

United States Patent [19]

Imahashi

[11] Patent Number: **Des. 309,742**

[45] Date of Patent: **** Aug. 7, 1990**

[54] **TWO SPINDLE FACETER**

[76] Inventor: **Takahiro Imahashi**, 3-21-25,
Higashi-Motomachi, Kokubunji,
Tokyo, Japan

[**] Term: **14 Years**

[21] Appl. No.: **30,611**

[22] Filed: **Mar. 27, 1987**

[30] **Foreign Application Priority Data**

Nov. 10, 1986 [JP] Japan 61-44414

[52] U.S. Cl. **D15/140; D15/126;**
D15/126

[58] Field of Search D15/139, 138, 140, 124,
D15/125; 51/216 R, 229, 125

[56] **References Cited**

U.S. PATENT DOCUMENTS

D. 254,199	2/1980	Beeman	D15/125
1,103,698	7/1914	Soetens	51/229
2,569,592	10/1951	West	51/229
2,724,220	11/1955	Shaw	51/125
3,559,349	2/1971	Imahashi	51/229

3,650,074	3/1972	Weinz	51/229
4,263,753	4/1981	Imahashi	51/229

FOREIGN PATENT DOCUMENTS

564111	2/1958	Belgium	51/229
--------	--------	---------	-------	--------

Primary Examiner—Bruce W. Dunkins
Assistant Examiner—Jeffrey Asch
Attorney, Agent, or Firm—Wenderoth, Lind & Ponack

[57] **CLAIM**

The ornamental design for a two spindle faceter, as shown and described.

DESCRIPTION

FIG. 1 is a front elevational view of a two spindle faceter showing my new design;
FIG. 2 is a top plan view of FIG. 1;
FIG. 3 is a side elevational view taken from the left of FIG. 1;
FIG. 4 is a side elevational view taken from the right of FIG. 1;
FIG. 5 is a rear elevational view of FIG. 1;
FIG. 6 is a bottom plan view of FIG. 1; and
FIG. 7 is a perspective view showing the faceting machine in an alternate position for use.

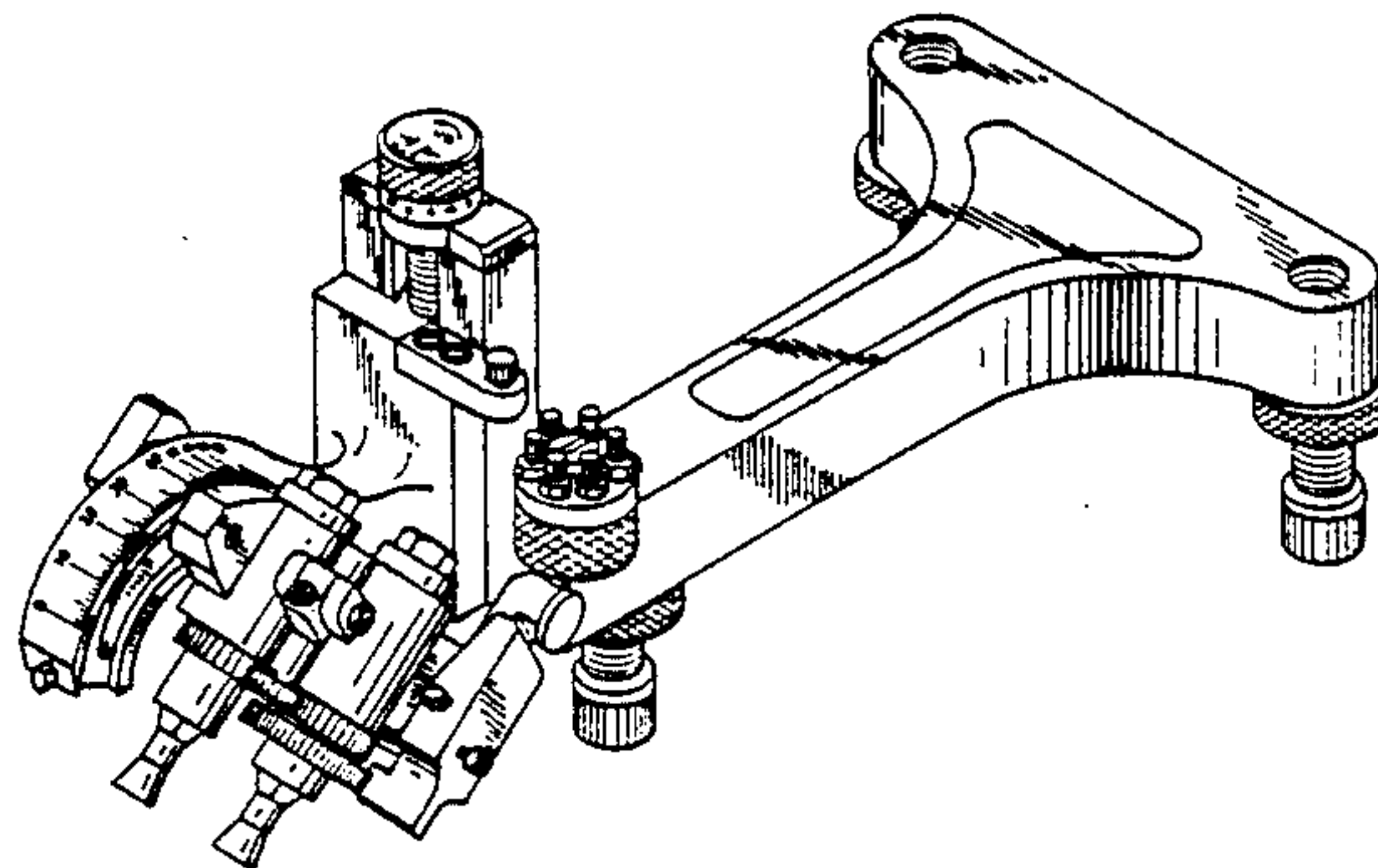


FIG. 1

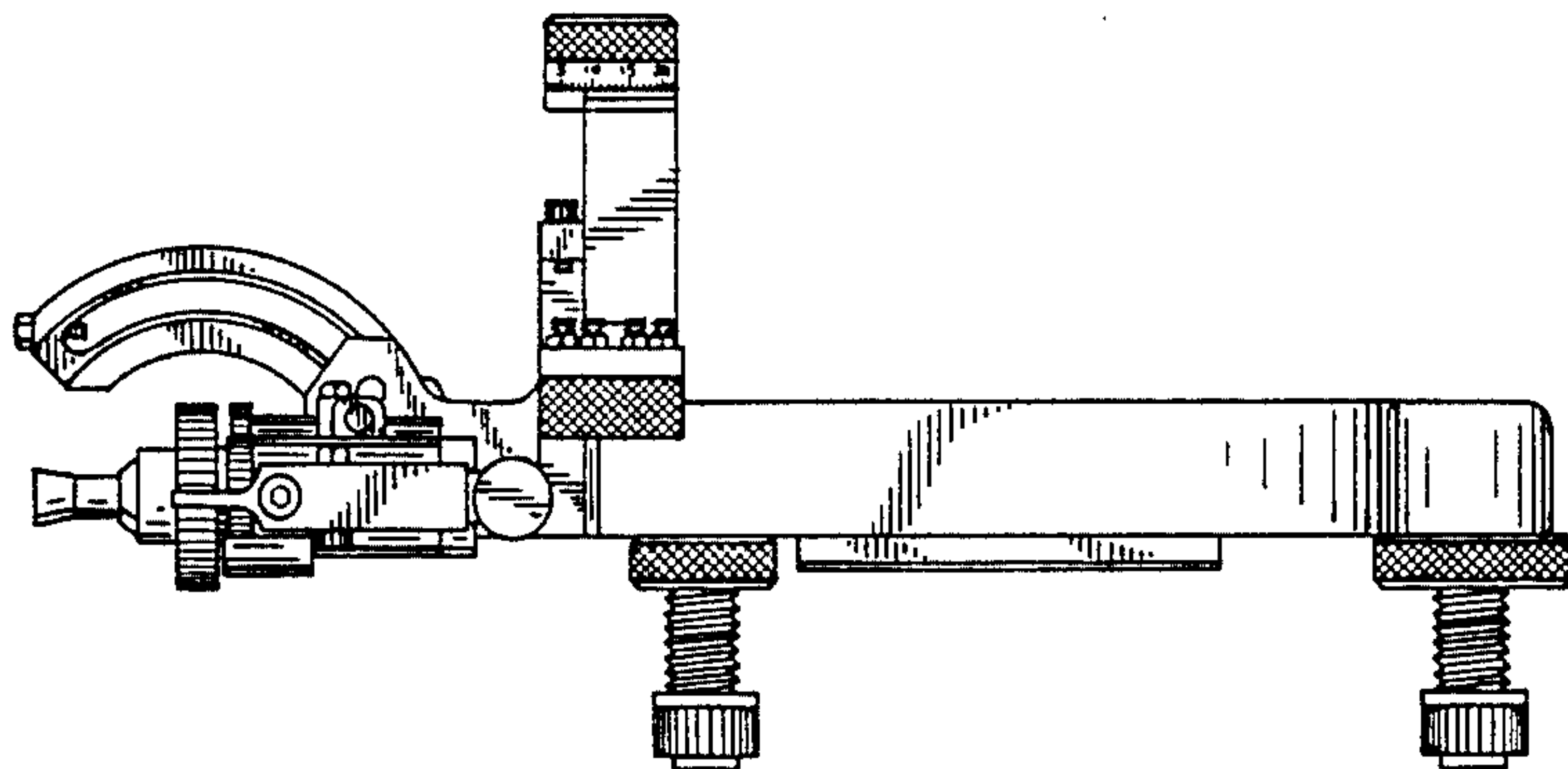


FIG. 2

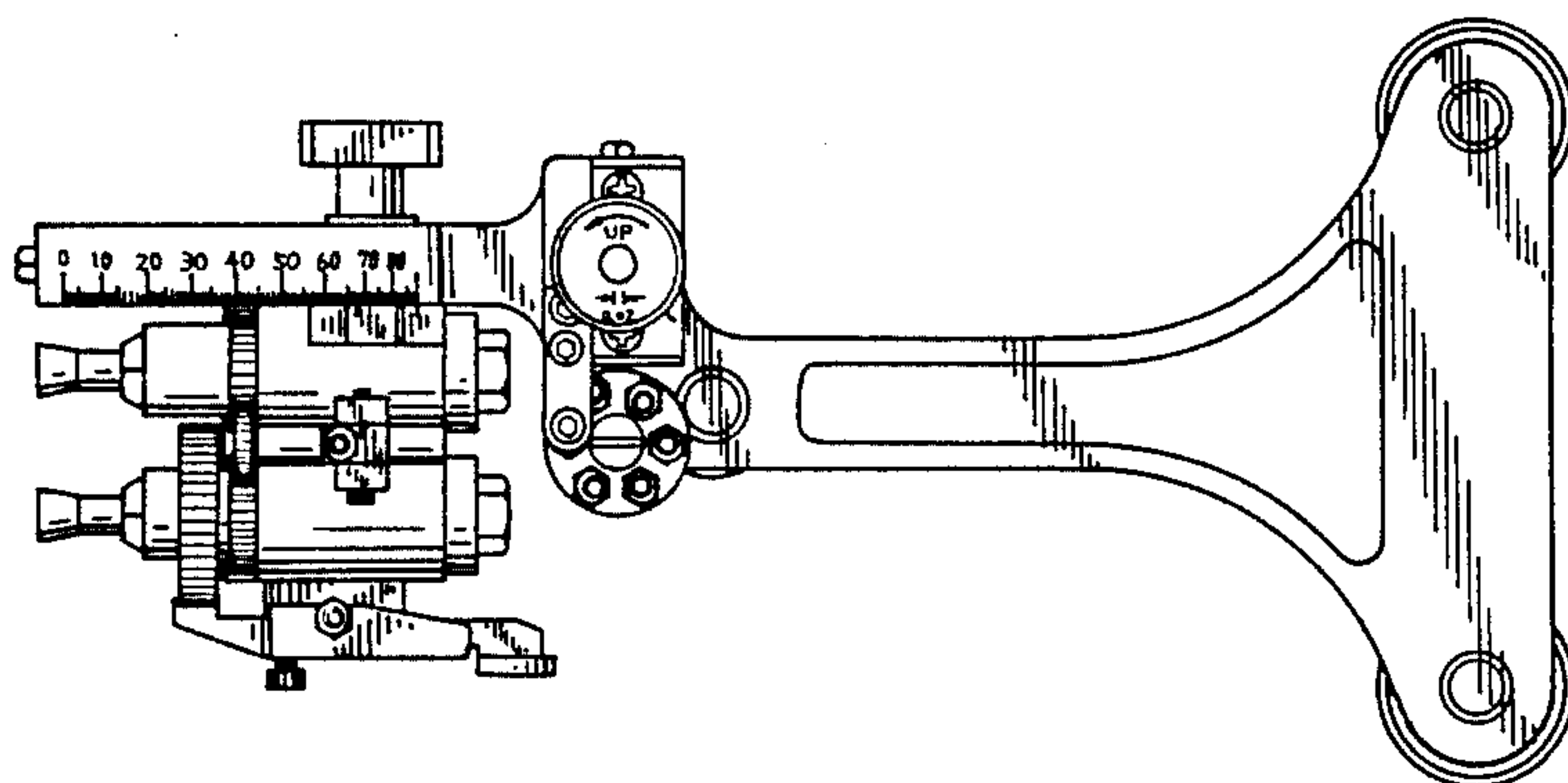


FIG. 3

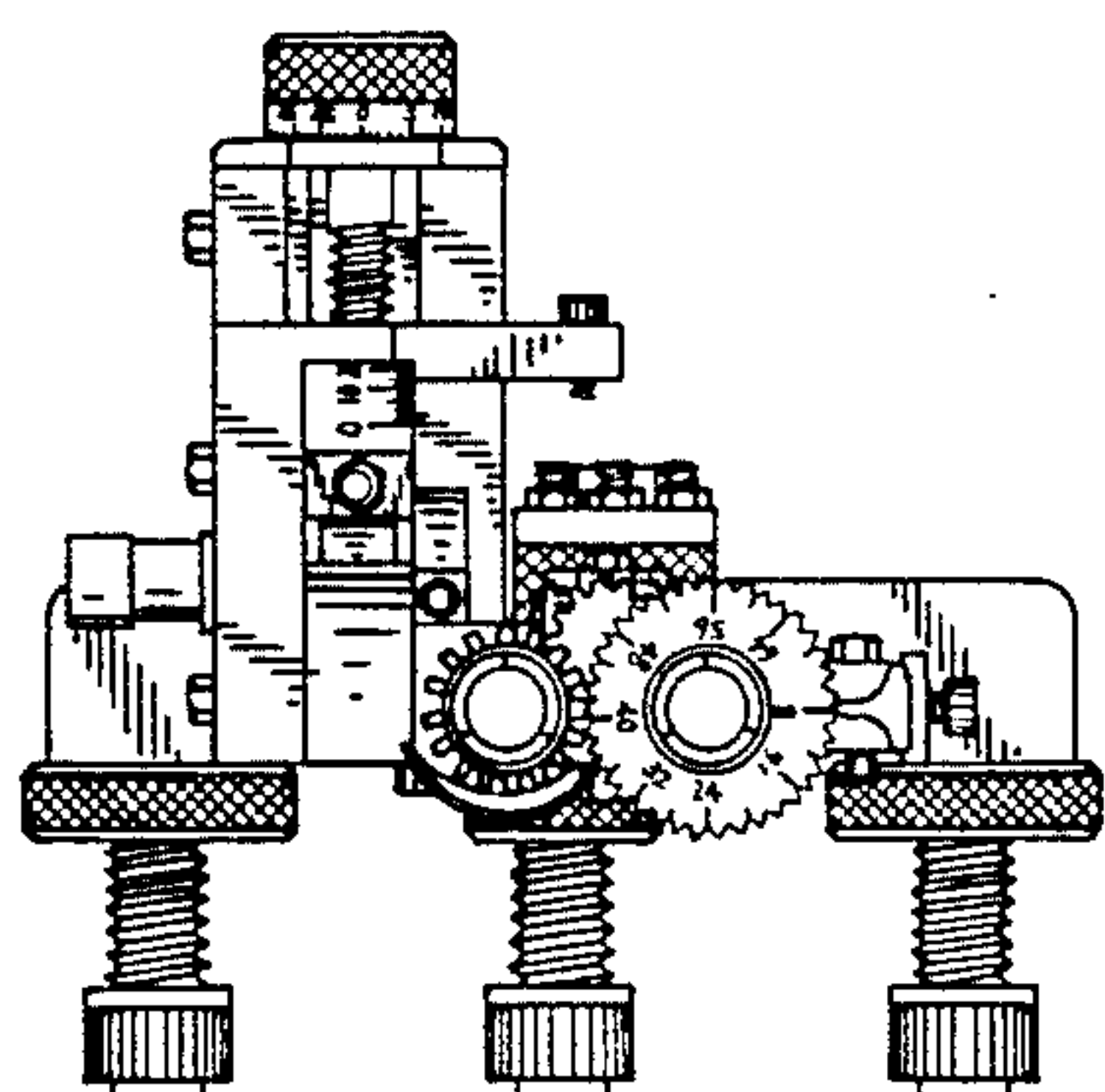


FIG. 4

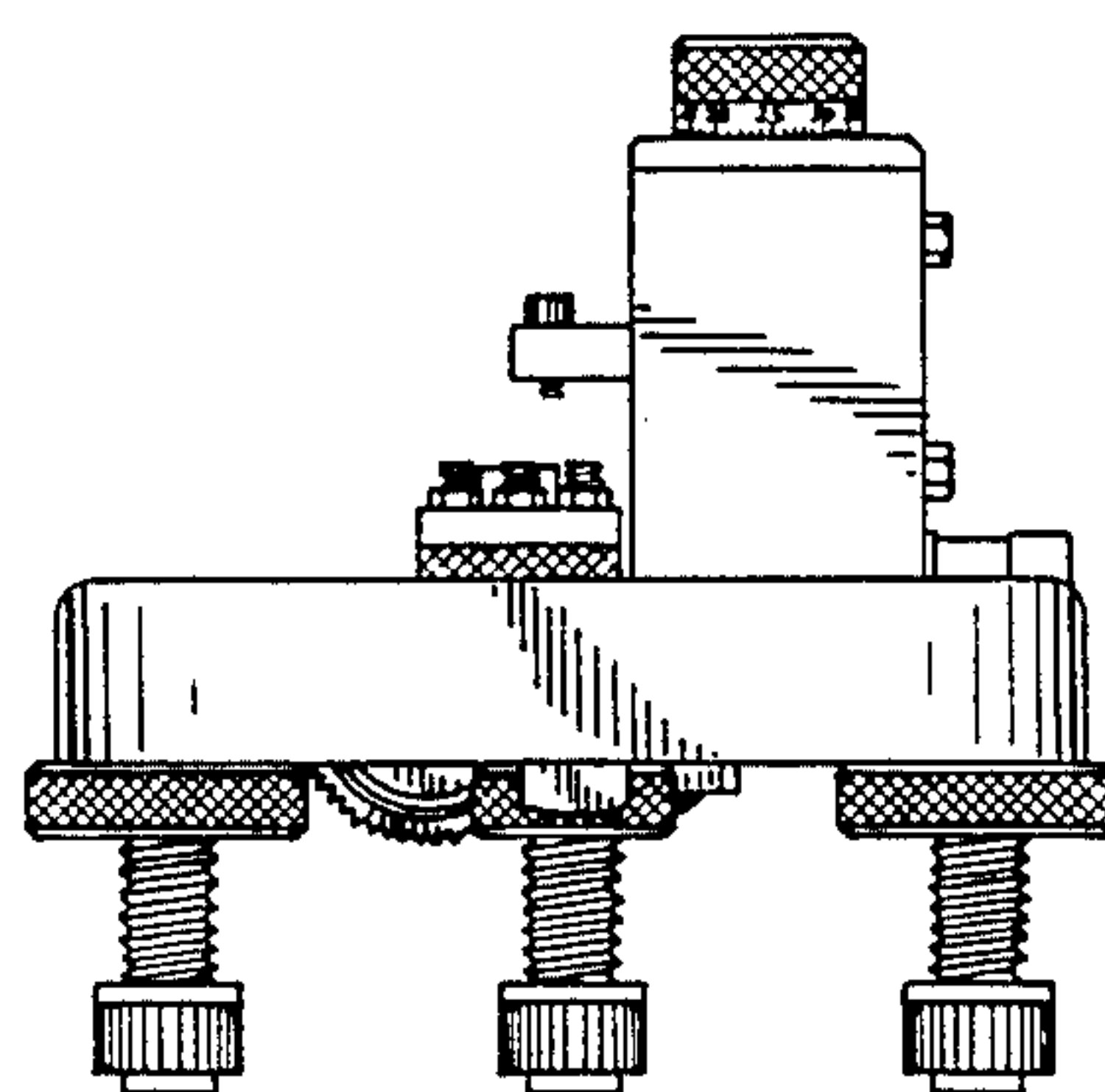


FIG. 5

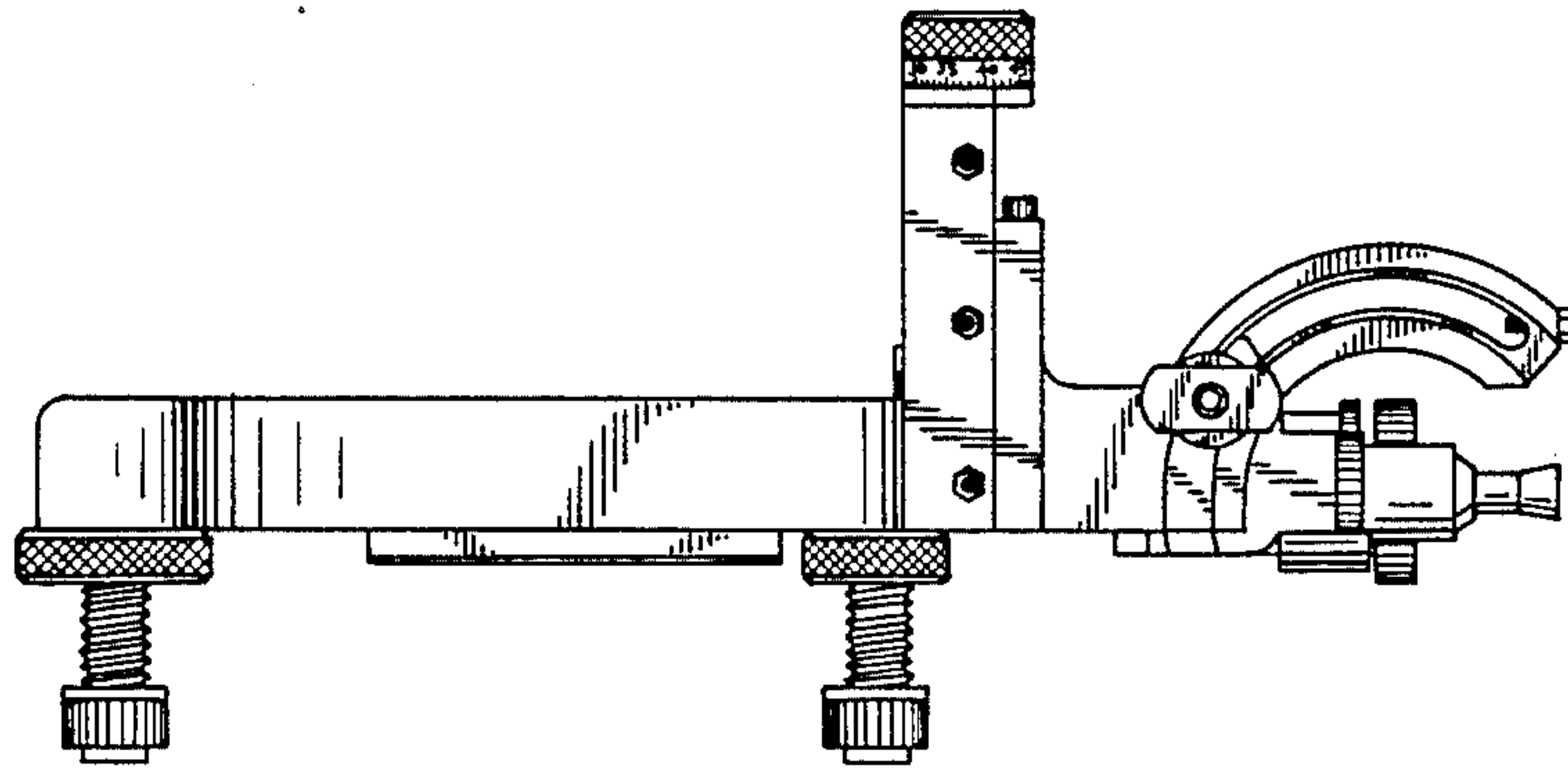


FIG. 6

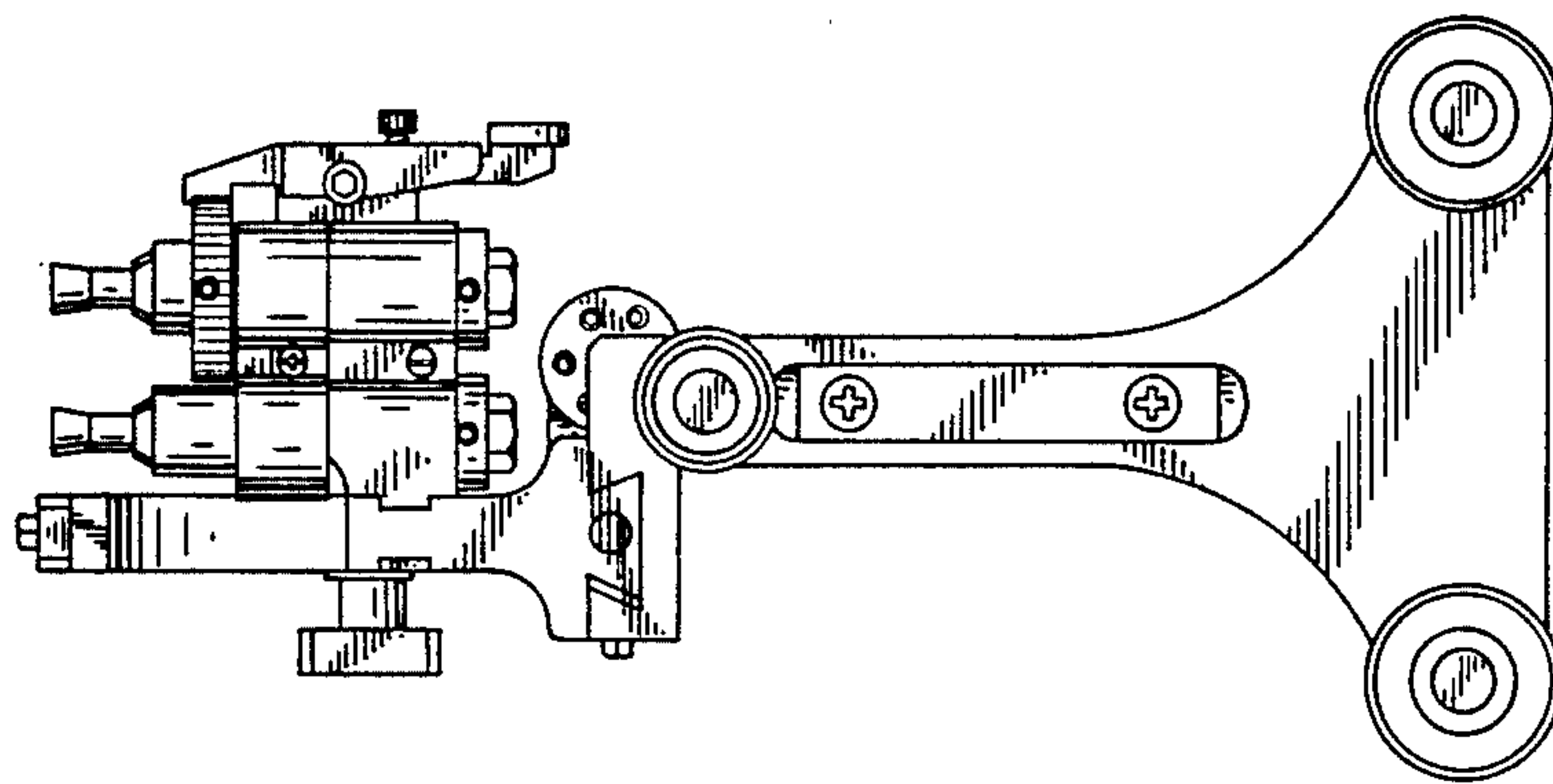


FIG. 7

