

[54] WOOD LATHE

[75] Inventors: Robert W. Arehart; Raymond W. Peeler; Keith F. Kraus, all of Chicago, Ill.; Roger O. Claghorn, Florissant, Mo.

[73] Assignee: Emerson Electric Co., St. Louis, Mo.

[**] Term: 14 Years

[21] Appl. No.: 283,935

[22] Filed: Dec. 12, 1988

[52] U.S. Cl. D15/130

[58] Field of Search D15/130, 122; 144/1 C, 144/365; 142/1, 21, 36; 82/117; 474/114

[56] References Cited

U.S. PATENT DOCUMENTS

D. 142,812	11/1945	Andresen	D15/130
D. 176,960	2/1956	Linder	D15/130
209,064	10/1878	Marsh	82/117 X
907,418	12/1908	Sheldon	82/117
1,240,474	9/1917	Moore et al.	82/117
1,758,023	5/1930	Bjorklund	82/117

2,005,101	6/1935	Merrigan	142/1
2,623,269	12/1952	Goldschmidt	29/27 B
4,548,246	10/1985	Leuler et al.	144/1 C

OTHER PUBLICATIONS

AMT Power Tools Plus Catalog, Fall 1986, pp. 4 and 5.

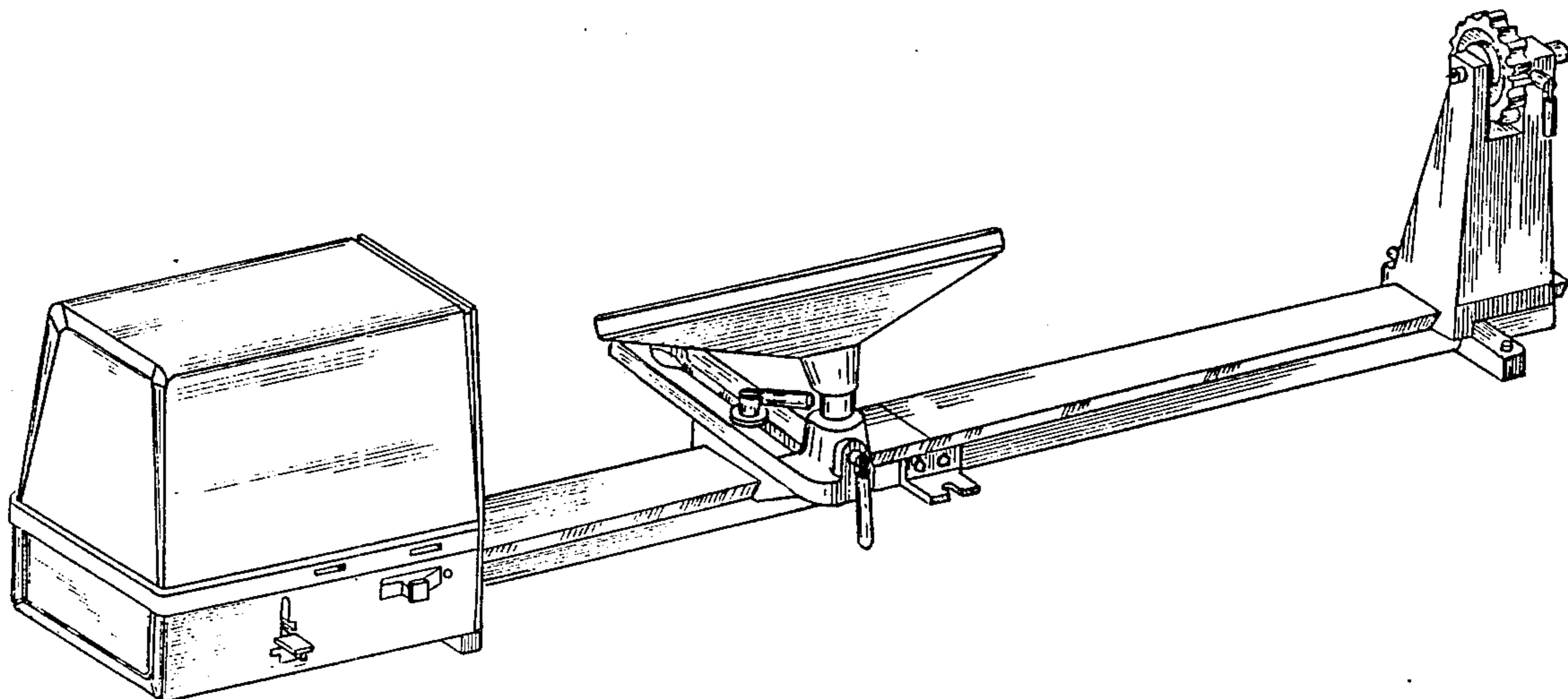
Primary Examiner—Carmen H. Vales-Lado
Assistant Examiner—Jeffrey Asch
Attorney, Agent, or Firm—Polster, Polster and Lucchesi

[57] CLAIM

The ornamental design for a wood lathe, as shown and described.

DESCRIPTION

FIG. 1 is a top, front and left side view of a wood lathe showing our new design;
FIG. 2 is a top plan view;
FIG. 3 is a bottom plan view;
FIG. 4 is a front elevational view;
FIG. 5 is a rear elevational view;
FIG. 6 is a left side elevational view on an enlarged scale; and
FIG. 7 is a right side elevational view on an enlarged scale thereof.



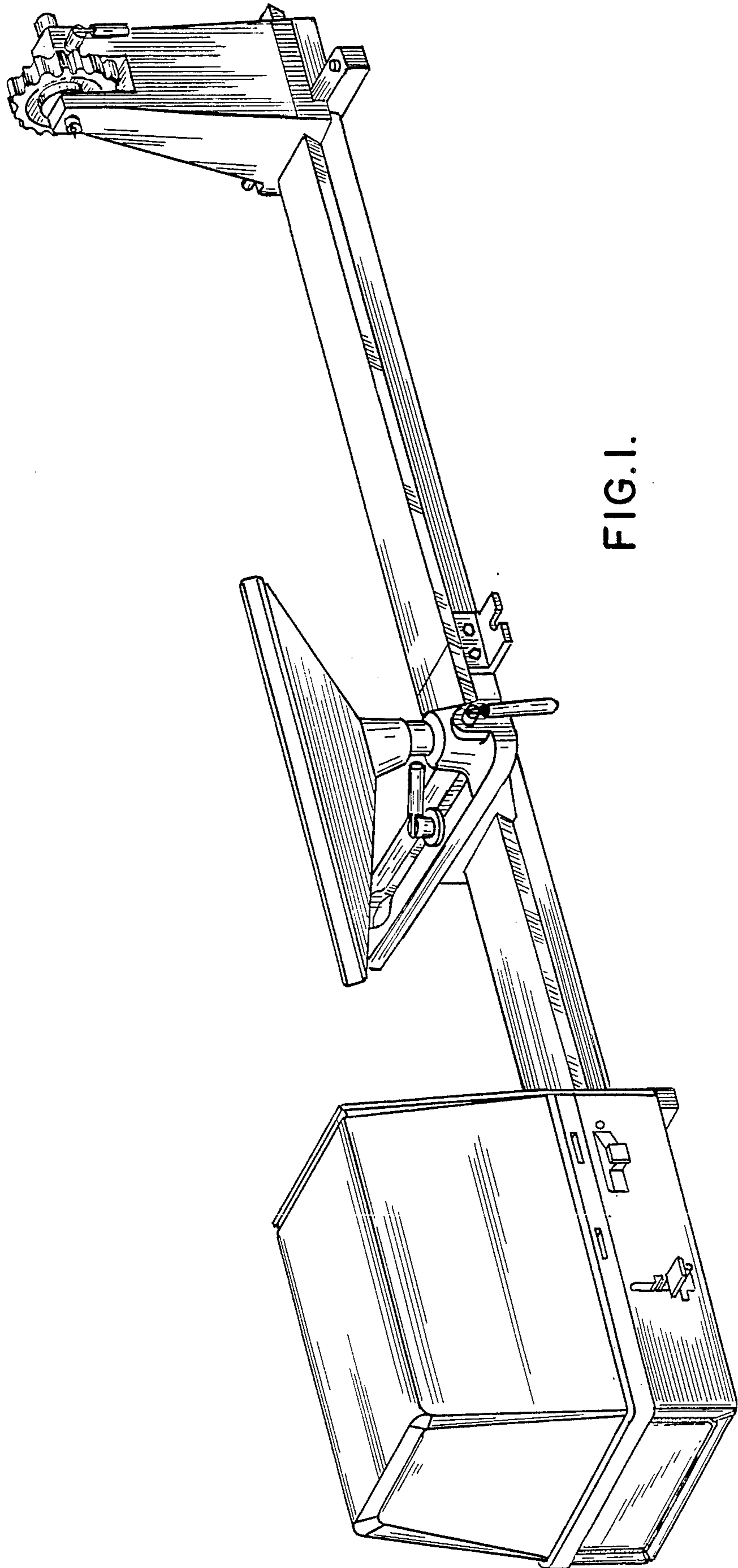


FIG. 1.

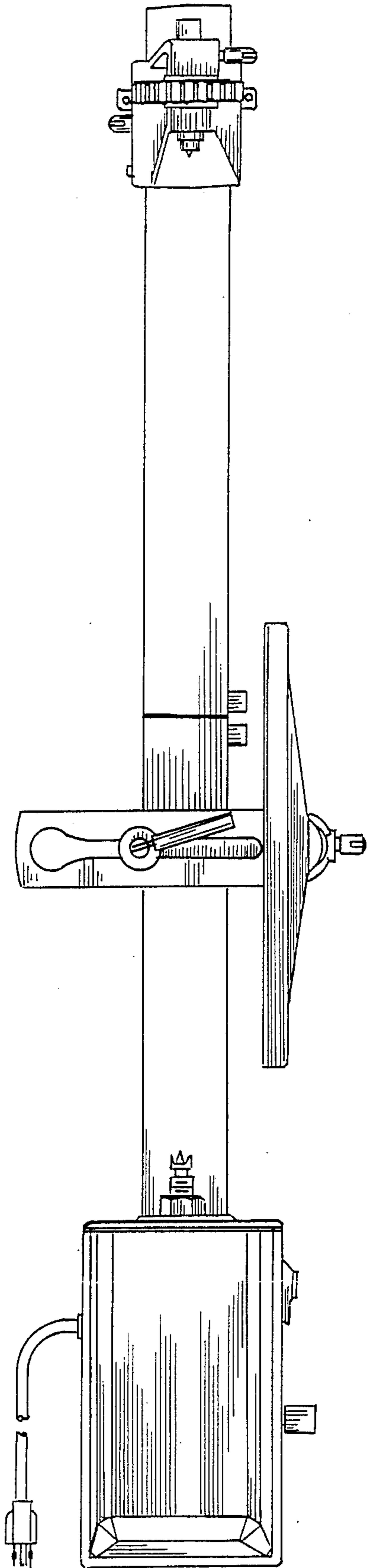


FIG. 2.

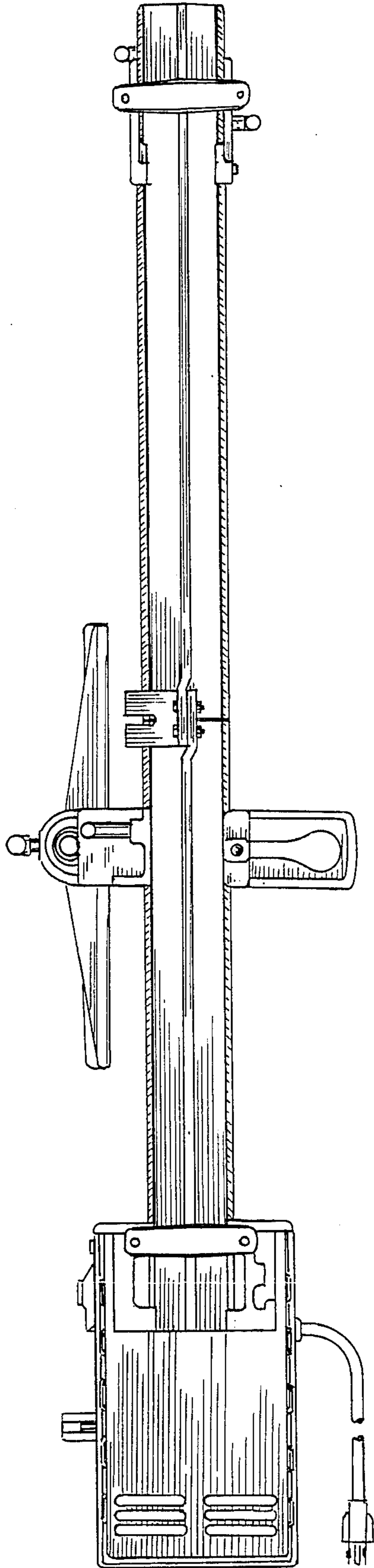


FIG. 3.

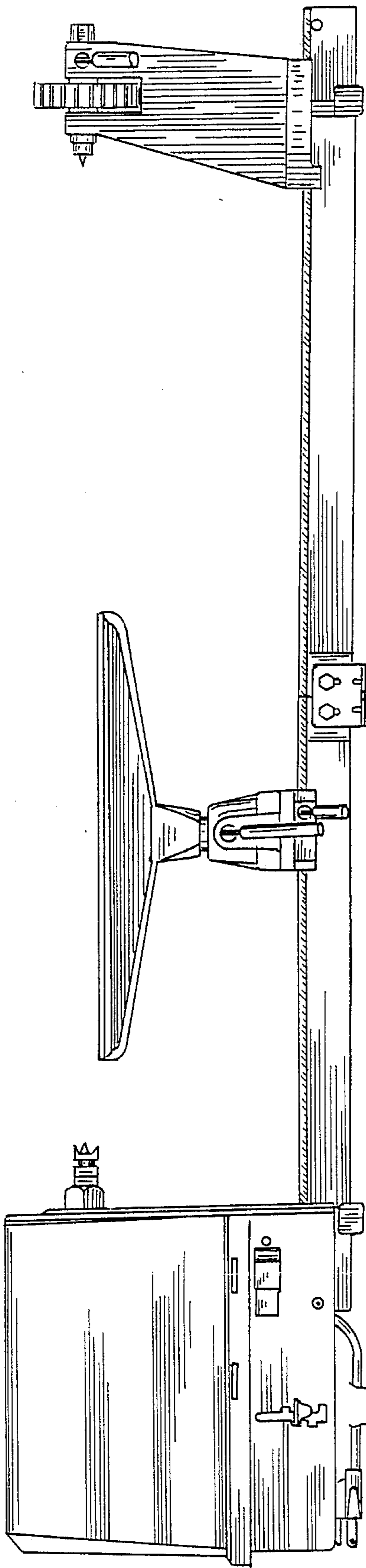


FIG. 4.

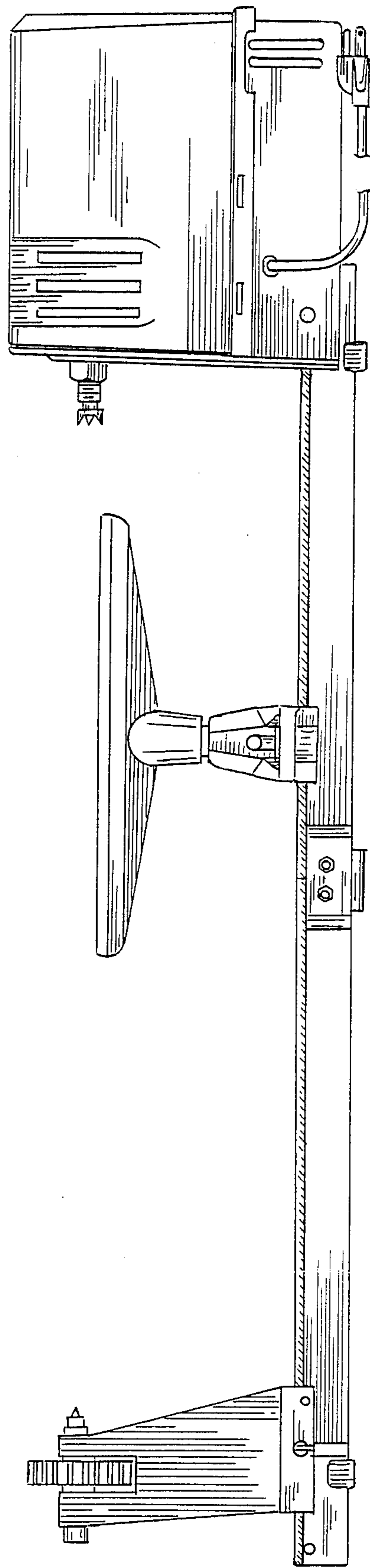


FIG. 5.

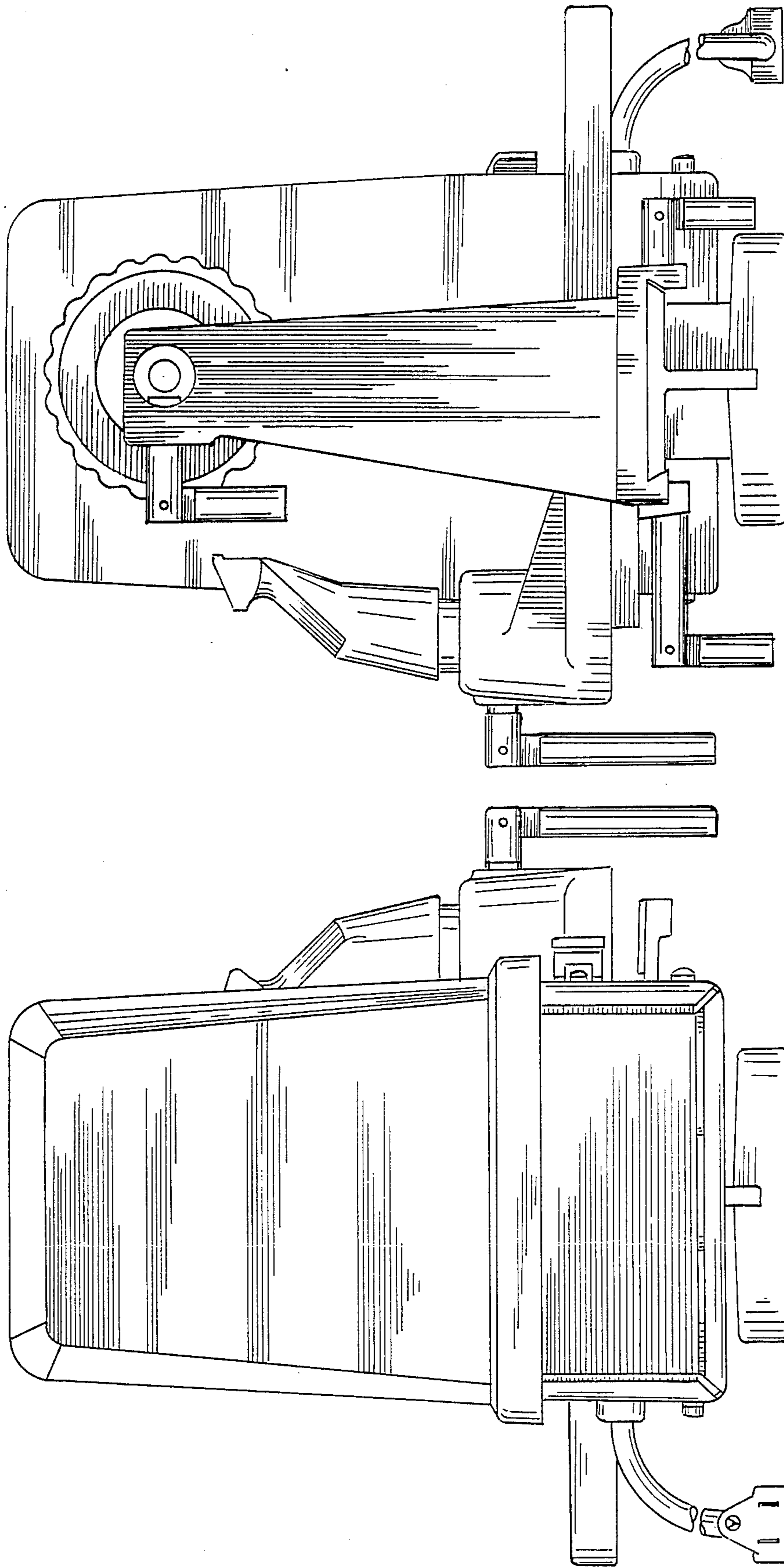


FIG. 7.

FIG. 6.