

United States Patent [19]

Moore, III

[11] Patent Number: **Des. 309,740**

[45] Date of Patent: **** Aug. 7, 1990**

[54] **MACHINE FOR SEPARATING FABRIC WITH HOT AIR**

[76] Inventor: **Edgar F. Moore, III, 4447 Old Randleman Rd., Greensboro, N.C. 27405**

[**] Term: **14 Years**

[21] Appl. No.: **245,077**

[22] Filed: **Sep. 16, 1988**

[52] U.S. Cl. **D15/77**

[58] Field of Search **D15/77, 144; 28/168, 28/170; 83/22, 170, 16, 913, 177; 26/7; 225/93.5; 422/285**

[56] **References Cited**

U.S. PATENT DOCUMENTS

4,722,121 2/1988 McPeak et al. 28/168

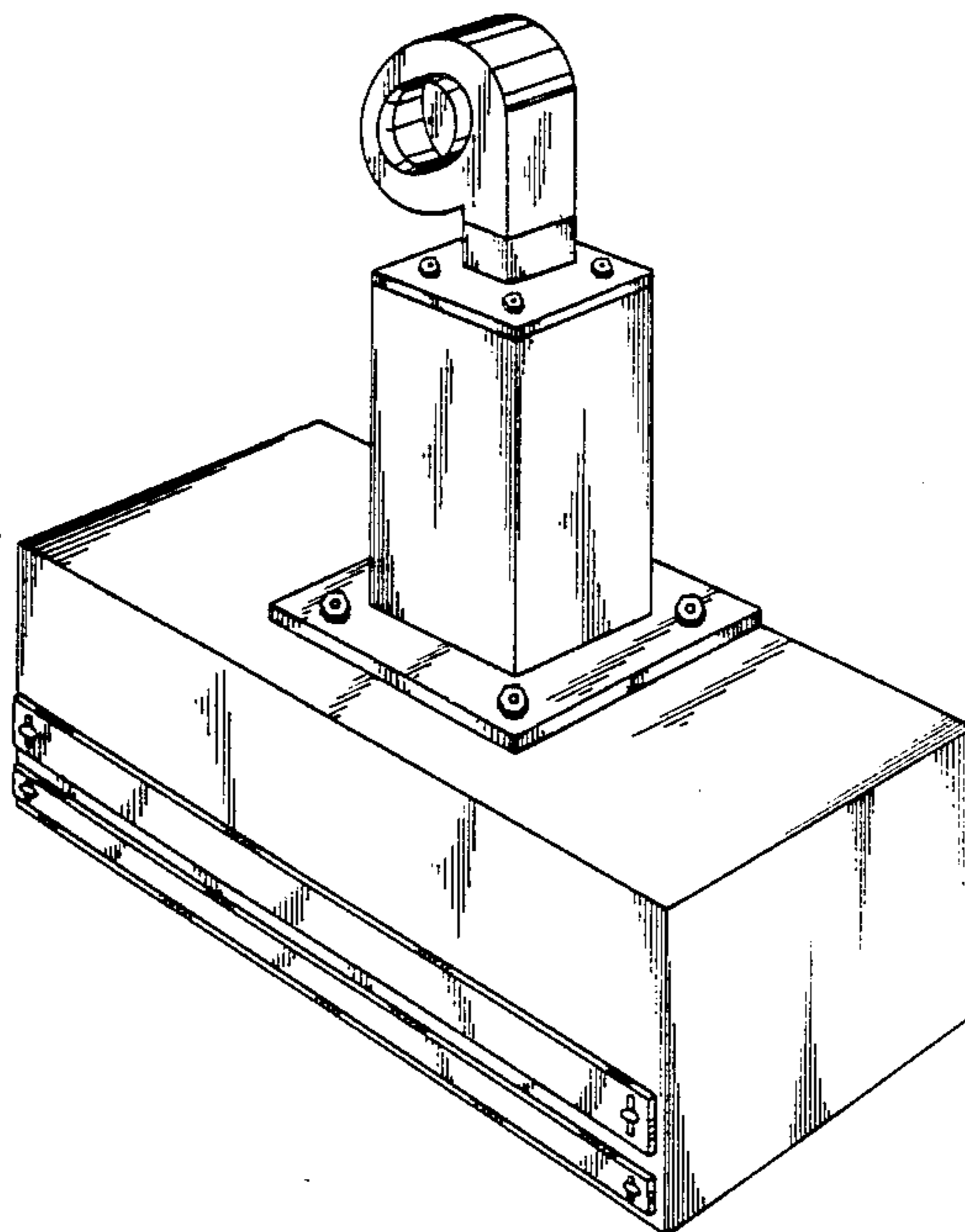
Primary Examiner—**B. J. Bullock**
Assistant Examiner—**Sandra Morris**

[57] **CLAIM**

The ornamental design for a machine for separating fabric with hot air, as shown and described.

DESCRIPTION

FIG. 1 is a front perspective view of a machine for separating fabric with hot air, showing my new design; FIG. 2 is a front elevational view thereof; FIG. 3 is a right side elevational view thereof; FIG. 4 is a rear elevational view thereof; FIG. 5 is a top plan view thereof.



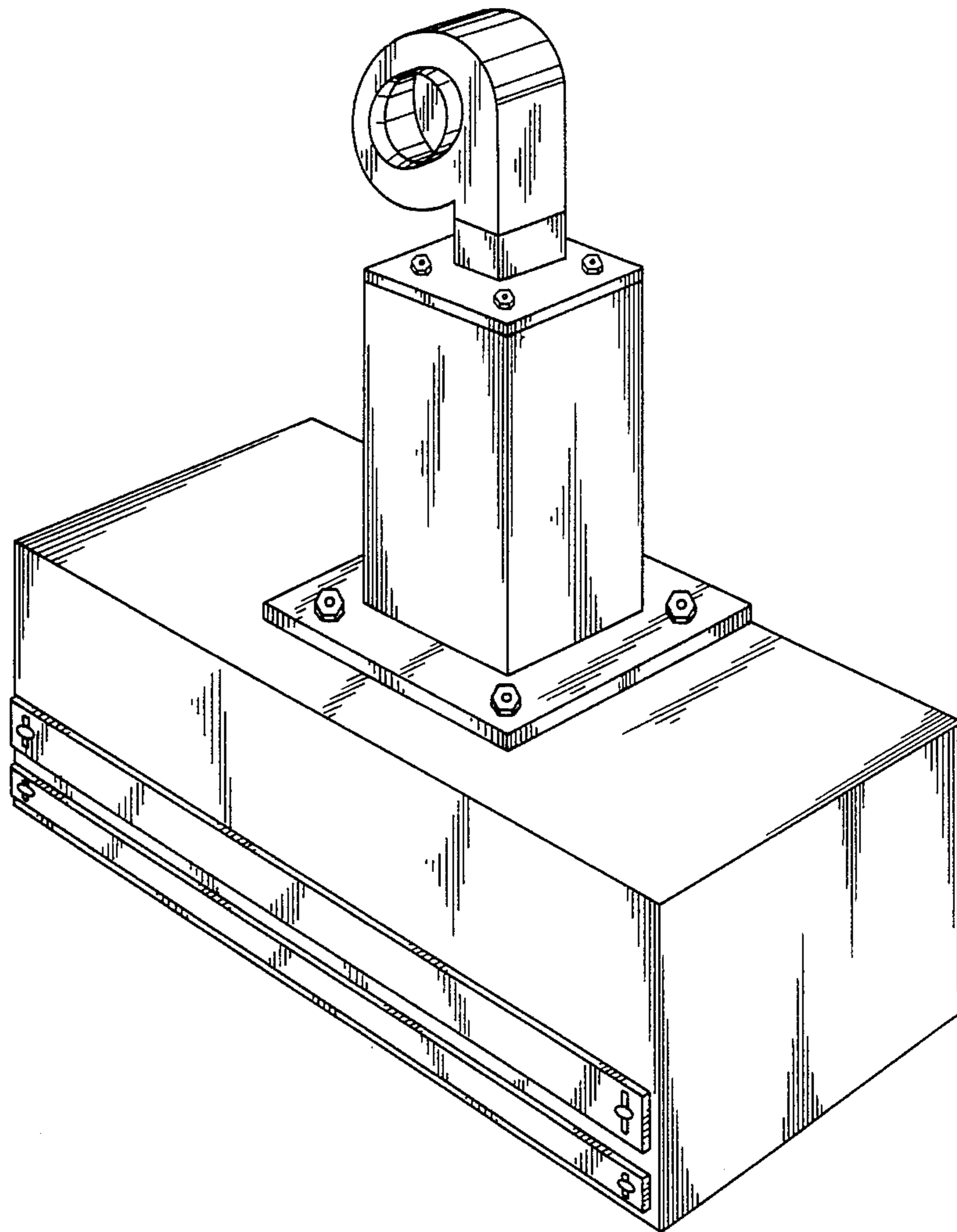


FIG. 1

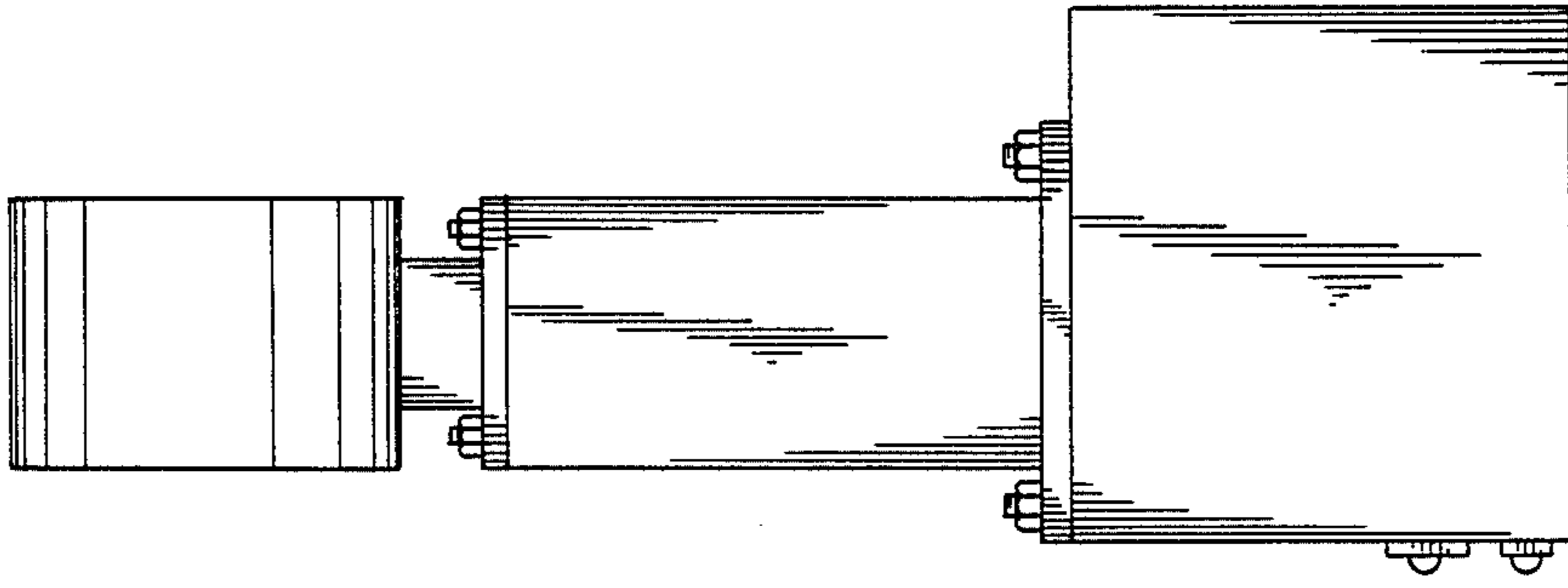


FIG. 3

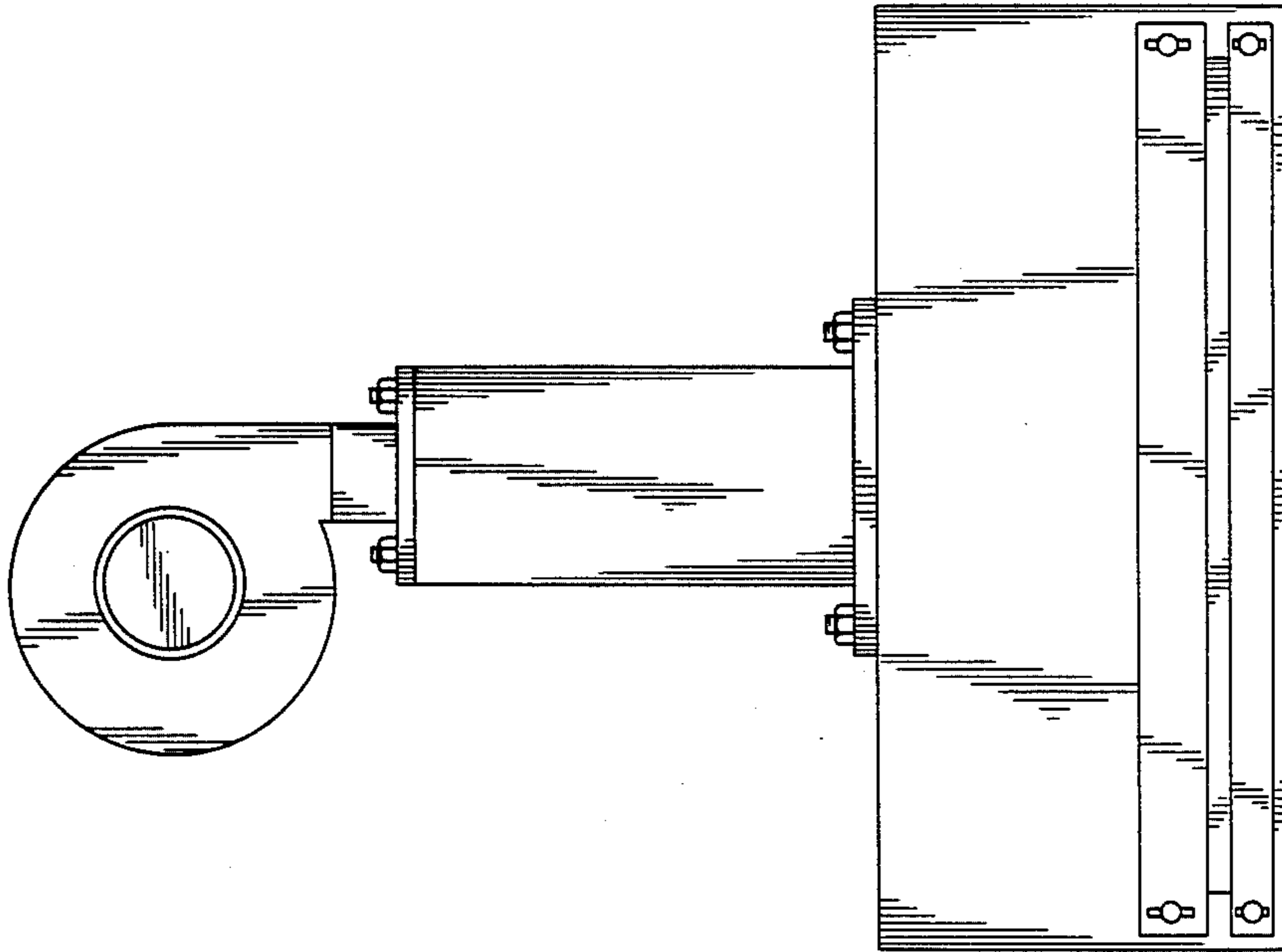


FIG. 2

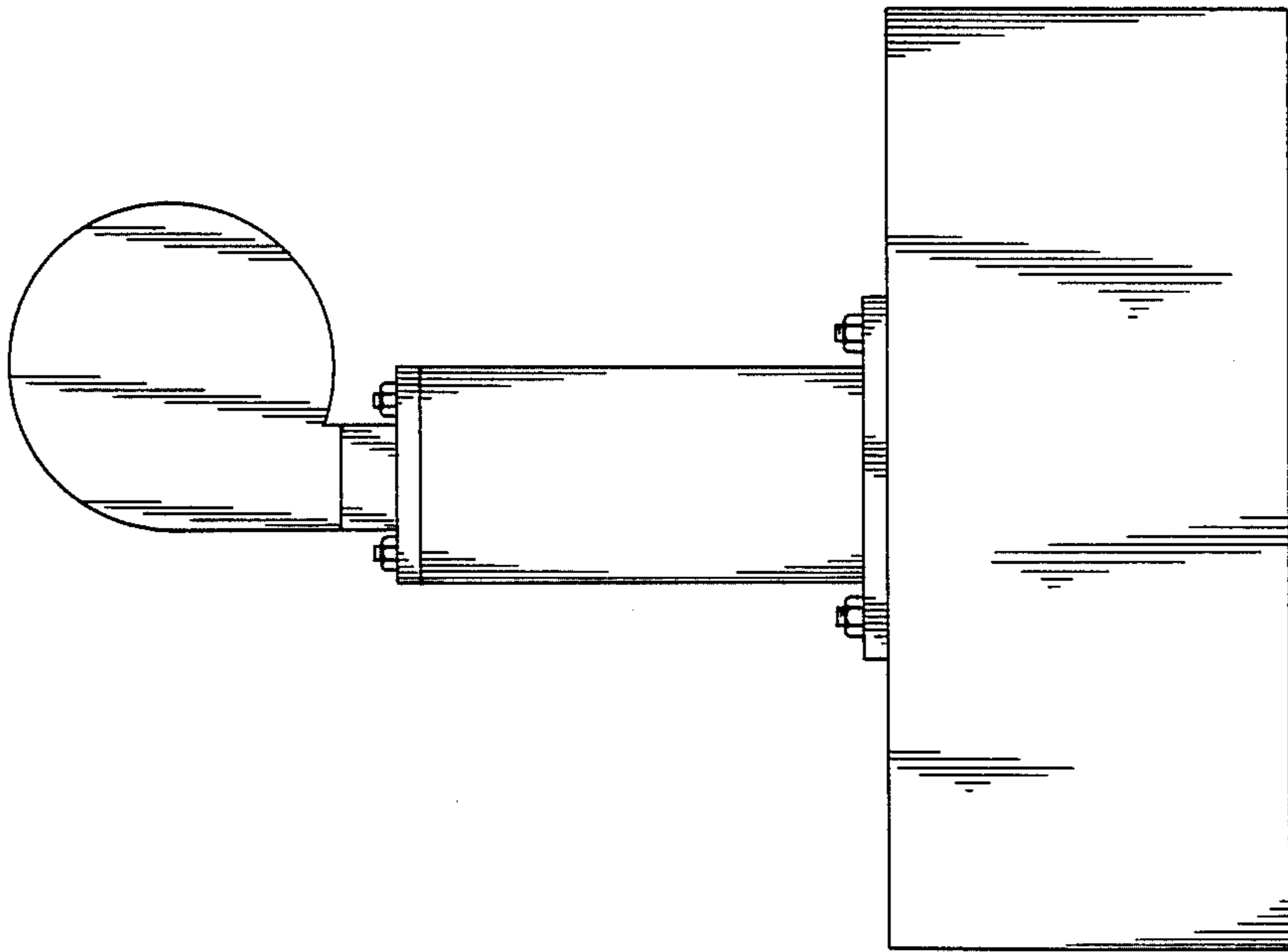


FIG. 4

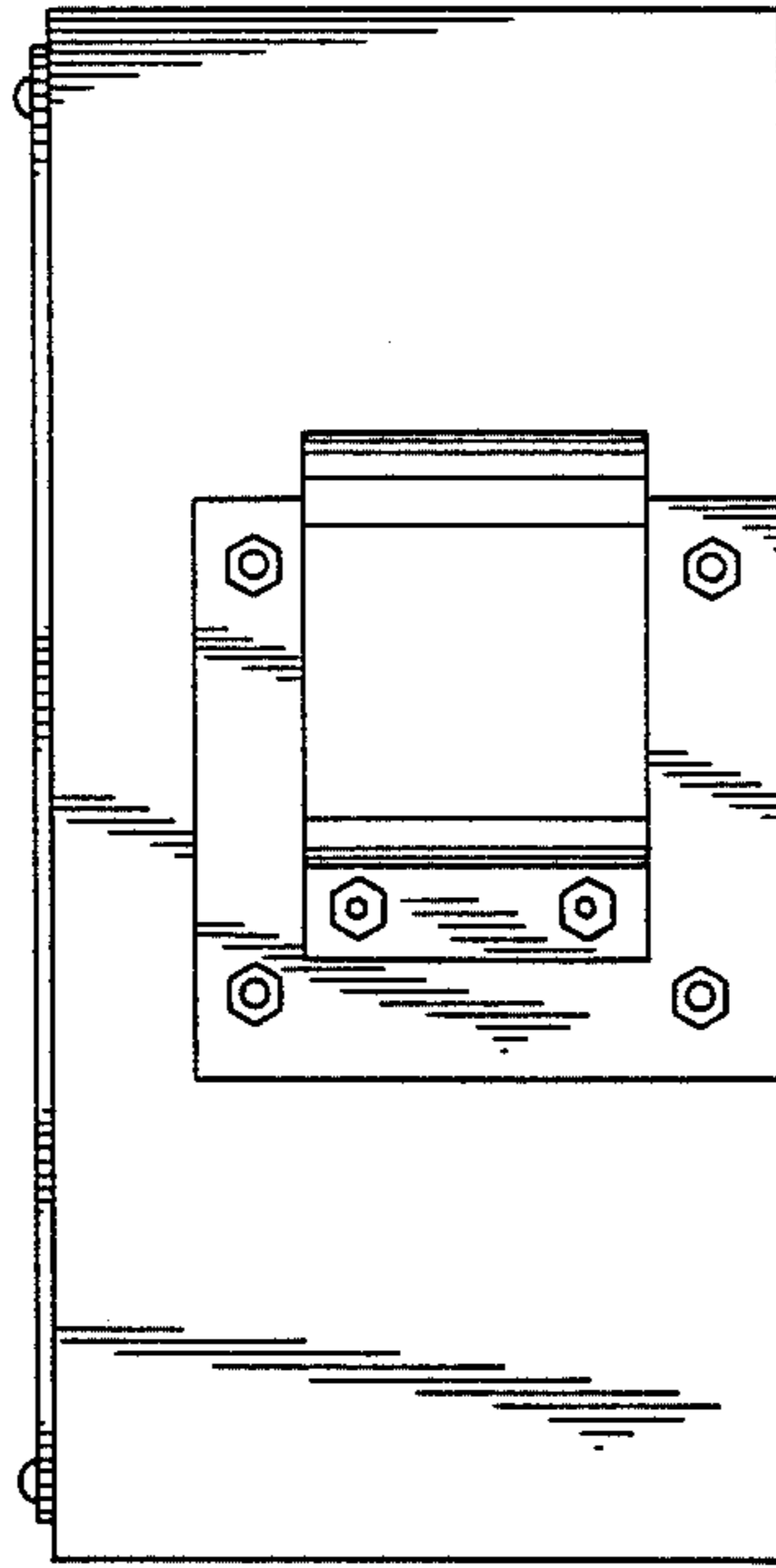


FIG. 5