

[54] SEWING MACHINE

4,407,461 10/1983 Tomisawa 242/134

[75] Inventors: Kazuo Itoh, Aichi; Yasuyo Isaji, Nagoya, both of Japan

Primary Examiner—B. J. Bullock
Assistant Examiner—Sandra Morris
Attorney, Agent, or Firm—Moonray Kojima

[73] Assignee: Brother Kogyo Kabushiki Kaisha, Nagoya, Japan

[57] CLAIM

[**] Term: 14 Years

The ornamental design for sewing machine, as shown and described.

[21] Appl. No.: 166,190

DESCRIPTION

[22] Filed: Mar. 10, 1988

[52] U.S. Cl. D15/69

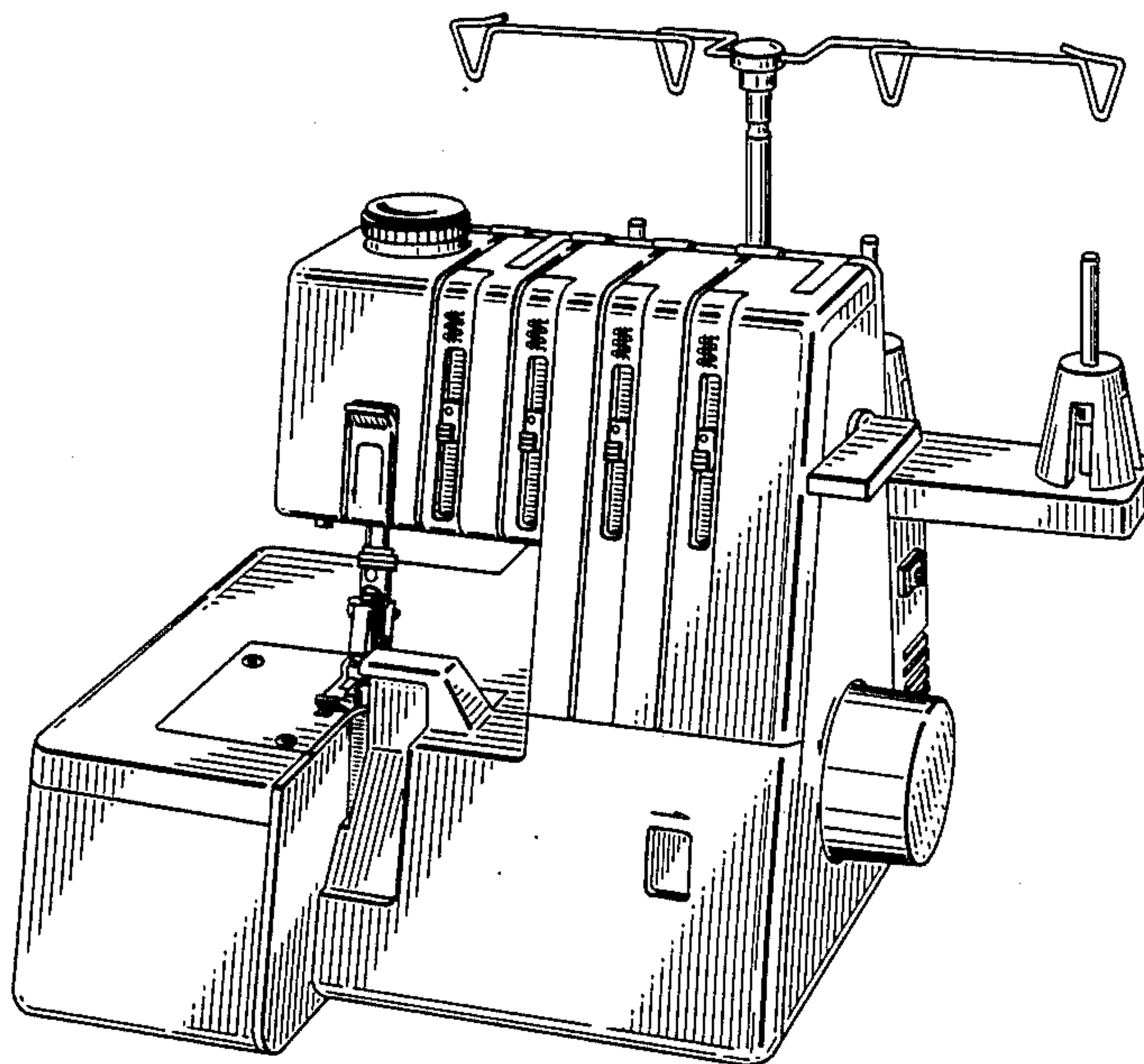
[58] Field of Search D15/66-76;
112/199, 217.1-217.4, 258-261, 262.1

FIG. 1 is a front elevational view of a sewing machine, showing my new design;
FIG. 2 is a rear elevational view thereof;
FIG. 3 is a left side elevational view thereof;
FIG. 4 is a right side elevational view thereof;
FIG. 5 is a top plan view thereof;
FIG. 6 is a bottom plan view thereof;
FIG. 7 is a perspective view thereof;

[56] References Cited

U.S. PATENT DOCUMENTS

D. 216,054 11/1969 Rosenfeld D15/76



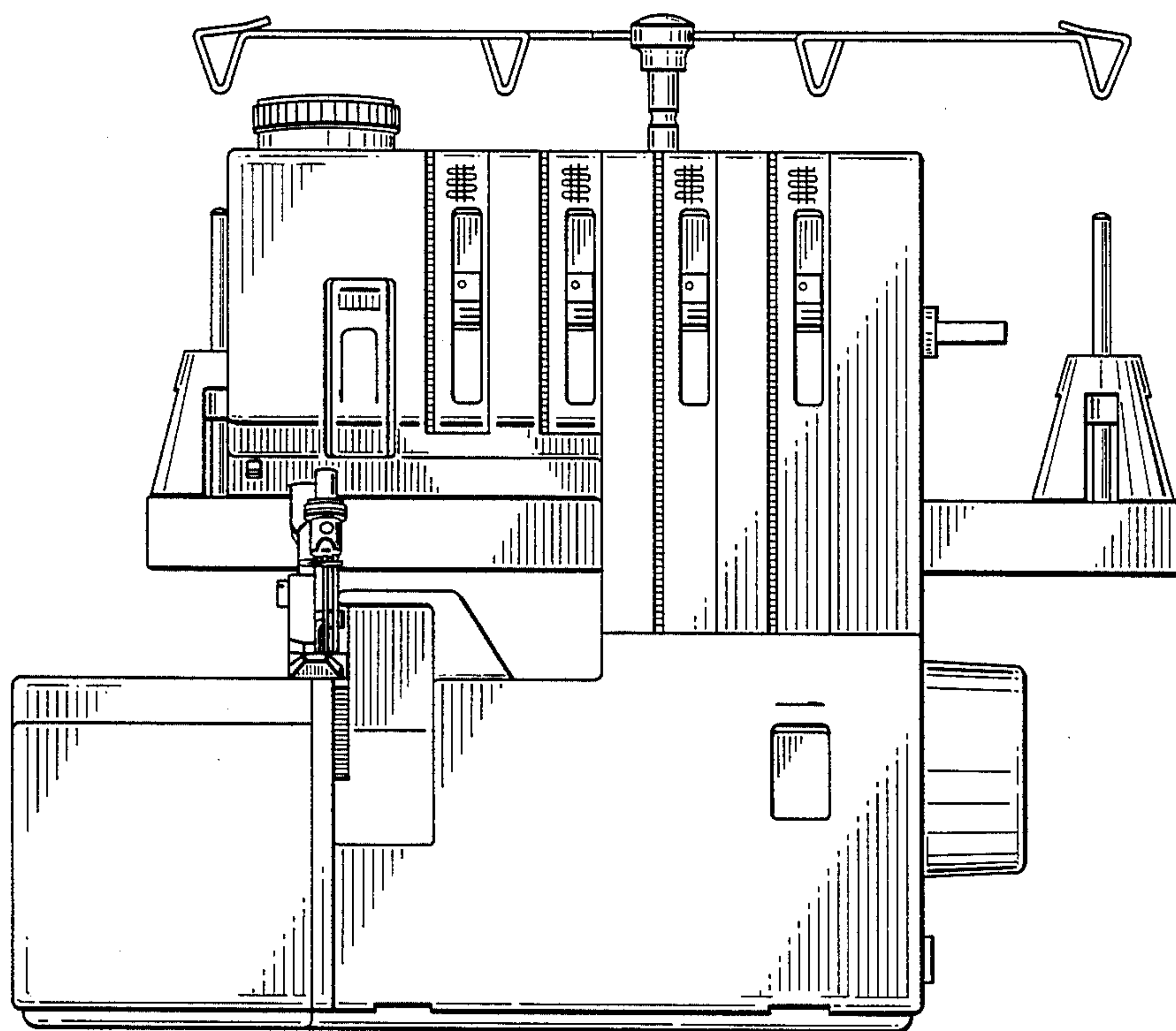


FIG. 1

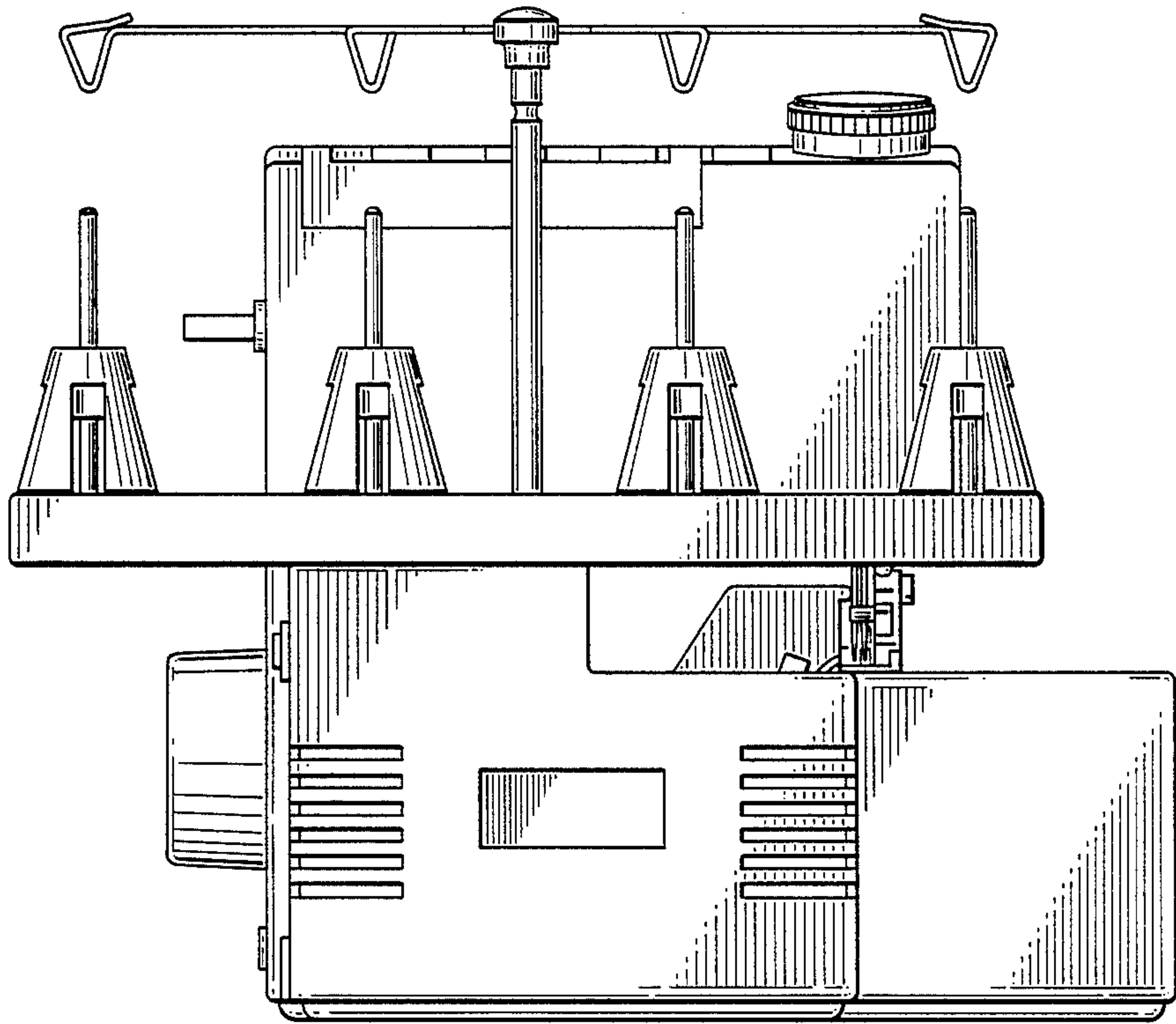


FIG. 2

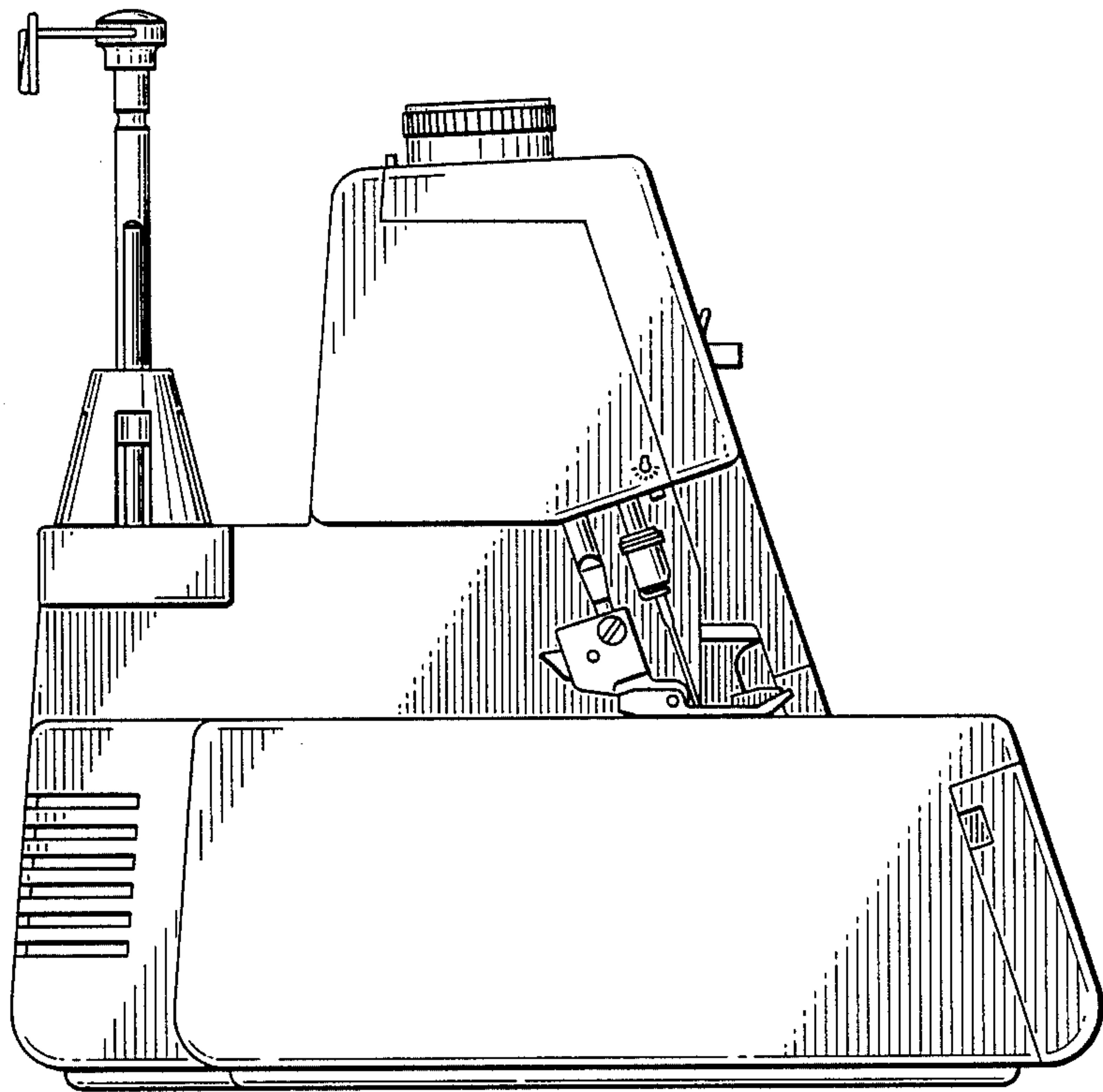


FIG. 3

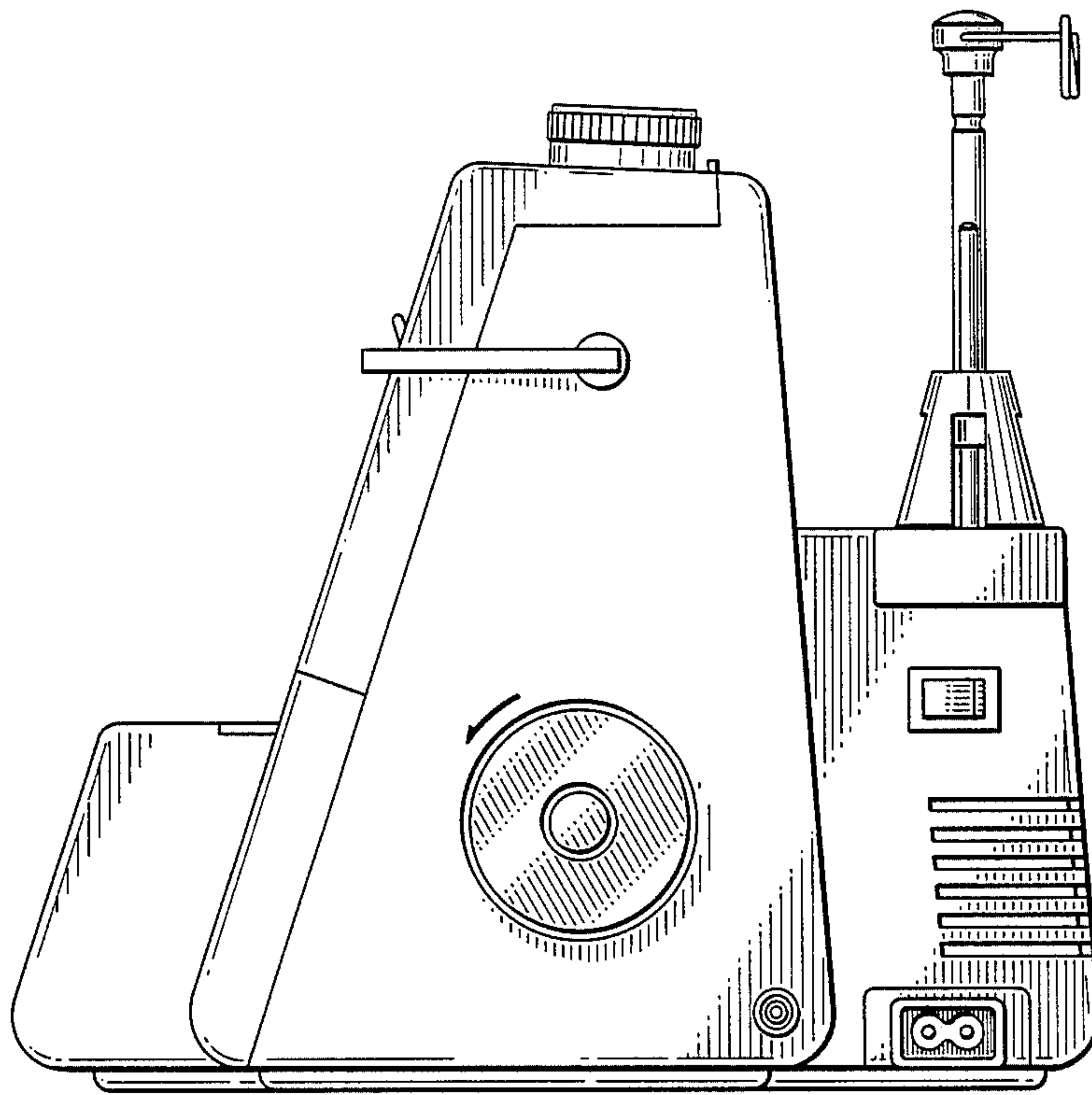


FIG. 4

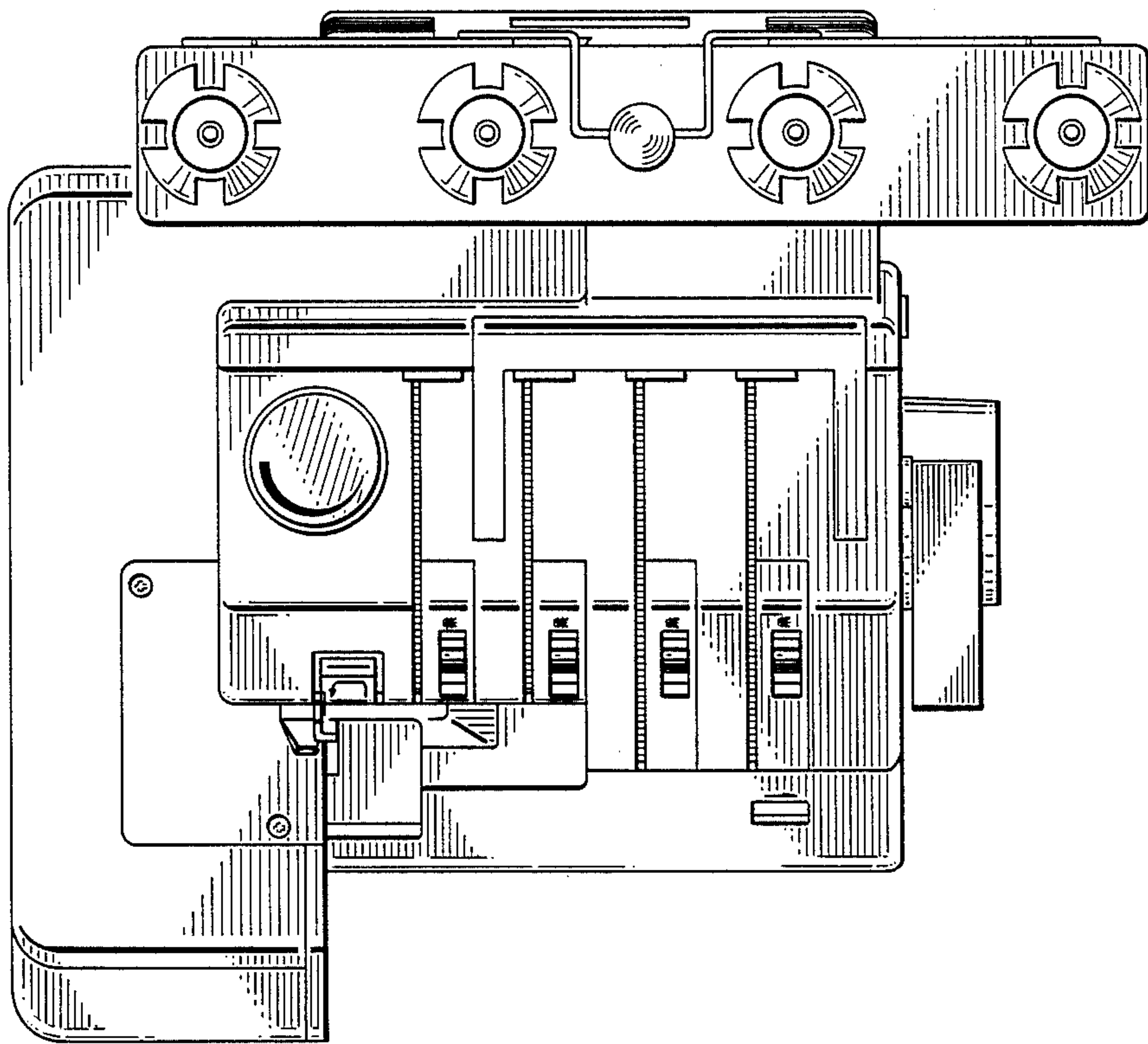


FIG. 5

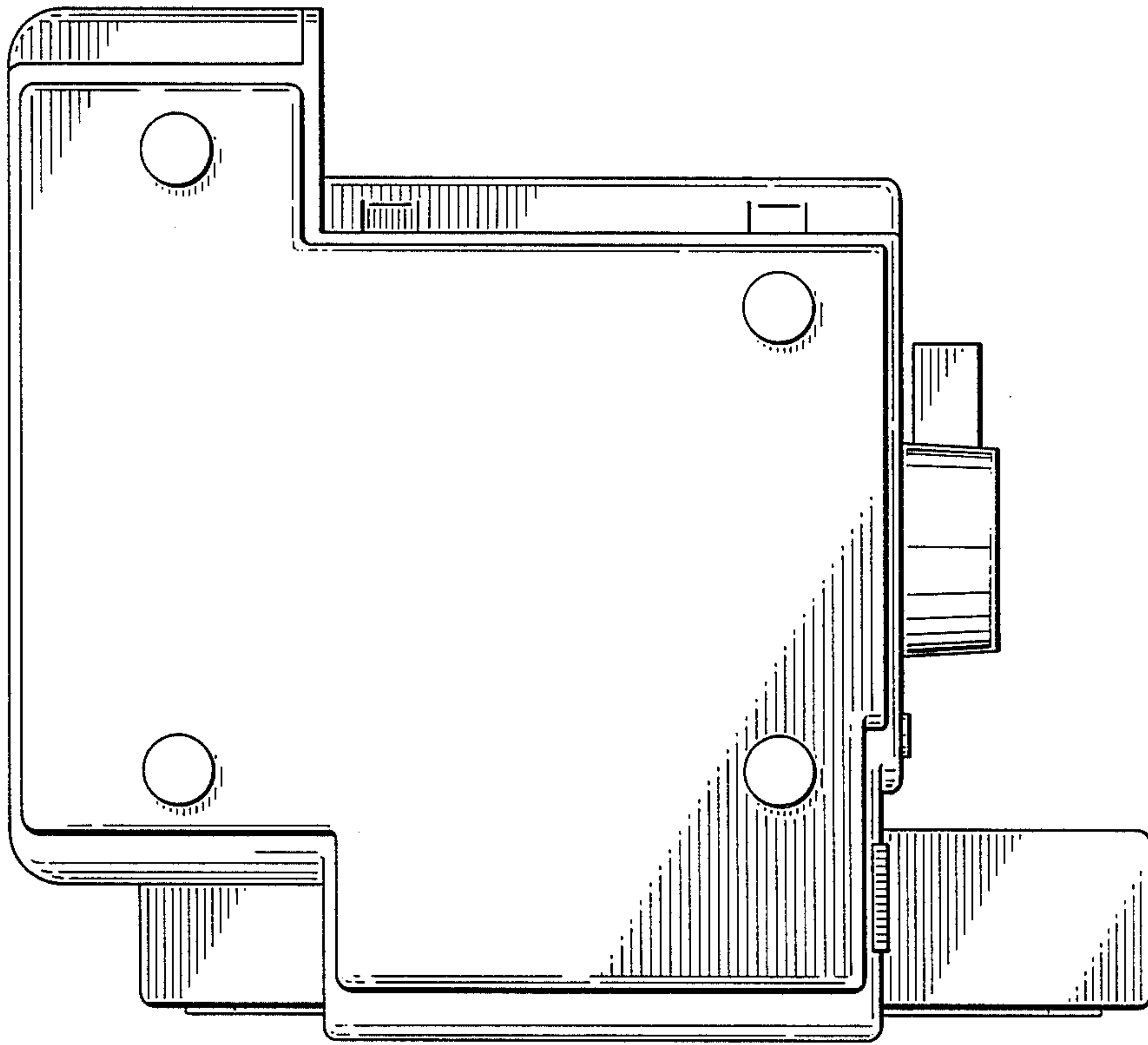


FIG. 6

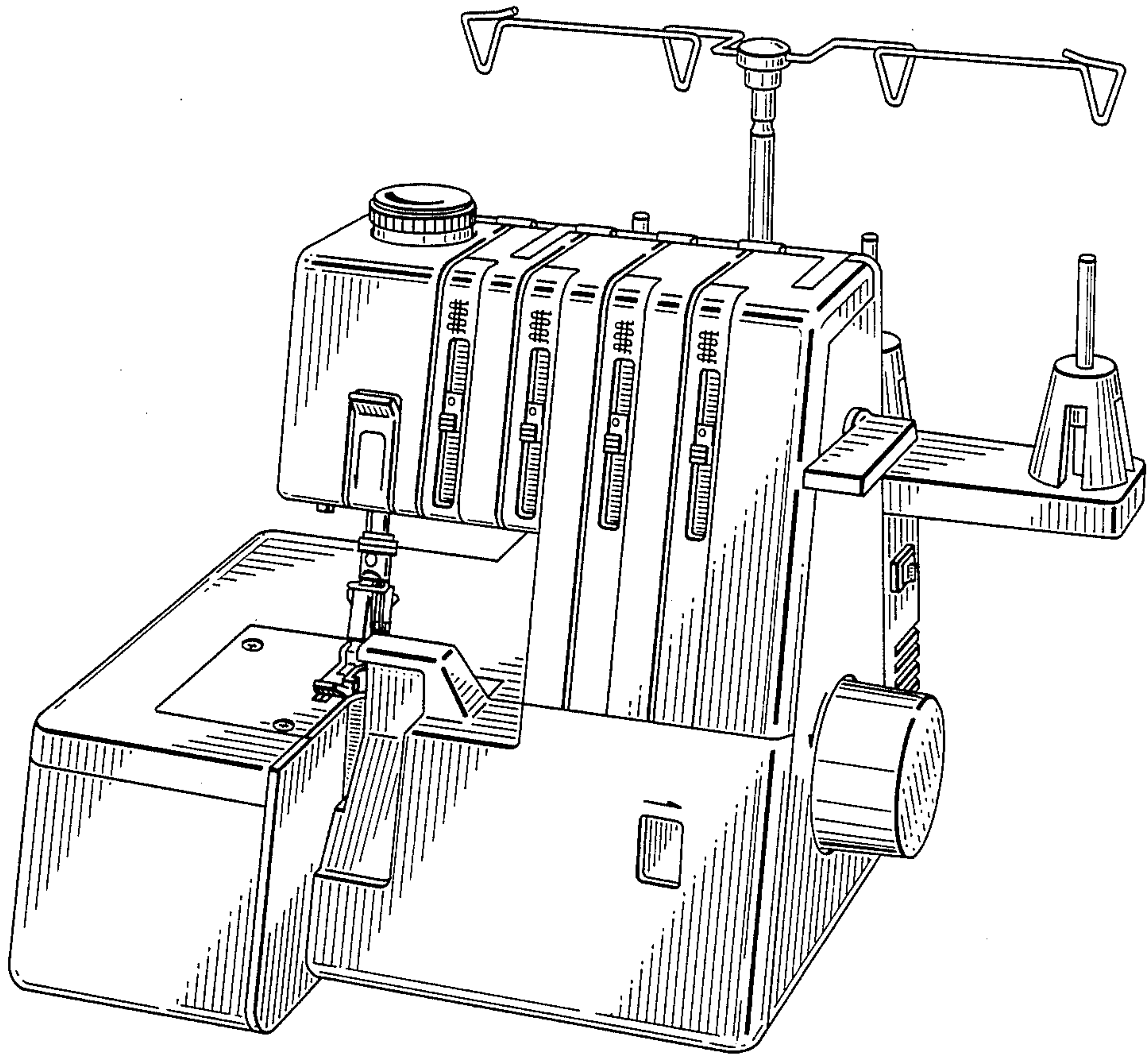


FIG. 7