

United States Patent [19]

Schober et al.

[11] Patent Number: **Des. 309,738**

[45] Date of Patent: **** Aug. 7, 1990**

[54] **SELF-PROPELLED THRESHER**

[75] Inventors: **Gunter Schober, Bautzen; Erhard Noack, Pottschaplitz; Winfried Richter, Singwitz; Horst Pinkau, Wilthen; Wolf-Carsten Löbel, Malschwitz, all of German Democratic Rep.**

[73] Assignee: **VEB Kombinat Fortschritt Landmaschinen, Neustadt, German Democratic Rep.**

[**] Term: **14 Years**

[21] Appl. No.: **909,407**

[22] Filed: **Sep. 18, 1986**

[30] **Foreign Application Priority Data**

Mar. 20, 1986 [DD] German Democratic Rep. U5152
[52] U.S. Cl. **D15/26**
[58] Field of Search D15/10, 26, 22, 23;
56/14.6

[56] **References Cited**

U.S. PATENT DOCUMENTS

2,695,485 4/1942 Krause et al. D15/26
3,645,074 2/1972 Rettig et al. 56/14.6
4,428,182 1/1984 Allen et al. 56/14.6

FOREIGN PATENT DOCUMENTS

2042315 3/1979 United Kingdom 56/14.6

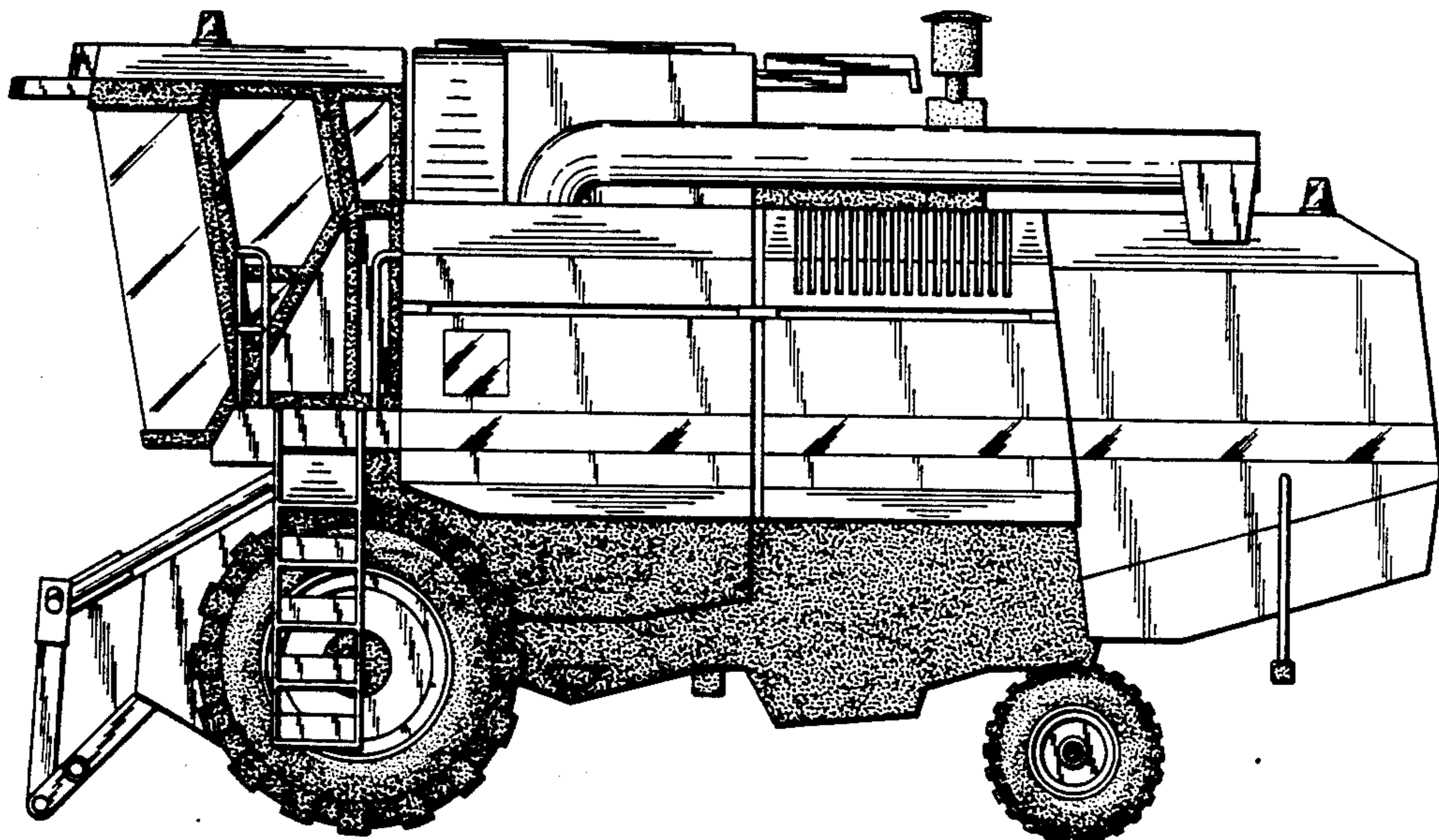
Primary Examiner—B. J. Bullock
Assistant Examiner—Sandra Morris
Attorney, Agent, or Firm—Herbert Dubno; Ronald Lianides

[57] **CLAIM**

The ornamental design for a self-propelled thresher, as shown and described.

DESCRIPTION

FIG. 1 is a front elevational view of a self-propelled thresher showing our new design; FIG. 2 is a right-side elevational view thereof; FIG. 3 is a left-side elevational view thereof; FIG. 4 is a rear elevational view thereof; and FIG. 5 is a top plan view thereof.



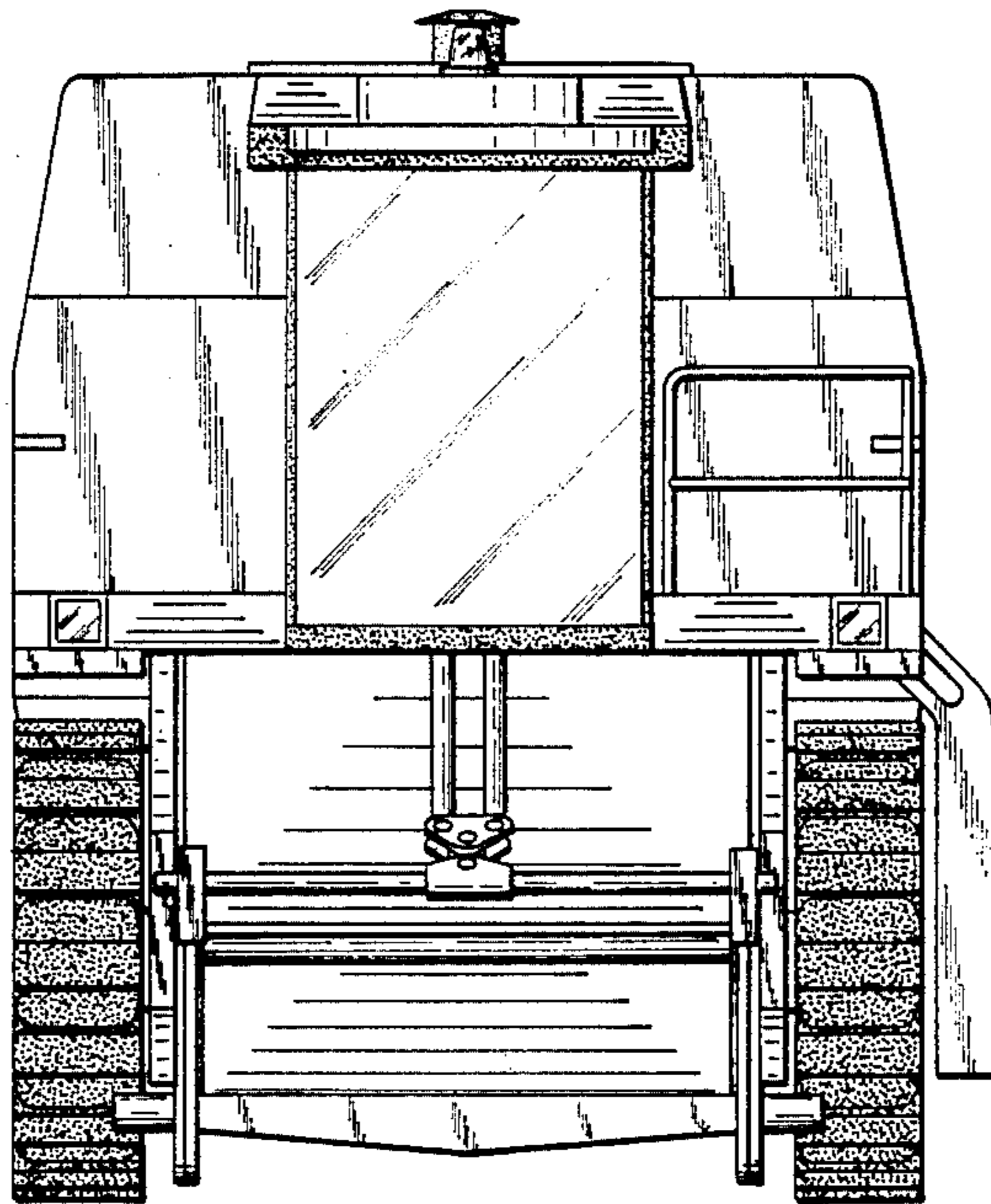


FIG. 1

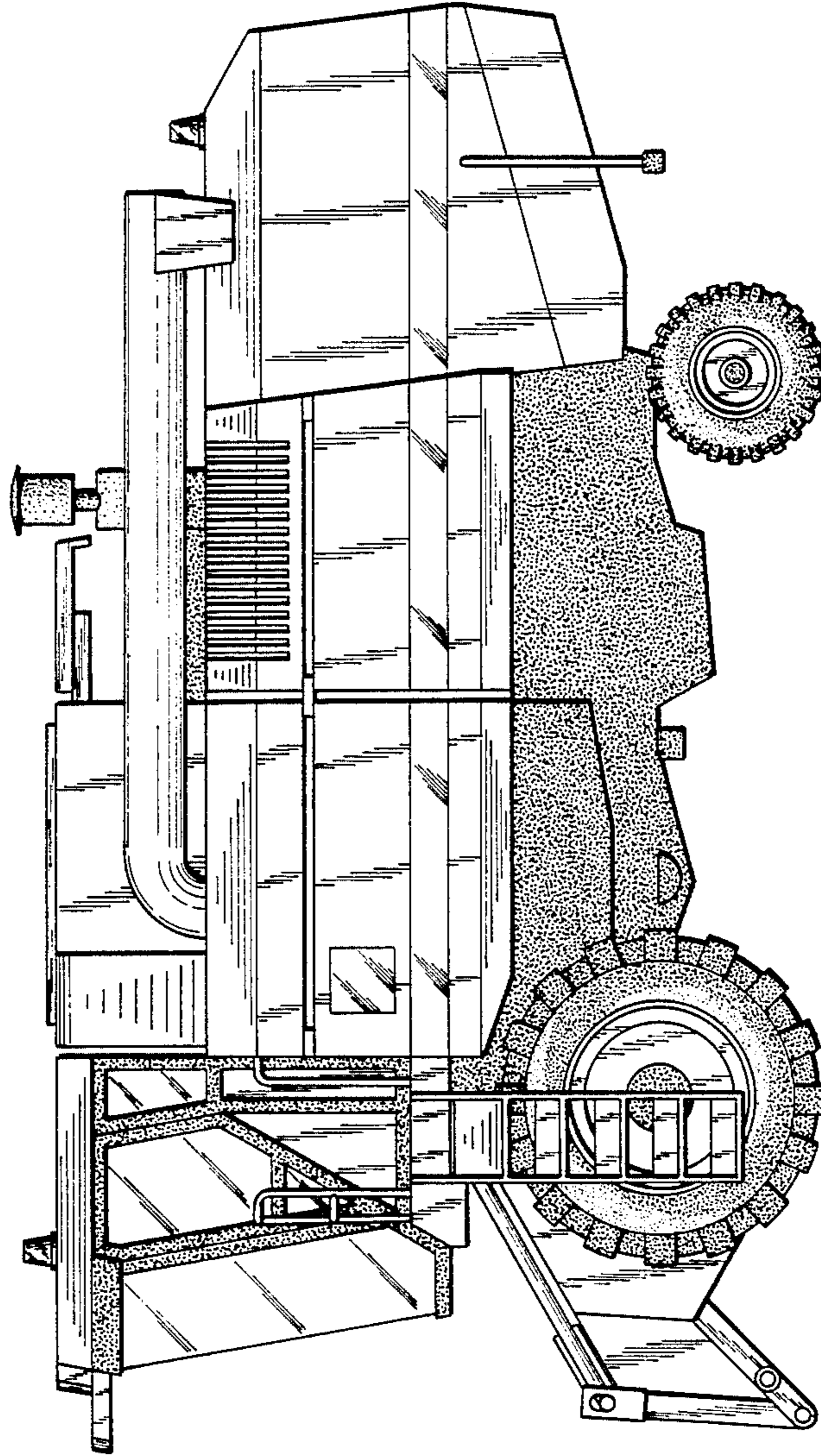


FIG. 2

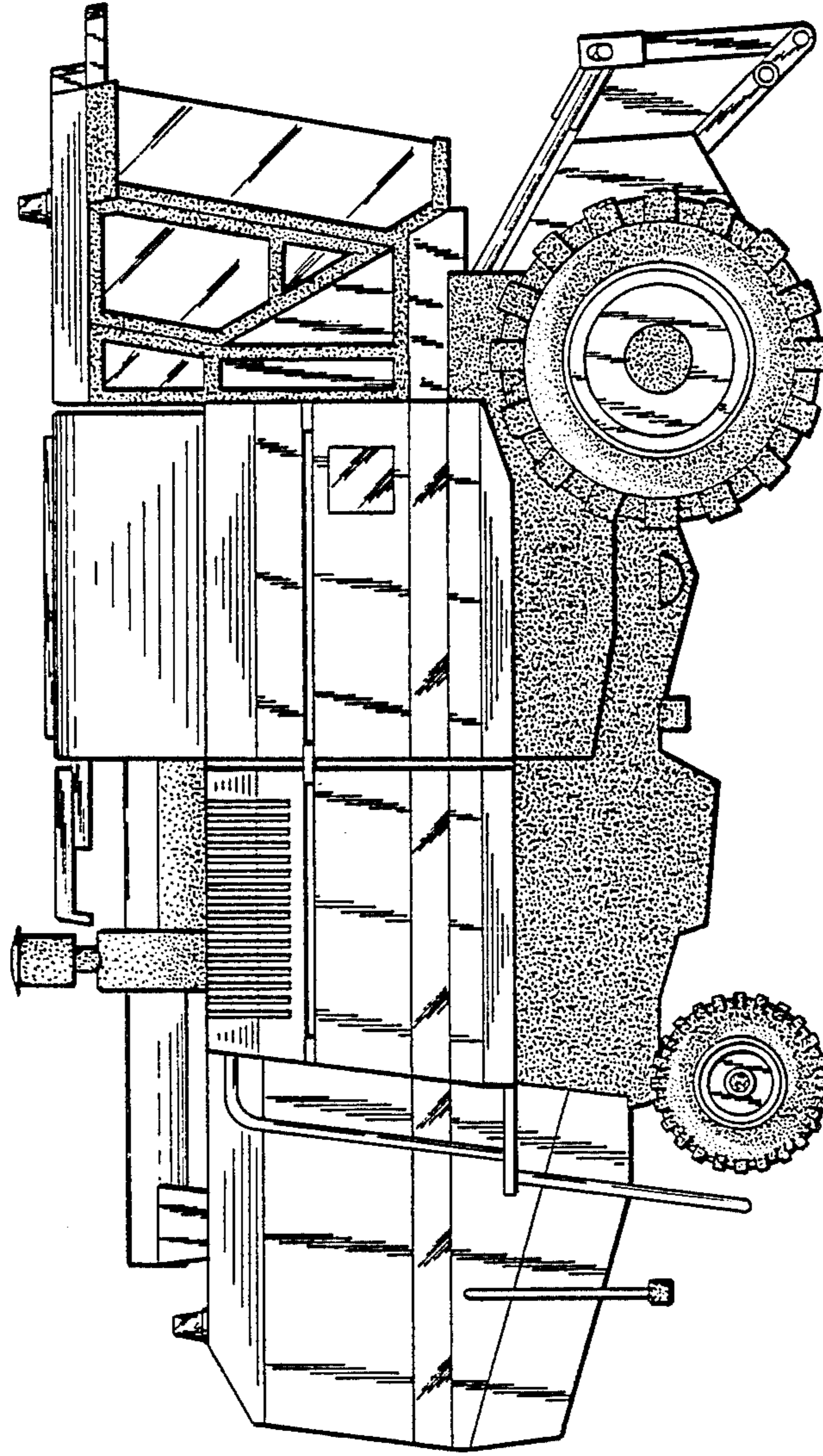


FIG. 3

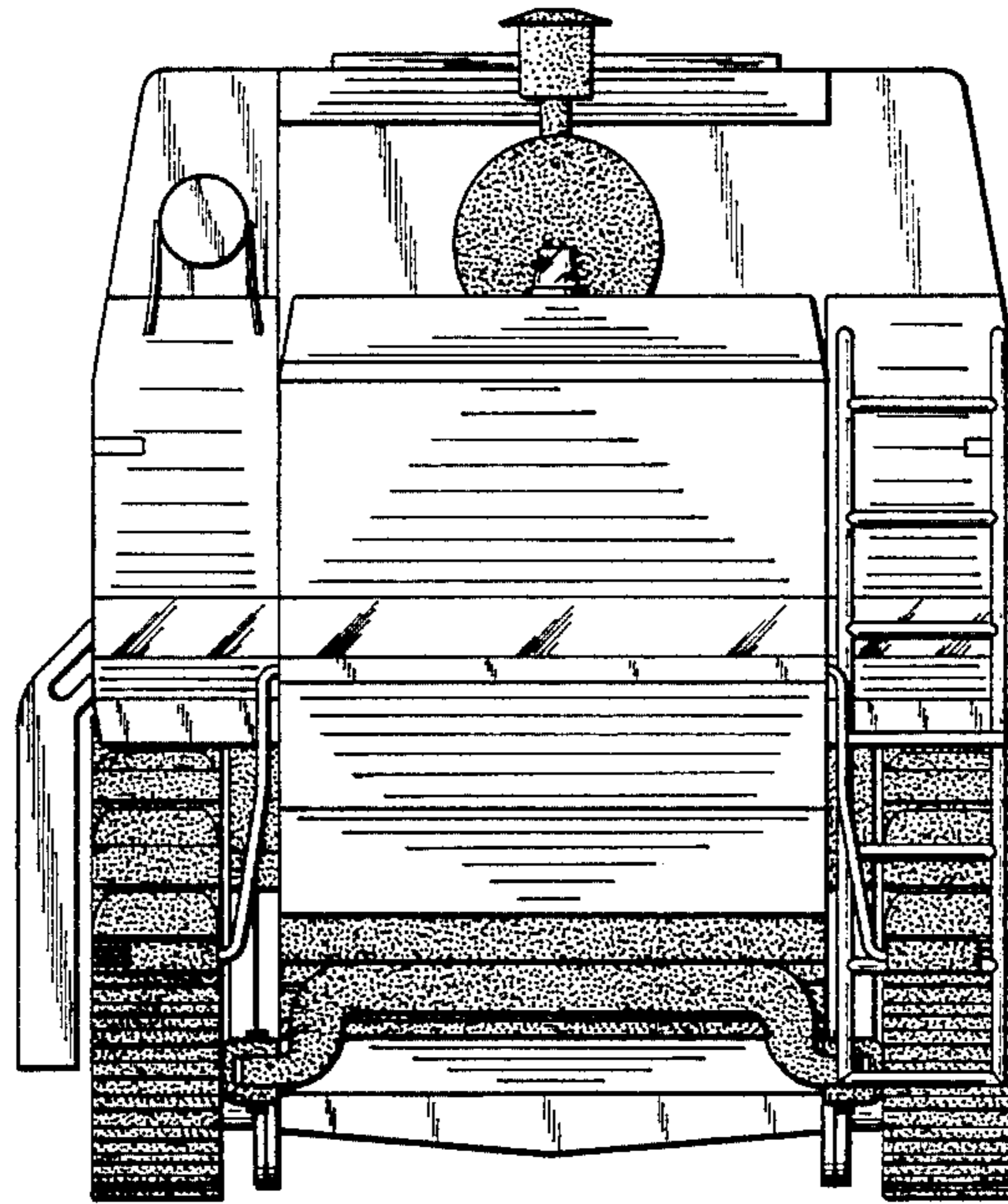


FIG. 4

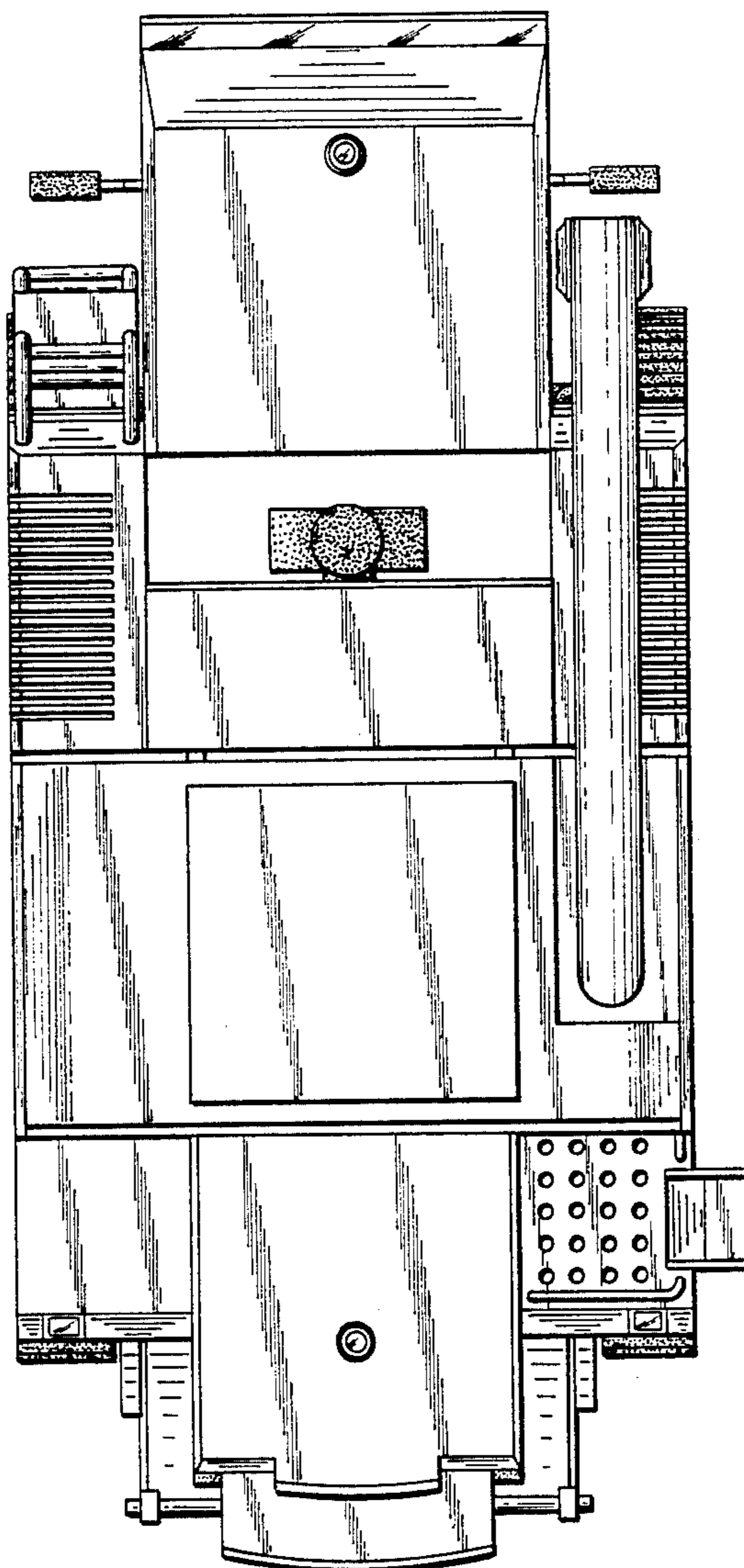


FIG. 5