

[54] **STERILIZER CASING FOR A TELEPHONE HANDSET**

[76] **Inventor: Ernest Gohlke, 277 Sherri Dr., Universal City, Tex. 78148**

[**] **Term: 14 Years**

[21] **Appl. No.: 363,117**

[22] **Filed: Jun. 8, 1989**

[52] **U.S. Cl. D14/249; 379/439**

[58] **Field of Search D14/249, 250; 379/451, 379/452, 439, 437**

[56] **References Cited**

U.S. PATENT DOCUMENTS

D. 164,993	10/1951	Jack	D14/249
D. 182,230	3/1958	Grobman	D14/59
D. 182,231	3/1958	Grobman	D14/59
D. 291,322	6/1969	Volasquez	D14/250
859,827	7/1907	Molyneux et al.	379/452
1,548,625	8/1925	Moore	379/452
3,272,927	9/1966	Peebles	D14/59 X

3,398,806	10/1967	Brand	379/451 X
4,582,966	4/1986	Sutton et al.	379/452
4,613,928	9/1986	Weinert	379/452
4,819,264	4/1989	Lemley	379/422

FOREIGN PATENT DOCUMENTS

3321260	12/1984	Fed. Rep. of Germany	379/452
0954247	12/1949	France	379/422
1073258	9/1954	France	379/452

Primary Examiner—Horace B. Fay, Jr.
Attorney, Agent, or Firm—Terry M. Gernstein

[57] **CLAIM**

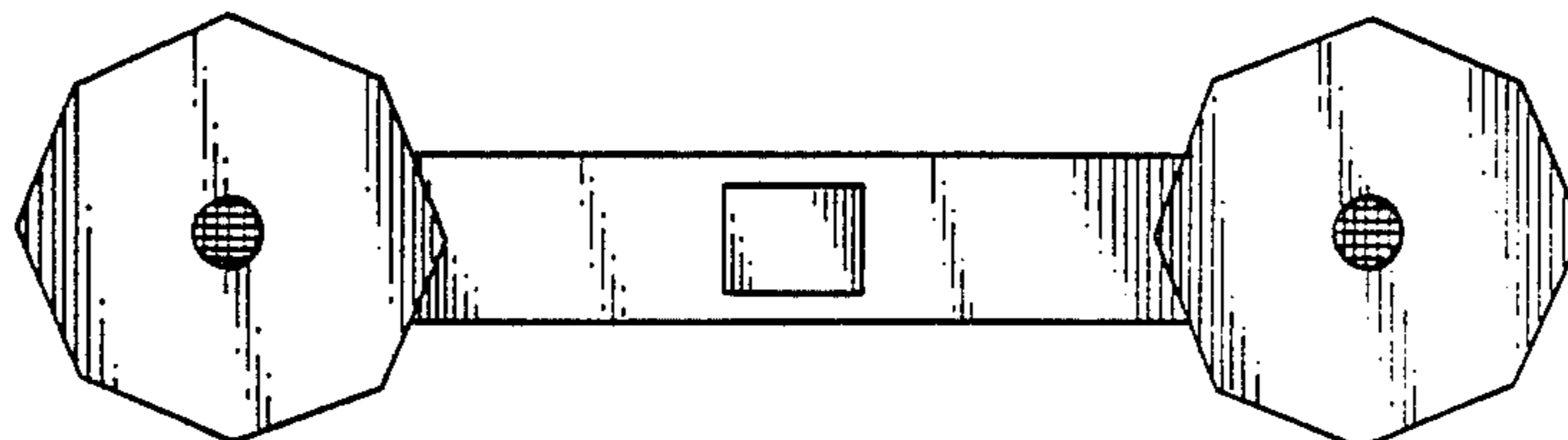
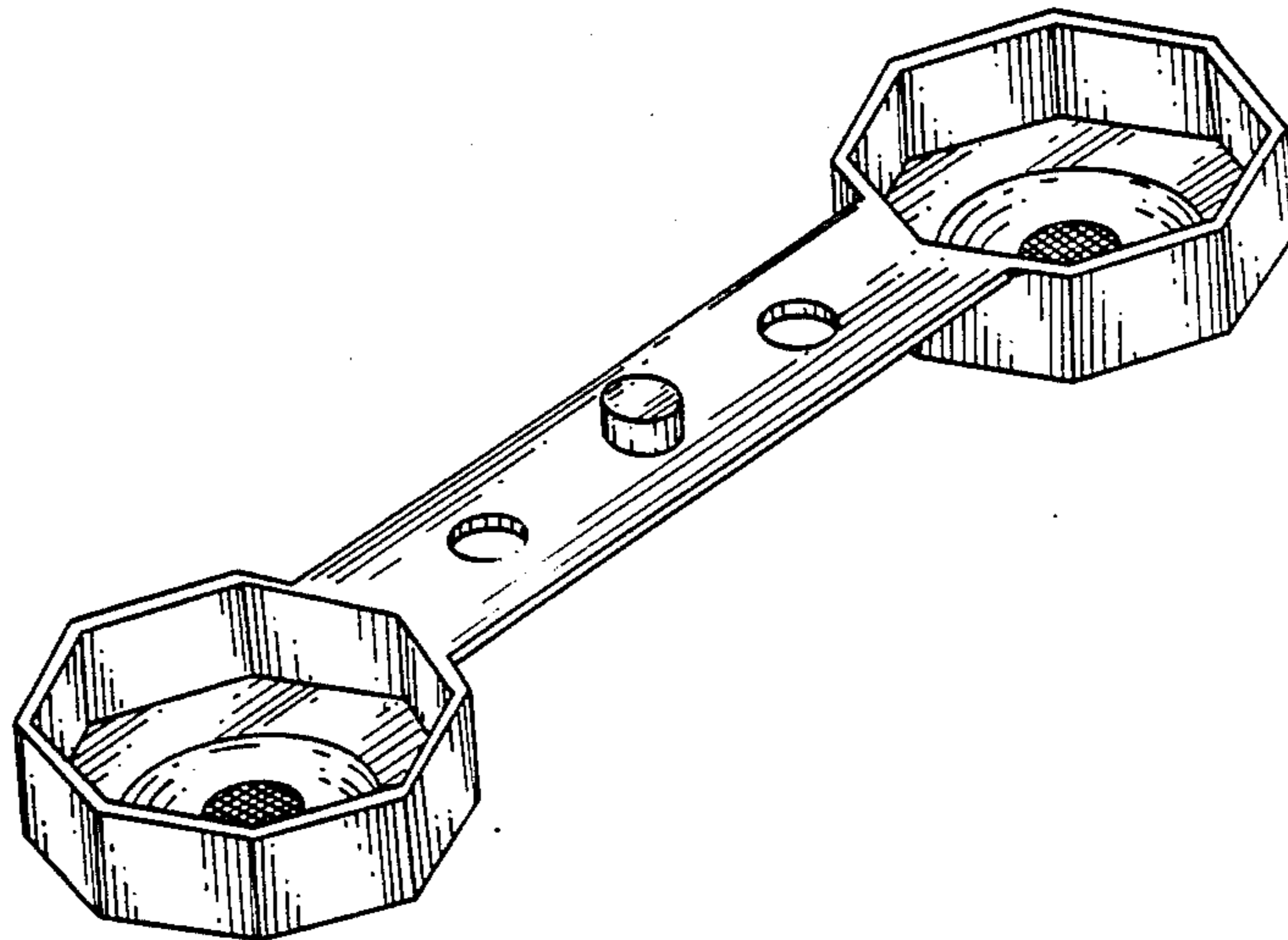
The ornamental design for a sterilizer casing for a telephone handset, as shown and described.

DESCRIPTION

FIG. 1 is a front and right side perspective view of a sterilizer casing for a telephone handset showing my new design;

FIG. 2 is a side elevational view thereof, the side opposite being a mirror image; and

FIG. 3 is a bottom plan view thereof.



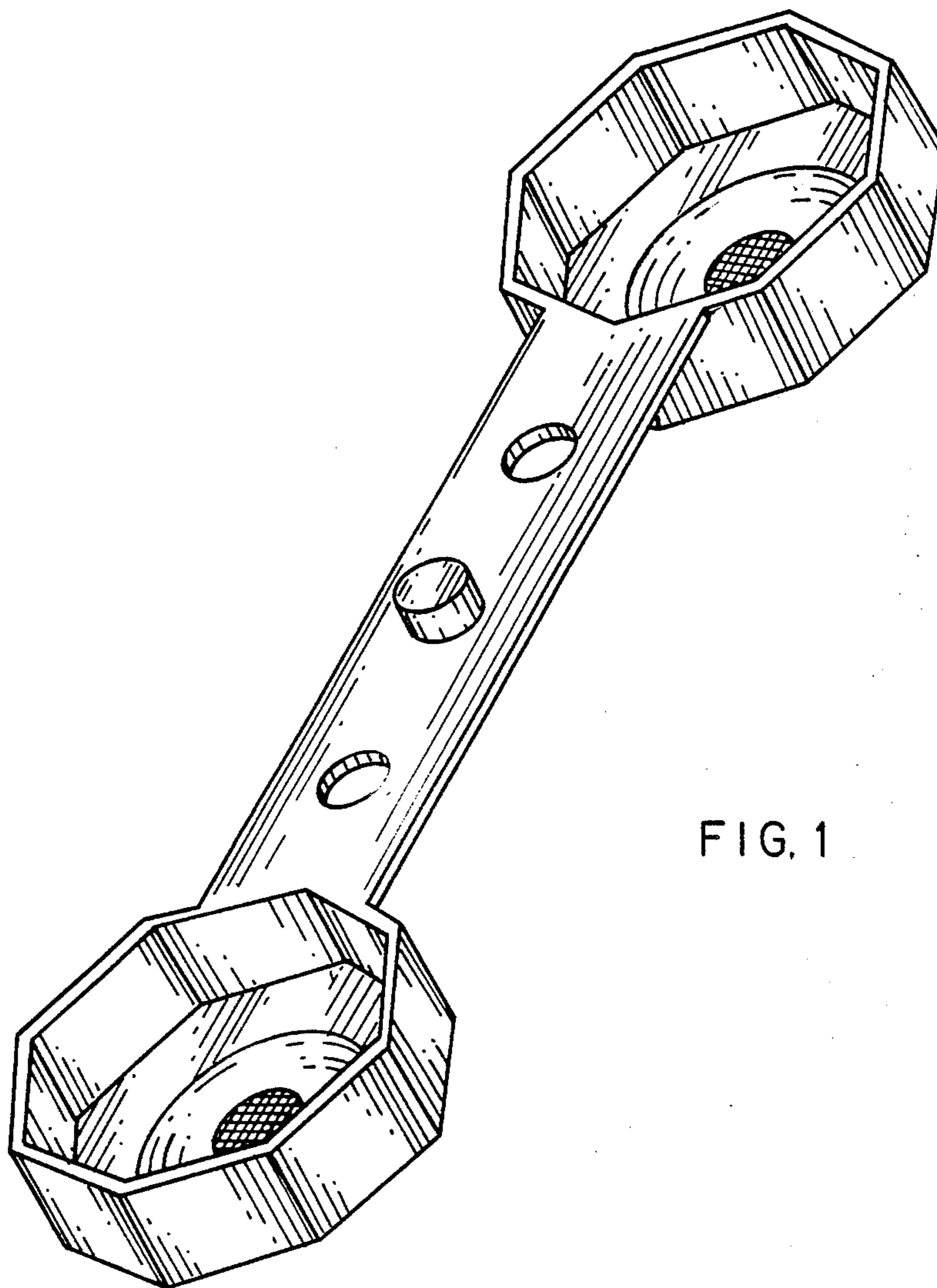


FIG. 1

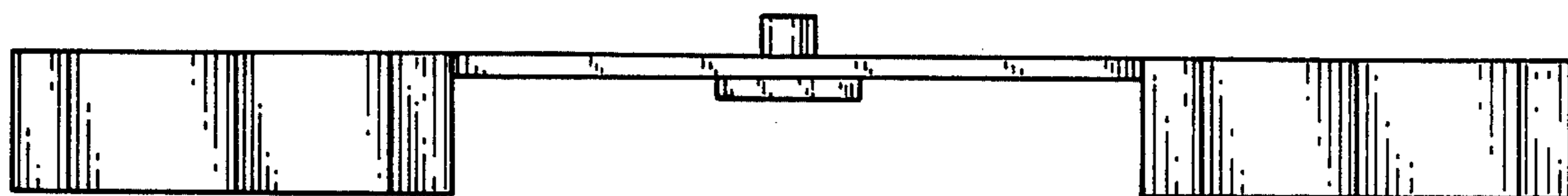


FIG. 2

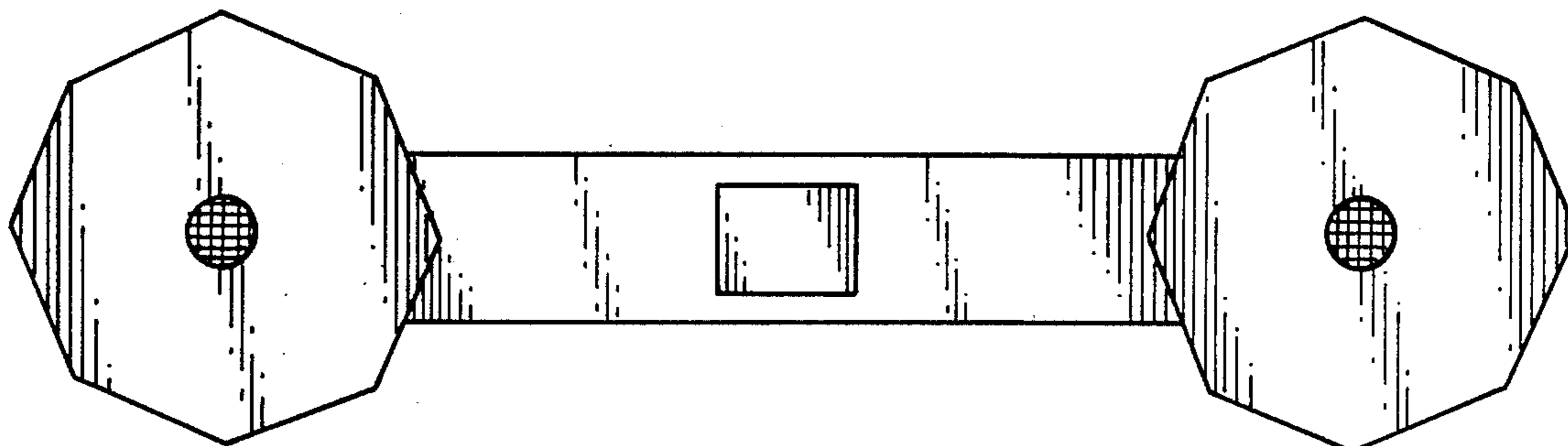


FIG. 3