

[54] TAPE RECORDER

[75] Inventors: Masafumi Ito, Tokyo; Shigeru Hasegawa, Kodaira; Haruki Takita, Hachioji; Minoru Sube, Hachioji, all of Japan

[73] Assignee: Teac Corporation, Tokyo, Japan

[\*\*] Term: 14 Years

[21] Appl. No.: 210,648

[22] Filed: Jun. 21, 1988

[30] Foreign Application Priority Data

Jan. 13, 1988 [JP] Japan ..... 63-1012

[52] U.S. Cl. .... D14/164; D14/161

[58] Field of Search ..... D14/141, 160-168, D14/188-189, 191-192, 196, 199, 202, 299

[56] References Cited

U.S. PATENT DOCUMENTS

- D. 235,665 7/1975 Funabiki et al. .... D14/162
- D. 262,534 1/1982 Dyson ..... D14/164

OTHER PUBLICATIONS

Stereo Review; Dec. 1985; p. 78; top left-Hitachi D-x10 Tape Deck.

High Fidelity; Aug. 1987; p. 38; Luxman K-106 Cassette Deck.

Stereo Review; Sep. 1987; p. 16; Second from top--Technics MS-B905 DAT.

Primary Examiner--Theodore M. Shooman  
Attorney, Agent, or Firm--Ladas & Parry

[57] CLAIM

The ornamental design for a tape recorder, as shown.

DESCRIPTION

FIG. 1 is a top, front and right side isometric view of a tape recorder showing our new design;

FIG. 2 is a front elevational view thereof;

FIG. 3 is a rear elevational view thereof;

FIG. 4 is a top plan view thereof;

FIG. 5 is a bottom plan view thereof;

FIG. 6 is a left side elevational view thereof; and

FIG. 7 is a right side elevational view thereof.

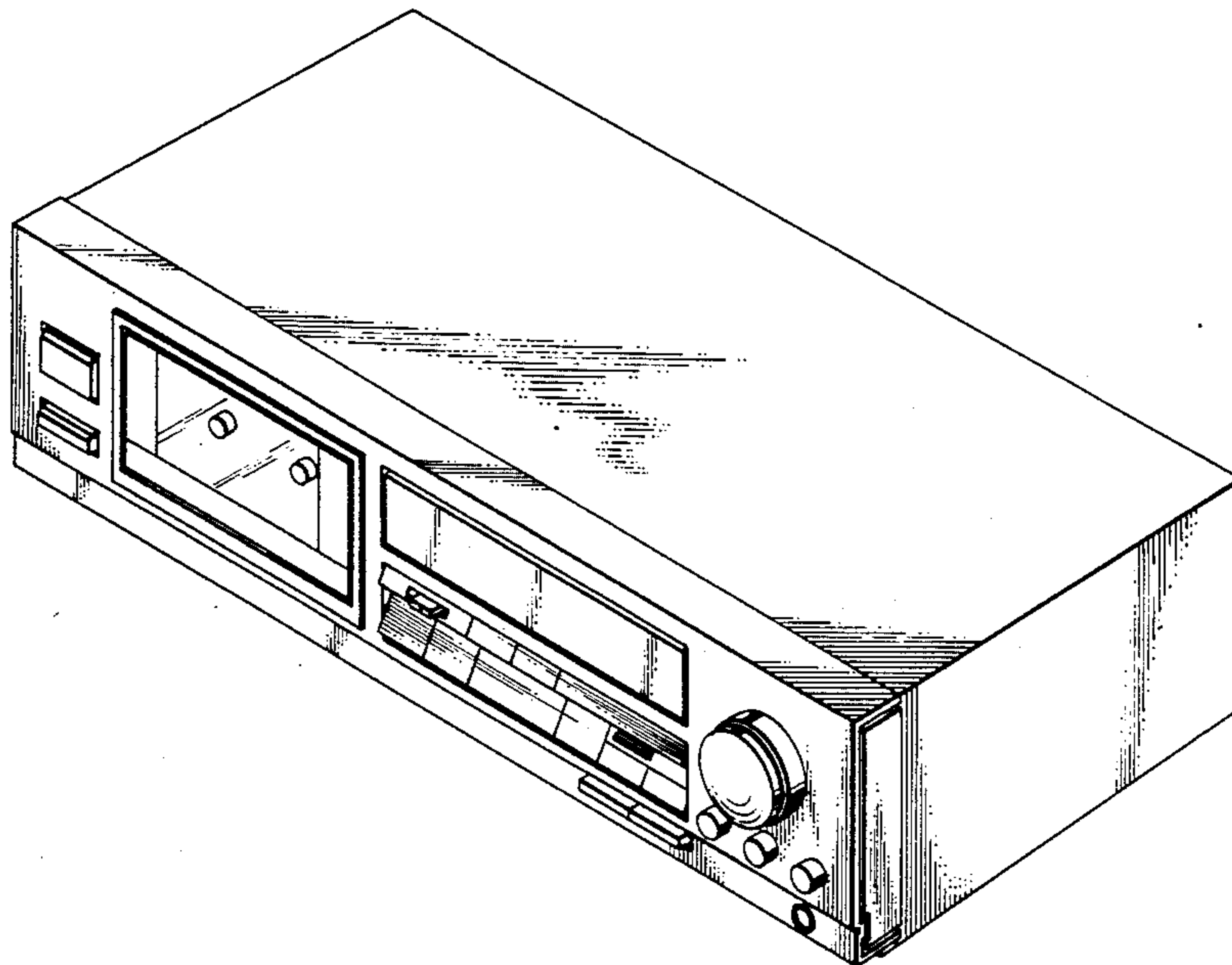
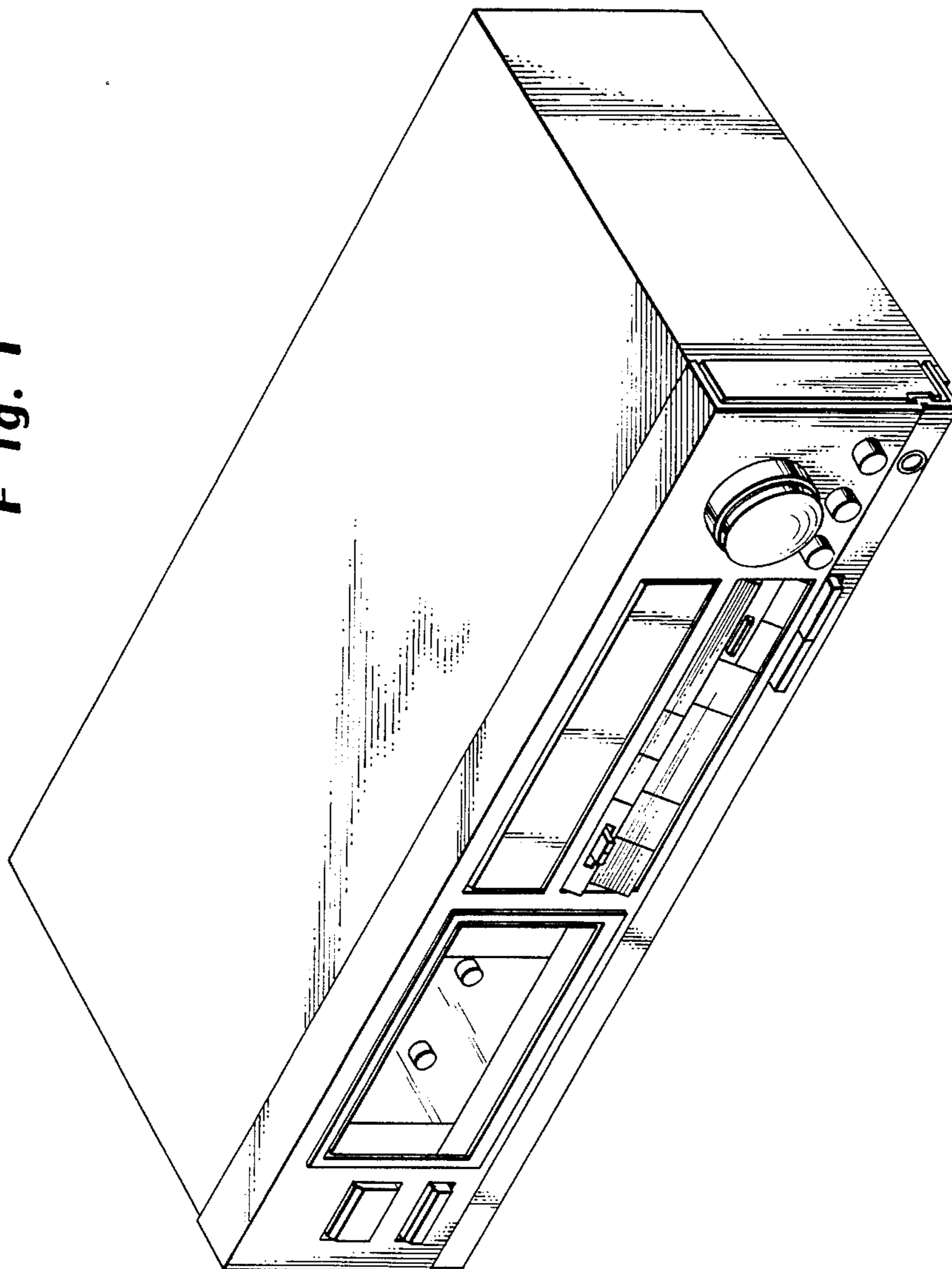
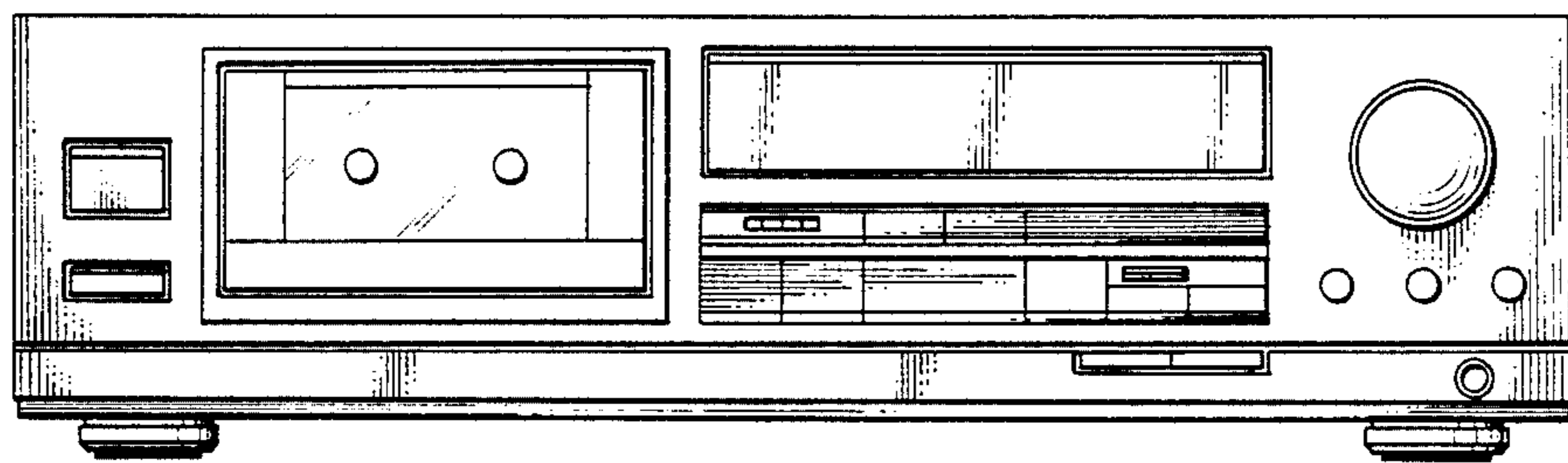


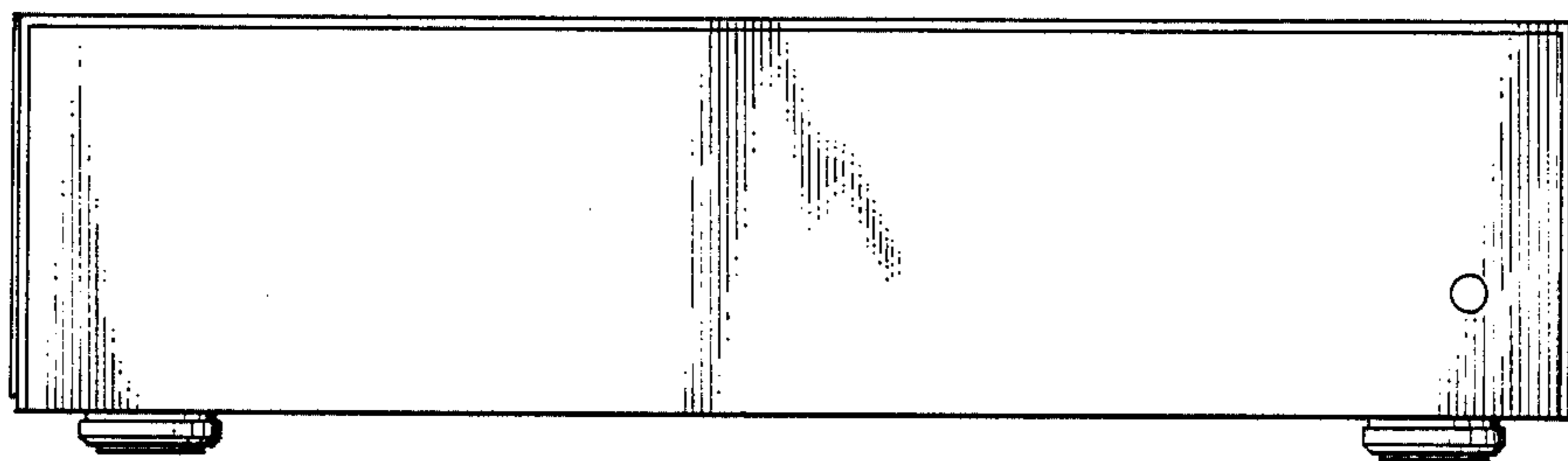
Fig. 1



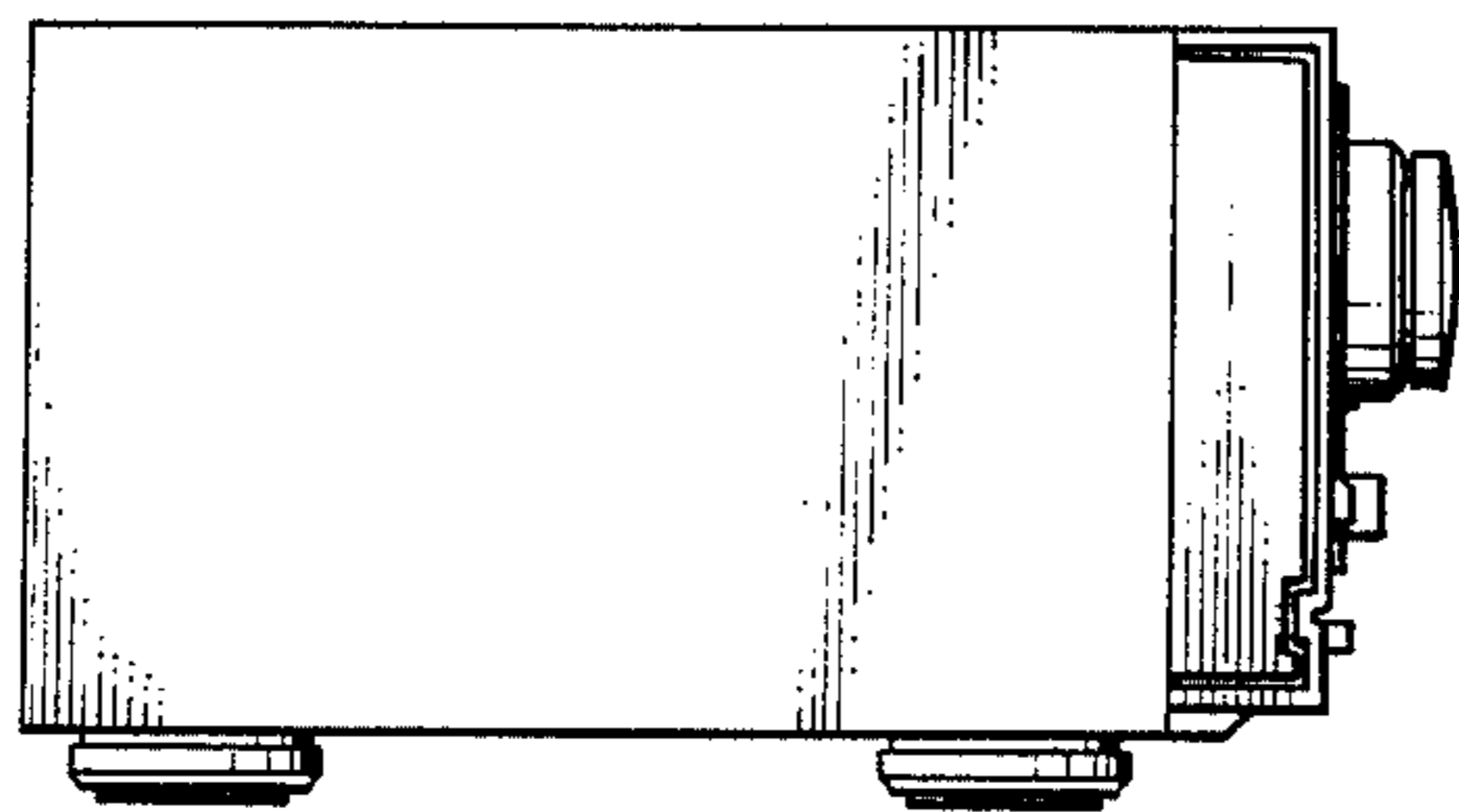
*Fig. 2*



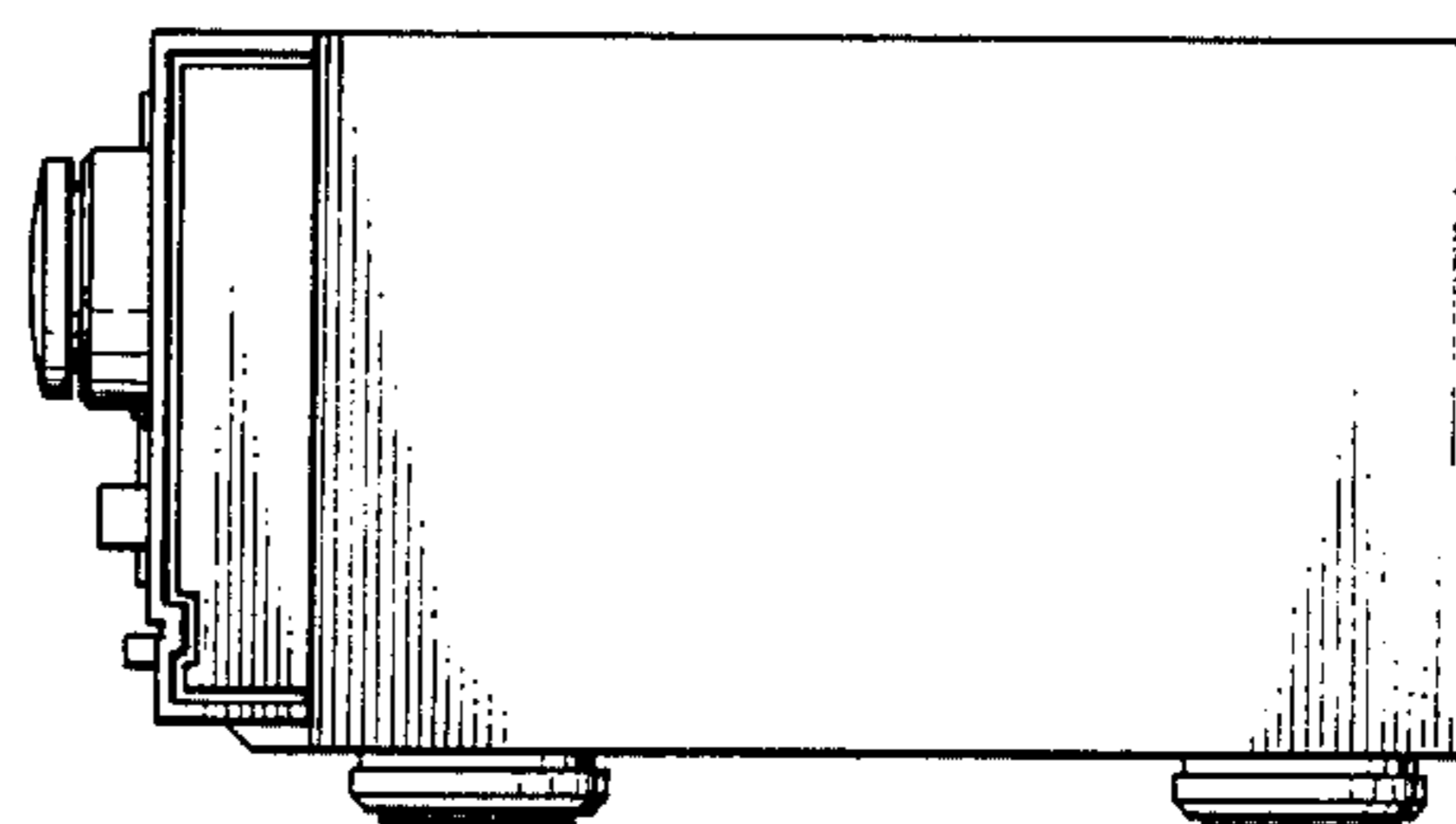
*Fig. 3*



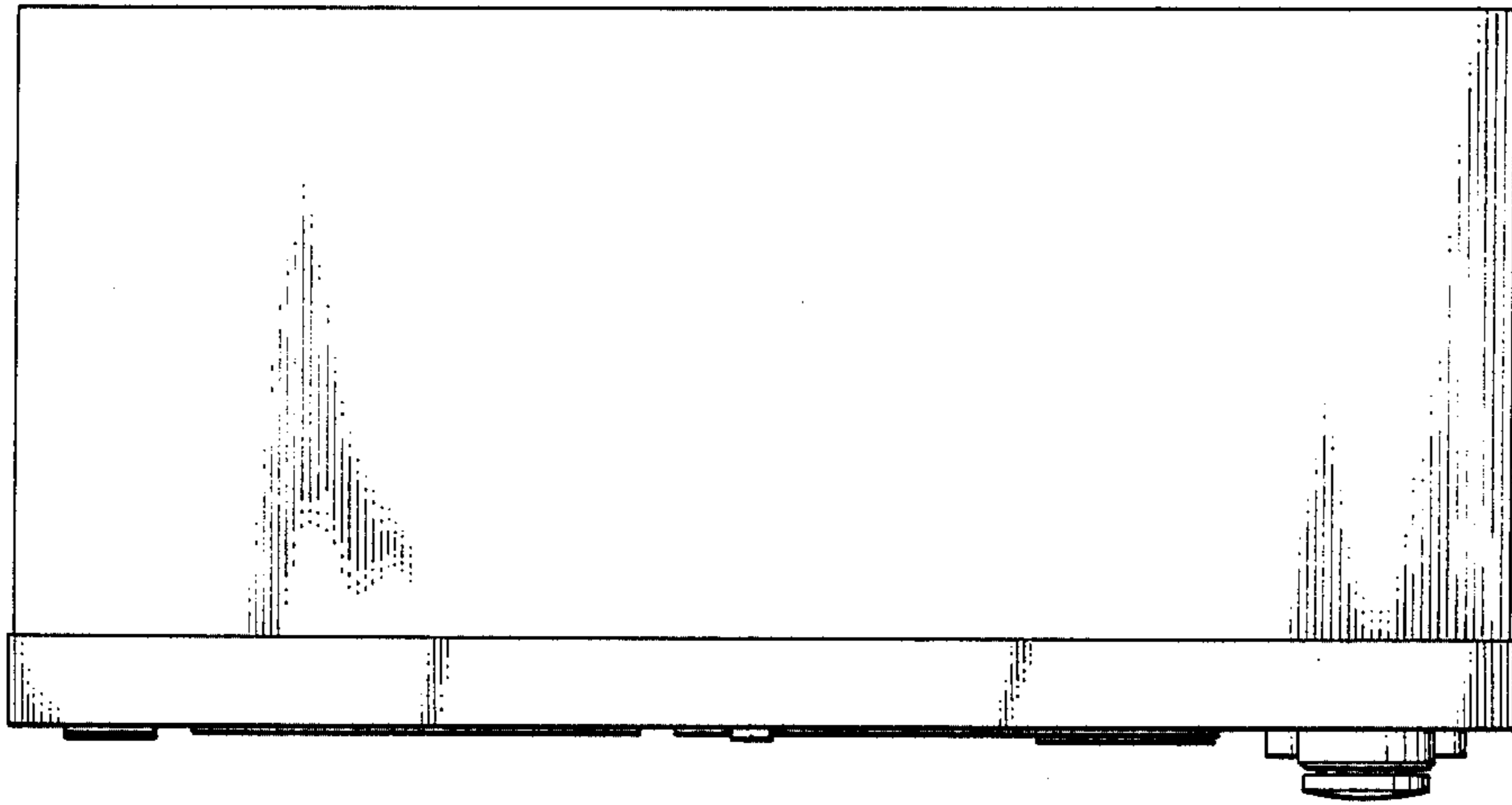
*Fig. 6*



*Fig. 7*



**Fig. 4**



**Fig. 5**

