

# United States Patent [19]

Nuttall et al.

[11] Patent Number: **Des. 309,732**

[45] Date of Patent: **\*\* Aug. 7, 1990**

[54] **INFORMATION DISPLAY MONITOR OR SIMILAR ARTICLE**

[75] Inventors: **Michael J. Nuttall, Palo Alto; Nelson S. Au, Foster City, both of Calif.**

[73] Assignee: **Bell & Howell Publication Systems Company, Skokie, Ill.**

[\*\*] Term: **14 Years**

[21] Appl. No.: **241,548**

[22] Filed: **Sep. 7, 1988**

[52] U.S. Cl. .... **D14/113**

[58] Field of Search ..... **D14/100, 101, 105, 106, D14/113, 114, 115, 126; D18/1, 7, 11, 12; 340/700, 706, 711, 712; 341/22, 23; 358/249, 254; 364/706-710; 248/917-924**

[56] **References Cited**

**U.S. PATENT DOCUMENTS**

D. 277,962 3/1985 Thom ..... D14/106  
D. 278,149 3/1985 Naito ..... D14/113

D. 281,976 12/1985 Menei ..... D14/126  
D. 289,651 5/1987 Nuttall et al. .... D14/113  
D. 295,978 5/1988 Brunner ..... D14/113  
D. 302,813 8/1989 Kao et al. .... D14/113

*Primary Examiner*—Susan J. Lucas  
*Assistant Examiner*—Freda S. Nunn  
*Attorney, Agent, or Firm*—David Weiss

[57] **CLAIM**

The ornamental design for an information display monitor or similar article, as shown and described.

**DESCRIPTION**

FIG. 1 is a top, front, right side perspective view of an information display monitor or similar article showing our new design;

FIG. 2 is a top plan view thereof;

FIG. 3 is a bottom plan view thereof;

FIG. 4 is a front elevation view thereof;

FIG. 5 is a rear elevation view thereof; and

FIG. 6 is a right side elevation view thereof, the left side being a mirror image of the right side.

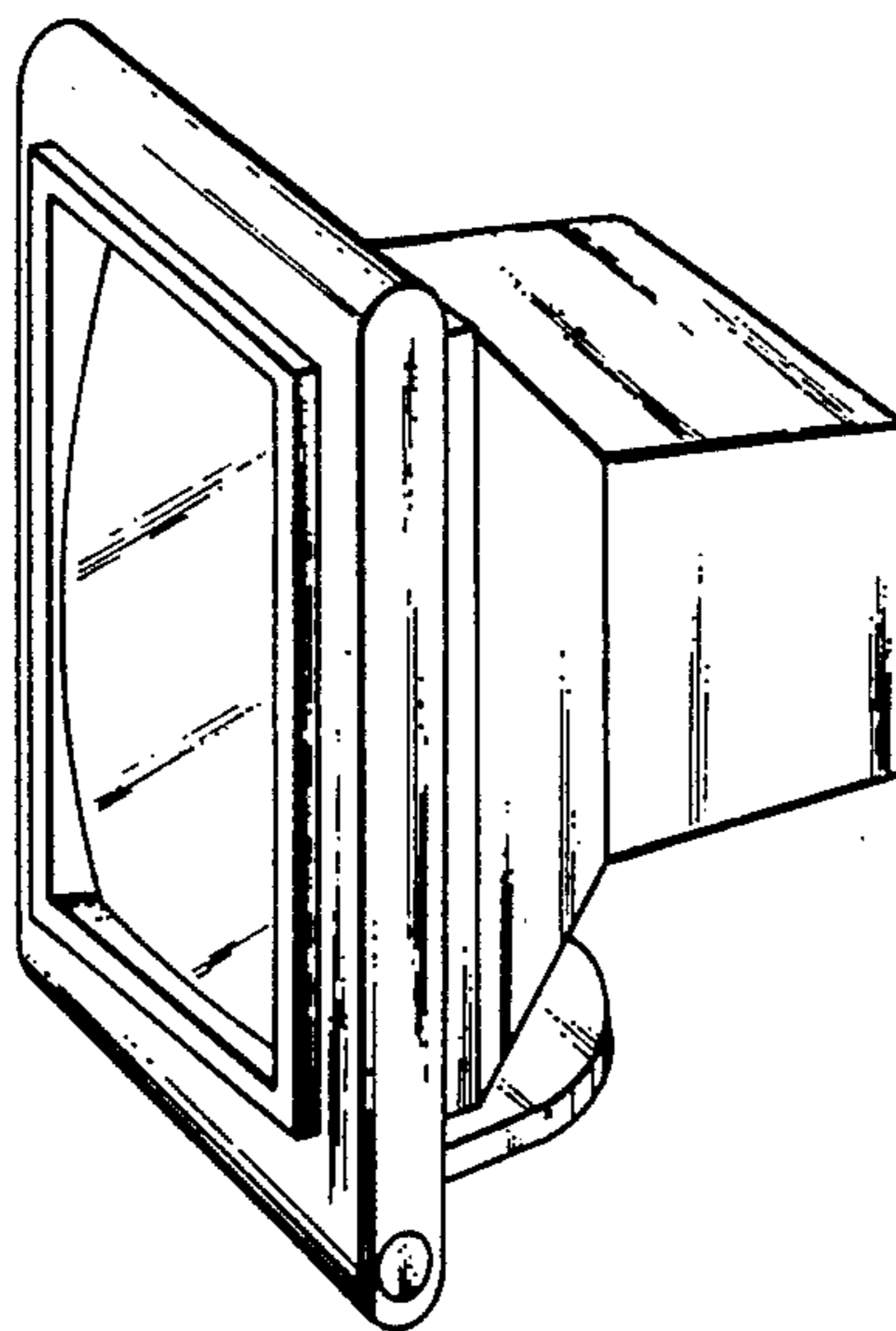


Fig. 1.

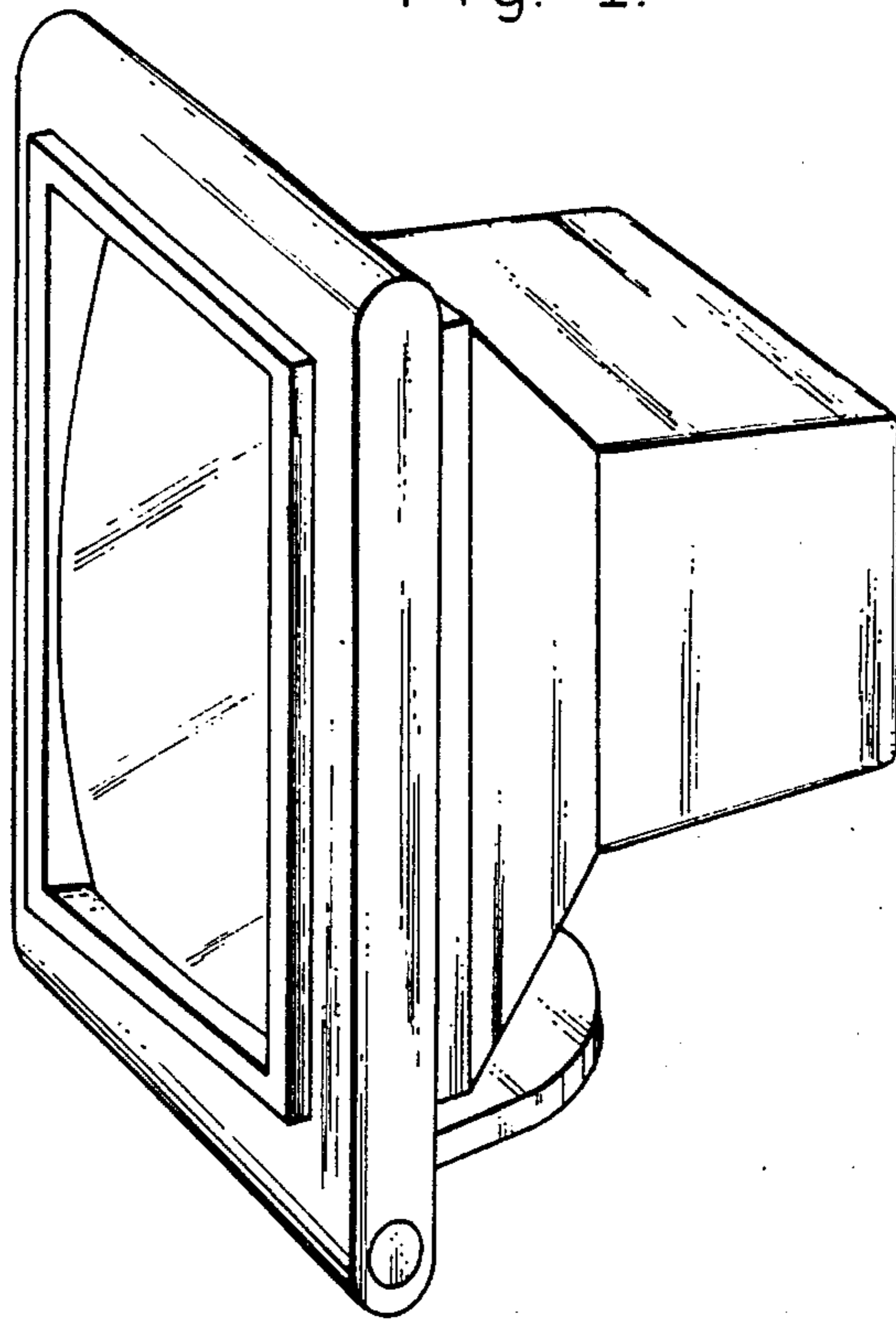


Fig. 2.

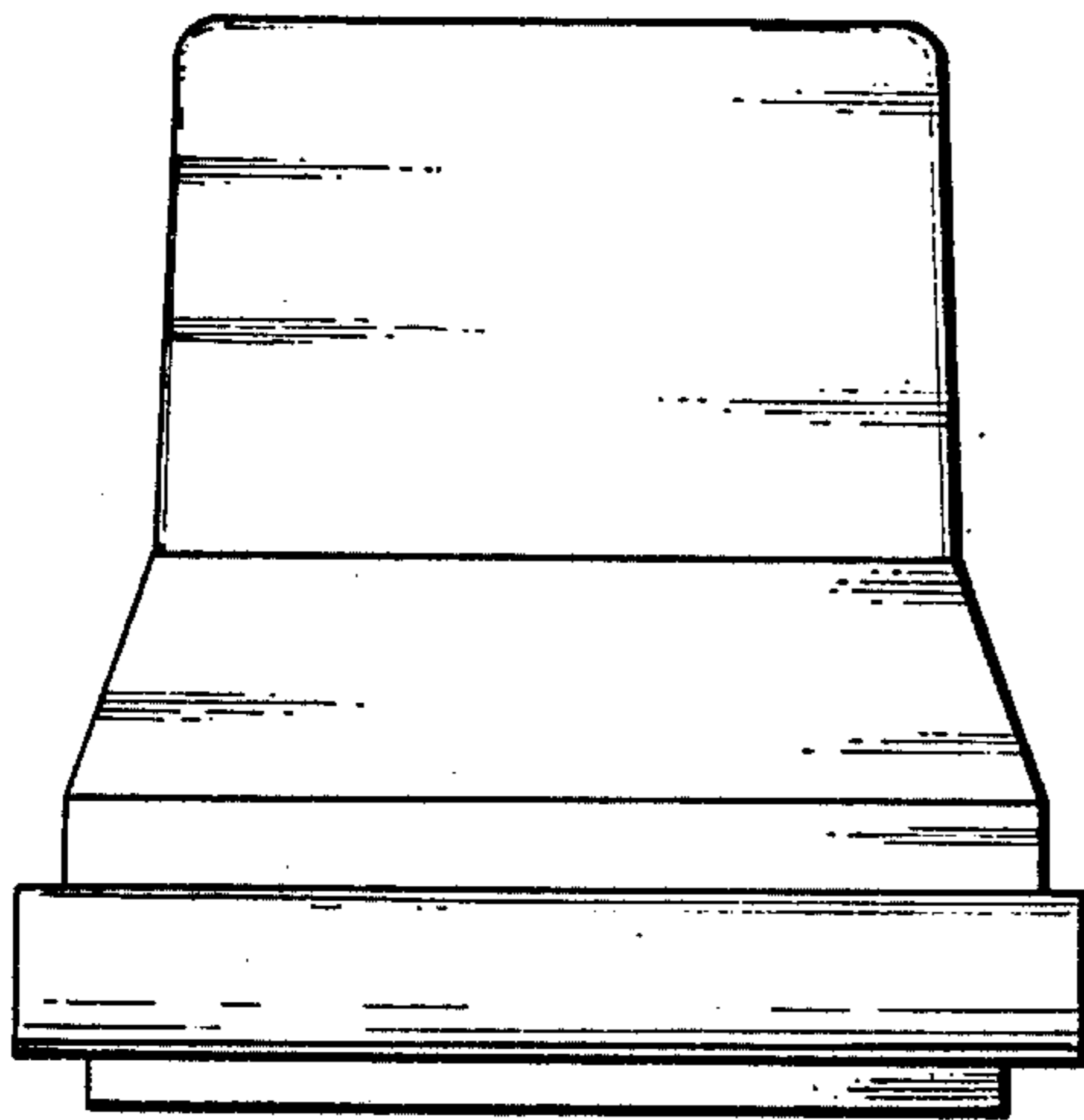
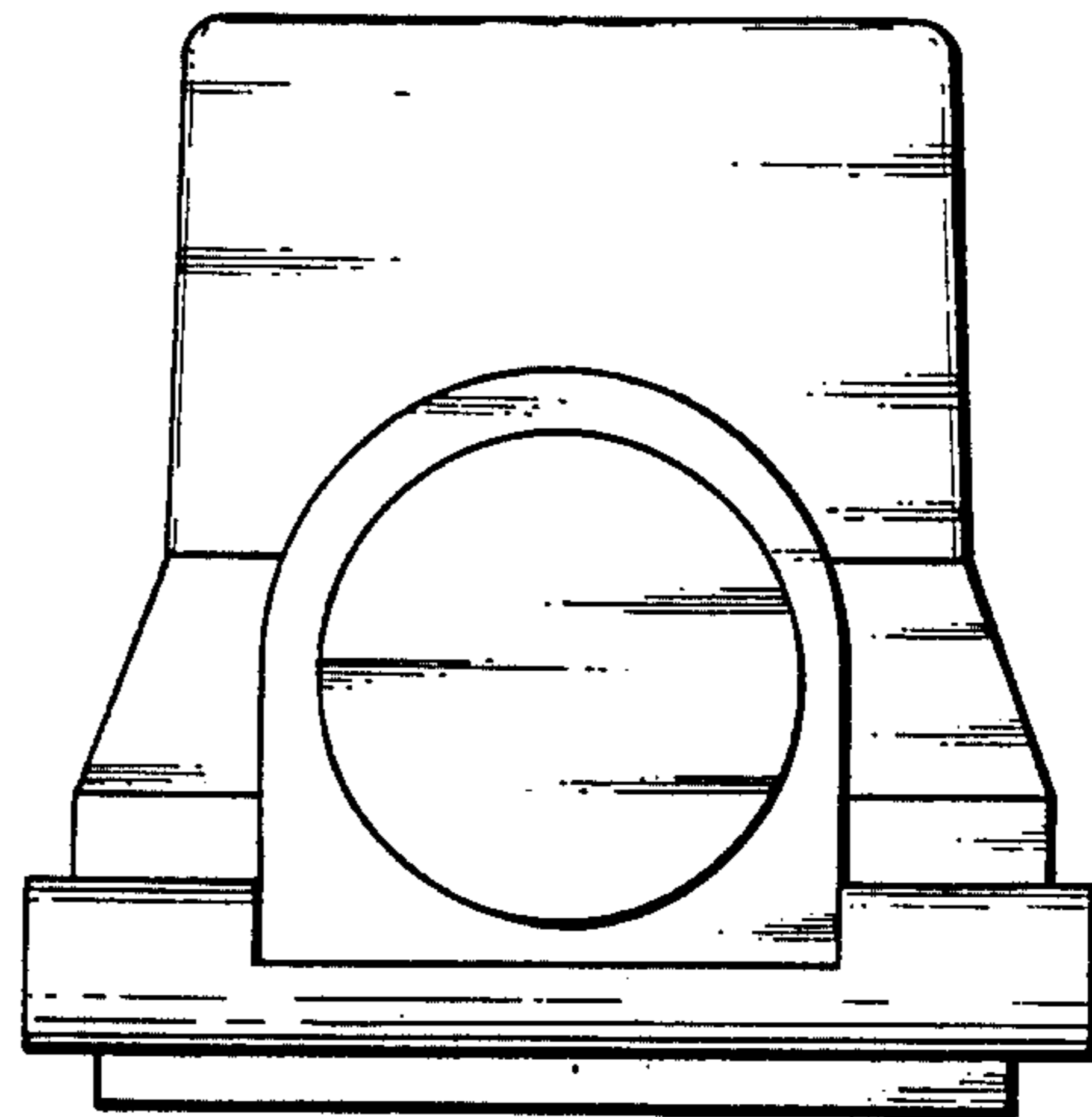


Fig. 3.



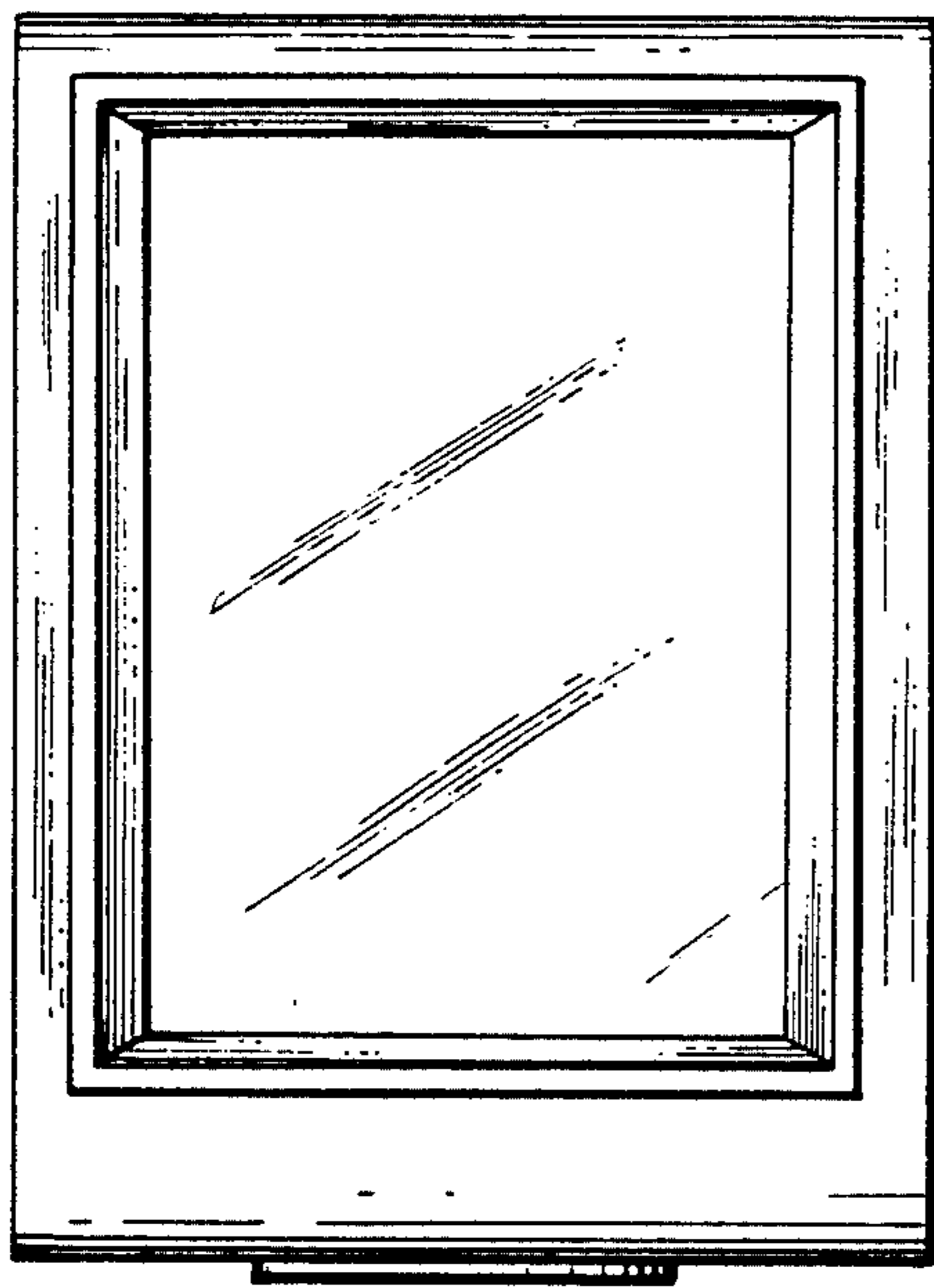


Fig. 4.

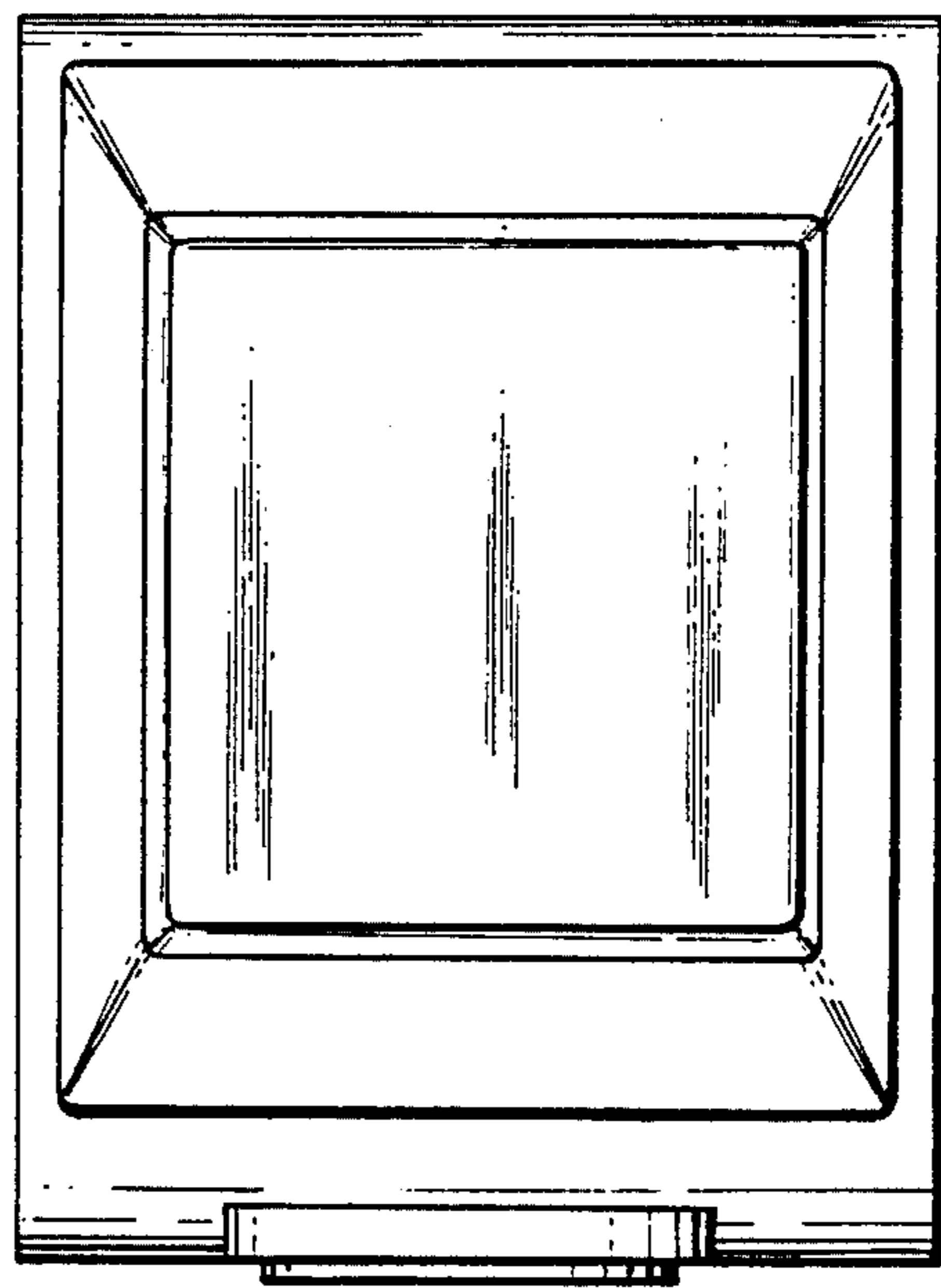


Fig. 5.

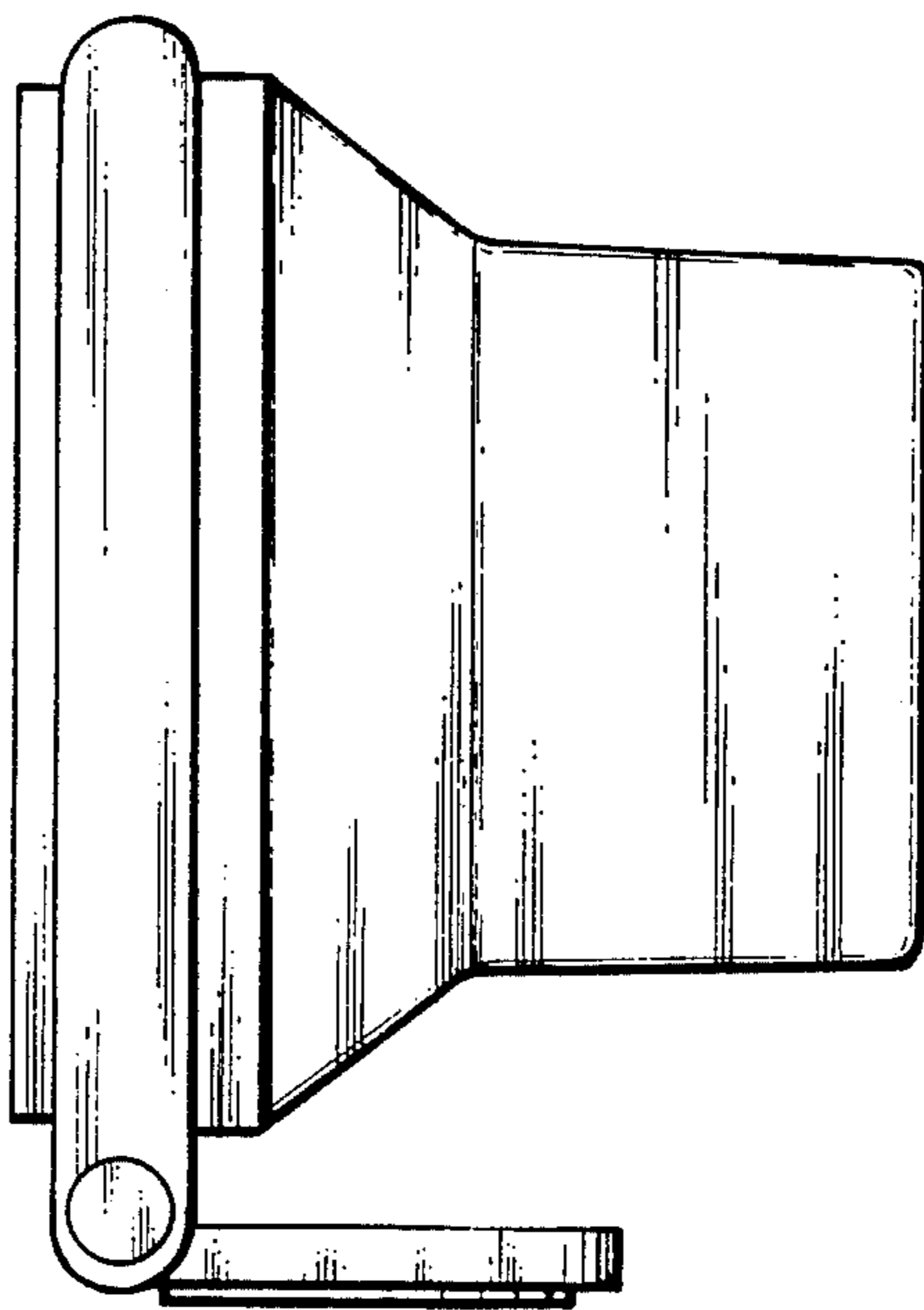


Fig. 6.