

[54] READER WITH FEEDER FOR ELECTRONIC FILING SYSTEM

[75] Inventor: Tooru Makidera, Osaka, Japan

[73] Assignee: Sharp Corporation, Osaka, Japan

[\*\*] Term: 14 Years

[21] Appl. No.: 37,404

[22] Filed: Apr. 13, 1987

[30] Foreign Application Priority Data

Oct. 17, 1986 [JP] Japan ..... 61-41431

[52] U.S. Cl. .... D14/105; D14/107

[58] Field of Search ..... D14/100, 105, 107, 114, D14/116; 235/454, 462, 470, 472, 473, 475, 479, 471; 250/203 R, 566, 568, 569, 239; 358/408, 473, 474, 497; 354/80, 81, 82; 355/231, 233; 382/58, 59, 62, 63, 65

[56] References Cited

U.S. PATENT DOCUMENTS

- D. 302,007 7/1989 Hara et al. .... D14/107
- 4,457,016 6/1984 Pfeffer ..... 382/59
- 4,616,269 10/1986 Mori ..... 355/233 X

FOREIGN PATENT DOCUMENTS

706332 5/1987 Japan ..... D14/107

OTHER PUBLICATIONS

CompuScan PCS-Feb. 1986 p. 1 Desktop Scanner. NEC Catalog, Jul. 1986 p. 1 "Personal Image Scanner", PC-1N 502.

Toshiba Catalog, Jun. 1986 p. 1 "Color Image Scanner", SC-4505 (A3).

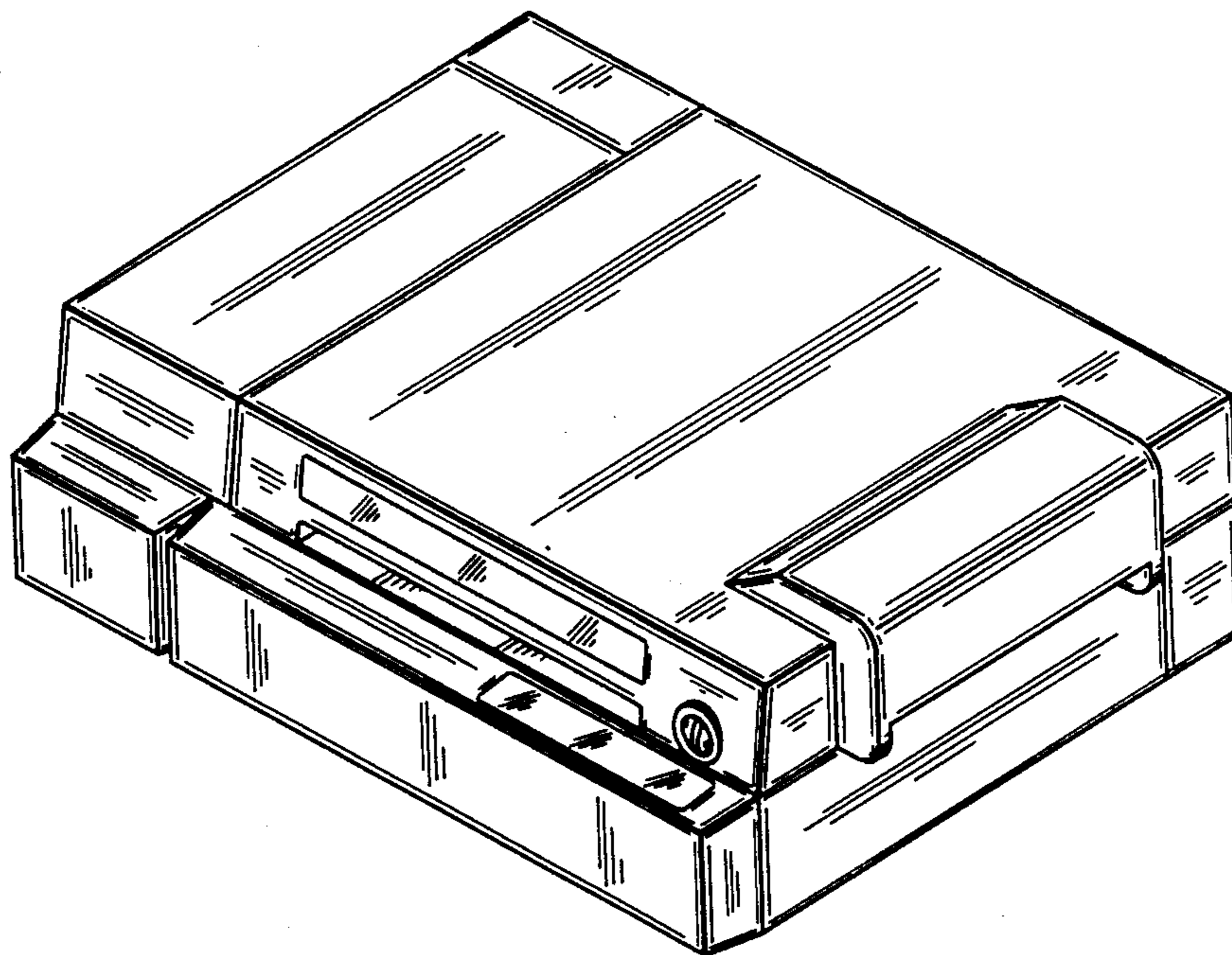
Primary Examiner—Susan J. Lucas  
Assistant Examiner—Freda S. Nunn  
Attorney, Agent, or Firm—Flehr, Hohbach, Test, Albritton & Herbert

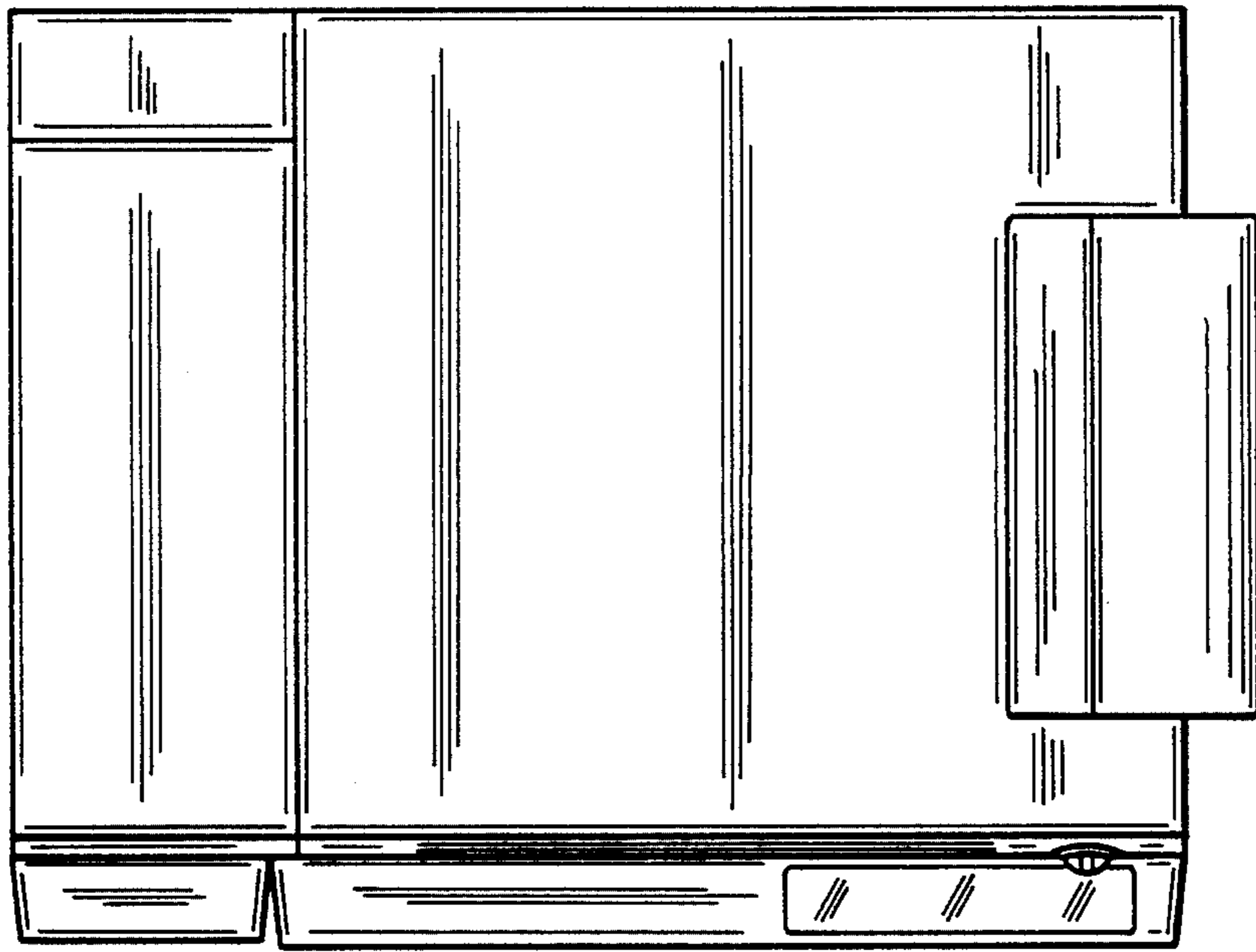
[57] CLAIM

The ornamental design for a reader with feeder for electronic filing system, as shown and described.

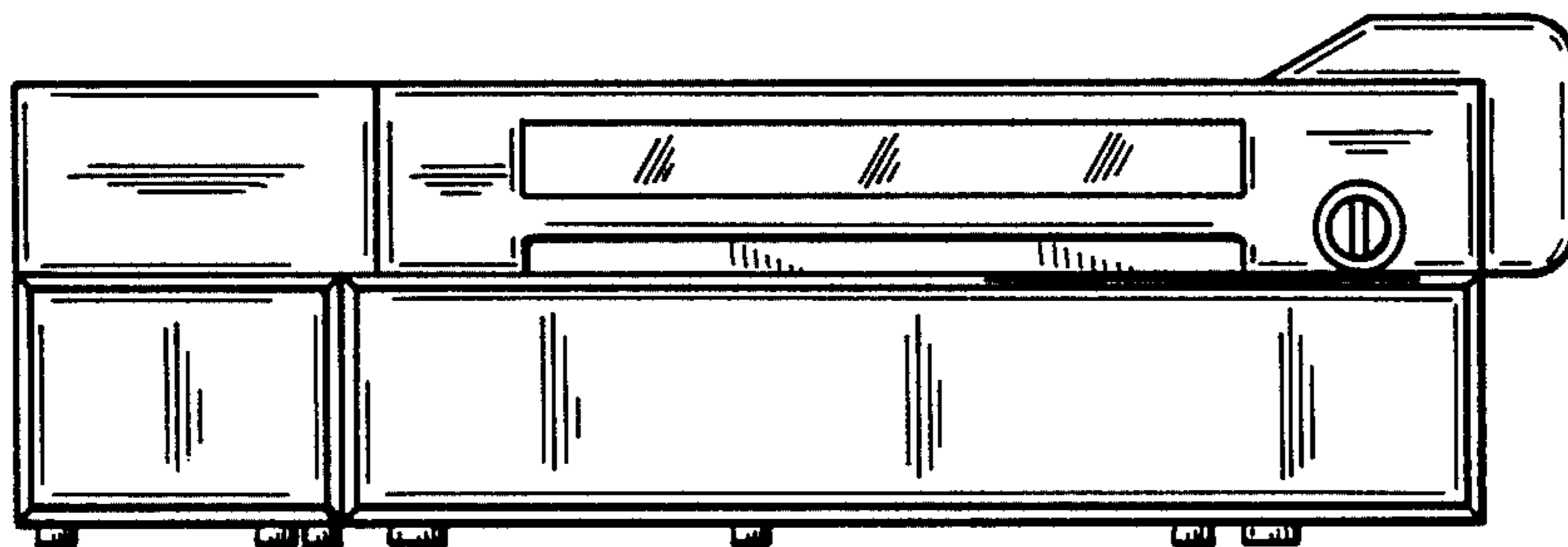
DESCRIPTION

FIG. 1 is a top plan view of the reader with feeder for electronic filing system showing my new design; FIG. 2 is a bottom plan view thereof; FIG. 3 is a front elevational view thereof; FIG. 4 is a rear elevational view thereof; FIG. 5 is a right side elevational view thereof; FIG. 6 is a left side elevational view thereof; FIG. 7 is a top, front, right side perspective view thereof.

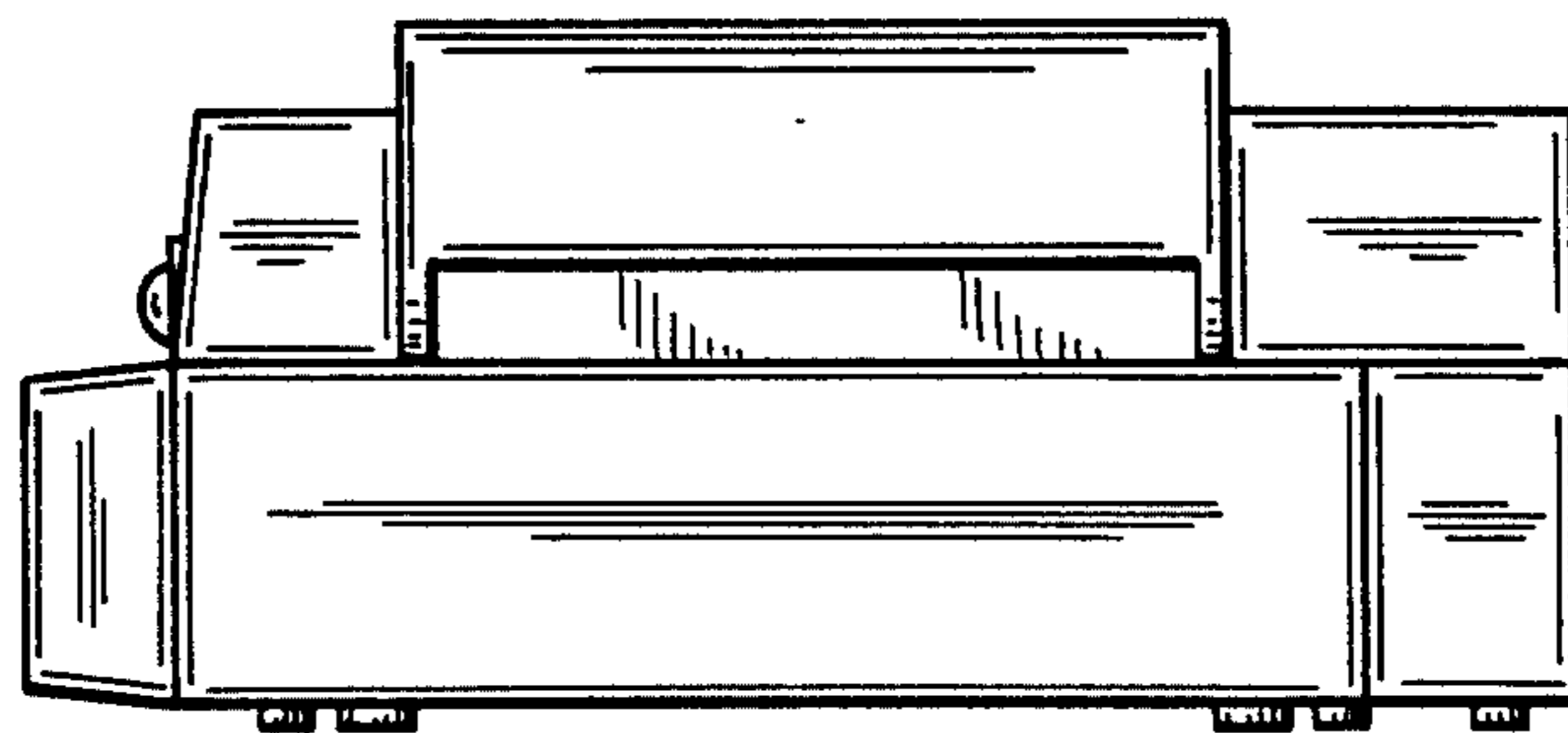




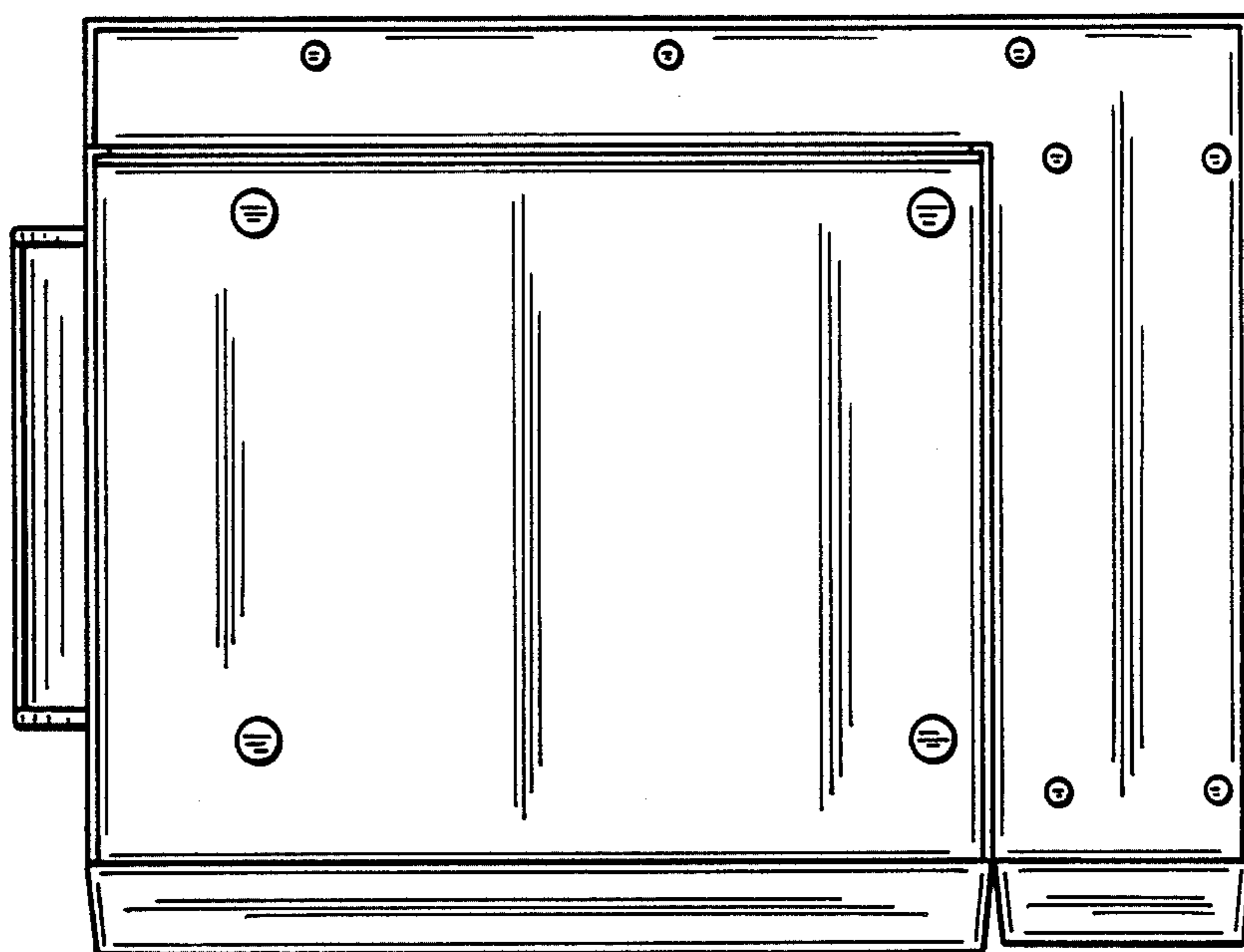
*FIG\_1*



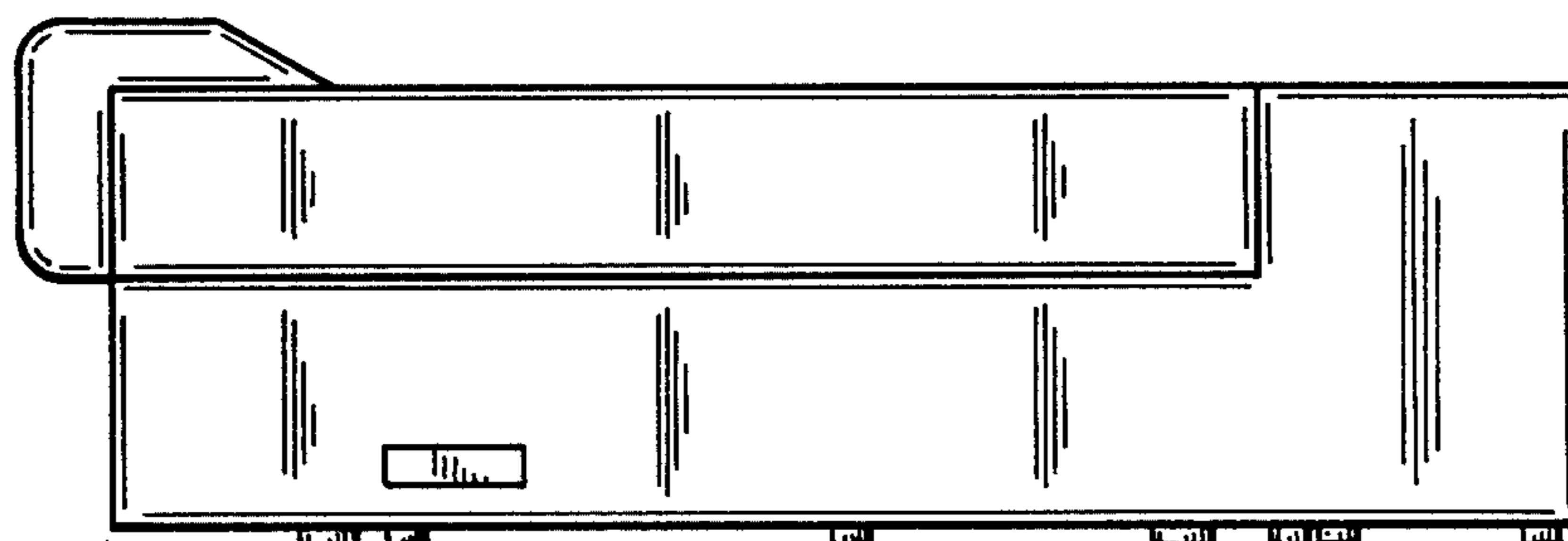
*FIG\_3*



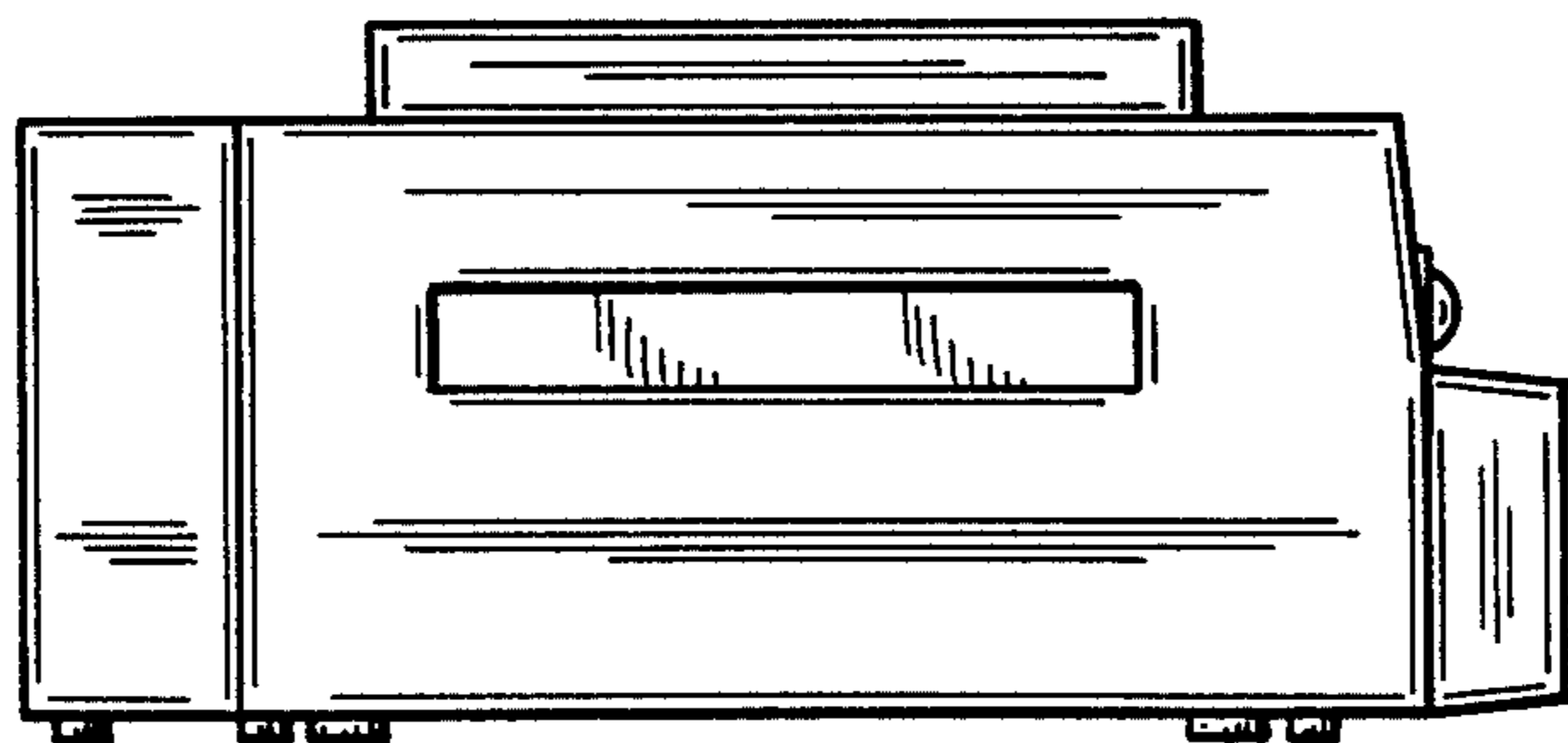
*FIG\_5*



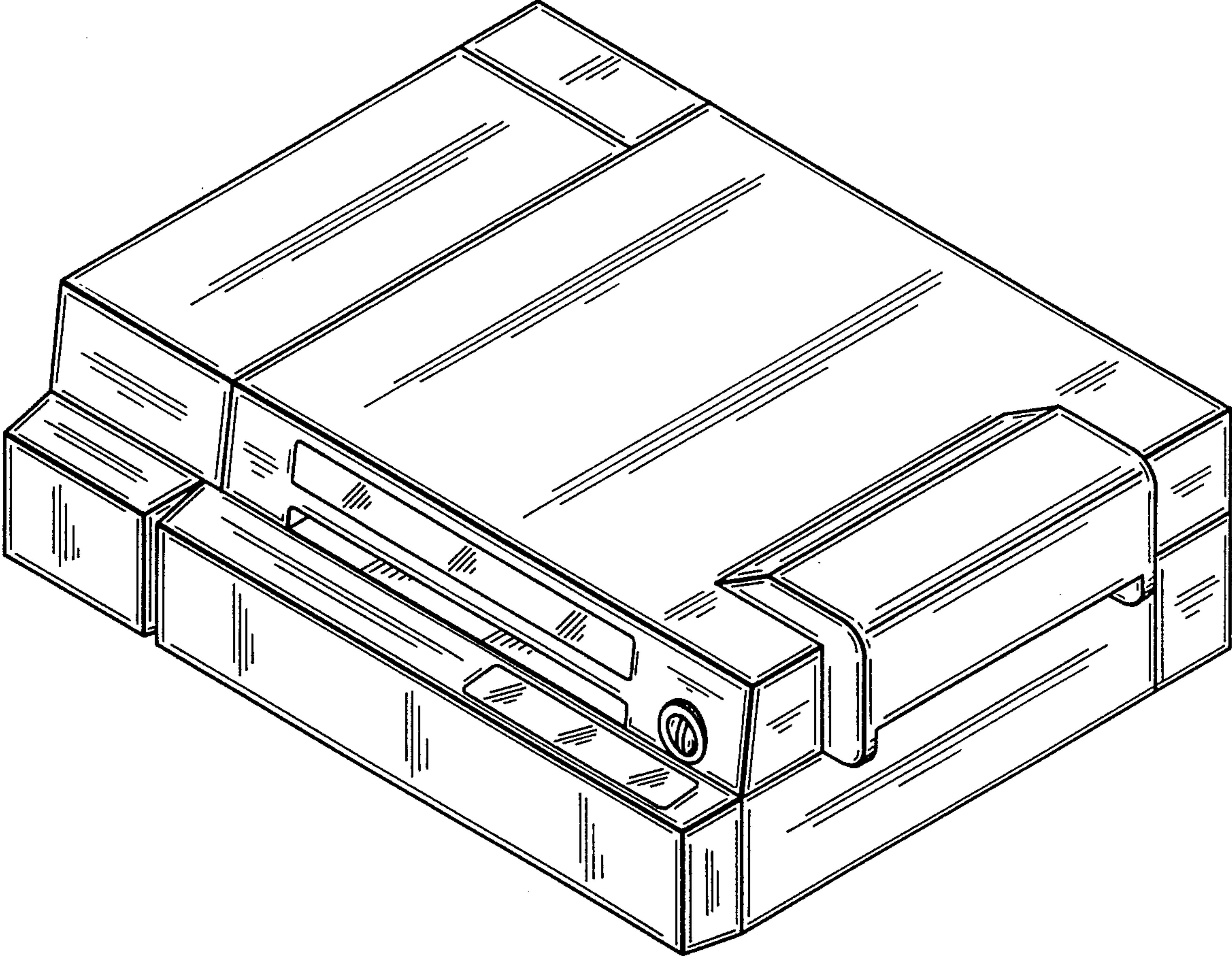
FIG\_2



FIG\_4



FIG\_6



*FIG\_7*