

United States Patent [19]

Sasaki et al.

[11] Patent Number: Des. 309,726

[45] Date of Patent: ** Aug. 7, 1990

[54] TELEPHONE HANDSET

[75] Inventors: Yoshio Sasaki; Hiroyoshi Sato, both of Kawasaki; Iwamasa Nishikado; Tsuneji Kimeda, both of Yokosuka, all of Japan

[73] Assignees: Nitsuko Limited; Nippon Telegraph and Telephone Corporation, both of Tokyo, Japan

[**] Term: 14 Years

[21] Appl. No.: 922,102

[22] Filed: Oct. 22, 1986

[30] Foreign Application Priority Data

May 13, 1986 [JP] Japan 61-17655

[52] U.S. Cl. D14/248; D14/148

[58] Field of Search D14/52, 53, 58, 63, D14/57, 62, 64; 379/440, 419, 433, 434, 435, 436

[56] References Cited

U.S. PATENT DOCUMENTS

D. 229,837 1/1974 Genaro et al. D14/53

D. 246,043	10/1977	Taylor	D14/53
D. 248,758	8/1978	Krolopp et al.	D14/53
D. 255,681	7/1980	Read et al.	D14/53
D. 259,638	6/1981	Giovanna	D14/53
D. 260,518	5/1981	Larson	D14/53
D. 282,841	3/1986	Inaka	D14/62 X
D. 287,971	1/1987	Bond	D14/53
D. 291,565	8/1987	Okuda	D14/63 X
D. 294,351	2/1988	Richter et al.	D14/57 X
4,675,903	6/1987	Galezian et al.	D14/63 X

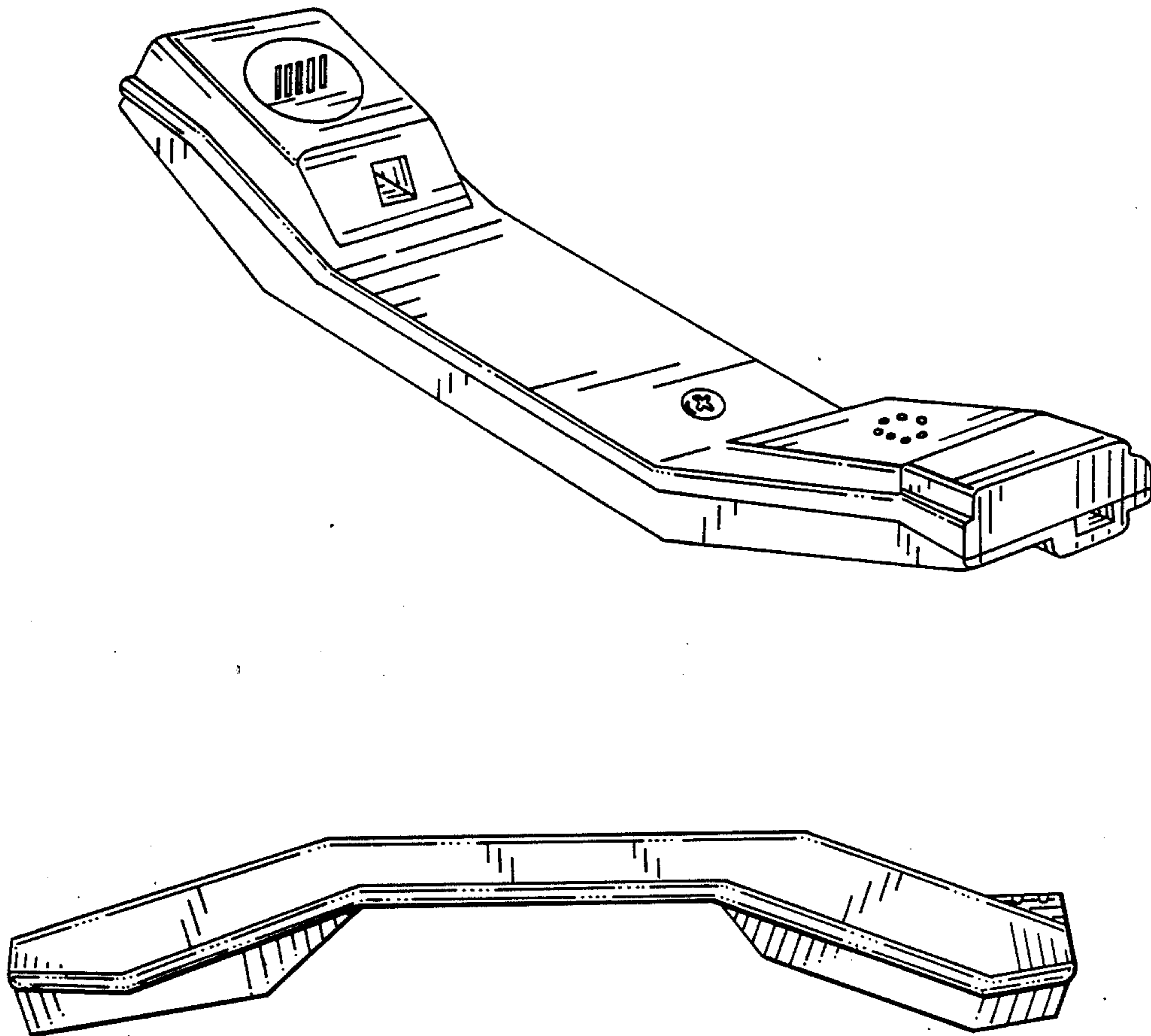
Primary Examiner—Horace B. Fay, Jr.
Attorney, Agent, or Firm—Roberts, Spieccens & Cohen

[57] CLAIM

The ornamental design for telephone handset, as shown and described.

DESCRIPTION

FIG. 1 is a right side, bottom and front perspective view of a telephone handset showing our new design; FIGS. 2 and 3 are respectively bottom and top plan views thereof; FIGS. 4 and 5 are respectively left and right side elevational views thereof; and FIGS. 6 and 7 are respectively front and rear elevational views thereof.



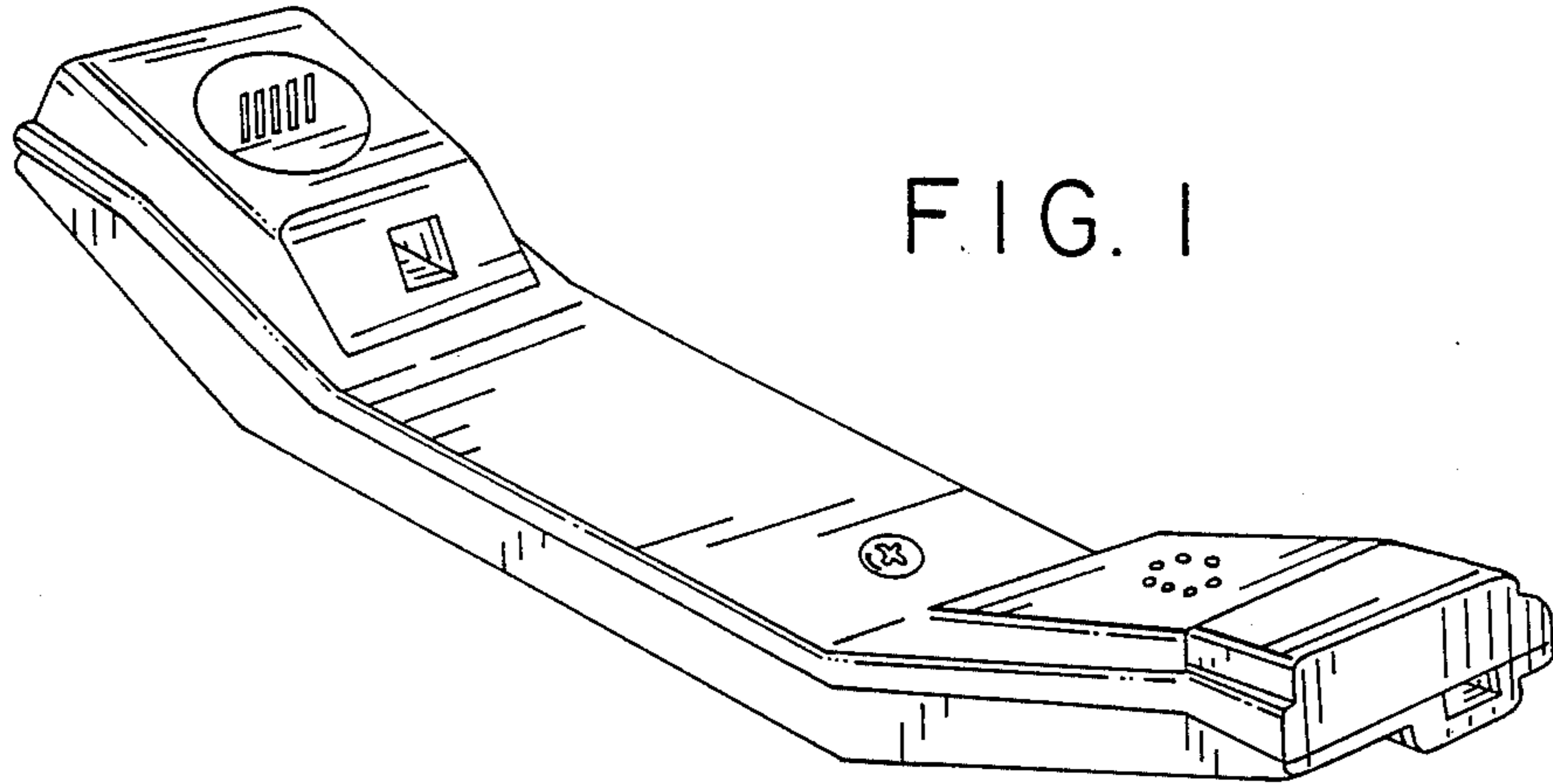


FIG. 1

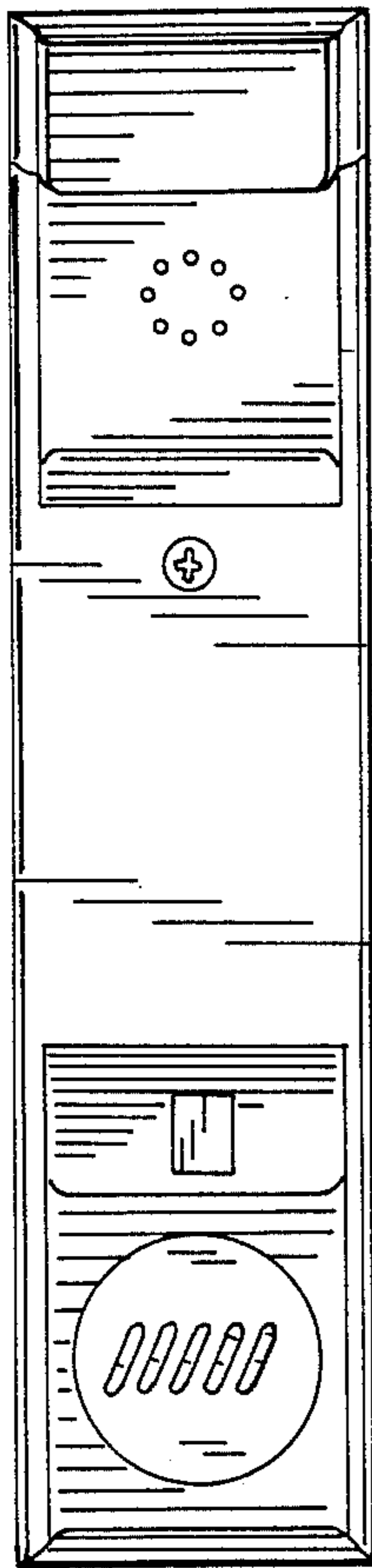


FIG. 2

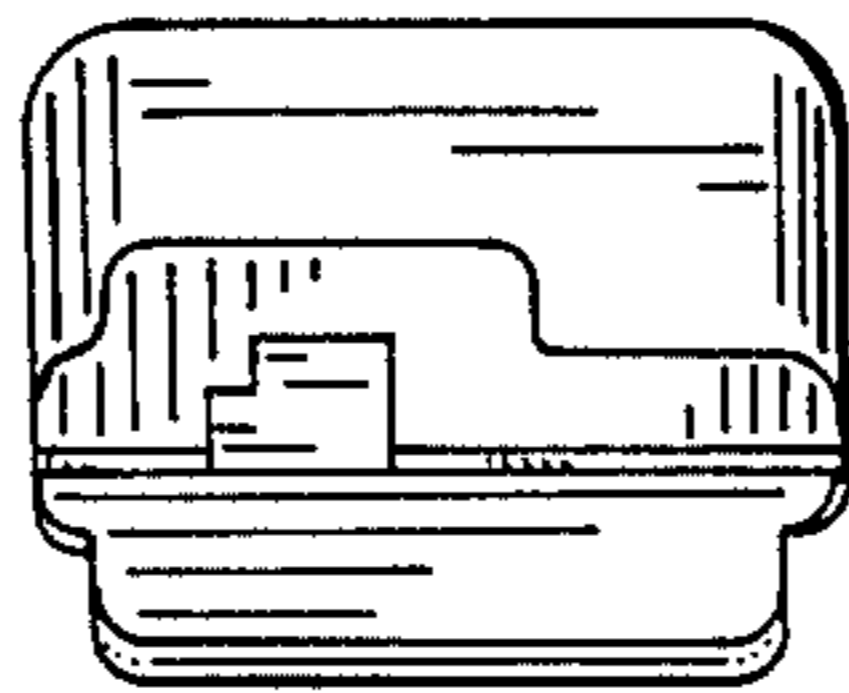


FIG. 6

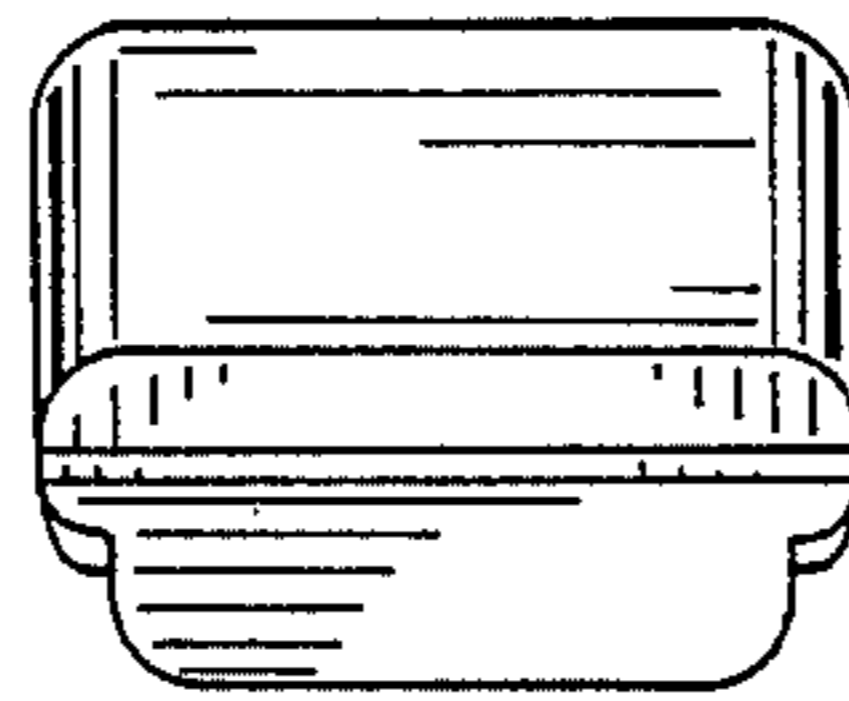


FIG. 7

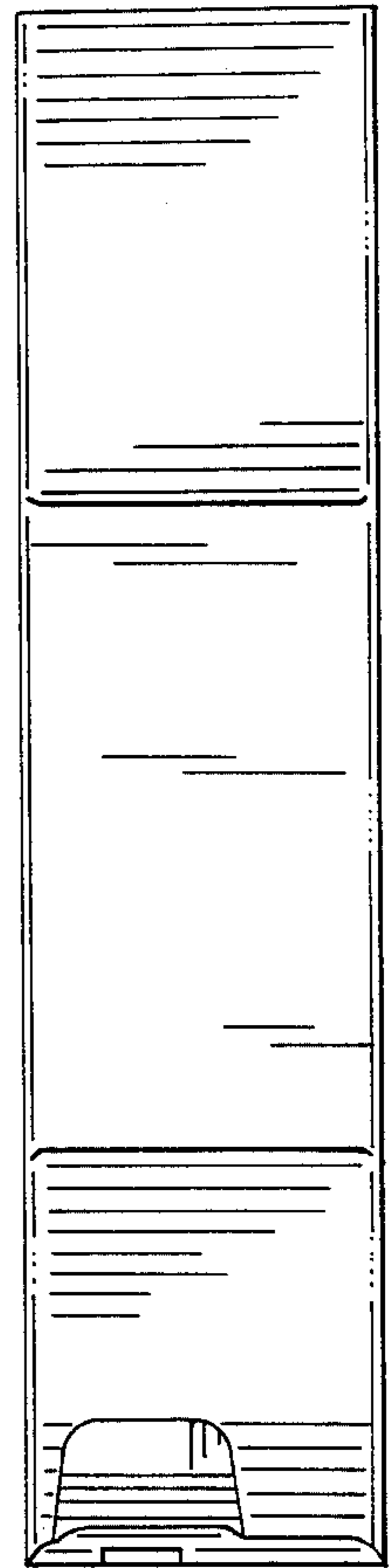


FIG. 3

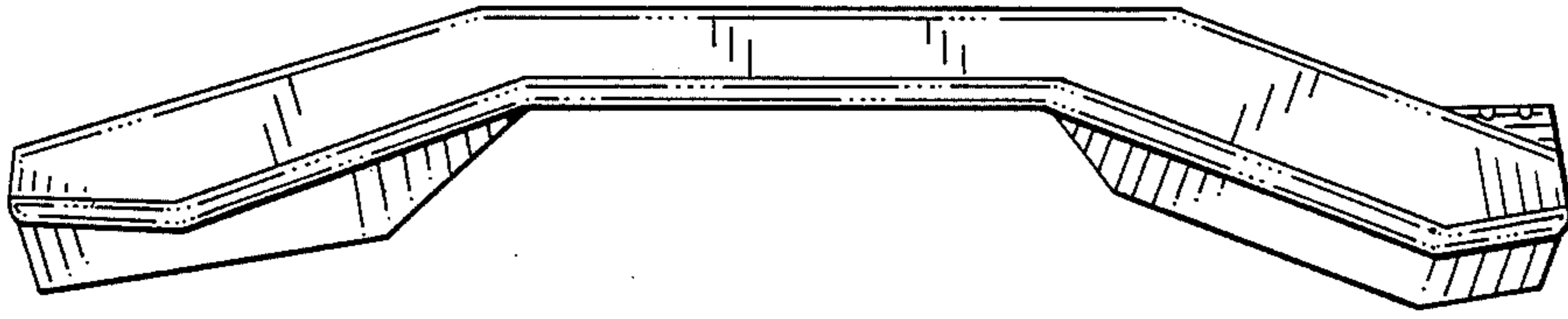


FIG. 4

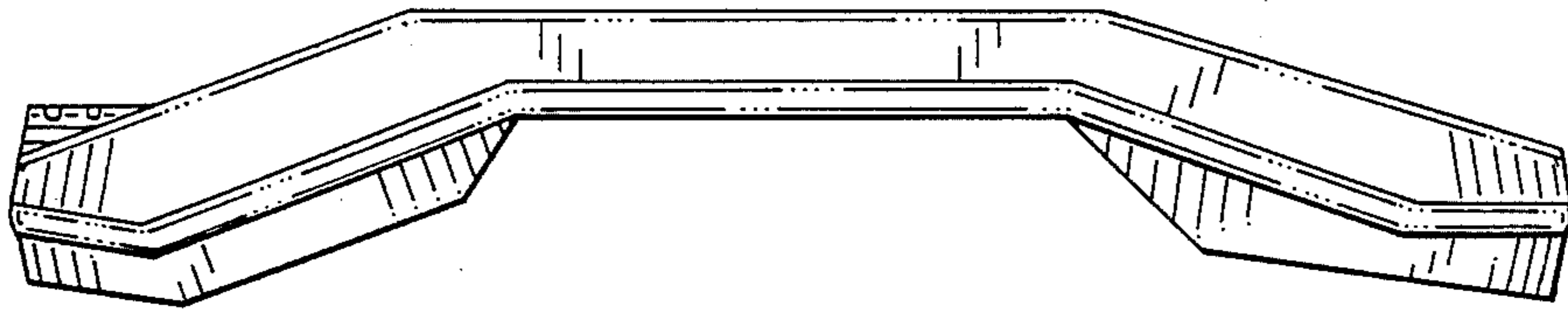


FIG. 5