

United States Patent [19]
O'Grady

[11] **Patent Number: Des. 309,725**
[45] **Date of Patent: ** Aug. 7, 1990**

[54] **ELECTRICAL CONNECTOR**

[75] **Inventor: Thomas R. O'Grady, Fort Wayne, Ind.**

[73] **Assignee: United Technologies Automotive, Inc., Dearborn, Mich.**

[**] **Term: 14 Years**

[21] **Appl. No.: 107,815**

[22] **Filed: Oct. 13, 1987**

[52] **U.S. Cl. D13/133**

[58] **Field of Search D13/24; 439/578, 586-592, 439/595, 598, 603, 606, 607, 629, 630, 631, 680, 681, 692, 347, 350**

[56] **References Cited**

U.S. PATENT DOCUMENTS

D. 223,000 2/1972 Trickey D13/24
D. 287,238 12/1986 Challans D13/24

4,343,523 8/1982 Cairns et al. 439/588
4,702,542 10/1987 Noyes 439/557 X
4,711,508 12/1987 Sueyoshi 439/595
4,810,205 3/1989 O'Grady 439/350

Primary Examiner—Susan J. Lucas

[57] **CLAIM**

The ornamental design for an electrical connector, as shown and described.

DESCRIPTION

FIG. 1 is a top, front, right side perspective view of an electrical connector showing my new design;
FIG. 2 is an enlarged, bottom, plan view thereof;
FIG. 3 is an enlarged, left side, elevational view thereof, with the opposite side being a mirror image thereof;
FIG. 4 is an enlarged, rear end, elevational view thereof;
FIG. 5 is an enlarged, front end, elevational view thereof; and
FIG. 6 is an enlarged, top, plan view thereof.

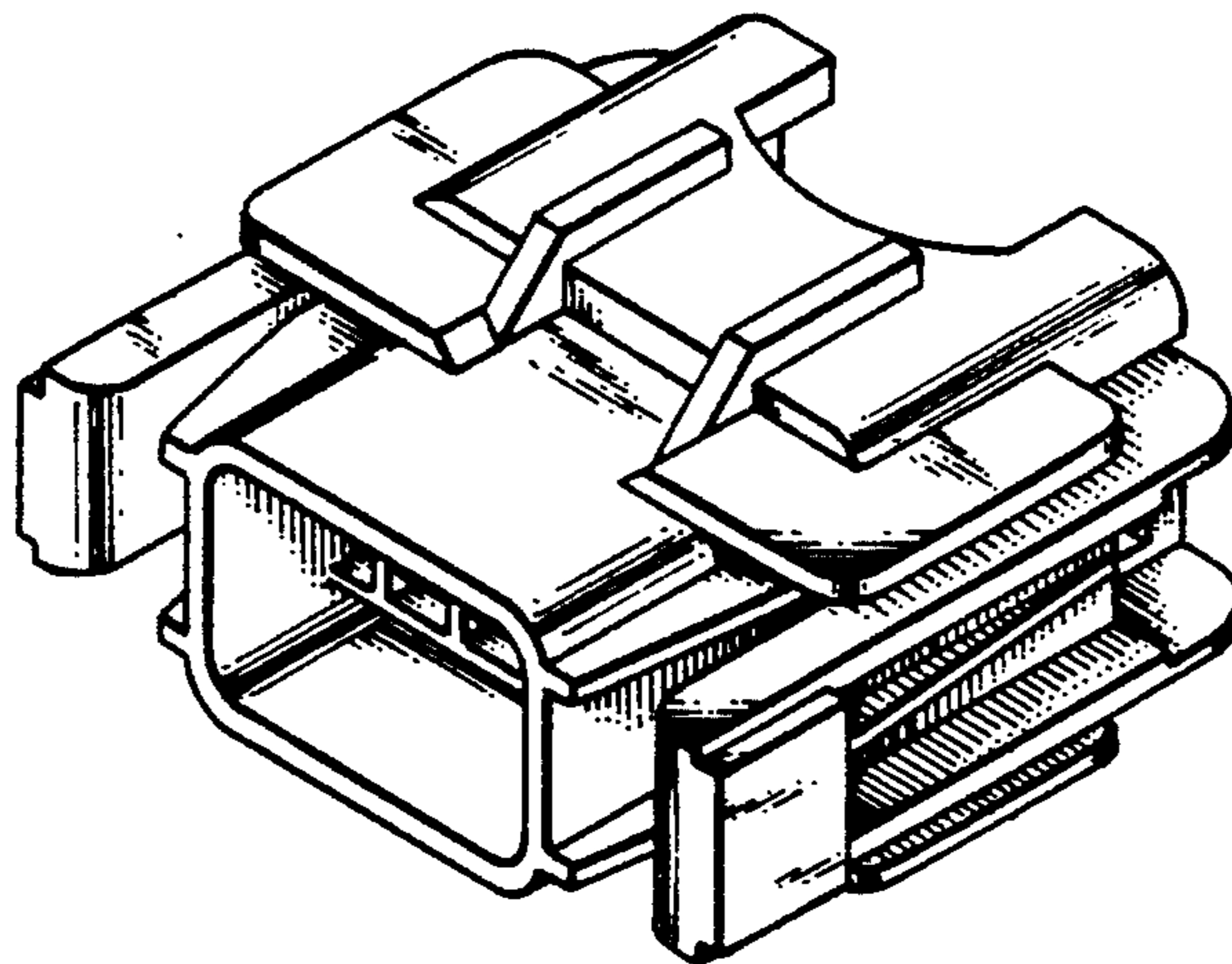


FIG. 1

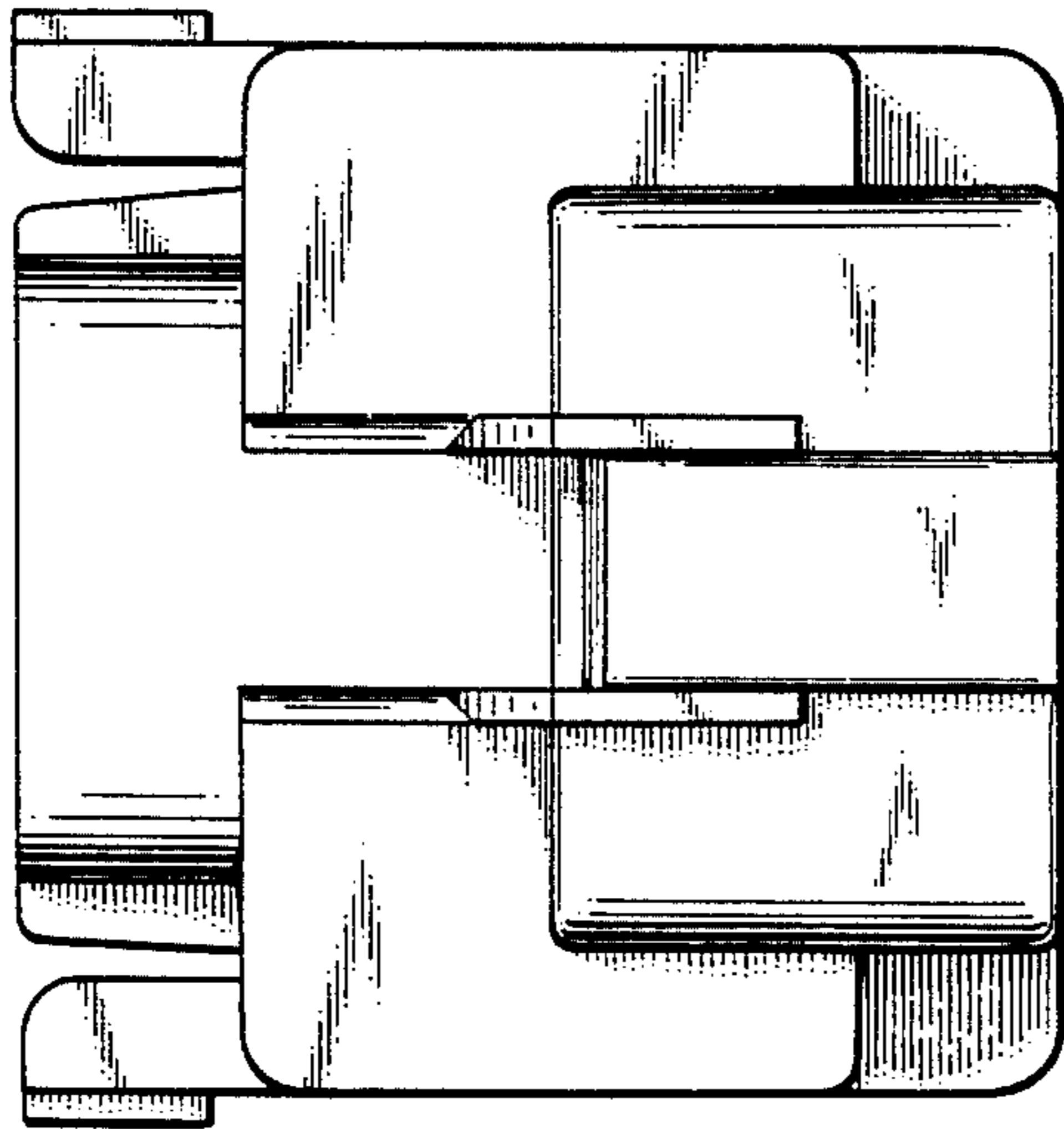
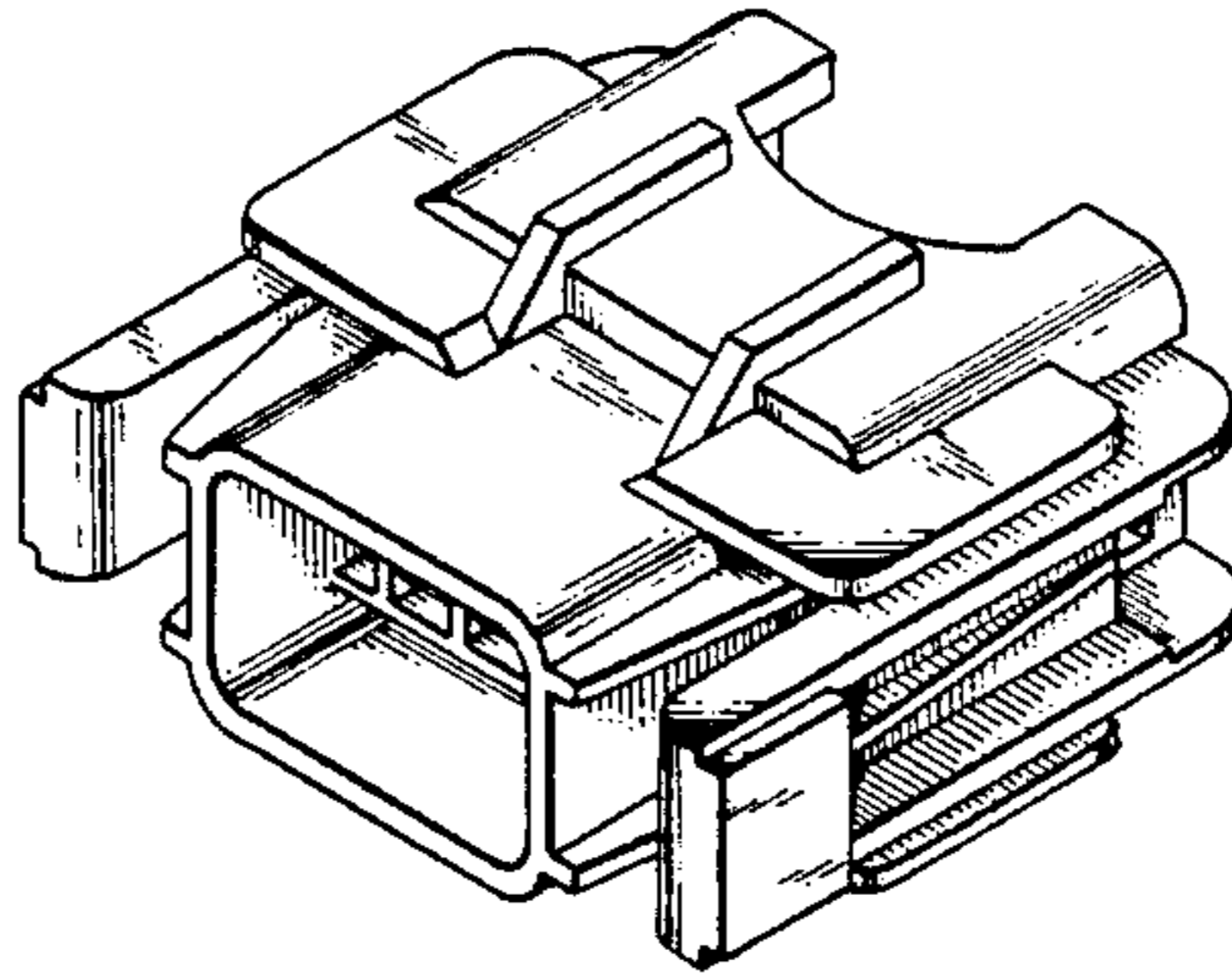


FIG. 2

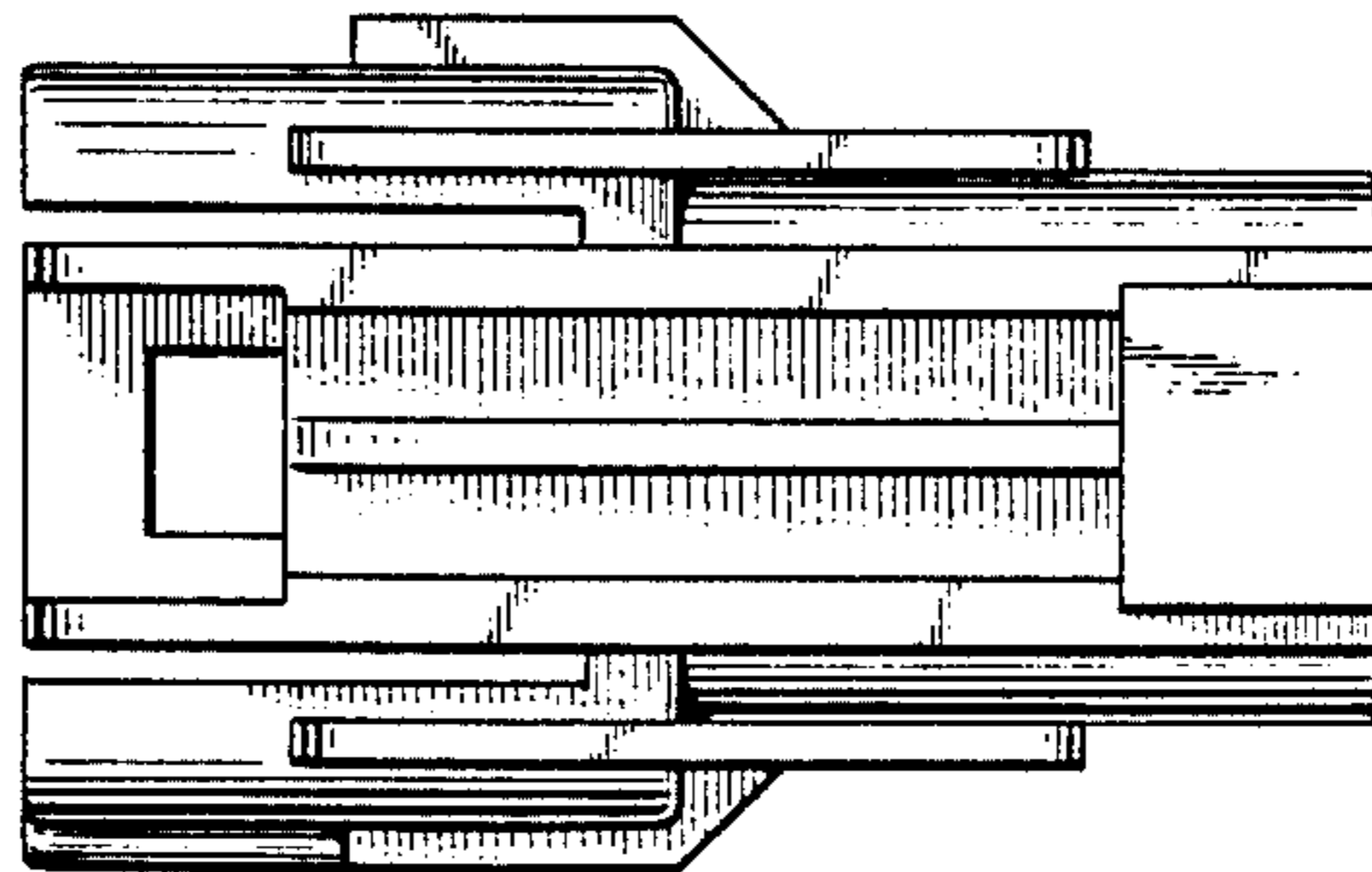


FIG. 3

FIG. 4

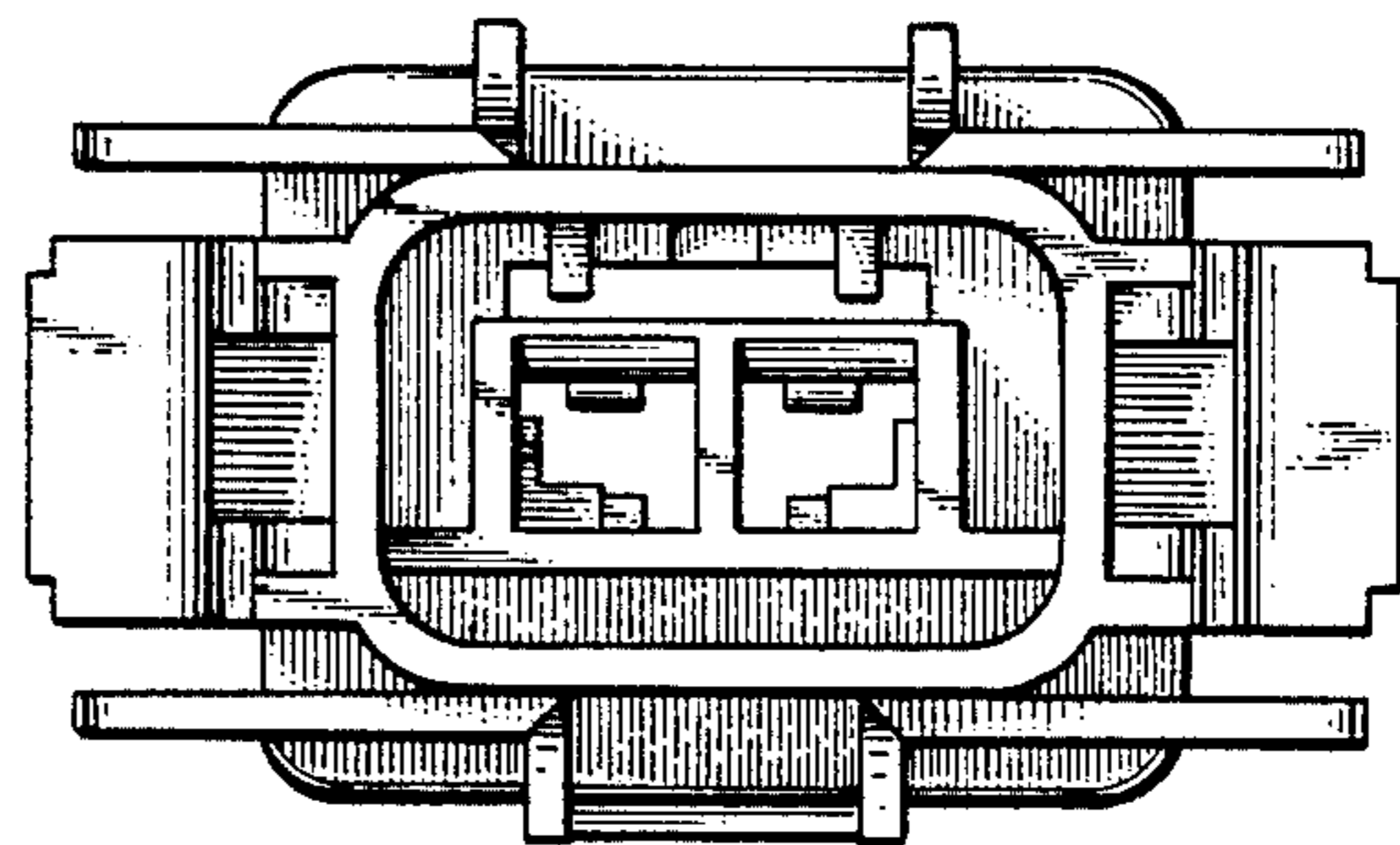
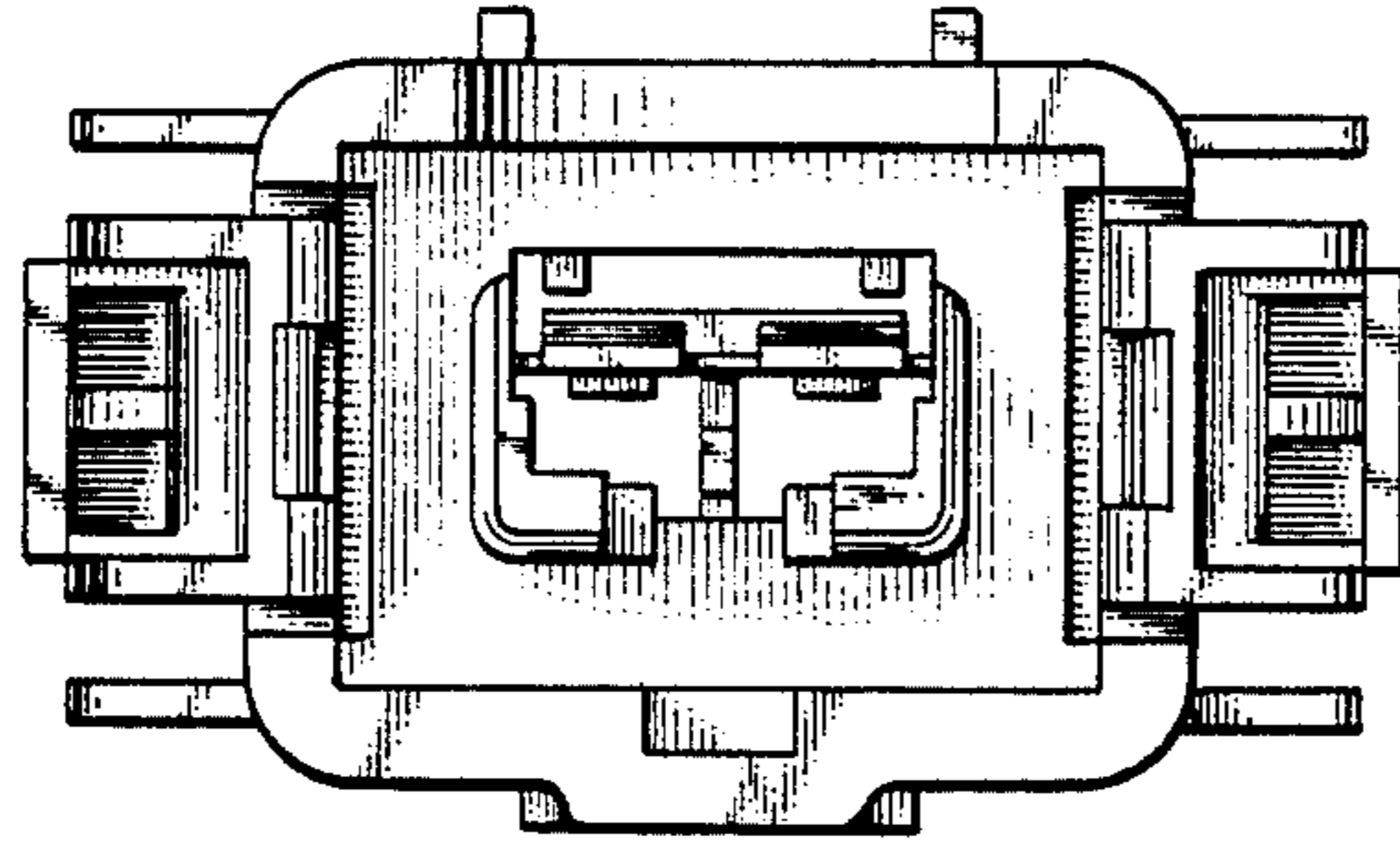


FIG. 5

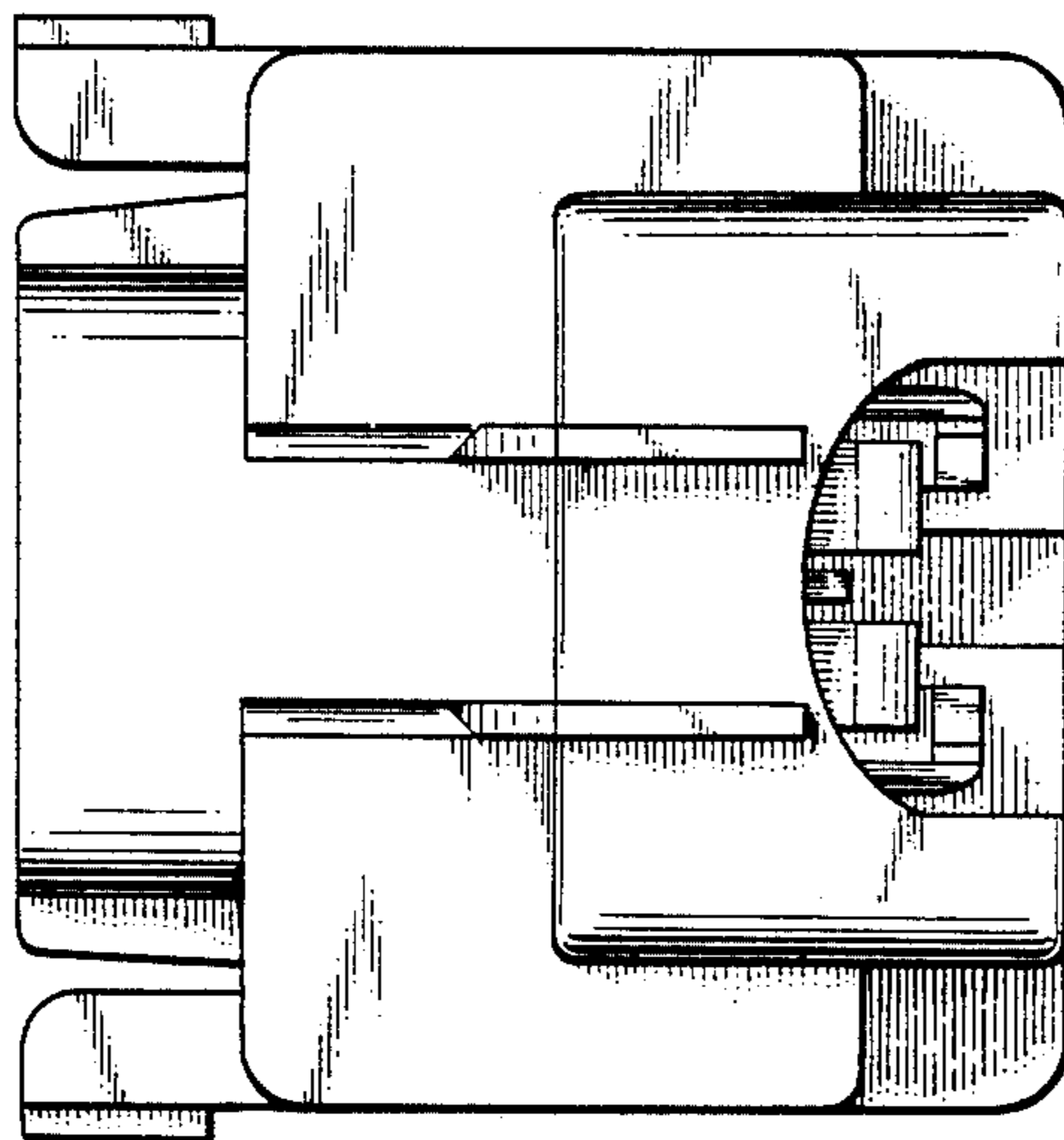


FIG. 6