

[54] **LIGHTED MUD FLAP**

[76] **Inventor: J. Ben Jurgens, R.R. 2, Box 152A2, Buffalo, Mo. 65622**

[\*\*] **Term: 14 Years**

[21] **Appl. No.: 153,666**

[22] **Filed: Feb. 8, 1988**

[52] **U.S. Cl. .... D12/185**

[58] **Field of Search ..... D12/185; 280/851; 362/80; D26/34**

[56] **References Cited**

**U.S. PATENT DOCUMENTS**

D. 179,357 12/1956 Price ..... D12/185  
4,413,839 11/1983 McCain ..... 280/851

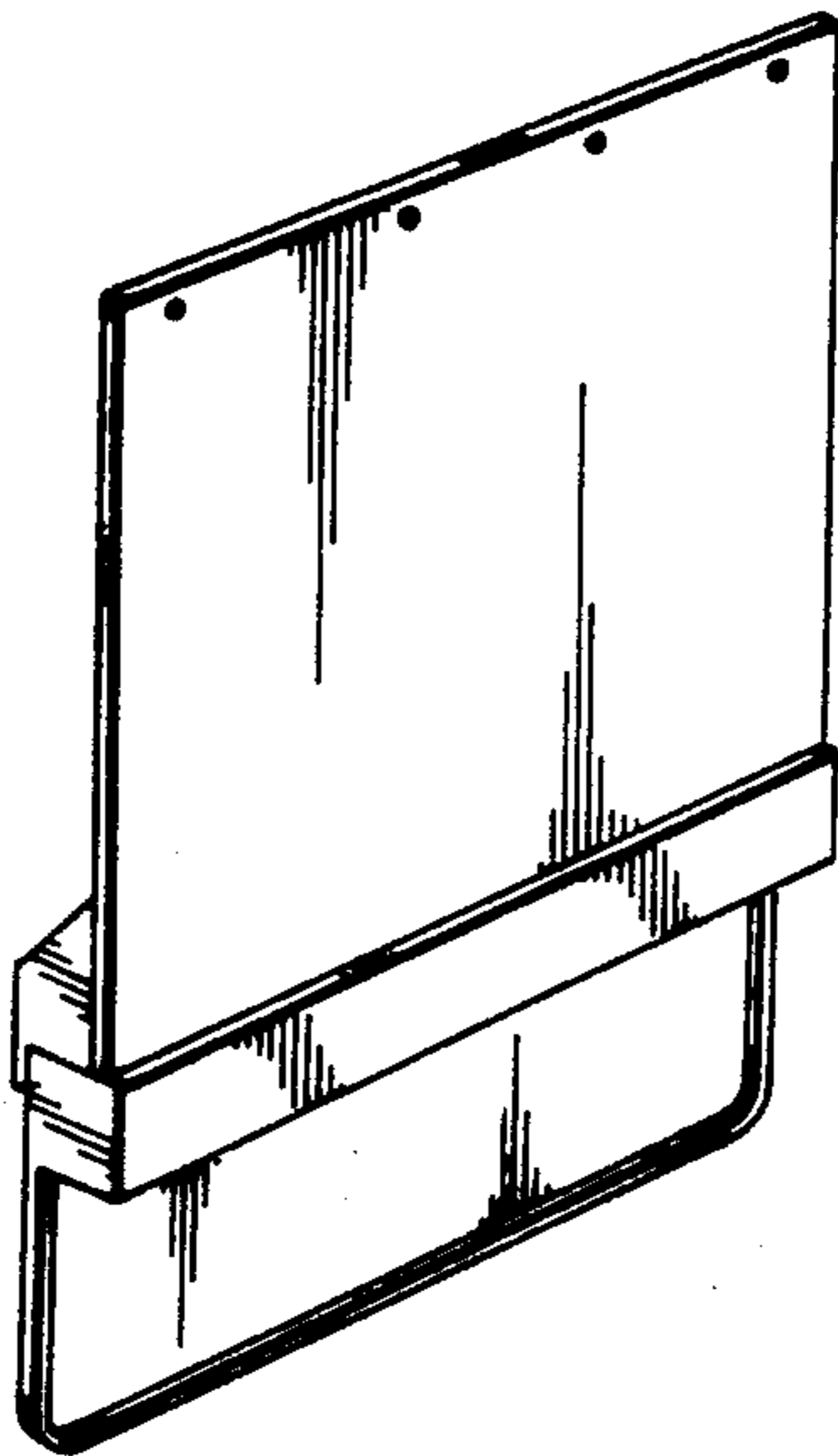
*Primary Examiner—James M. Gandy*  
*Attorney, Agent, or Firm—Litman, McMahon & Brown*

[57] **CLAIM**

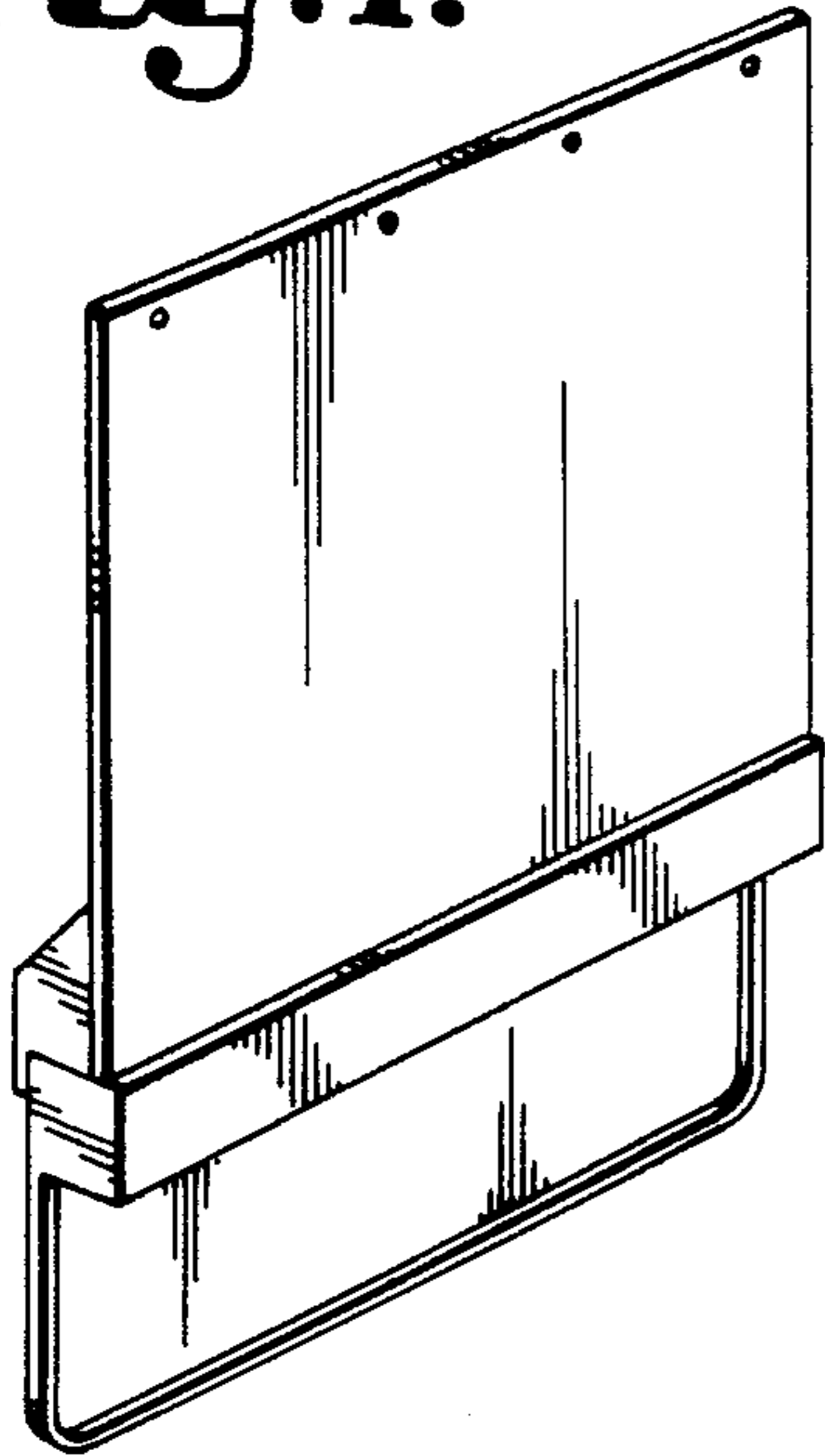
The ornamental design for a lighted mud flap, as shown and described.

**DESCRIPTION**

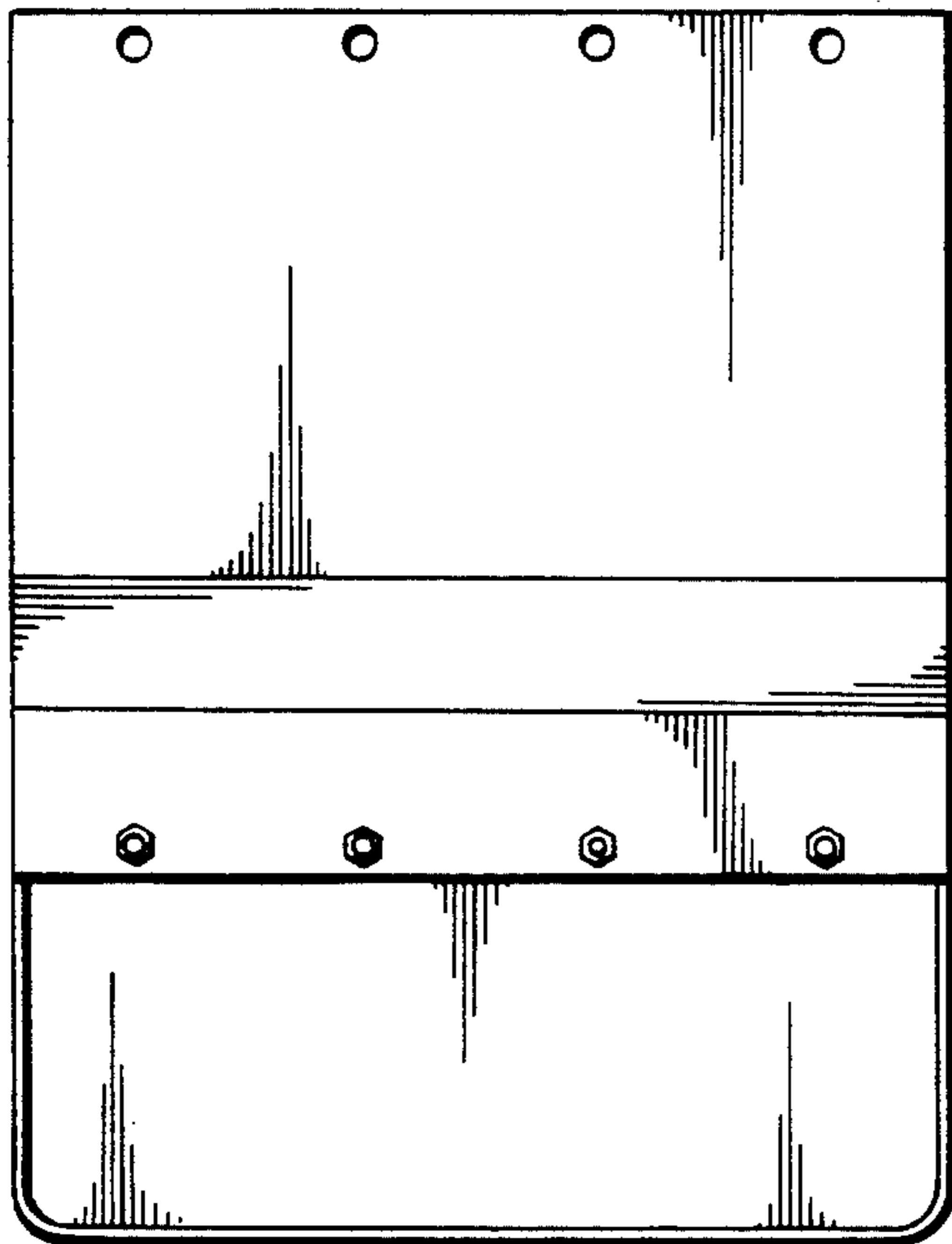
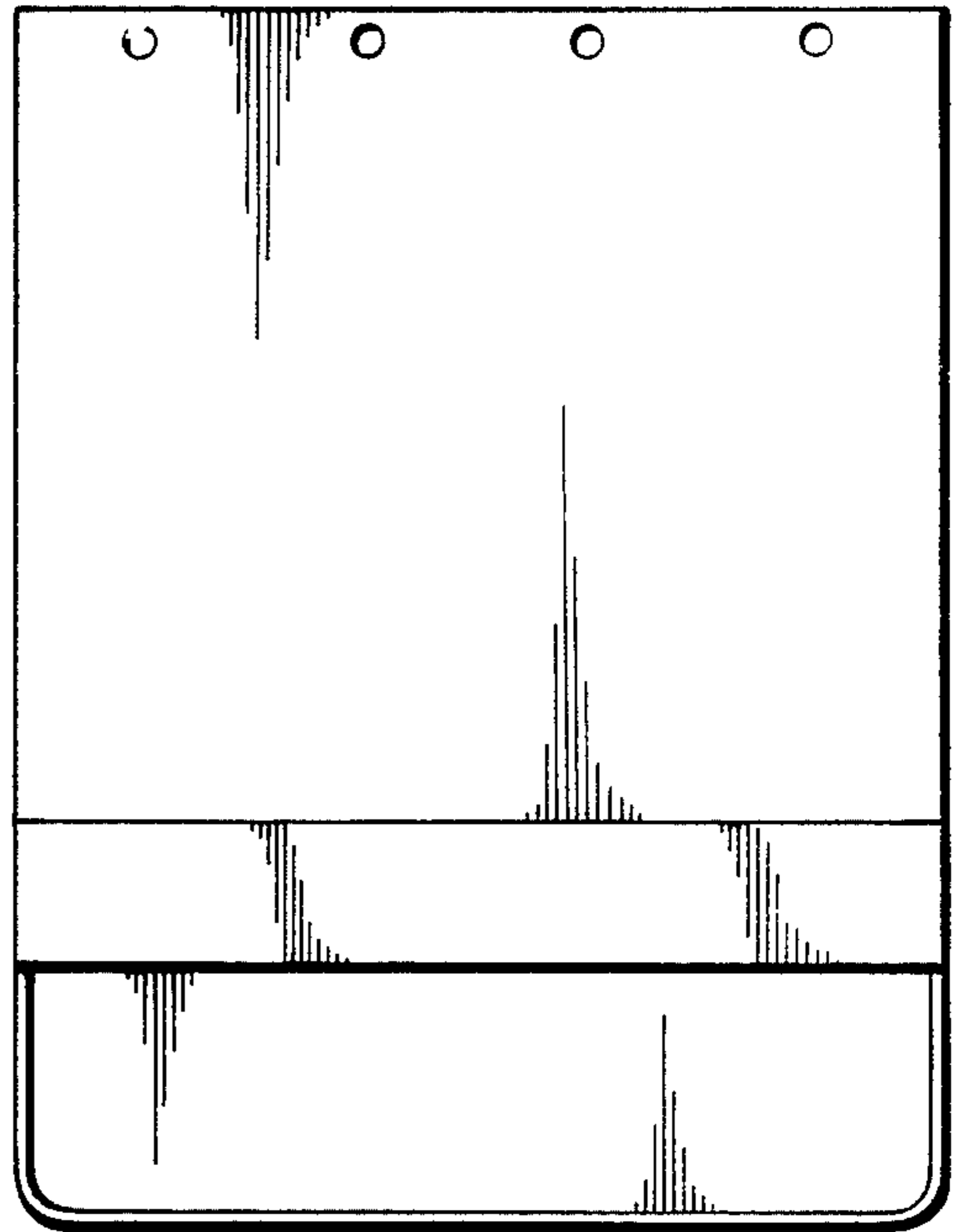
FIG. 1 is a perspective view of a lighted mud flap, showing my new design;  
FIG. 2 is a rear elevational view thereof;  
FIG. 3 is a front elevational view thereof;  
FIG. 4 is a right side elevational view thereof, the left side being a mirror image thereof;  
FIG. 5 is a top plan view thereof; and  
FIG. 6 is a bottom plan view thereof.



**Fig. 1.**

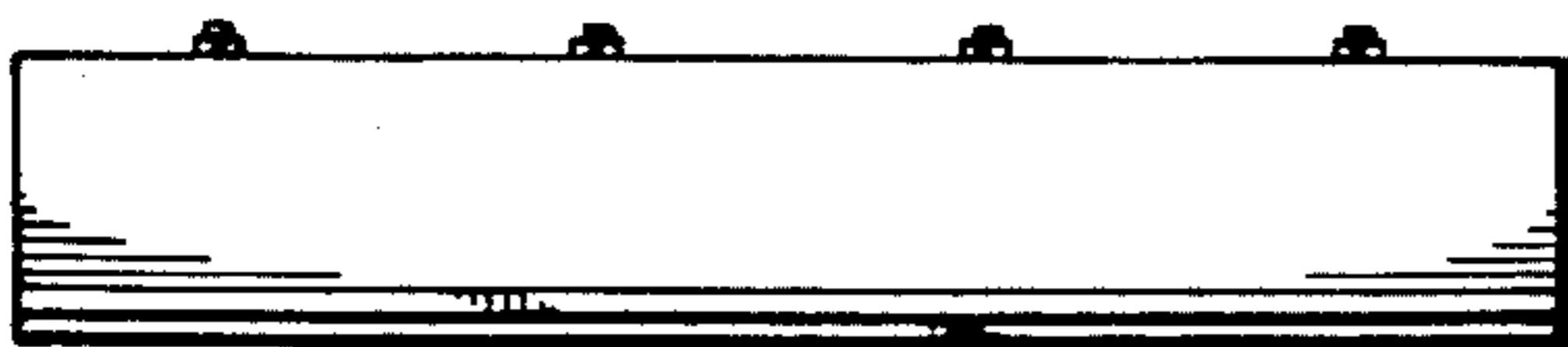
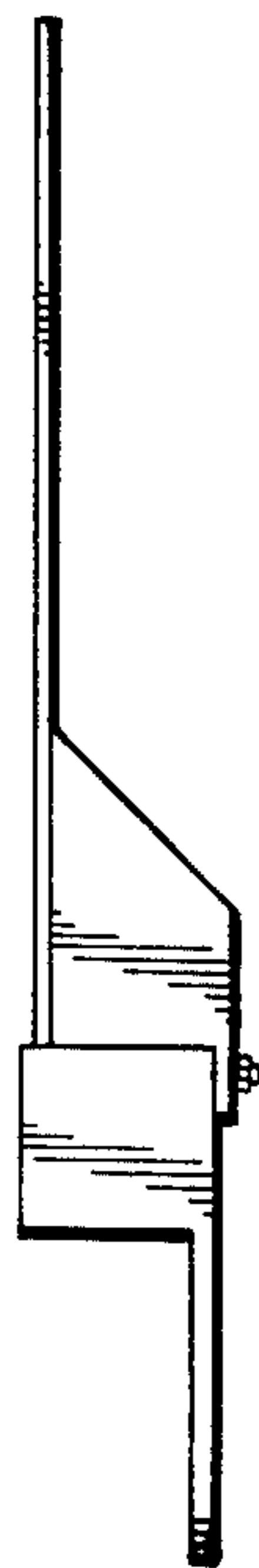


**Fig. 2.**



**Fig. 3.**

**Fig. 4.**



**Fig. 5.**

**Fig. 6.**

