

[54] **ANALYTICAL BALANCE**

[75] **Inventors:** Peter F. Handlbauer, Valence, France; Michel H. Jacot, La Chaux-de-Fonds, Switzerland; Remy Jacquet, LeLocle, Switzerland; Yves Marmier, La Chaux-de-Fonds, Switzerland

[73] **Assignee:** Mettler Instrumente AG, Greifensee, Switzerland

[\*\*] **Term:** 14 Years

[21] **Appl. No.:** 43,293

[22] **Filed:** Apr. 28, 1987

[52] **U.S. Cl.** ..... D10/91

[58] **Field of Search** ..... D10/87, 89, 91, 94, D10/95; 177/180, 181, 238, 239, 240, 241, DIG. 3

[56] **References Cited**

**U.S. PATENT DOCUMENTS**

D. 296,307 6/1988 Knothe et al. .... D10/91  
4,664,207 5/1987 Knothe et al. .... 177/181

4,666,005 5/1987 Komoto et al. .... 177/241 X  
4,700,793 10/1987 Lüchinger ..... 177/238 X  
4,789,034 12/1988 Lüchinger et al. .... 177/181

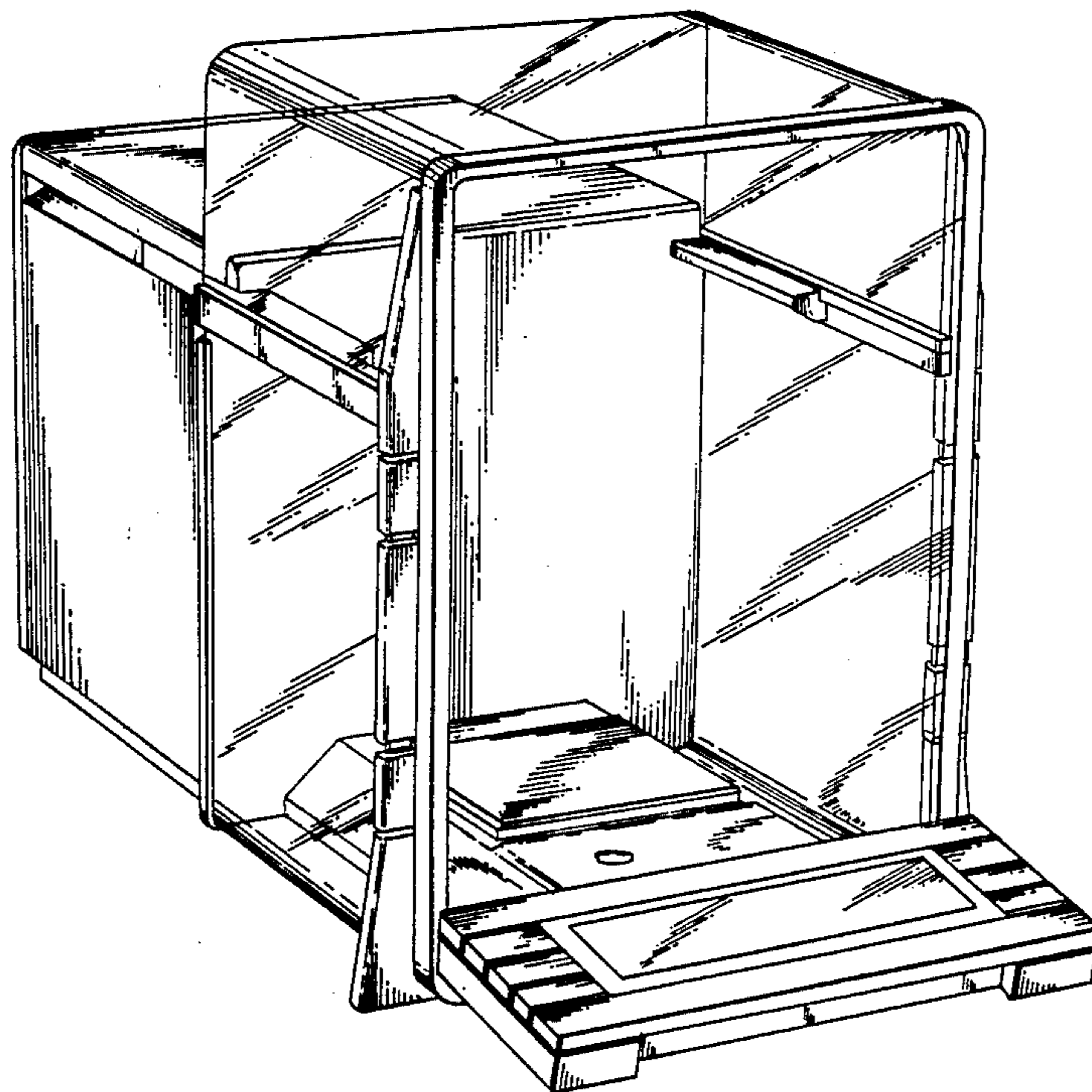
*Primary Examiner*—Nelson C. Holtje  
*Assistant Examiner*—Antoine D. Davis  
*Attorney, Agent, or Firm*—Laubscher, Presta & Laubscher

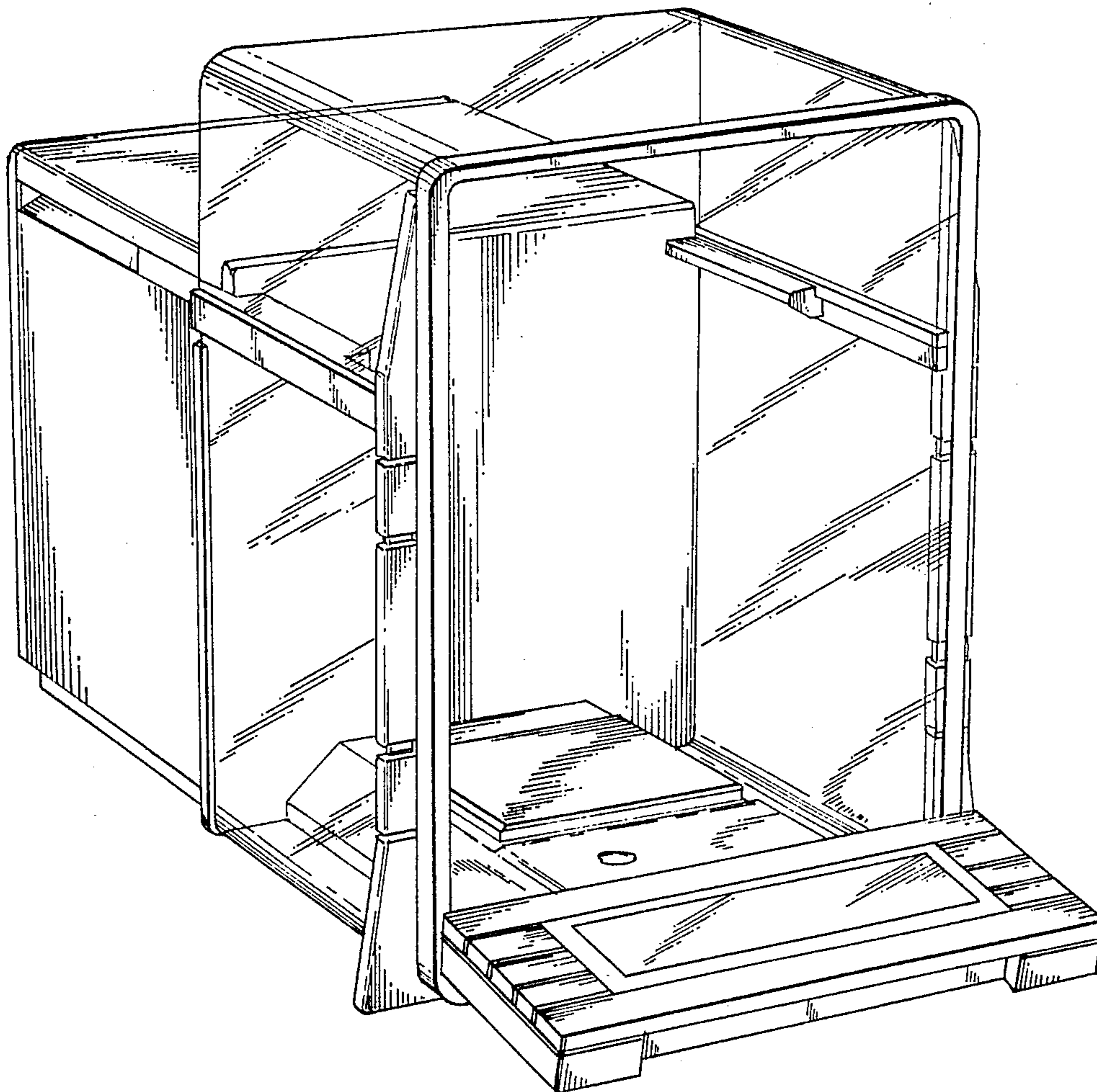
[57] **CLAIM**

The ornamental design for an analytical balance, as shown.

**DESCRIPTION**

FIG. 1 is a top, front, and left side perspective view of the analytical balance showing our new design in a closed position in FIGS. 1-5; FIG. 2 is a right side elevational view; FIG. 3 is a top plan view; FIG. 4 is a front elevational view; FIG. 5 is a rear elevational view; FIG. 6 is a top, front, and left side perspective view in an open position in FIGS. 6-8; FIG. 7 is a right side elevational view; and FIG. 8 is a top plan view thereof.





*FIG. 1*

FIG. 2

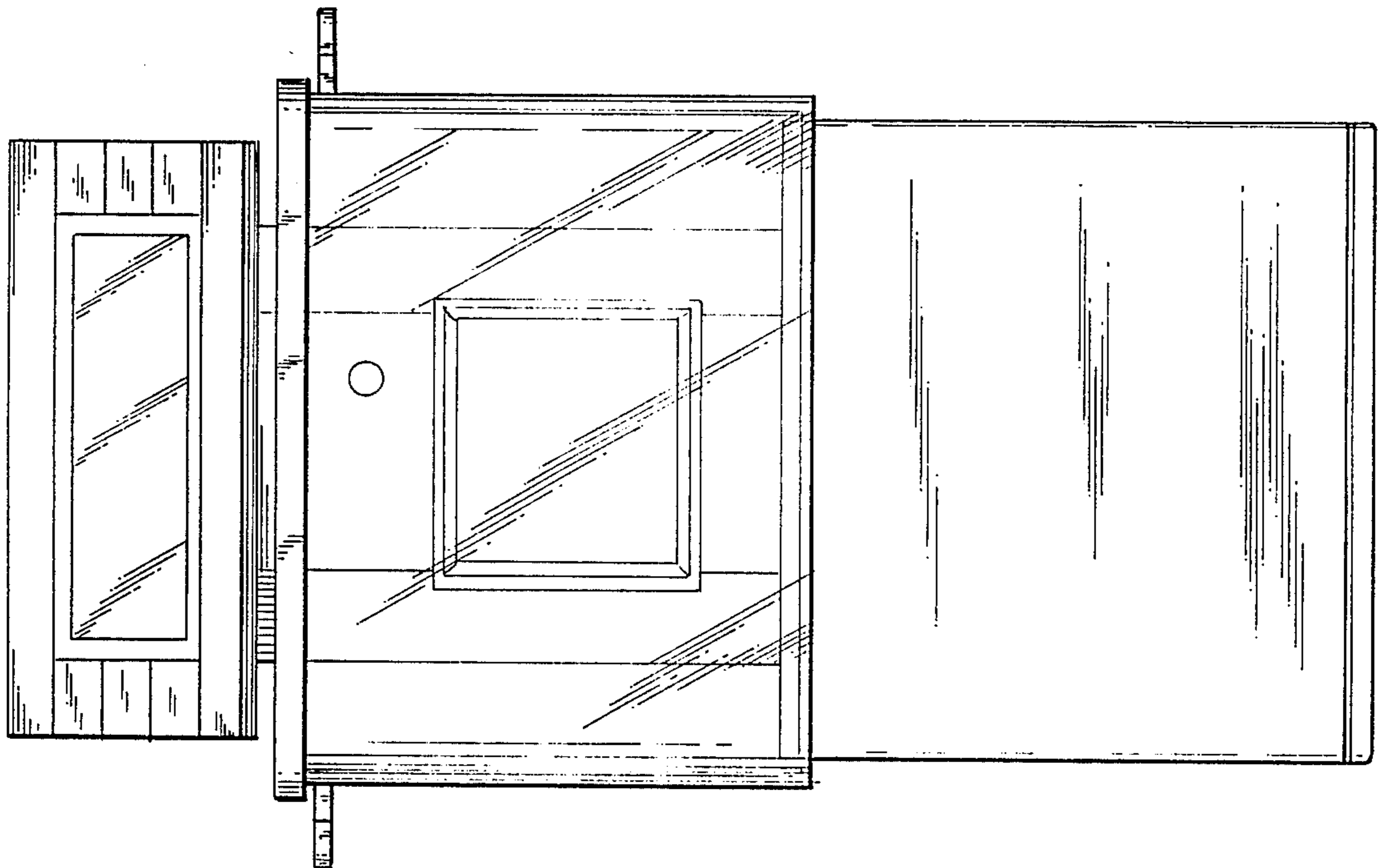
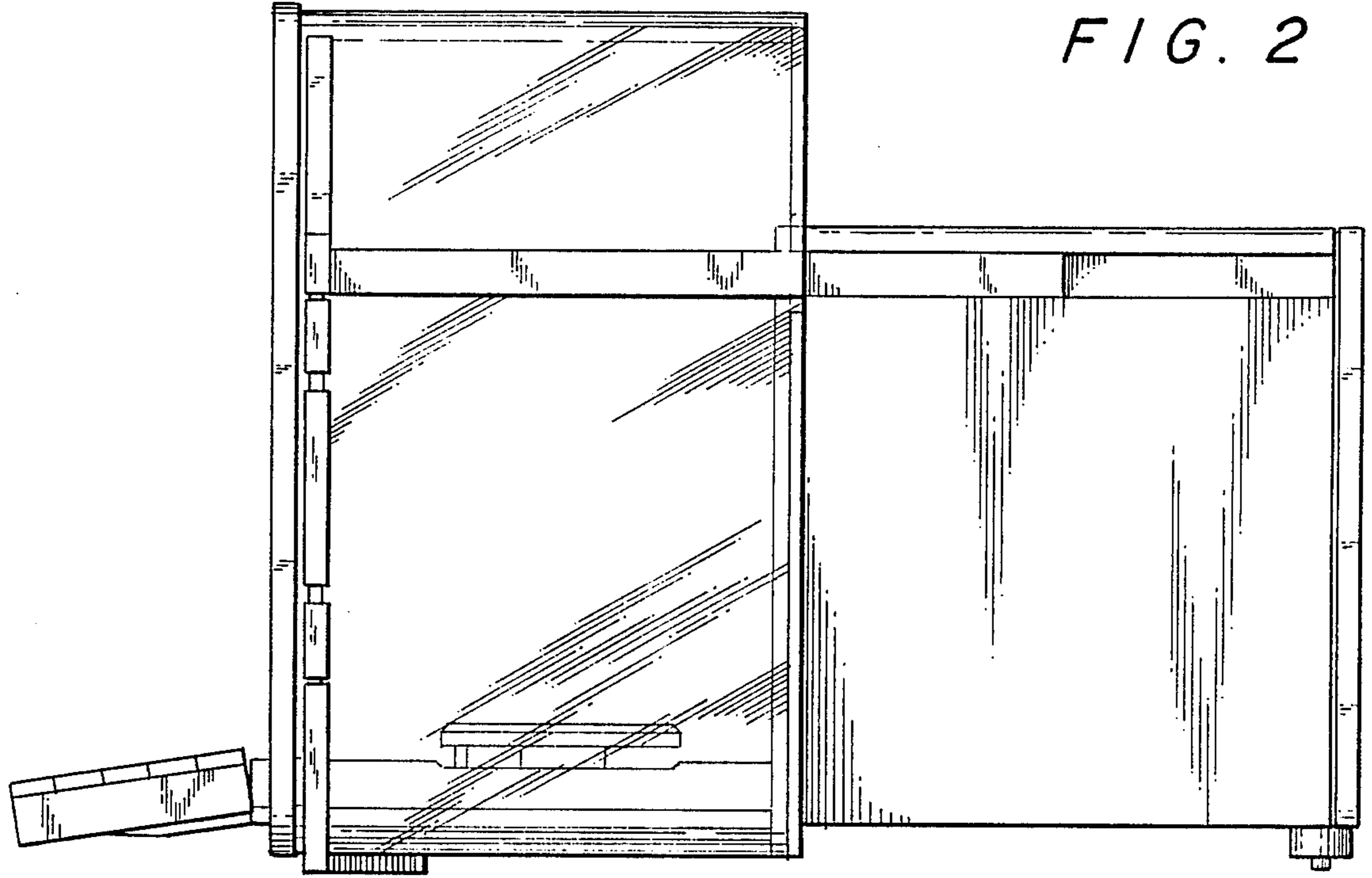


FIG. 3

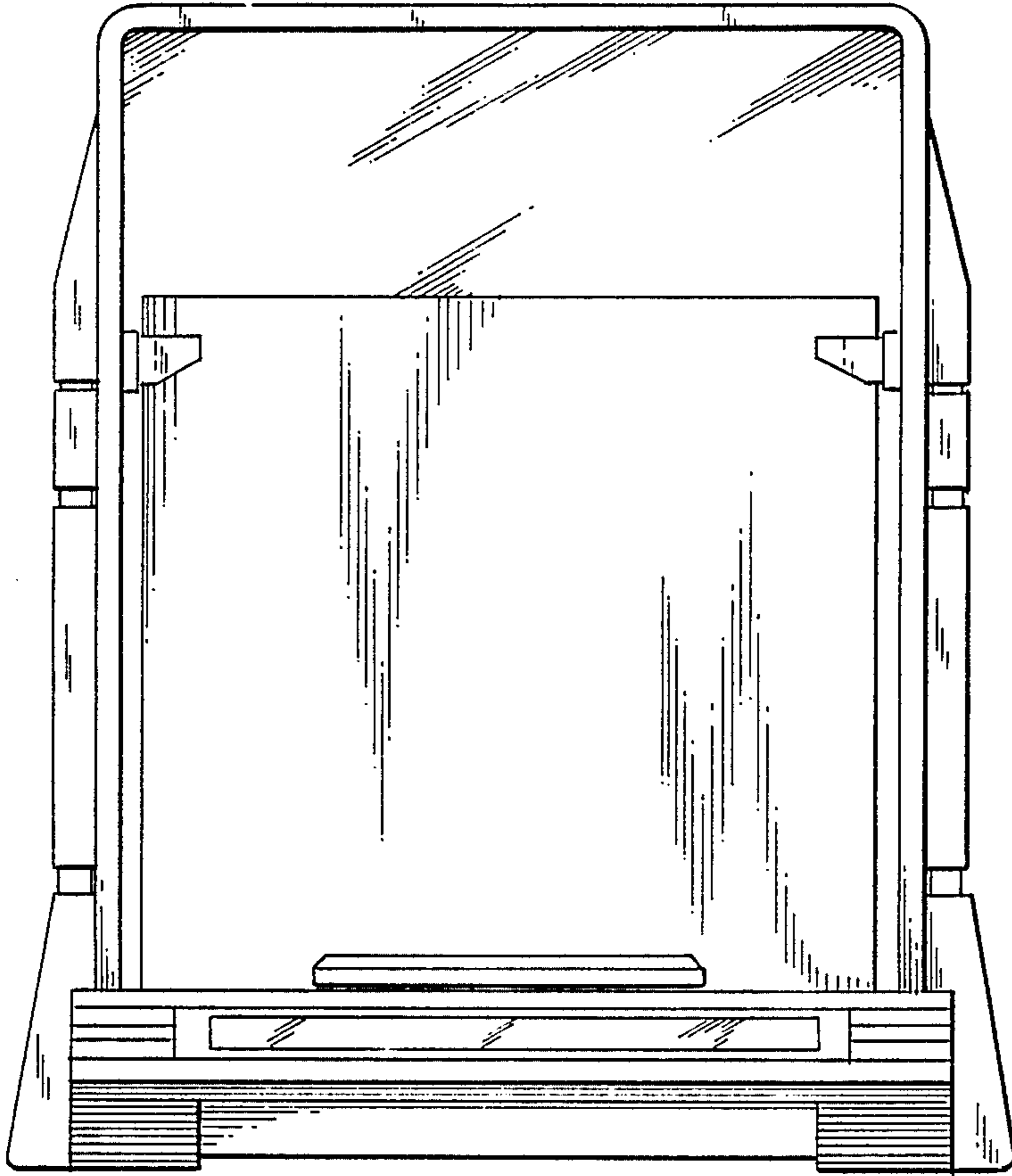


FIG. 4

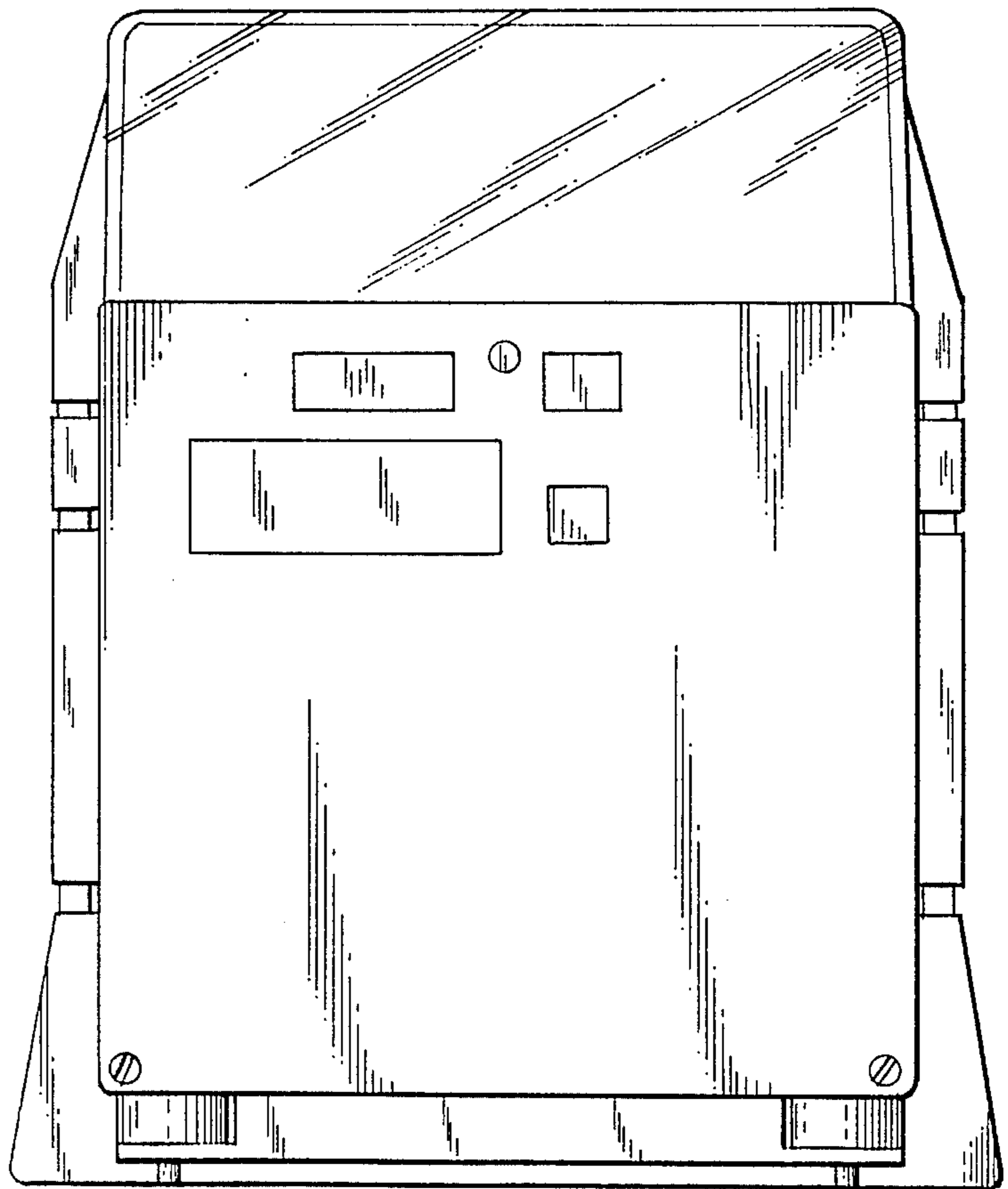


FIG. 5

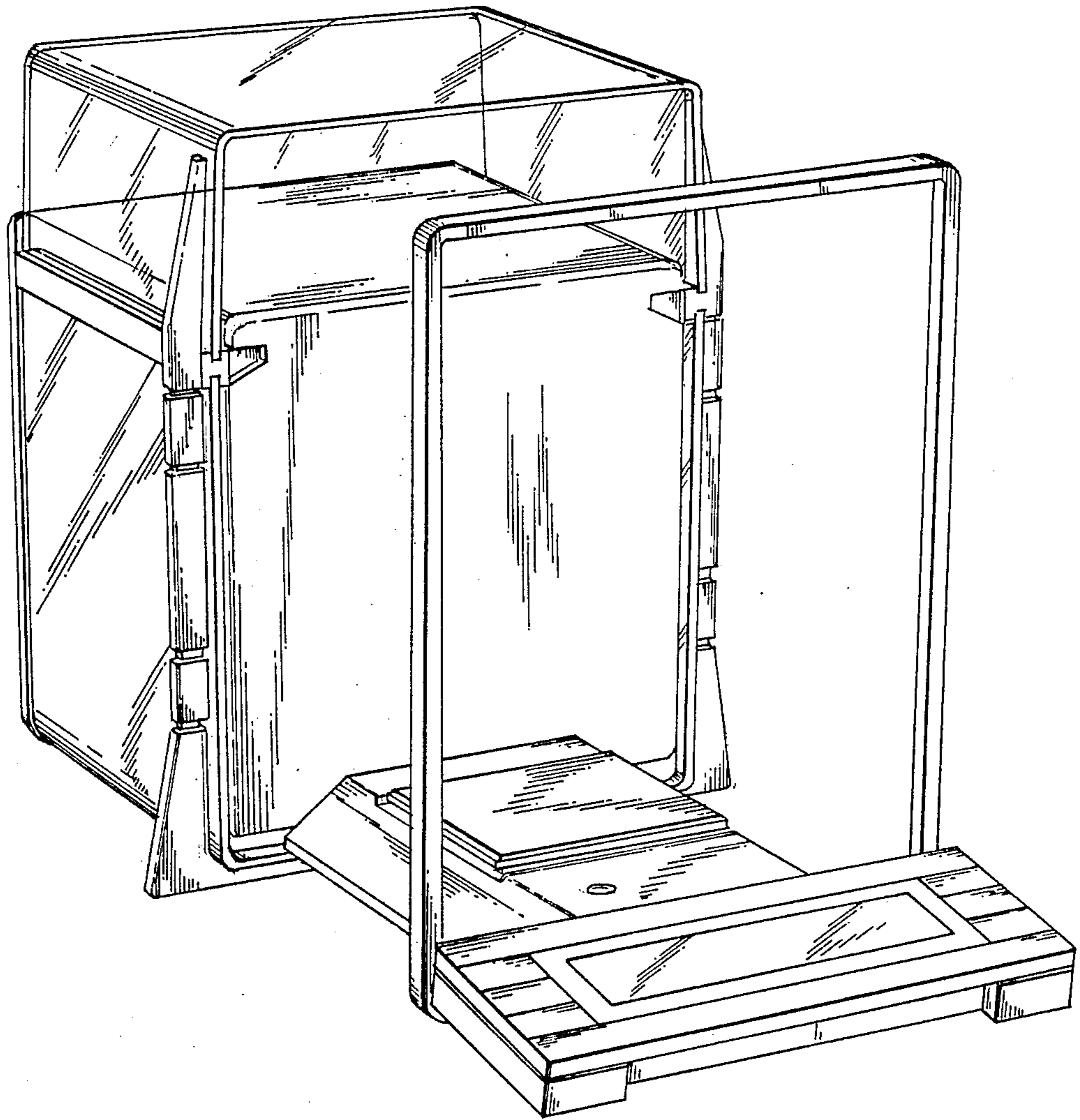


FIG. 6

FIG. 7

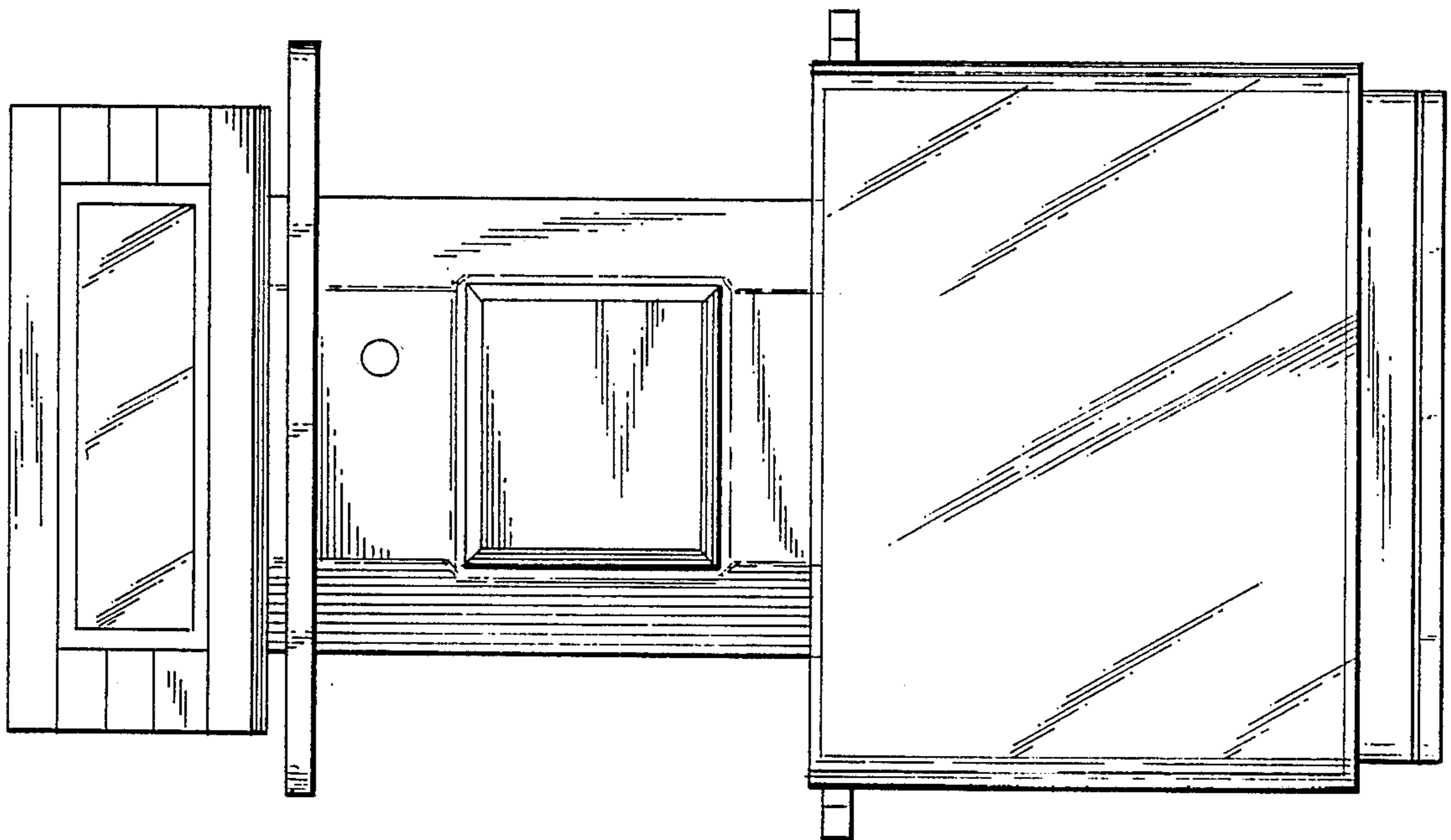
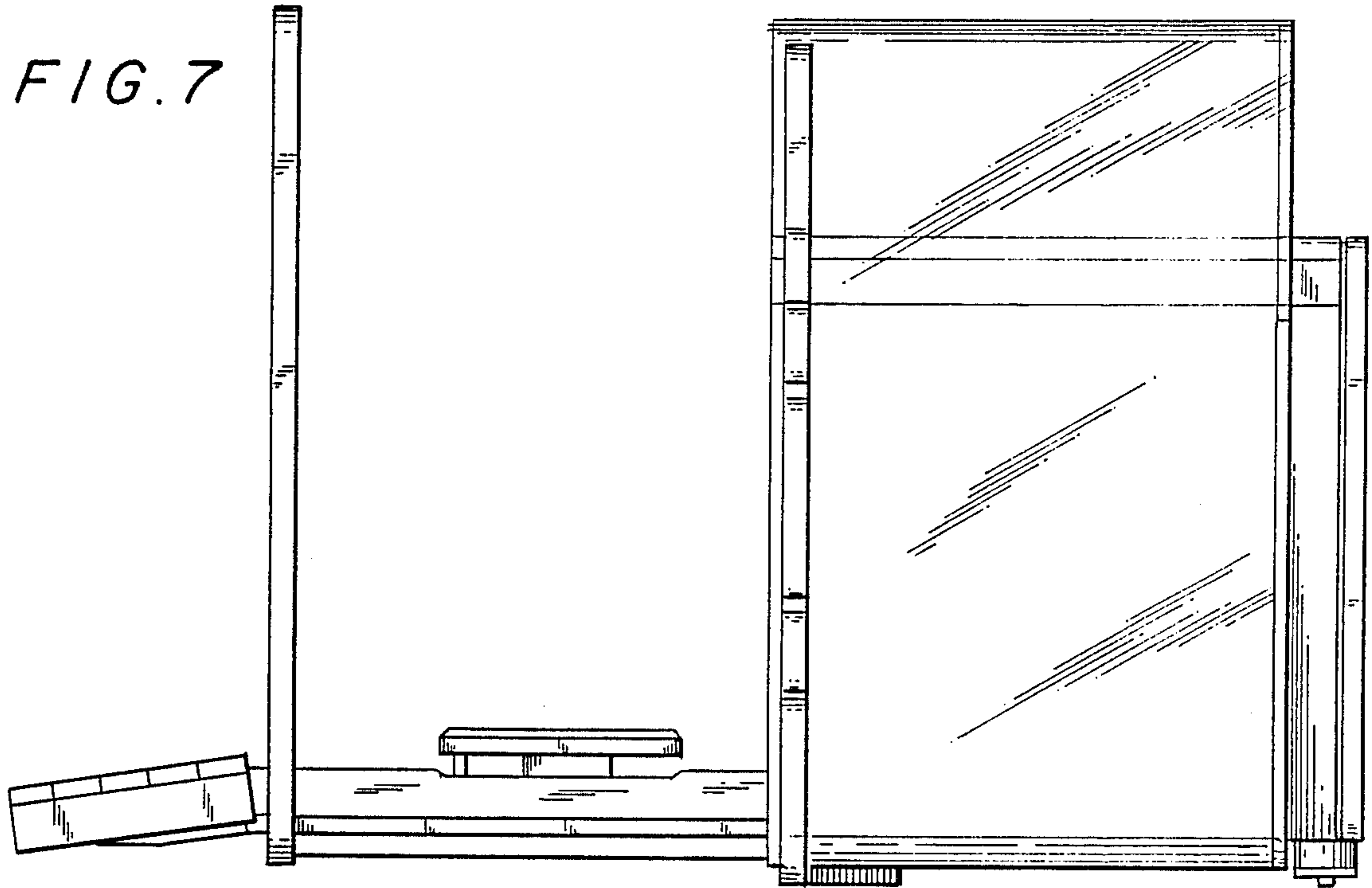


FIG. 8