

United States Patent [19]

Rosa et al.

[11] Patent Number: **Des. 309,708**

[45] Date of Patent: **** Aug. 7, 1990**

[54] **DOORSTOP**

[76] Inventors: **Margery M. Rosa; Gene Rosa**, both of 3-N, 9 Main St., Orleans, Mass. 02653

[**] Term: **14 Years**

[21] Appl. No.: **92,700**

[22] Filed: **Sep. 3, 1987**

[52] U.S. Cl. **D8/402**

[58] Field of Search **D8/402; D11/11; 16/82, 16/86 A; 292/343**

[56] **References Cited**

U.S. PATENT DOCUMENTS

D. 29,287 8/1898 Taliaferro D8/402
D. 246,293 11/1977 Doughty D11/11

2,376,117 5/1945 Bright et al. 16/82
4,368,555 1/1983 Salerno 16/86 A

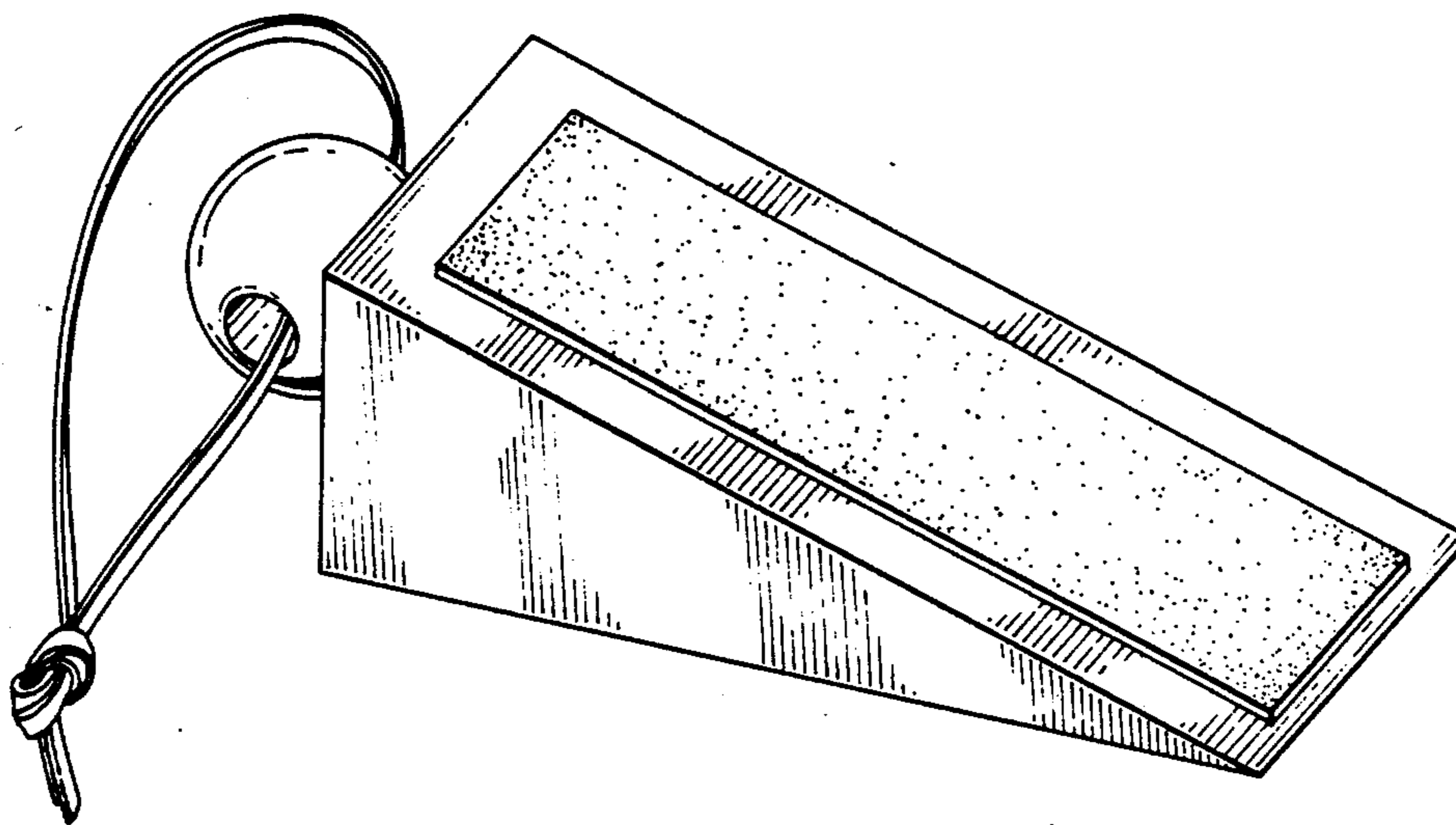
Primary Examiner—B. J. Bullock
Attorney, Agent, or Firm—Wolf, Greenfield & Sacks

[57] **CLAIM**

The ornamental design for a doorstop, as shown and described.

DESCRIPTION

FIG. 1 is a perspective view of a doorstop showing our new design;
FIG. 2 is a left side view thereof, the right side being a mirror image;
FIG. 3 is a top view thereof;
FIG. 4 is a bottom view thereof;
FIG. 5 is a right end view thereof;
FIG. 6 is a left end view thereof.



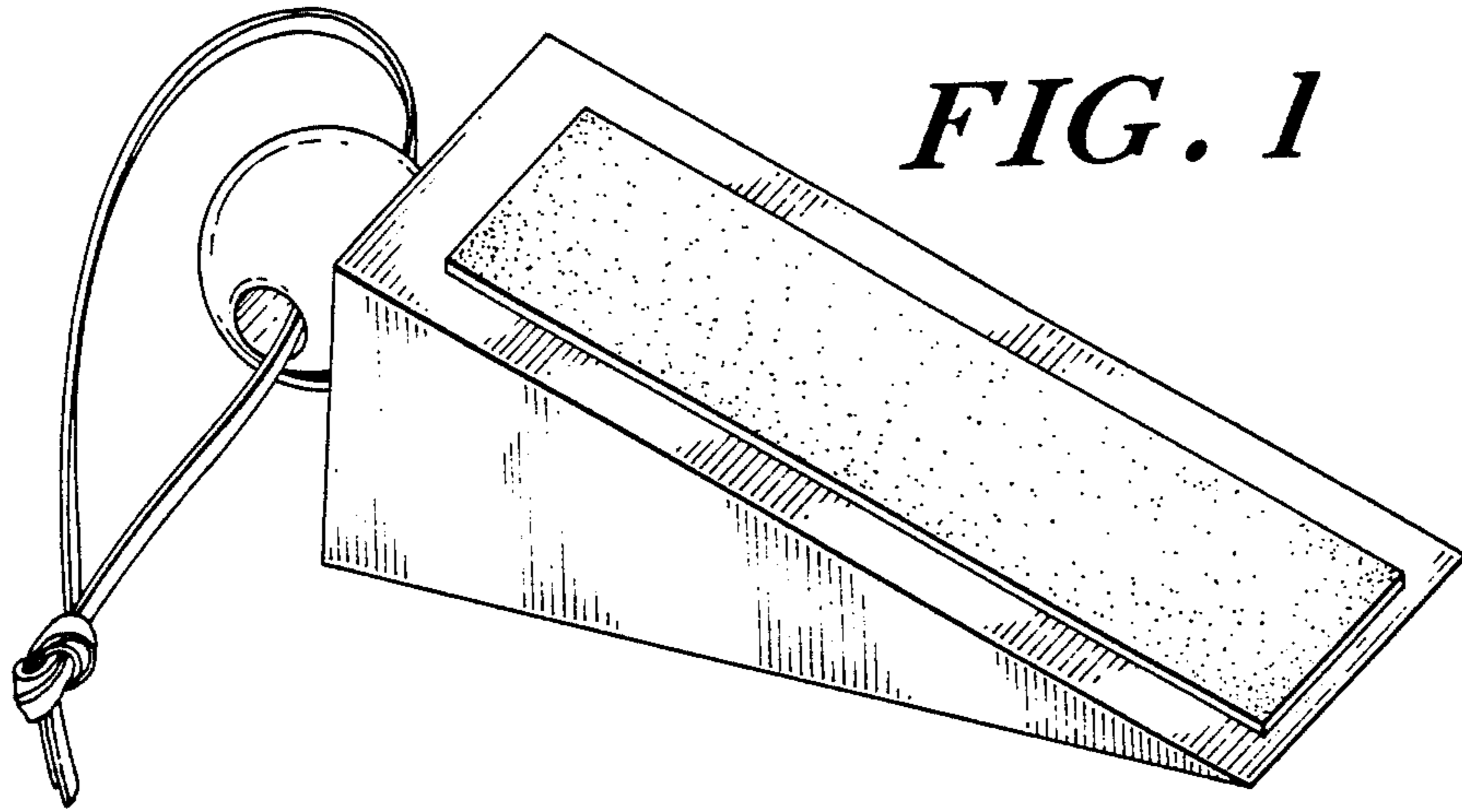


FIG. 1

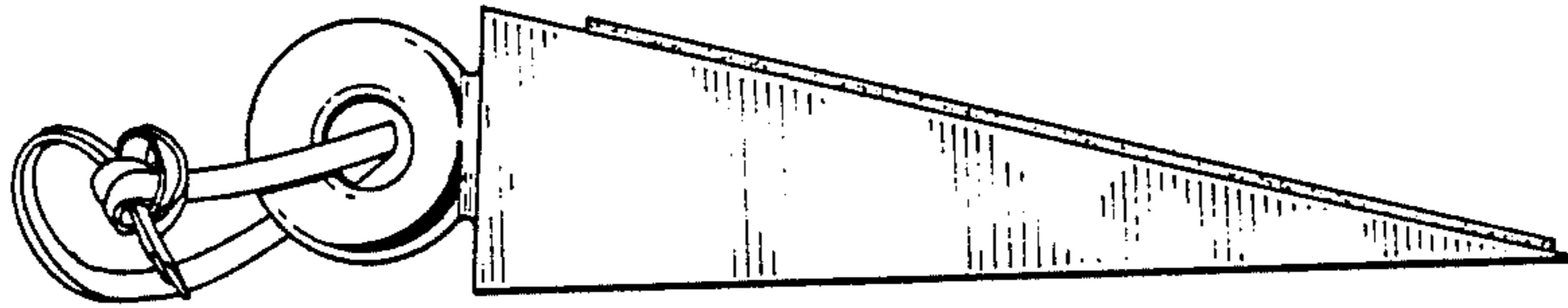


FIG. 2

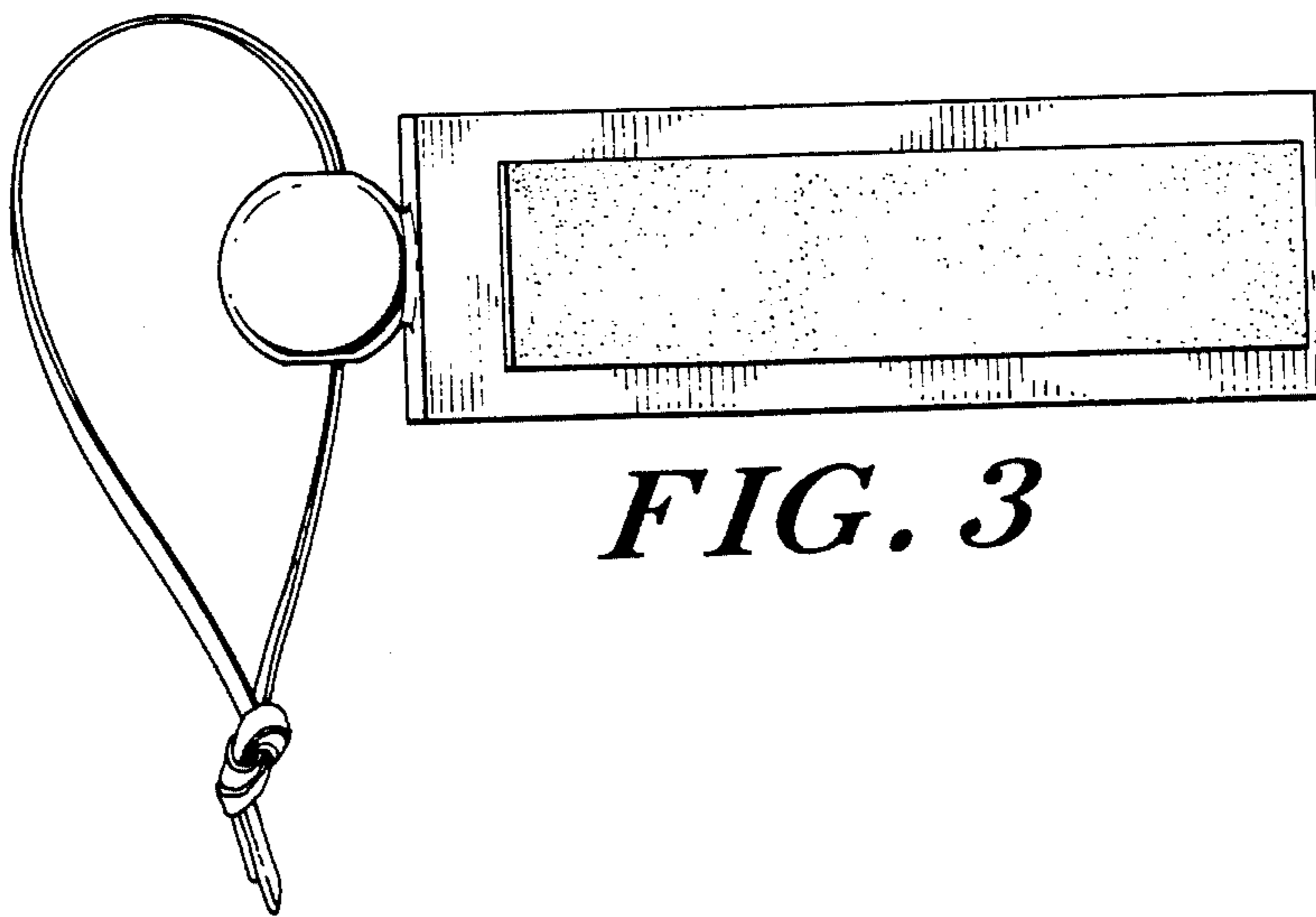


FIG. 3

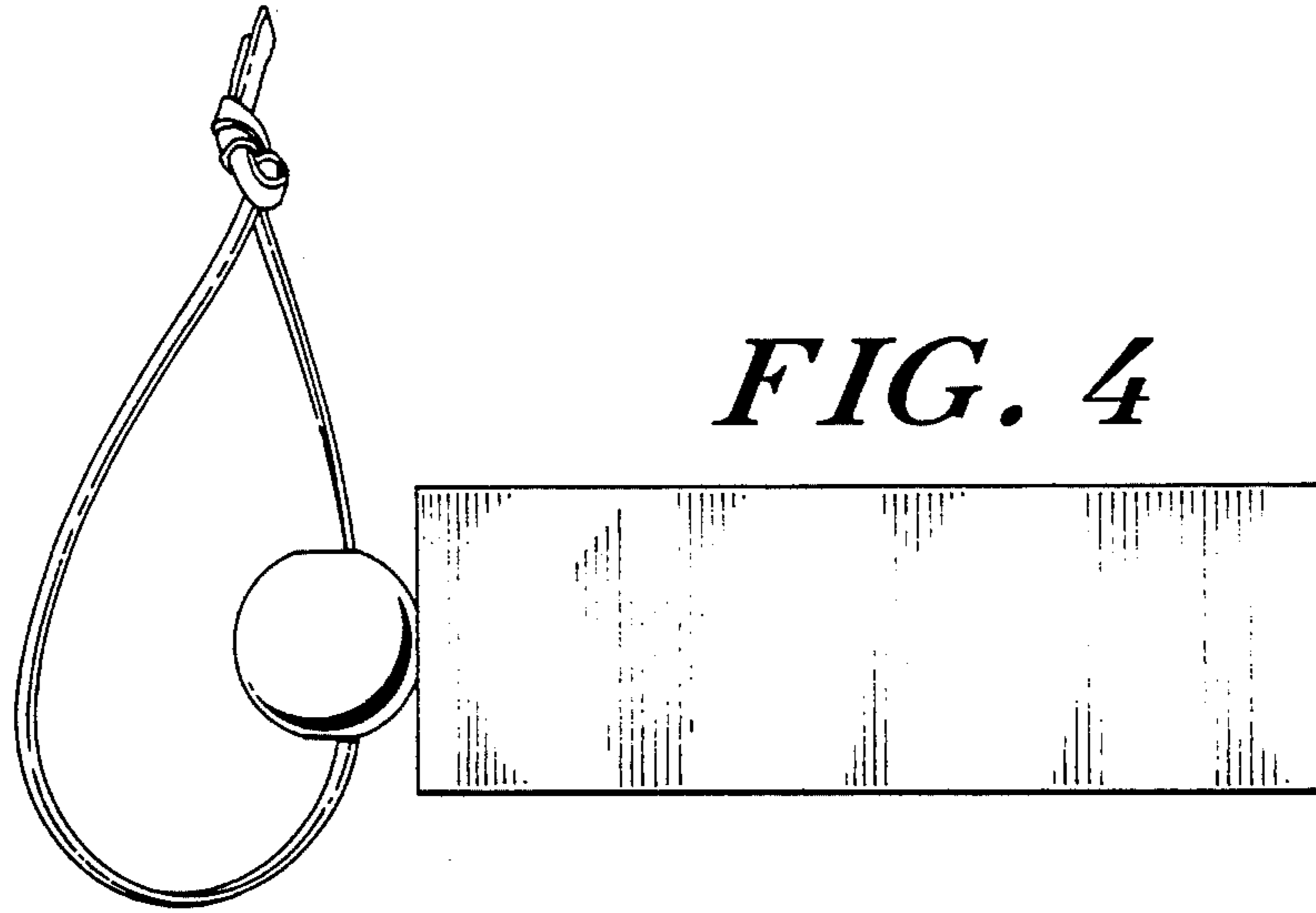


FIG. 4



FIG. 5

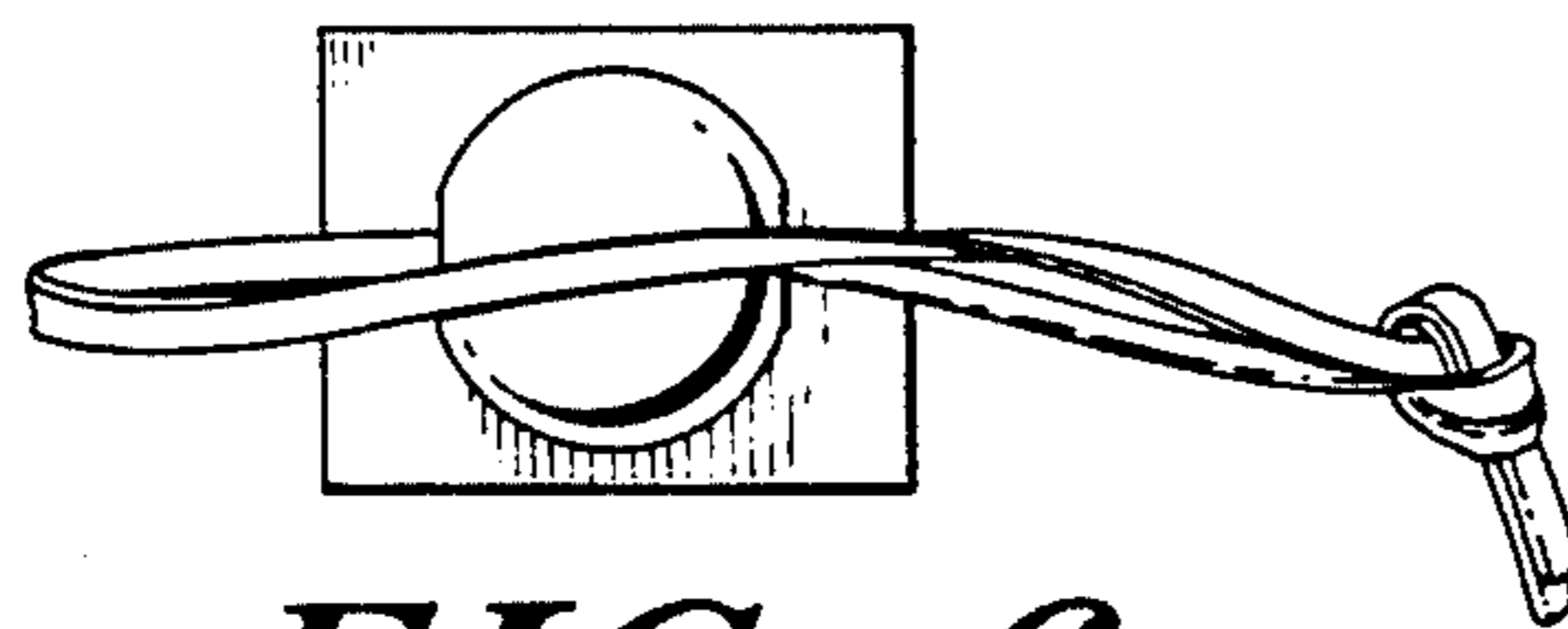


FIG. 6