

[54] **HANGER BRACKET FOR ATTACHING A
FIXTURE TO CEILING HANGER
ASSEMBLY**

[75] **Inventor: Clarence E. Propp, College Station,
Tex.**

[73] **Assignee: J. Russell Kerr, Jr., Bryan, Tex.**

[**] **Term: 14 Years**

[21] **Appl. No.: 83,422**

[22] **Filed: Aug. 7, 1987**

[52] **U.S. Cl. D8/373; D8/354**

[58] **Field of Search D8/349, 354, 356, 373,
D8/380; 248/906, 300**

[56] **References Cited**

U.S. PATENT DOCUMENTS

D. 257,663 12/1980 McKee D8/354
D. 257,664 12/1980 McKee D8/354
4,723,746 2/1988 Gould et al. 248/906

Primary Examiner—James M. Gandy
Assistant Examiner—Melody Brown
Attorney, Agent, or Firm—Sroufe, Zamecki, Payne &
Lundeen

[57] **CLAIM**

The ornamental design for a hanger bracket for attaching a fixture to a ceiling hanger assembly, as shown and described.

DESCRIPTION

FIG. 1 is a top perspective view of a hanger bracket for attaching a fixture to ceiling hanger assembly embodying my new design;

FIG. 2 is a bottom perspective view thereof;

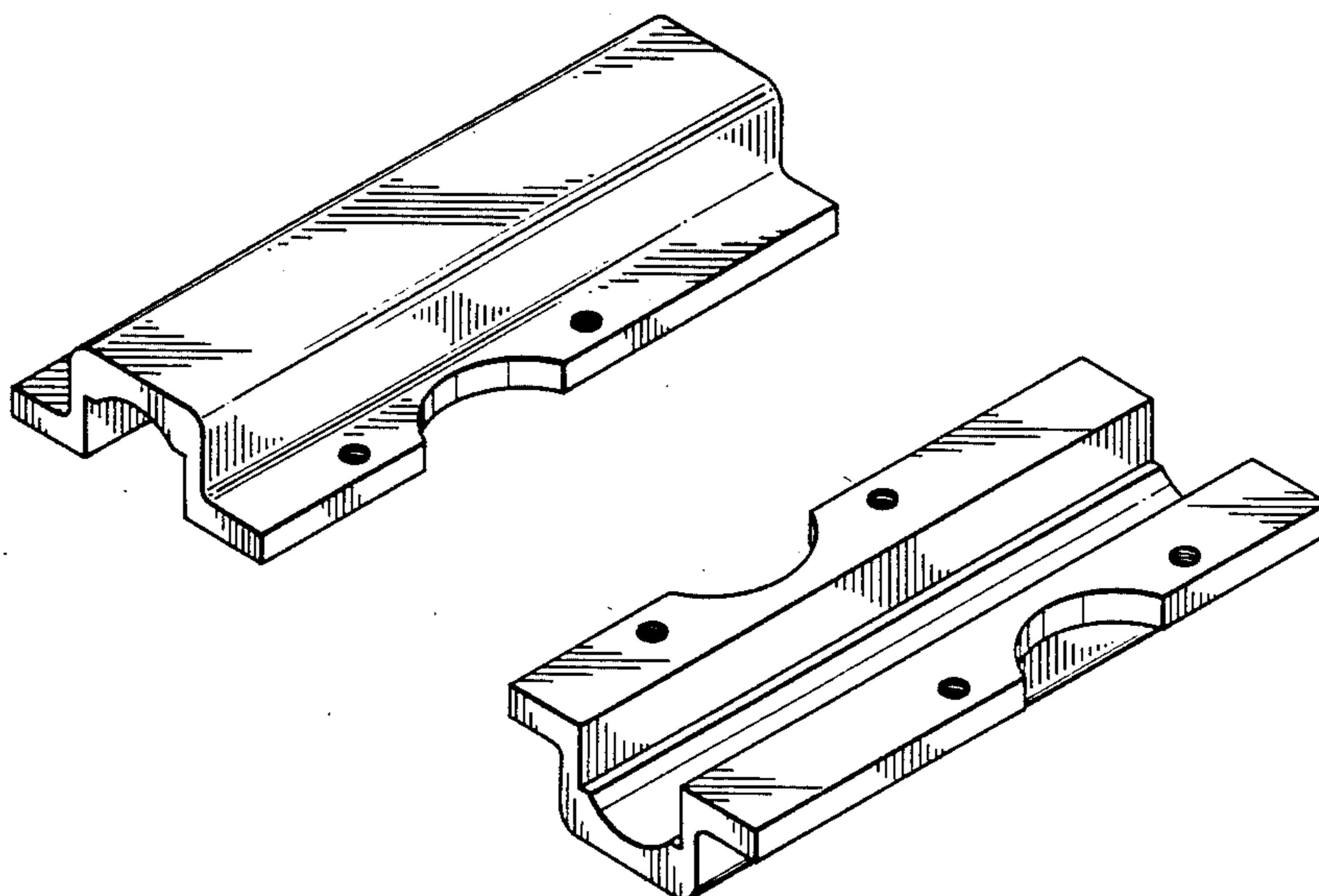
FIG. 3 is a top plan view thereof;

FIG. 4 is a bottom plan view thereof;

FIG. 5 is a side elevational view of FIG. 1;

FIG. 6 is an end elevational view of FIG. 1; and

FIG. 7 is a top plan view thereof, it being understood that the broken lines are for illustrative purposes only and form no part of the claimed design.



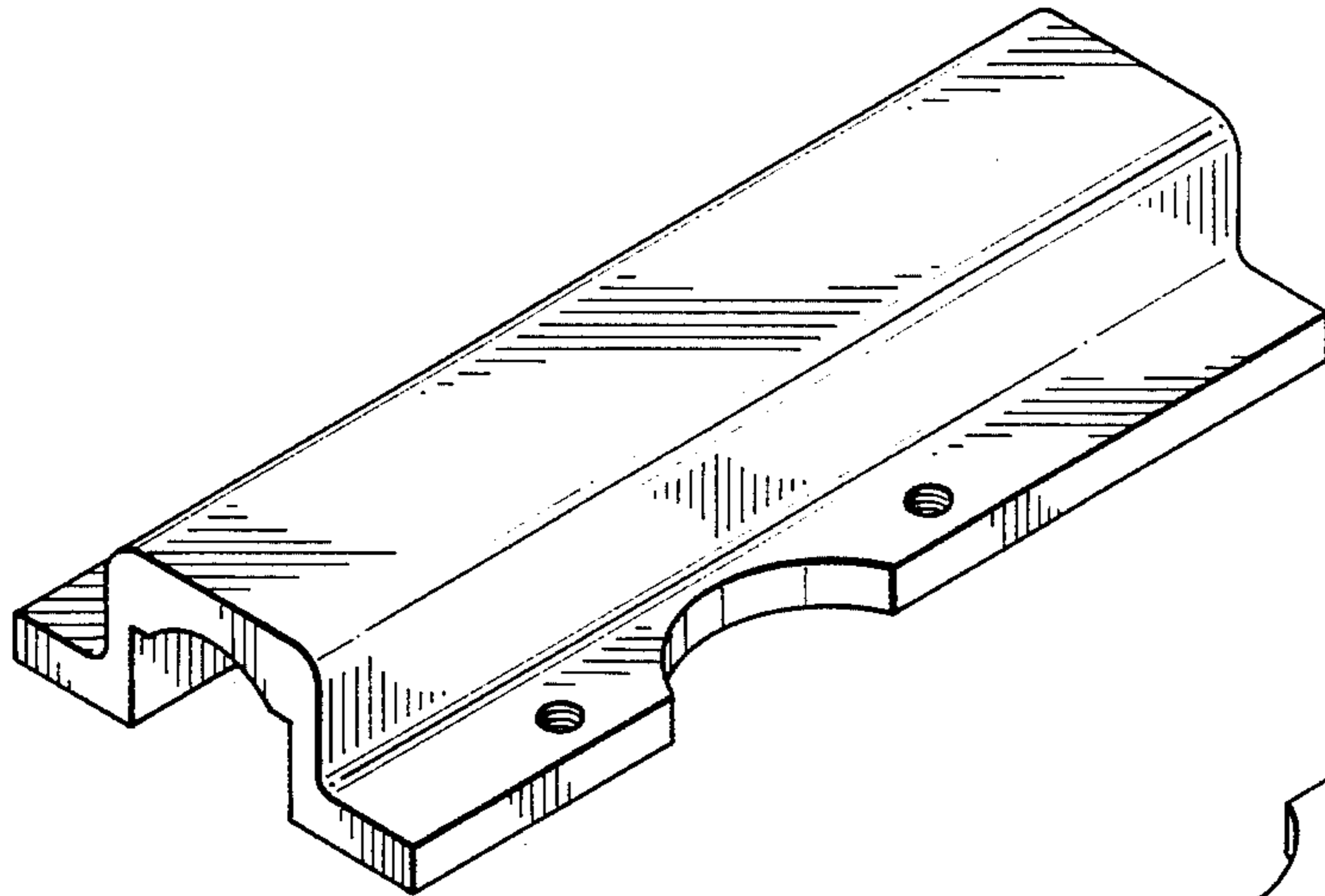


FIG. 1

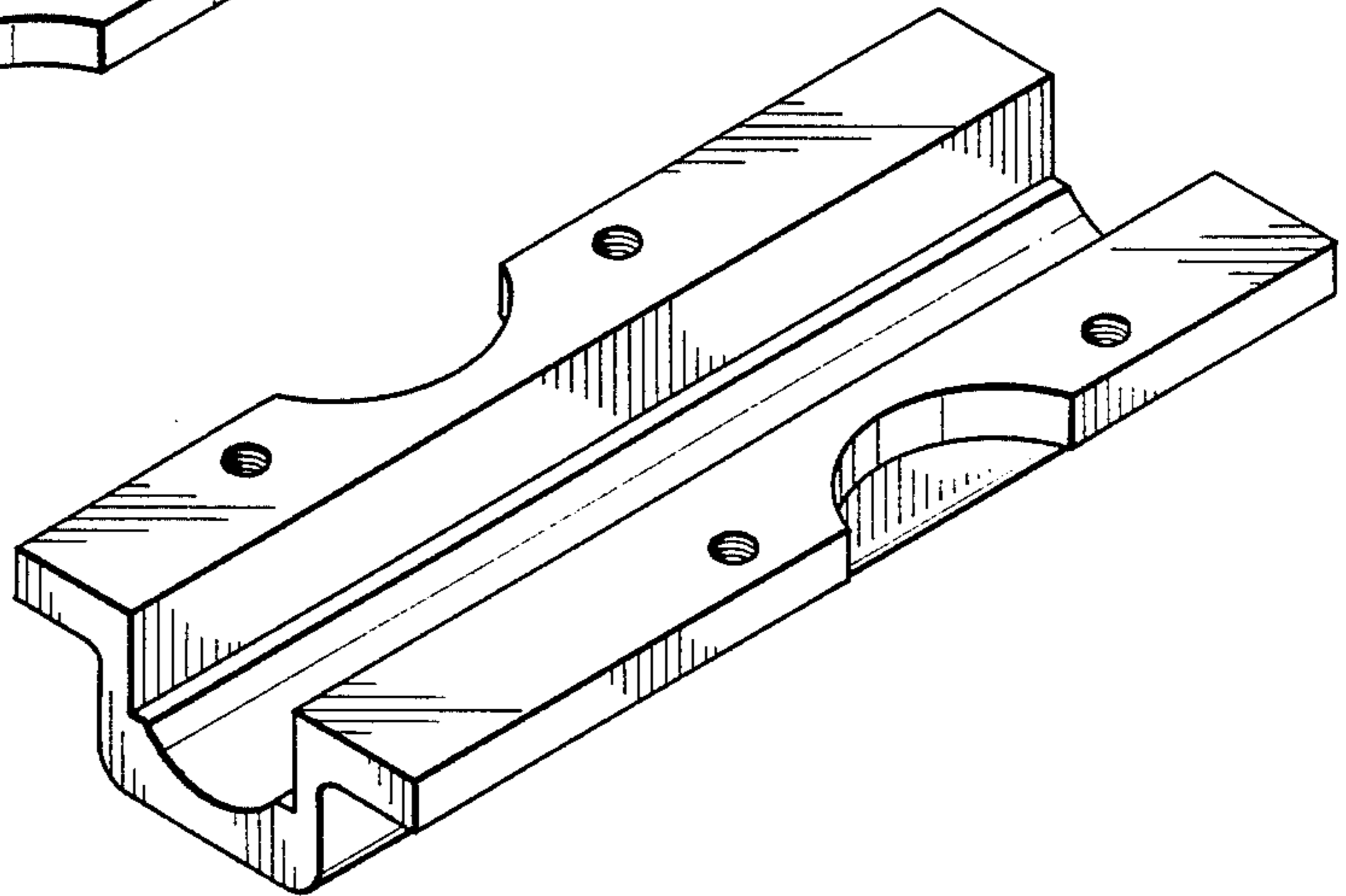


FIG. 2

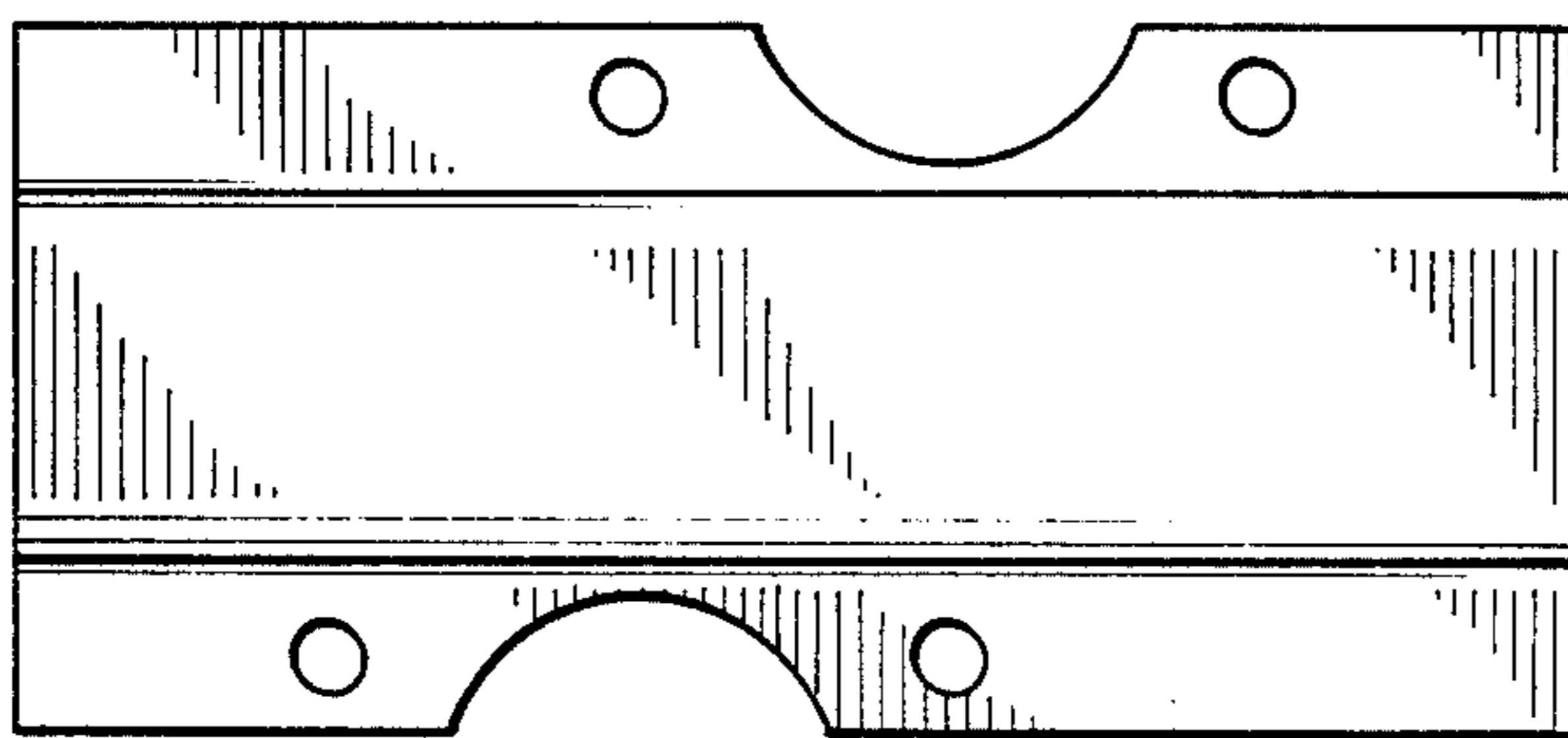


FIG. 3

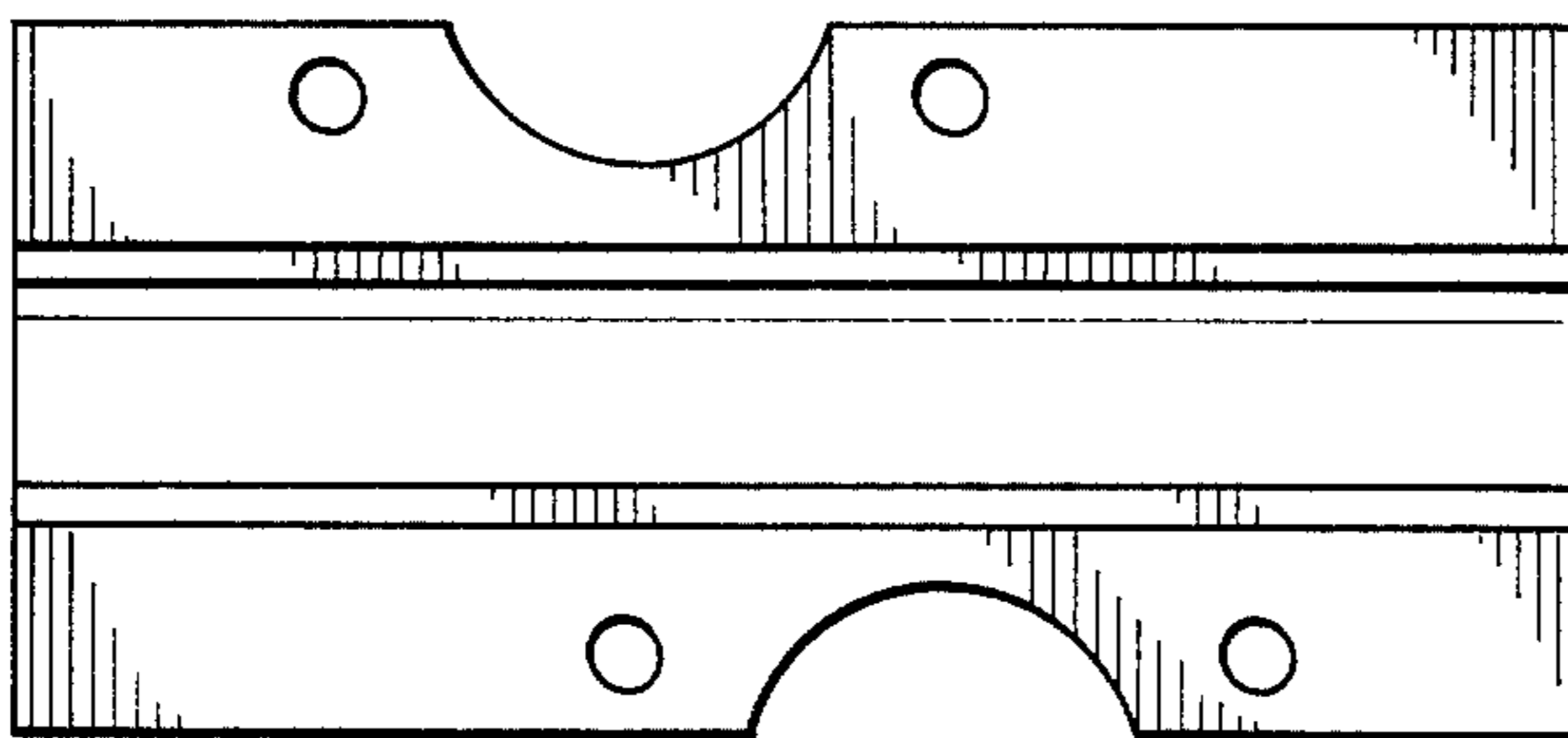


FIG. 4

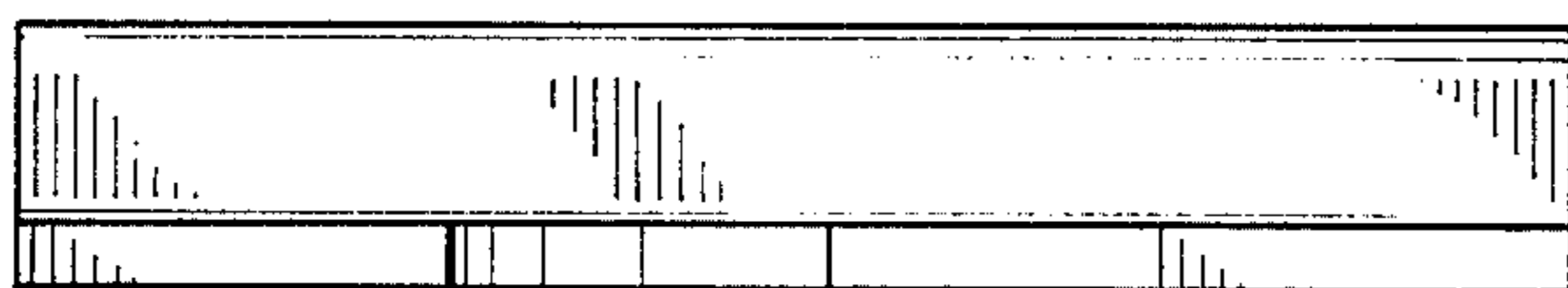


FIG. 5

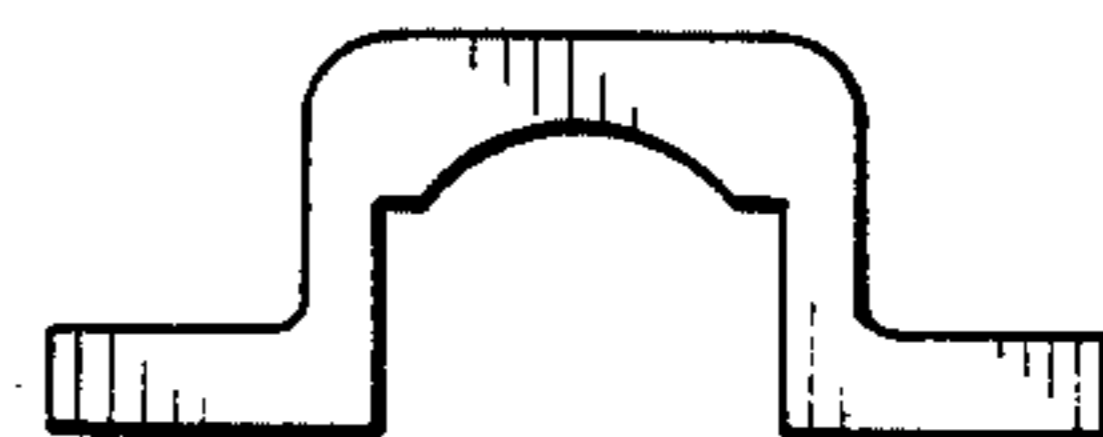


FIG. 6

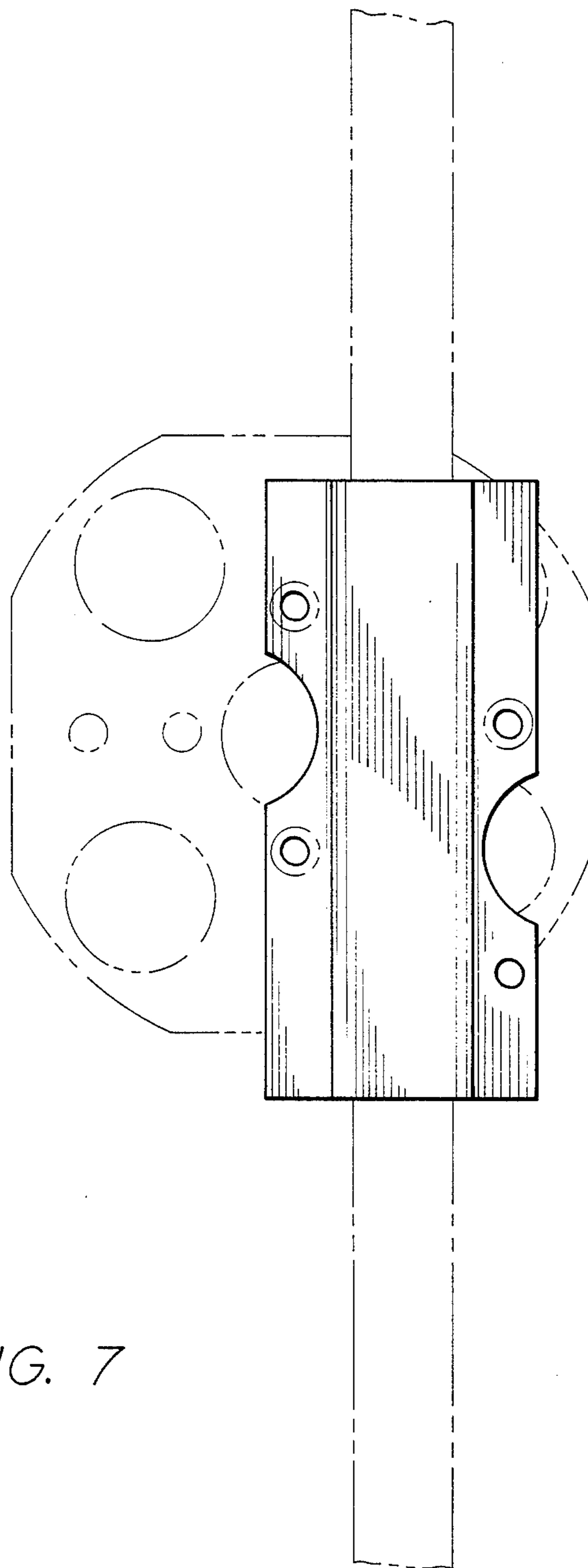


FIG. 7