

[54] DROP LIGHT HOLDER

4,004,844 2/1977 Richmond 248/313

[76] Inventor: Kenneth H. Rodden, 1845 E. Fox La., Newcastle, Okla. 73065

Primary Examiner—Horace B. Fay, Jr.
Attorney, Agent, or Firm—Bill D. McCarthy

[**] Term: 14 Years

[57] CLAIM

[21] Appl. No.: 88,853

The ornamental design for a drop light holder, as shown and described.

[22] Filed: Aug. 24, 1987

[52] U.S. Cl. D8/373

[58] Field of Search D8/373, 395, 396, 72;
D6/544, 554, 535, 545; 211/207, 74, 75, 89;
248/51, 339, 316.7, 316.4, 311.2, 300; D24/48

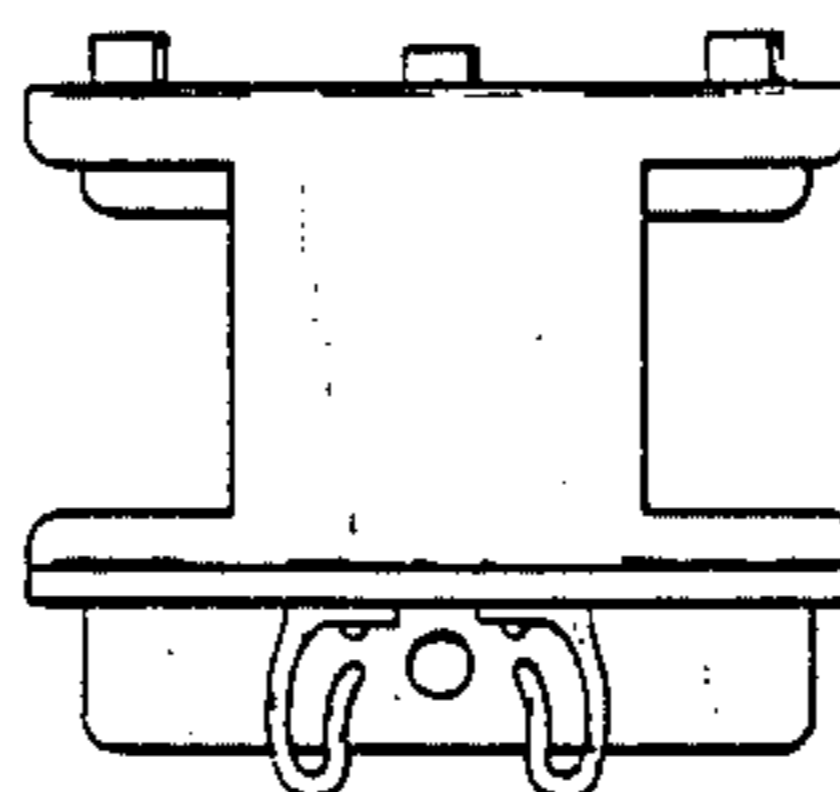
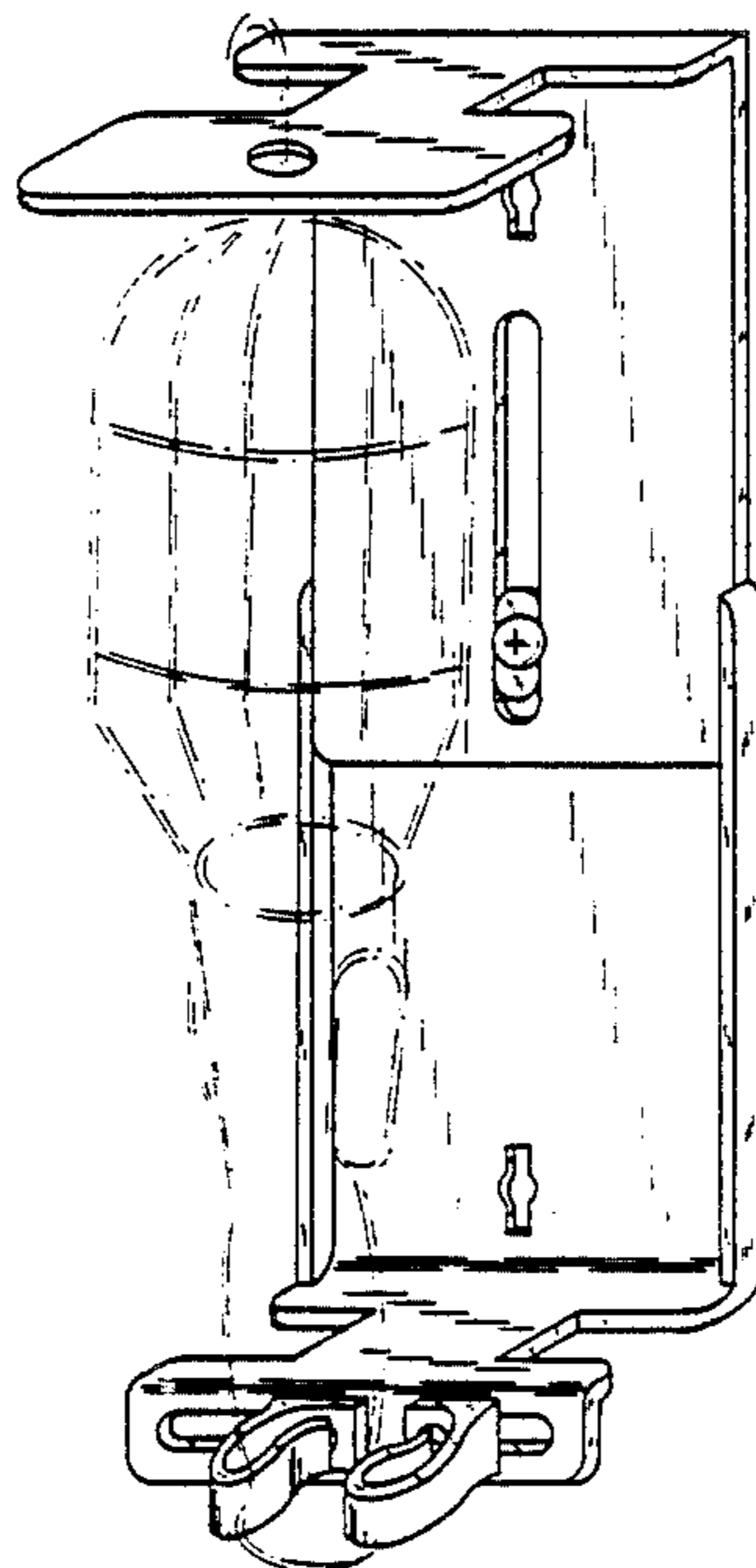
DESCRIPTION

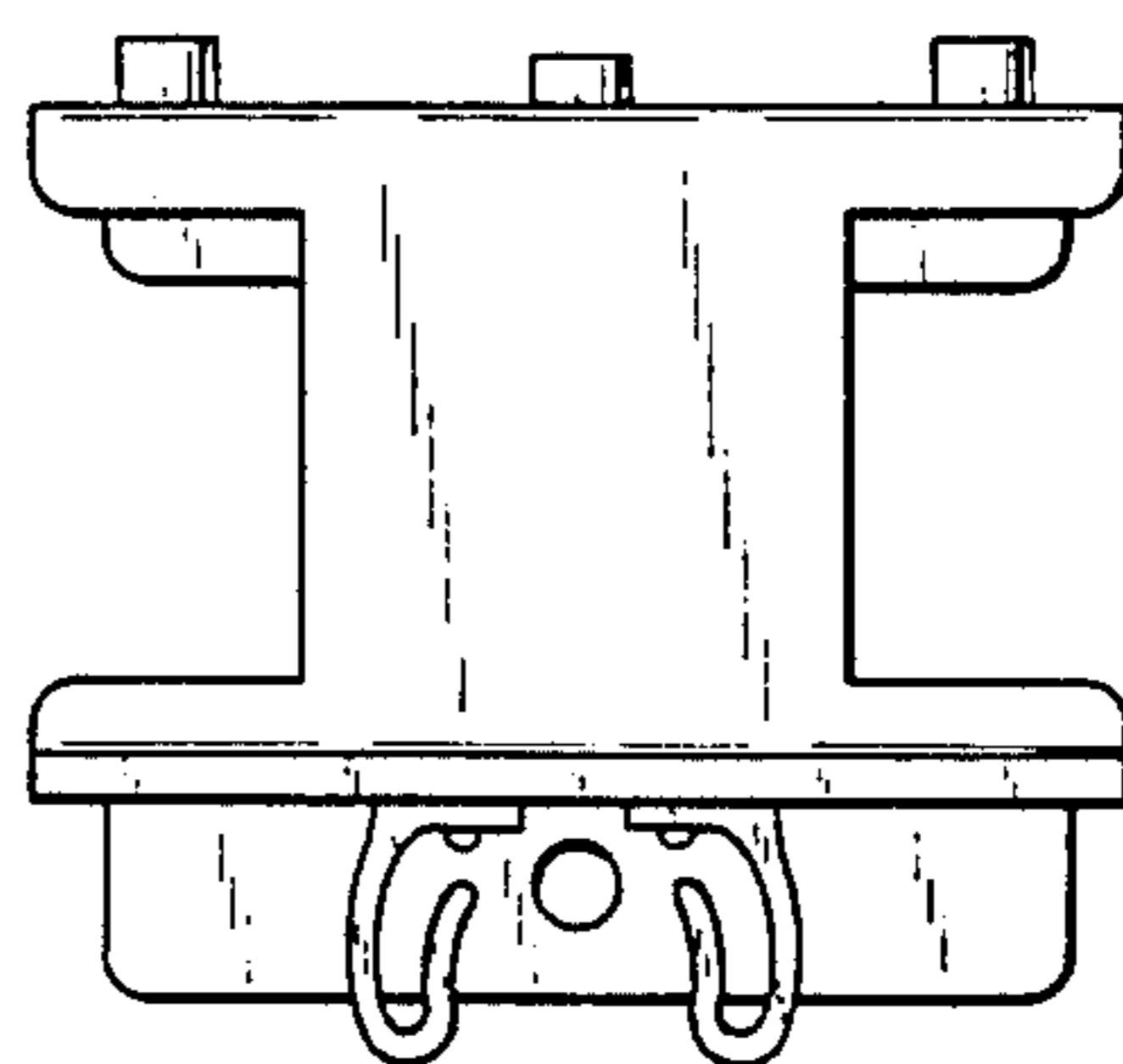
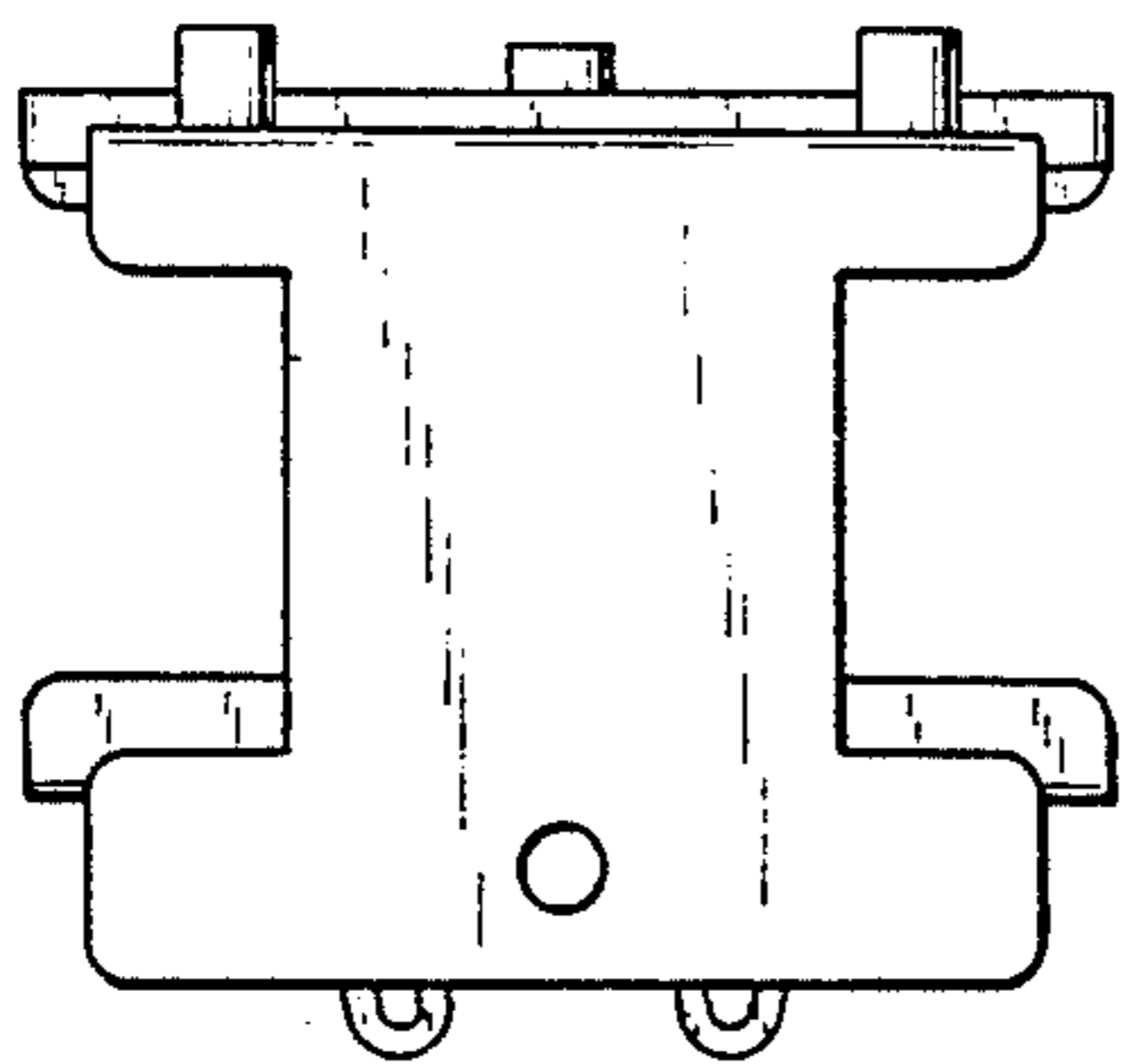
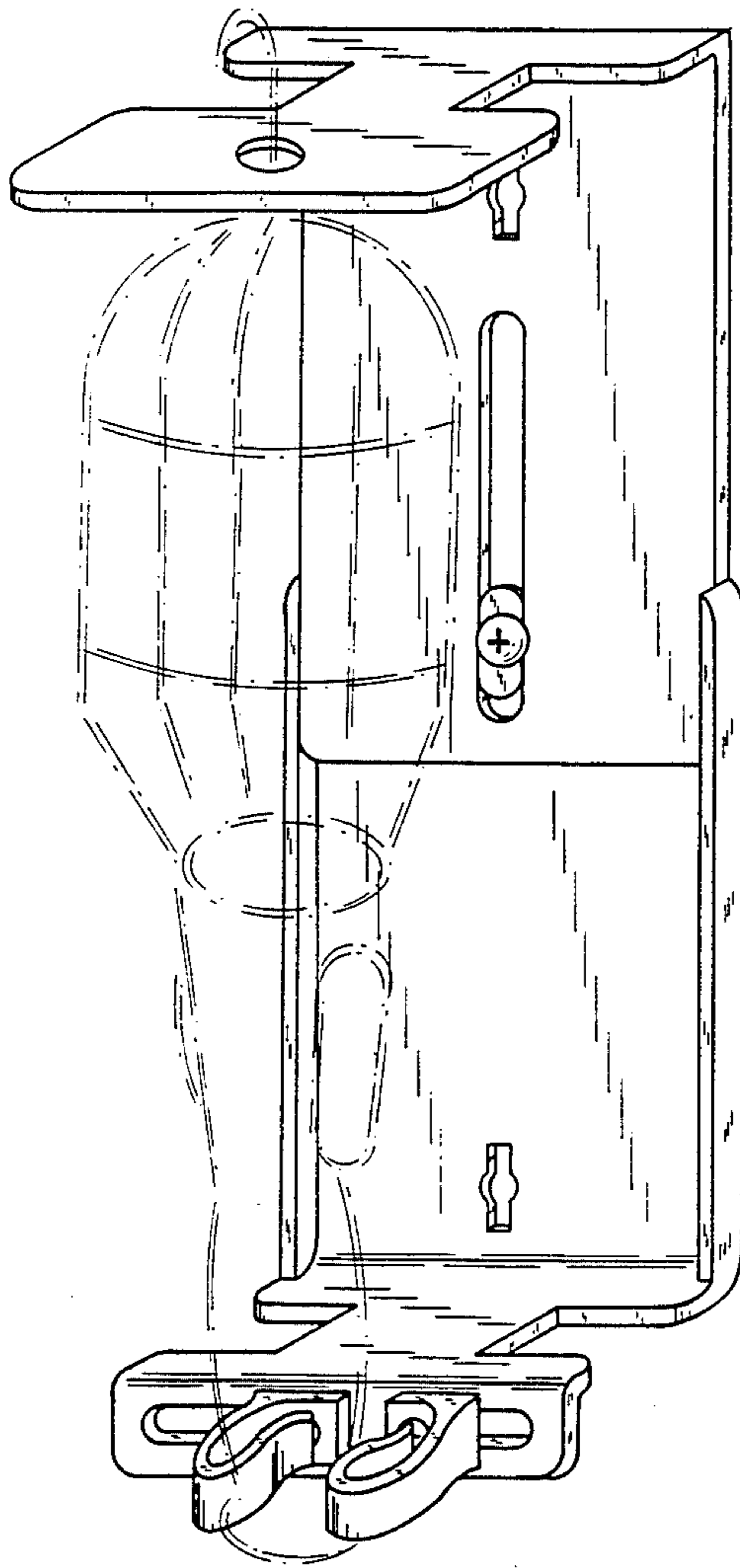
FIG. 1 is a front, top and right side perspective view of a drop light holder showing my new design; FIGS. 2 and 3 are respectively top and bottom plan views thereof; FIGS. 4 and 5 are respectively front and rear elevational views thereof; FIGS. 6 and 7 are respectively right and left side elevational views thereof. The broken line showing of a drop light in FIG. 1 is for illustrative purposes only and forms no part of the claimed design.

[56] References Cited

U.S. PATENT DOCUMENTS

| | | | |
|------------|--------|------------------|---------|
| D. 294,457 | 3/1988 | Doty et al. | D8/396 |
| 1,442,712 | 1/1923 | Doerner | 248/300 |
| 2,788,438 | 4/1957 | Lieunen | 248/339 |
| 2,830,781 | 4/1958 | Coulter | D24/48 |





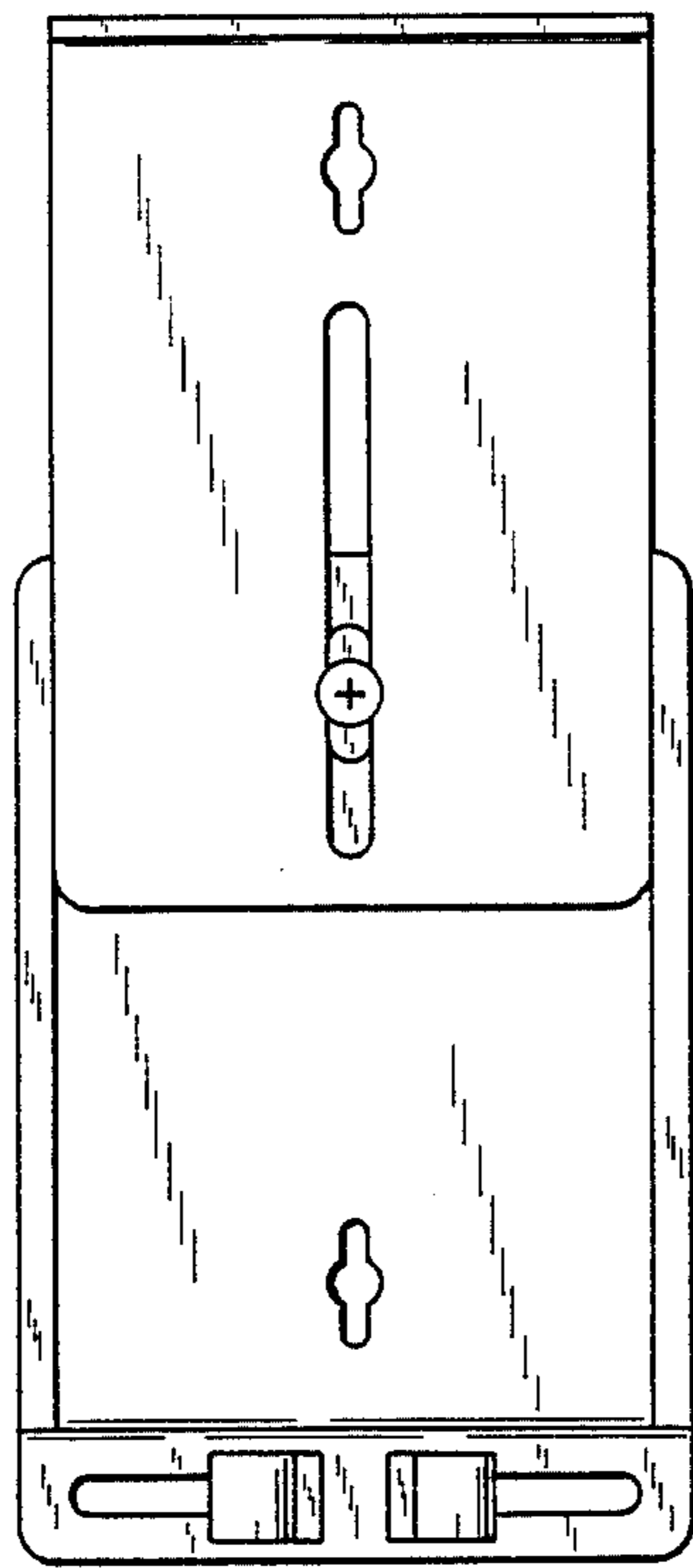


FIG. 4

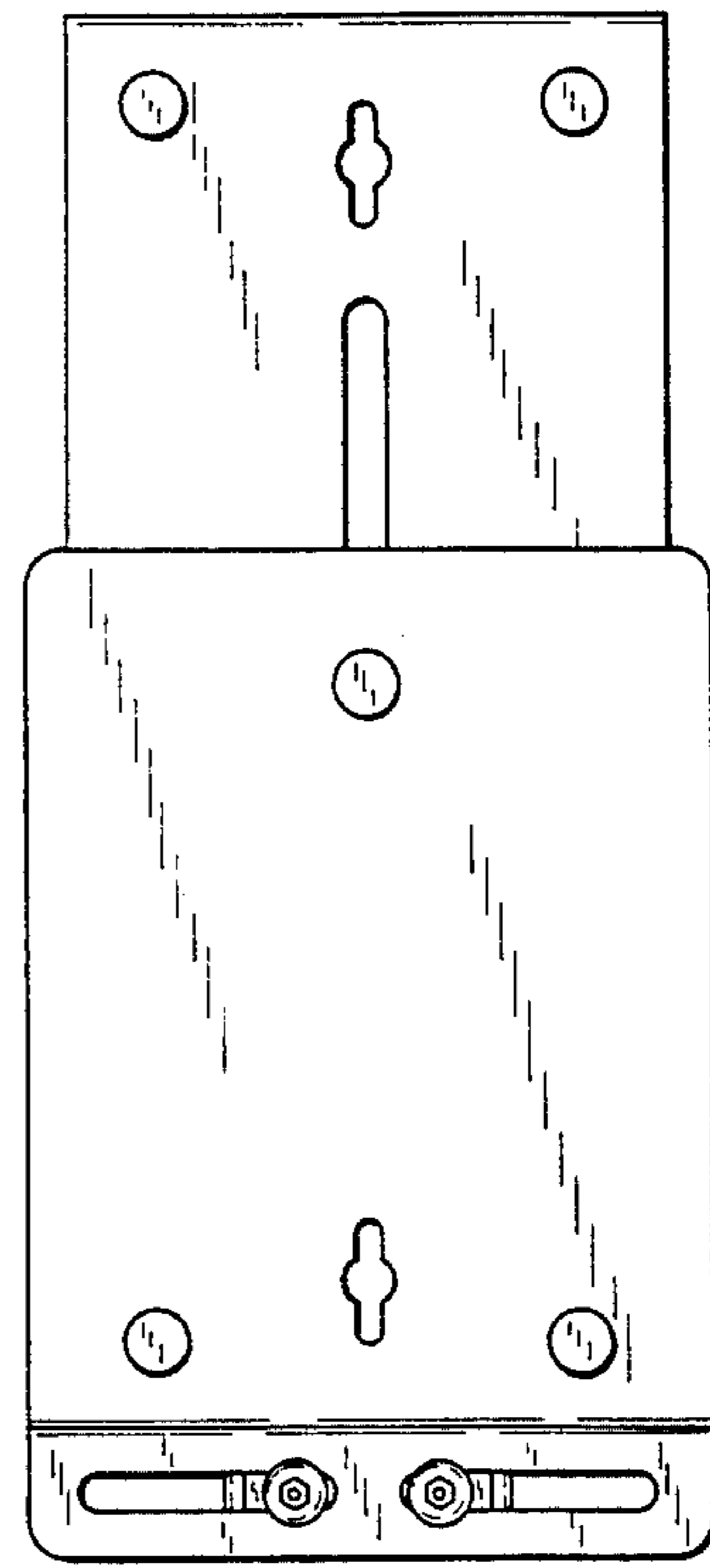


FIG. 5

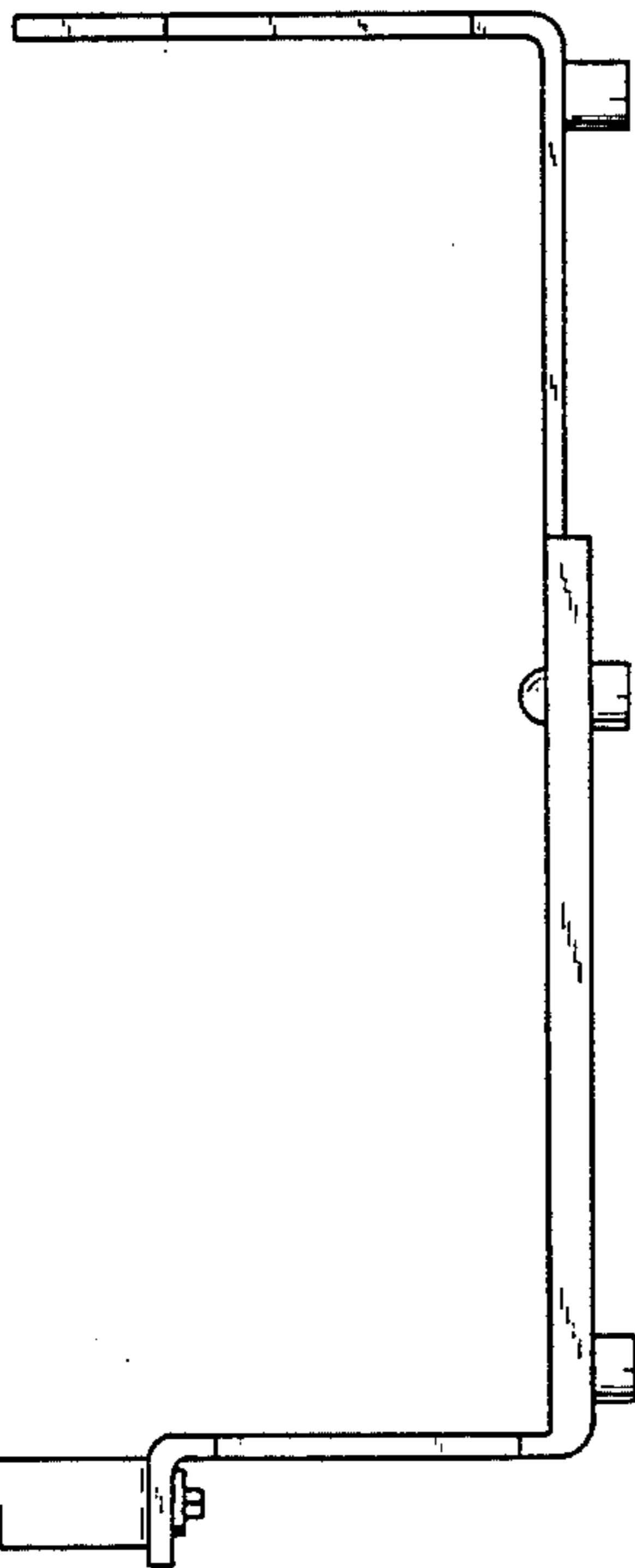


FIG. 6

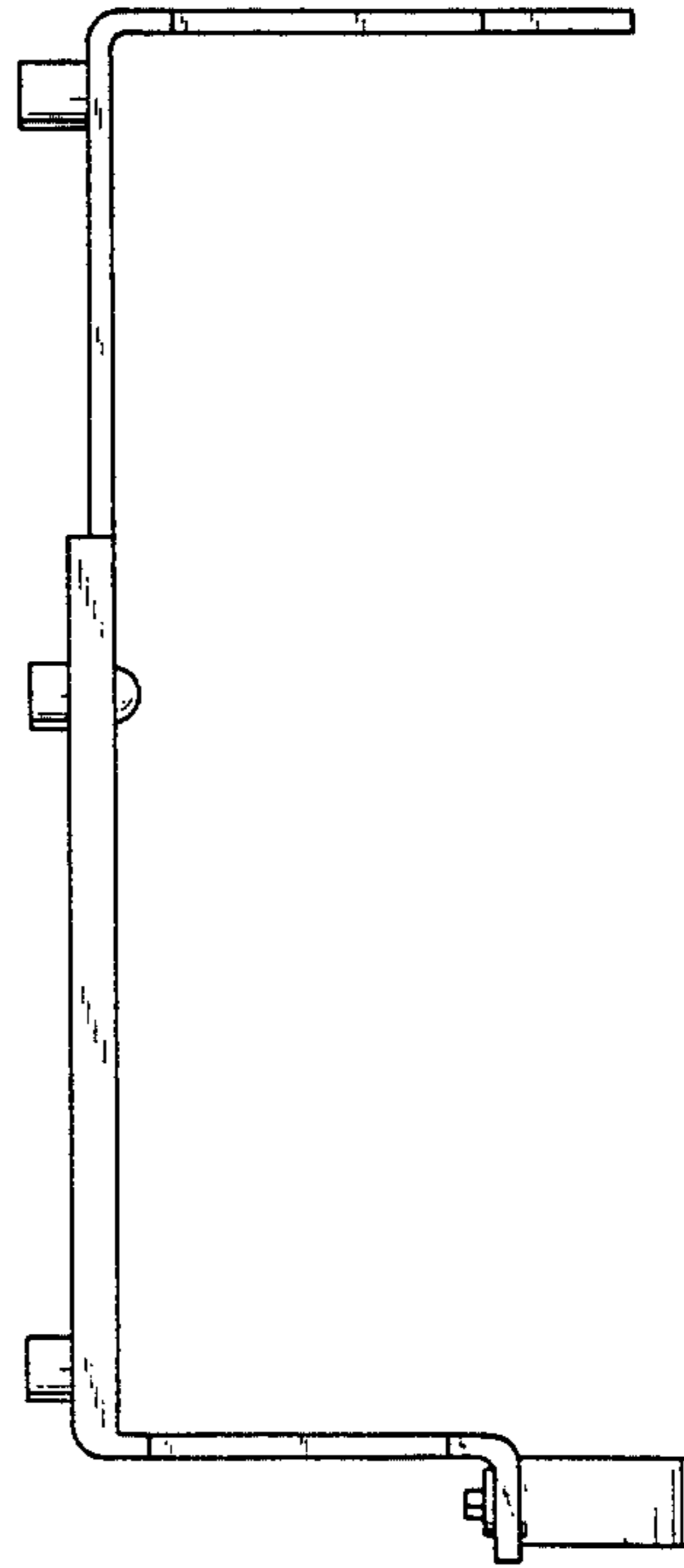


FIG. 7