

[54] HINGE WITH COVER THEREFOR

[75] Inventor: Alfred Grass, Hochst, Austria

[73] Assignee: Alfred Grass G.m.b.H., Hochst, Austria

[**] Term: 14 Years

[21] Appl. No.: 165,132

[22] Filed: Mar. 7, 1988

[30] Foreign Application Priority Data

Oct. 7, 1987 [DE] Fed. Rep. of Germany 28 467

[52] U.S. Cl. D8/323

[58] Field of Search D8/323, 327, 329; 16/235, 236, 237, 238, 250, 251; 248/668

[56] References Cited

U.S. PATENT DOCUMENTS

D. 268,893	5/1983	Salice	D8/323
D. 299,616	1/1989	Ferrari	D8/323
4,720,896	1/1988	Lautenschläger et al.	16/236
4,760,623	8/1988	Toyama	16/238
4,776,061	10/1988	Franco	16/236
4,799,289	1/1989	Grass	16/236

Primary Examiner—B. J. Bullock

[57] CLAIM

The ornamental design for a hinge with cover therefor, as shown and described.

DESCRIPTION

FIG. 1 is a perspective view of a hinge with cover therefor showing my new design;
 FIG. 2 is an enlarged side elevational view taken from the bottom of FIG. 1, the side opposite being a mirror image;
 FIG. 3 is an enlarged top plan view thereof, the bottom being unornamented;
 FIG. 4 is an enlarged front elevational view thereof;
 FIG. 5 is an enlarged rear elevational view thereof;
 FIG. 6 is an exploded perspective view thereof;
 FIG. 7 is a side elevational view of the cover, shown separately for ease of illustration, the side opposite being a mirror image;
 FIG. 8 is a top plan view of FIG. 7;
 FIG. 9 is a rear elevational view of FIG. 7;
 FIG. 10 is a front elevational view of FIG. 7;
 FIG. 11 is a bottom plan view of FIG. 7.

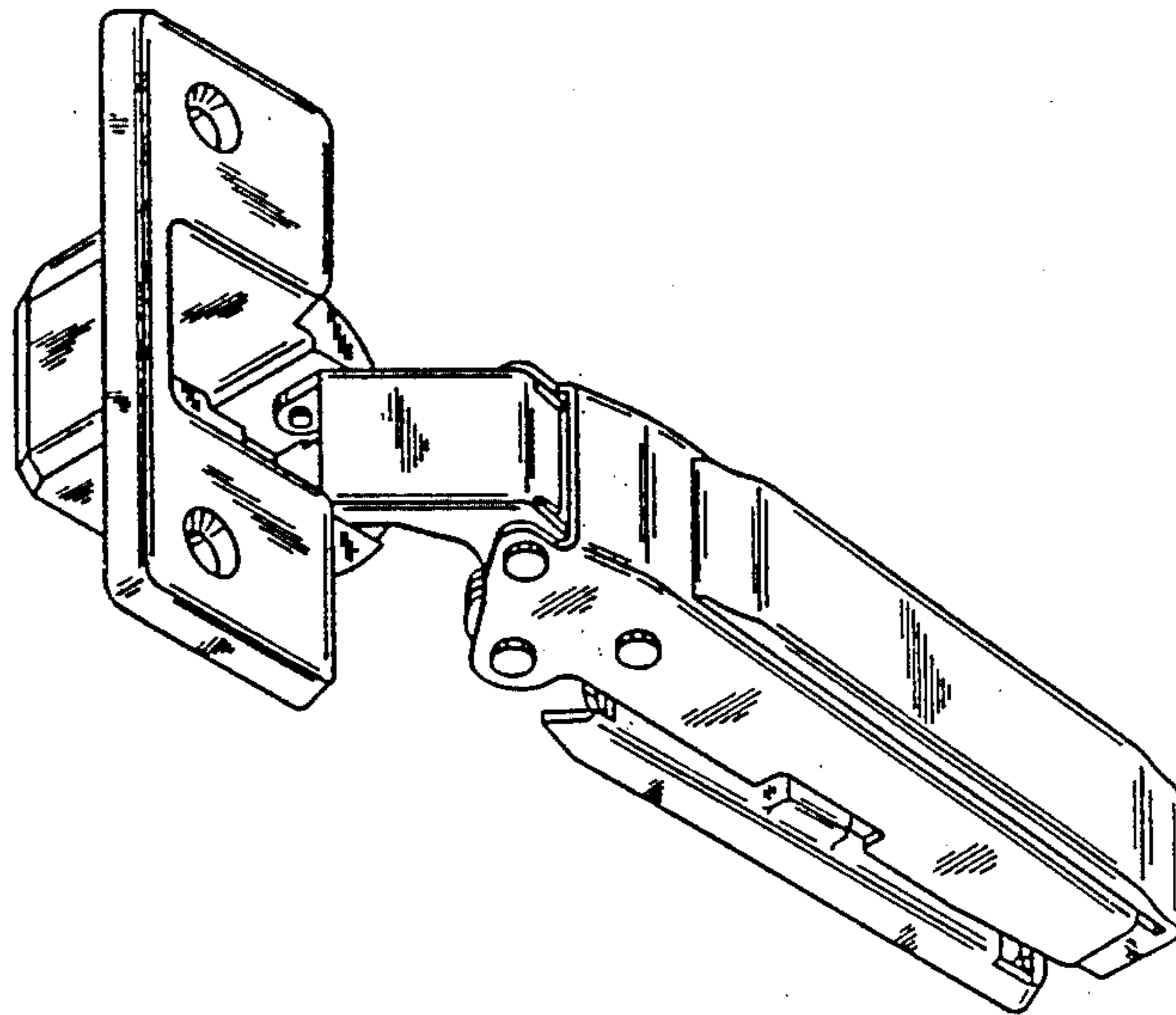
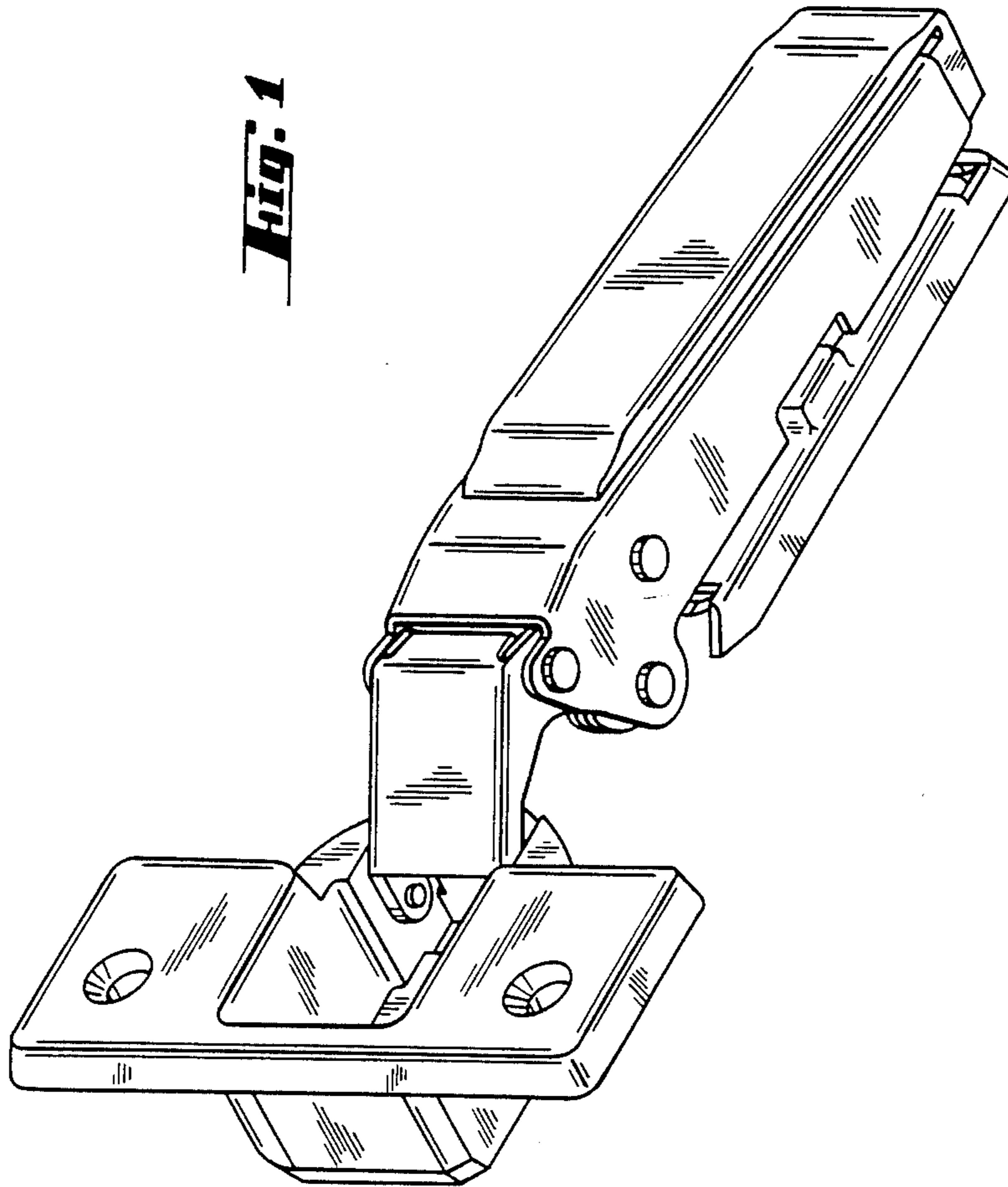


Fig. 1



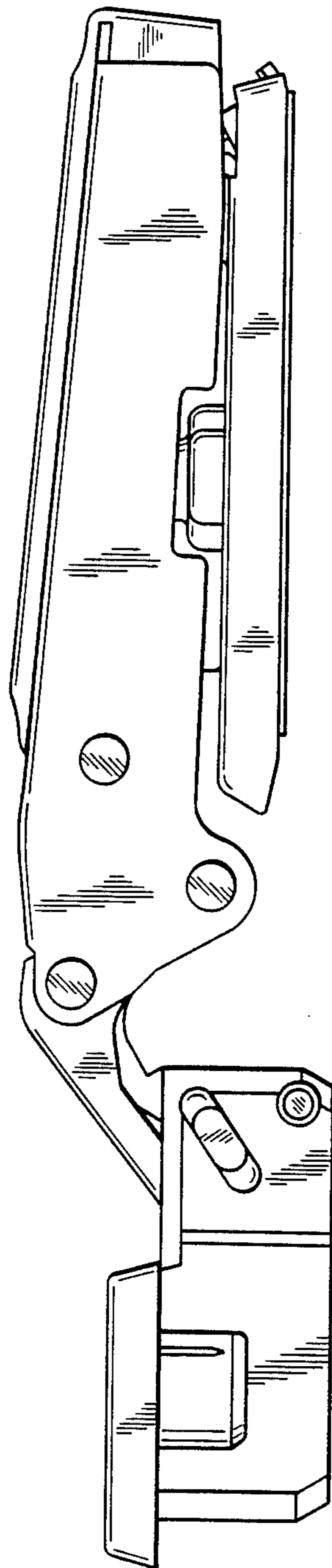


FIG. 2

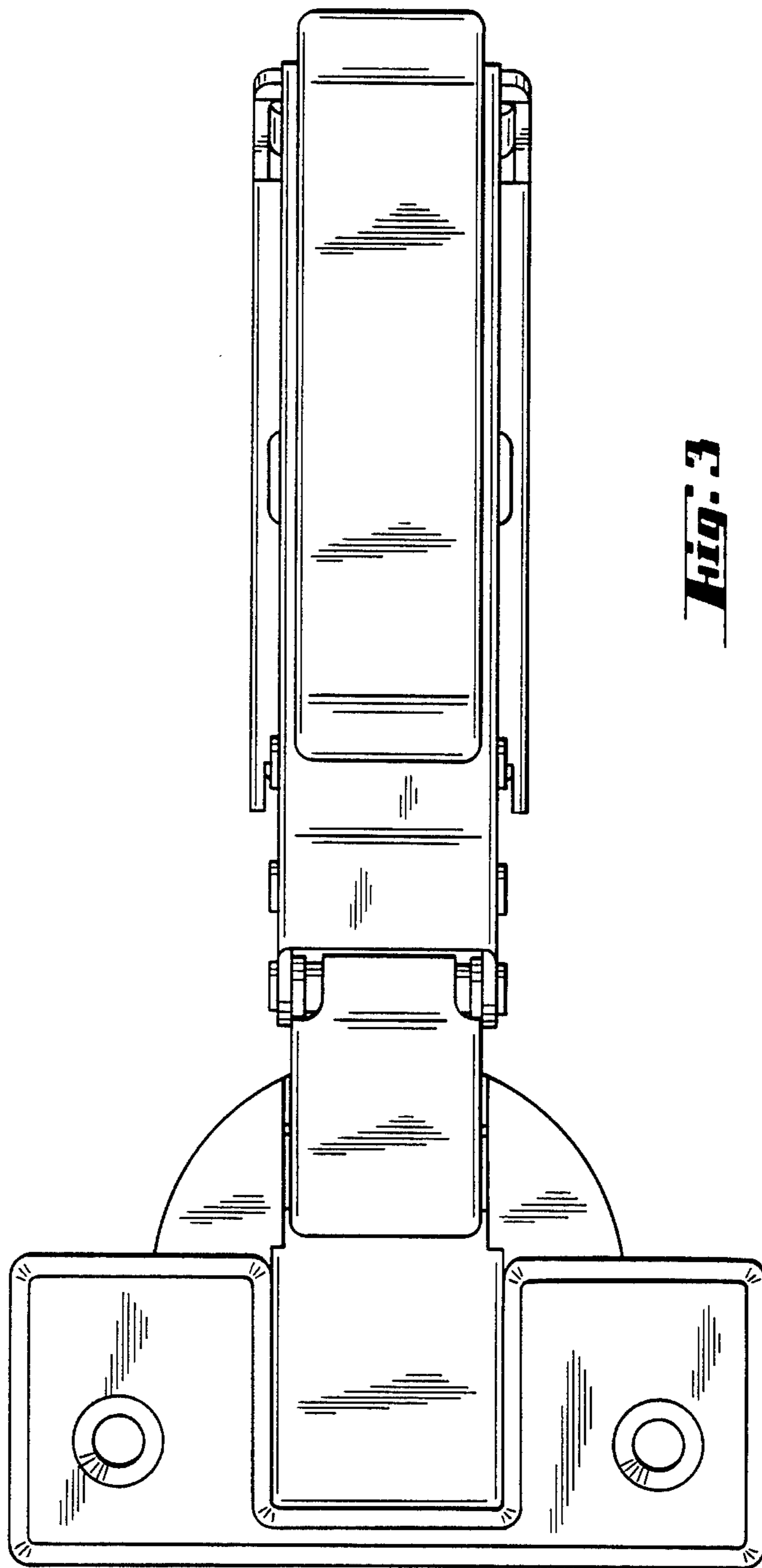


Fig. 3

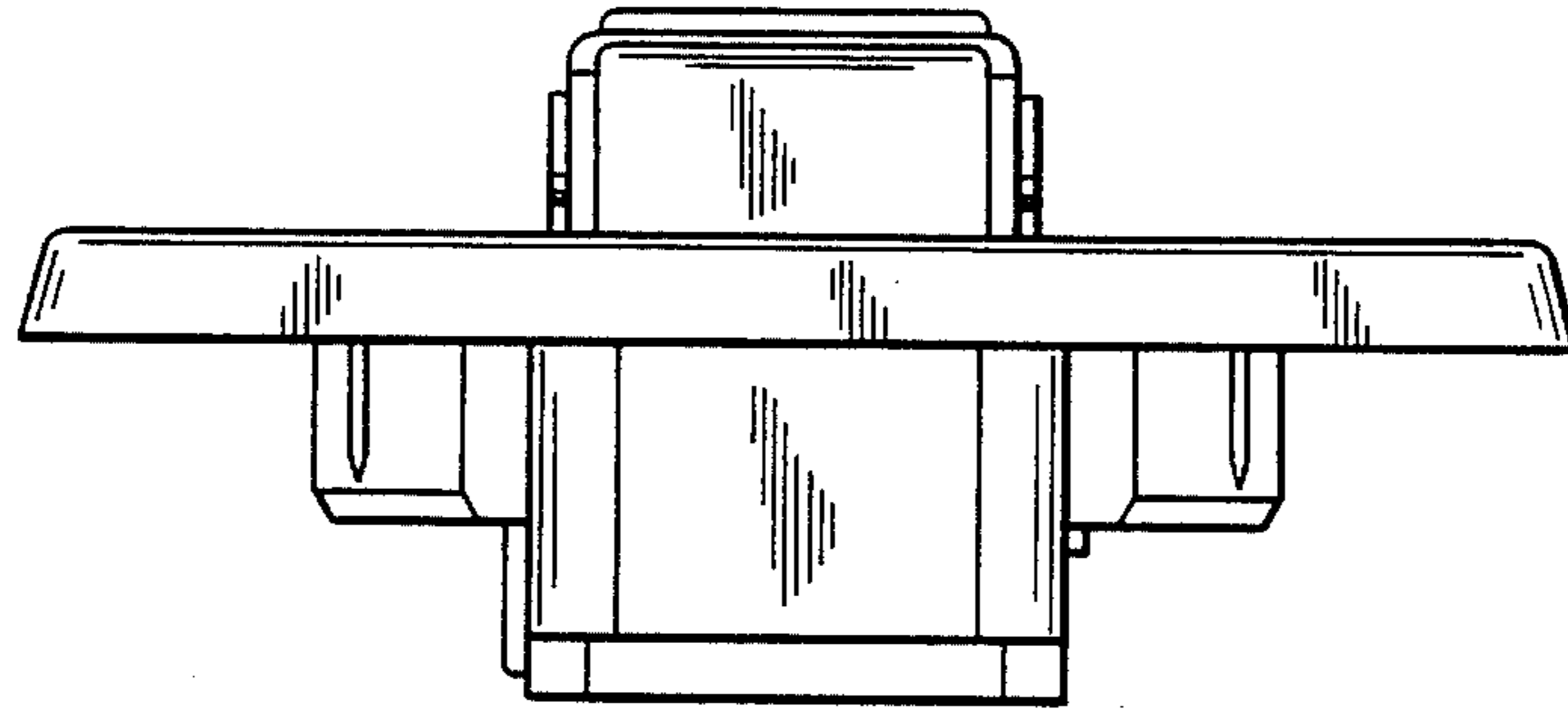
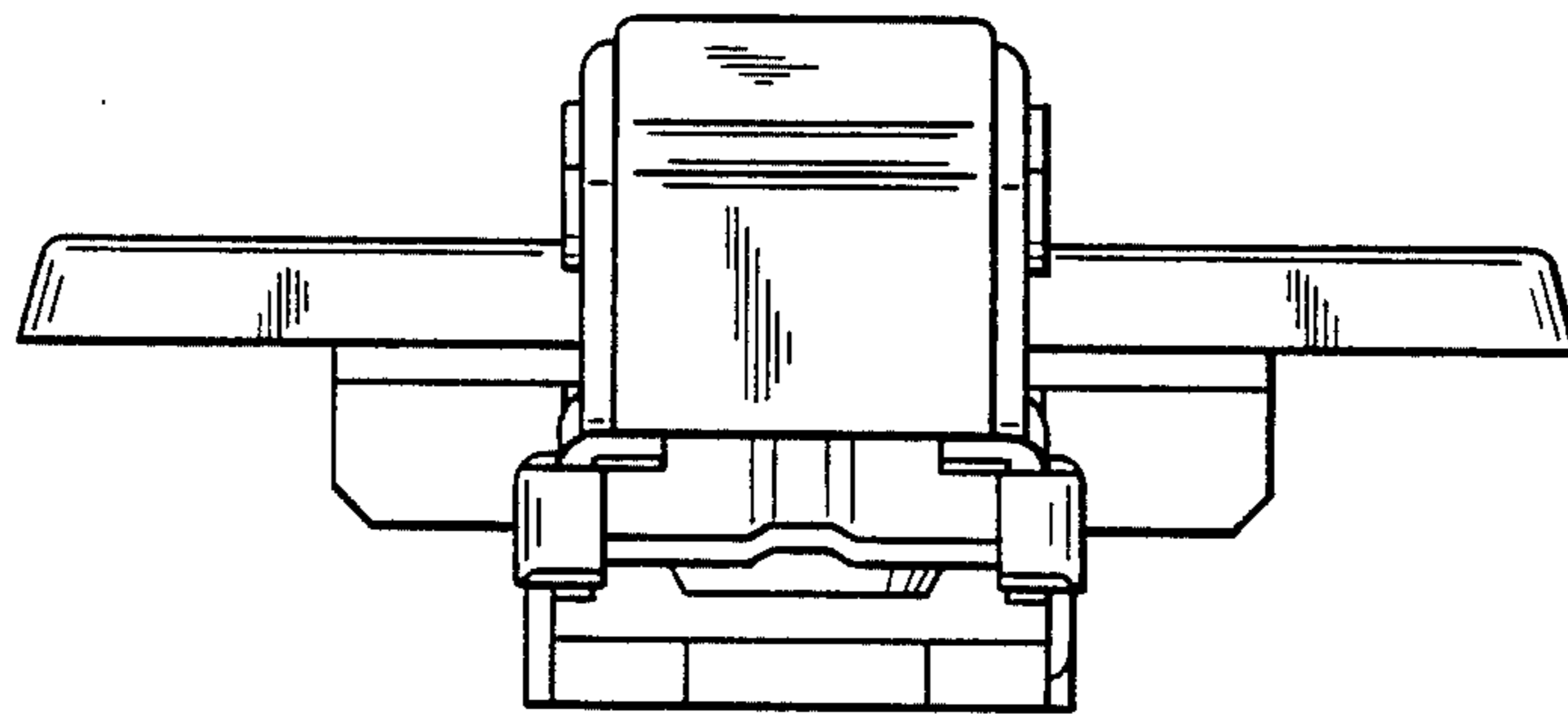


Fig. 4

Fig. 5



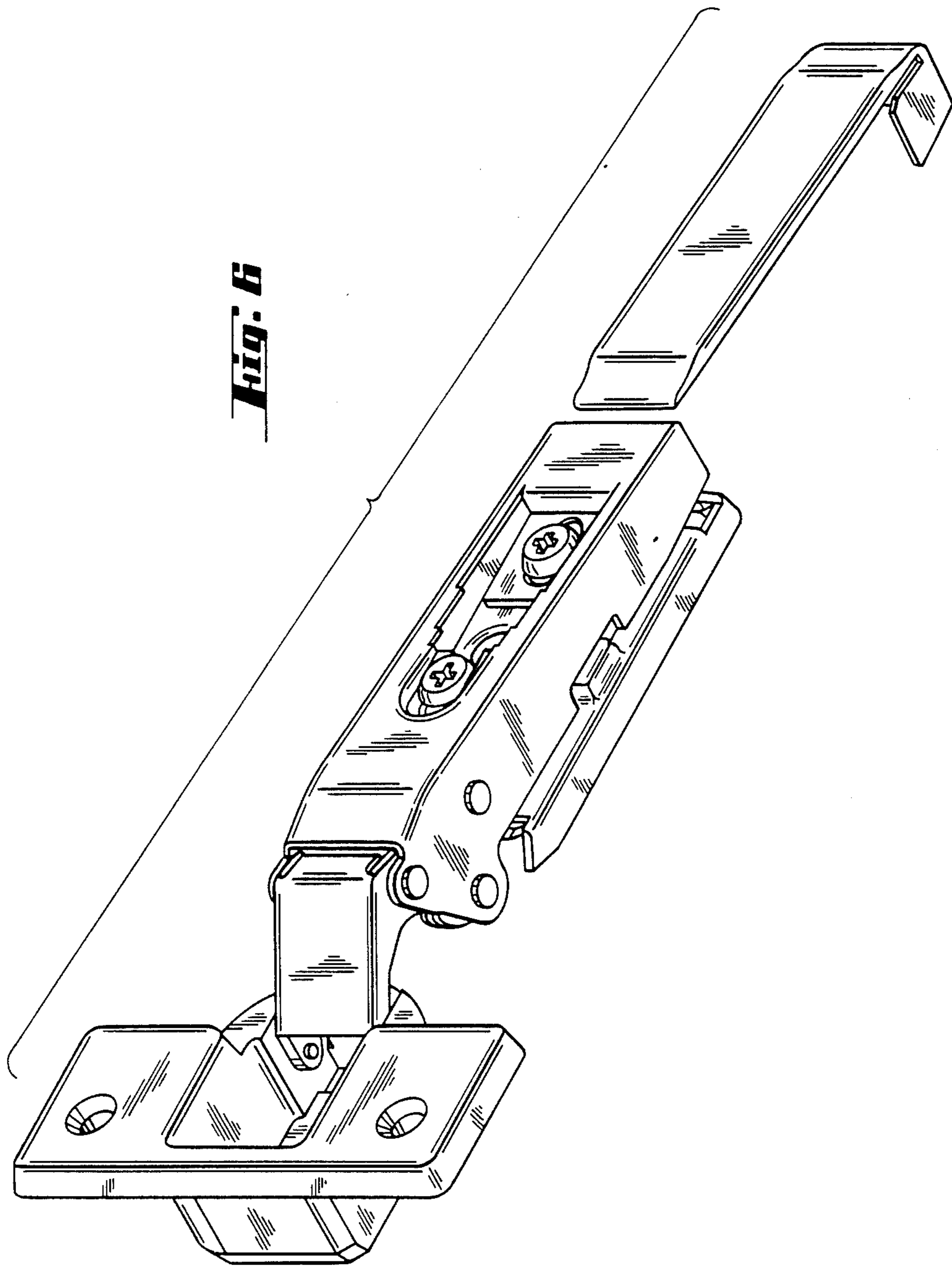


Fig. 6

Fig. 9

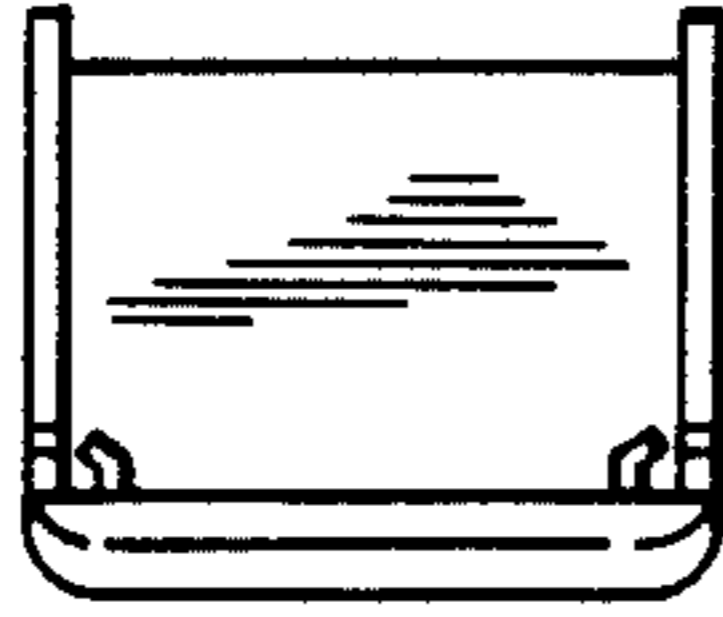


Fig. 11

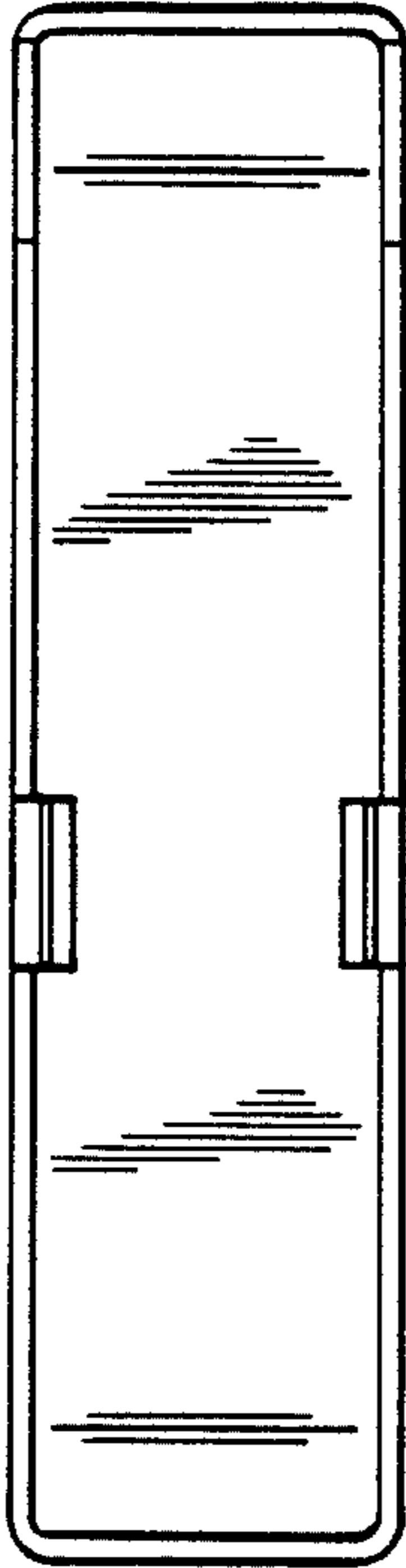


Fig. 10

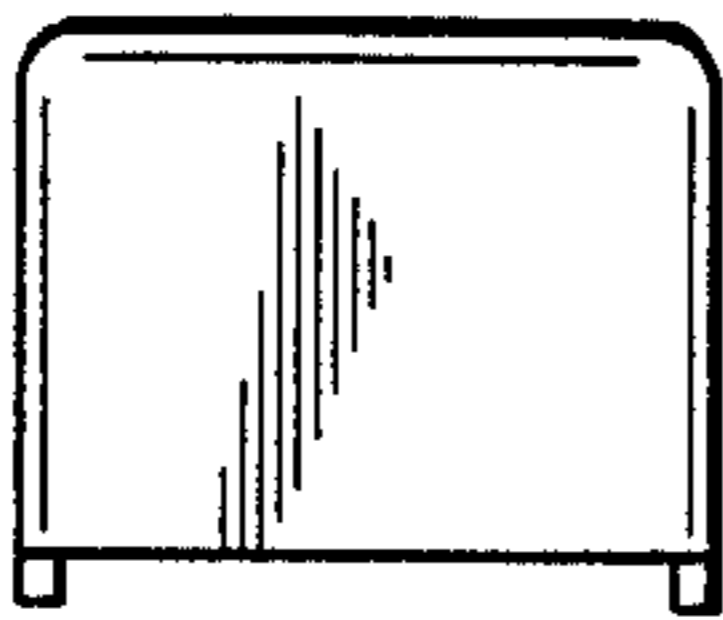


Fig. 7



Fig. 8

