

[54] ICE CREAM DISPENSING DEVICE OR SIMILAR ARTICLE

[76] Inventor: Kelley O. Adams, 405 E. Carson Dr., Tempe, Ariz. 85282

[**] Term: 14 Years

[21] Appl. No.: 126,293

[22] Filed: Nov. 27, 1987

[52] U.S. Cl. D7/681

[58] Field of Search D7/43, 104; 425/165, 425/281, 286, 279; 30/130

[56] References Cited

U.S. PATENT DOCUMENTS

| | | | |
|-----------|--------|-----------|---------|
| 1,721,045 | 7/1929 | Martineau | 425/286 |
| 1,826,009 | 1/1932 | Martineau | 425/281 |
| 1,831,386 | 2/1932 | Harris | 425/279 |
| 2,786,429 | 3/1957 | Barry | 425/286 |
| 3,005,421 | 3/1962 | Lea | 425/165 |

| | | | |
|-----------|---------|--------|-----------|
| 3,822,976 | 10/1934 | Moonan | 425/286 |
| 4,309,162 | 1/1982 | Parker | 425/286 X |

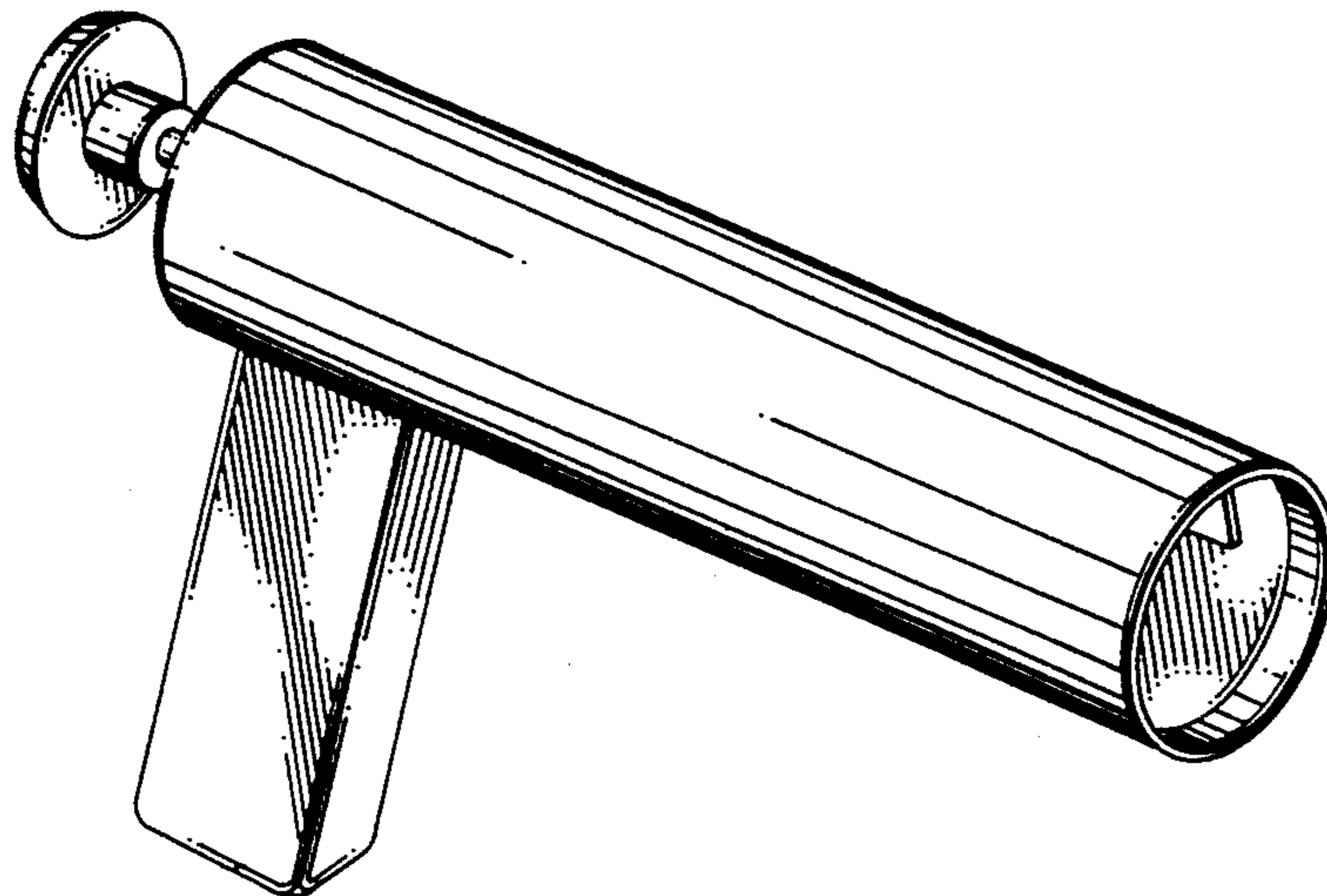
Primary Examiner—Bernard Ansher
Assistant Examiner—Terry A. Pfeffer
Attorney, Agent, or Firm—Don J. Flickinger; Jordan M. Meschkow; Lowell W. Gresham

[57] CLAIM

The ornamental design for an ice cream dispensing device or similar article, as shown and described.

DESCRIPTION

FIG. 1 is a perspective view of an ice cream dispensing device or similar article showing my new design; FIG. 2 is a left side elevational view thereof, the opposite side being a mirror image; FIG. 3 is a top plan view thereof; FIG. 4 is a bottom plan view thereof; FIG. 5 is a front elevational view thereof; and FIG. 6 is a rear elevational view thereof.



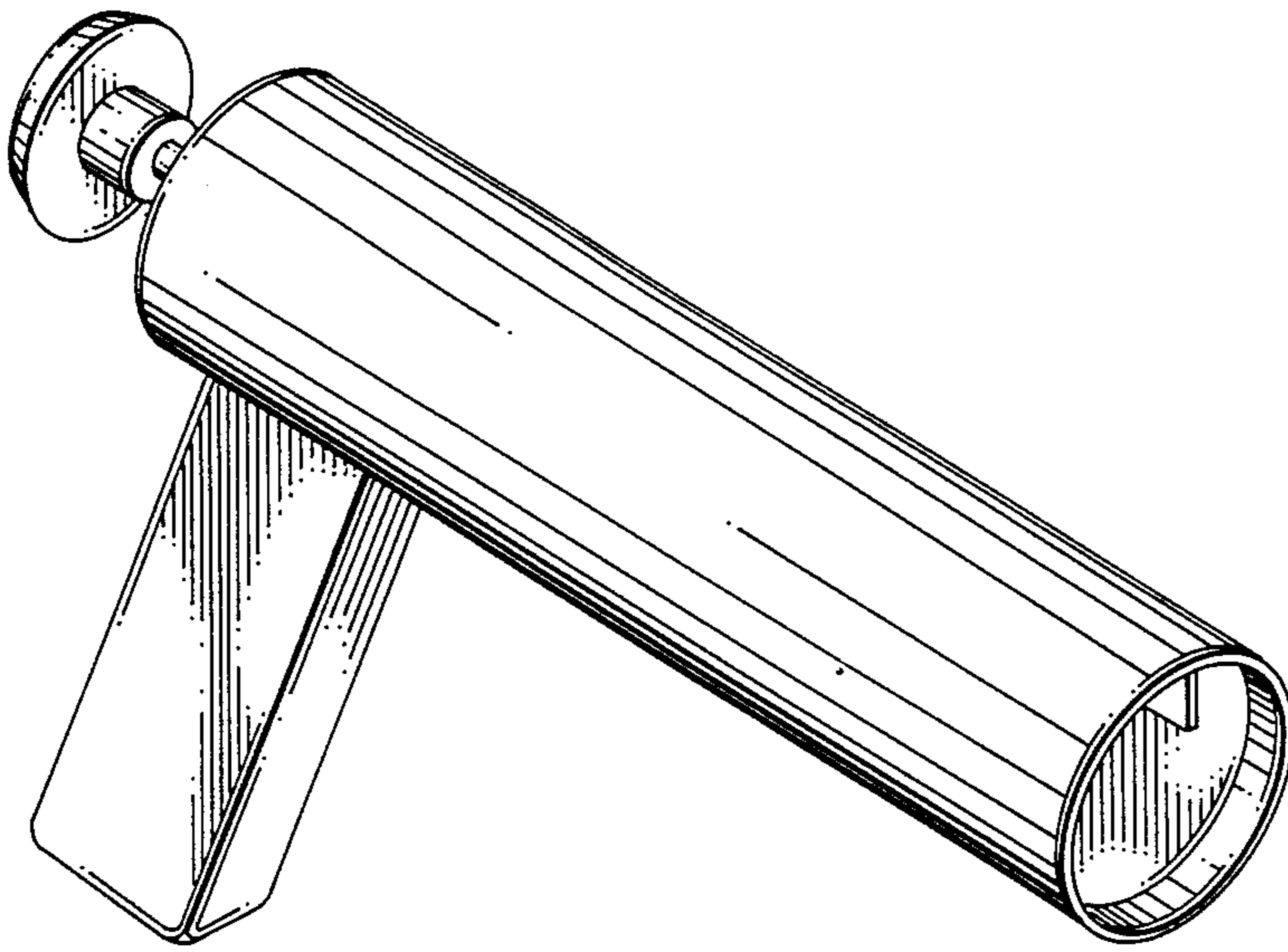


FIG. 1

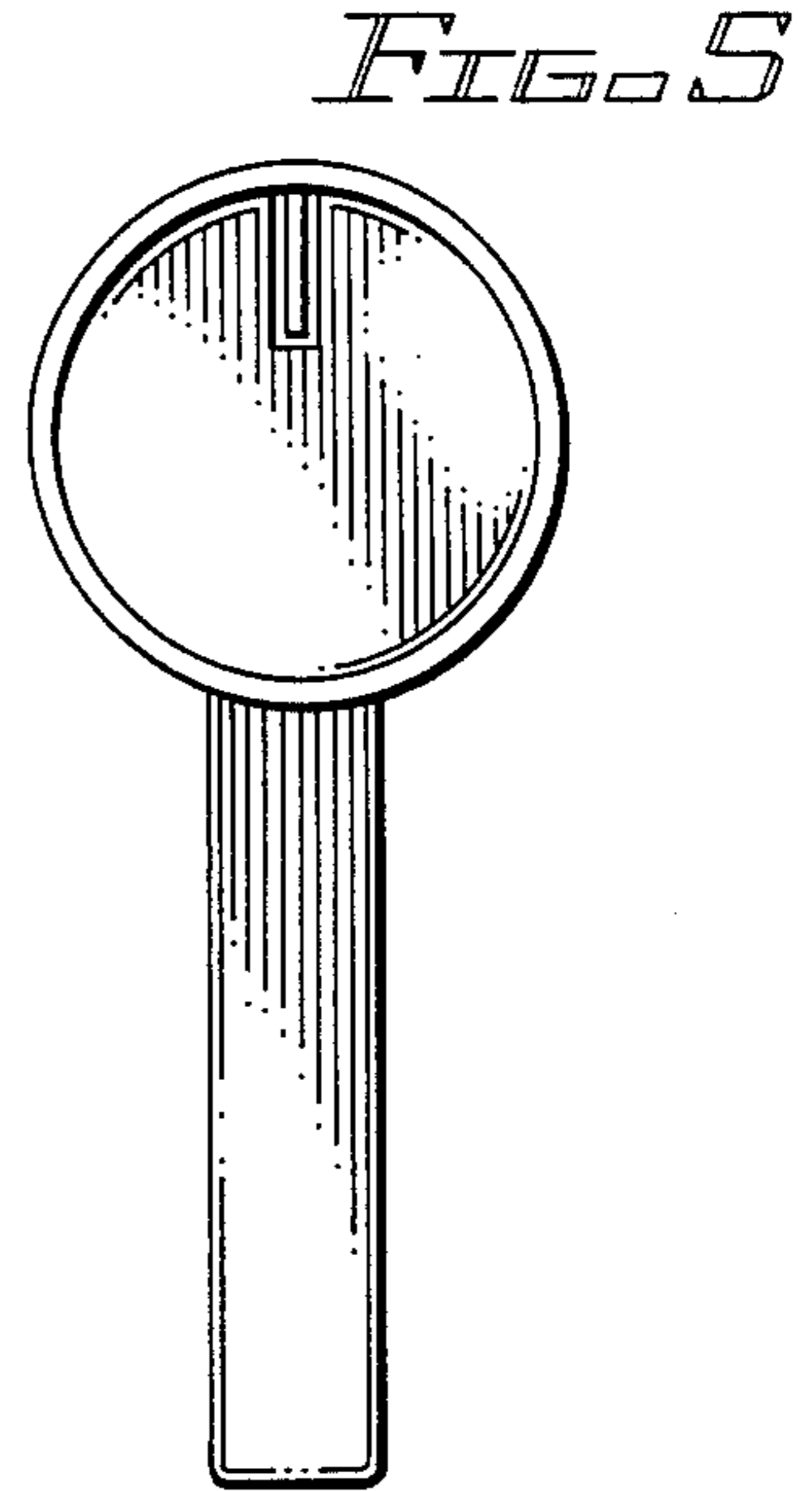


FIG. 5

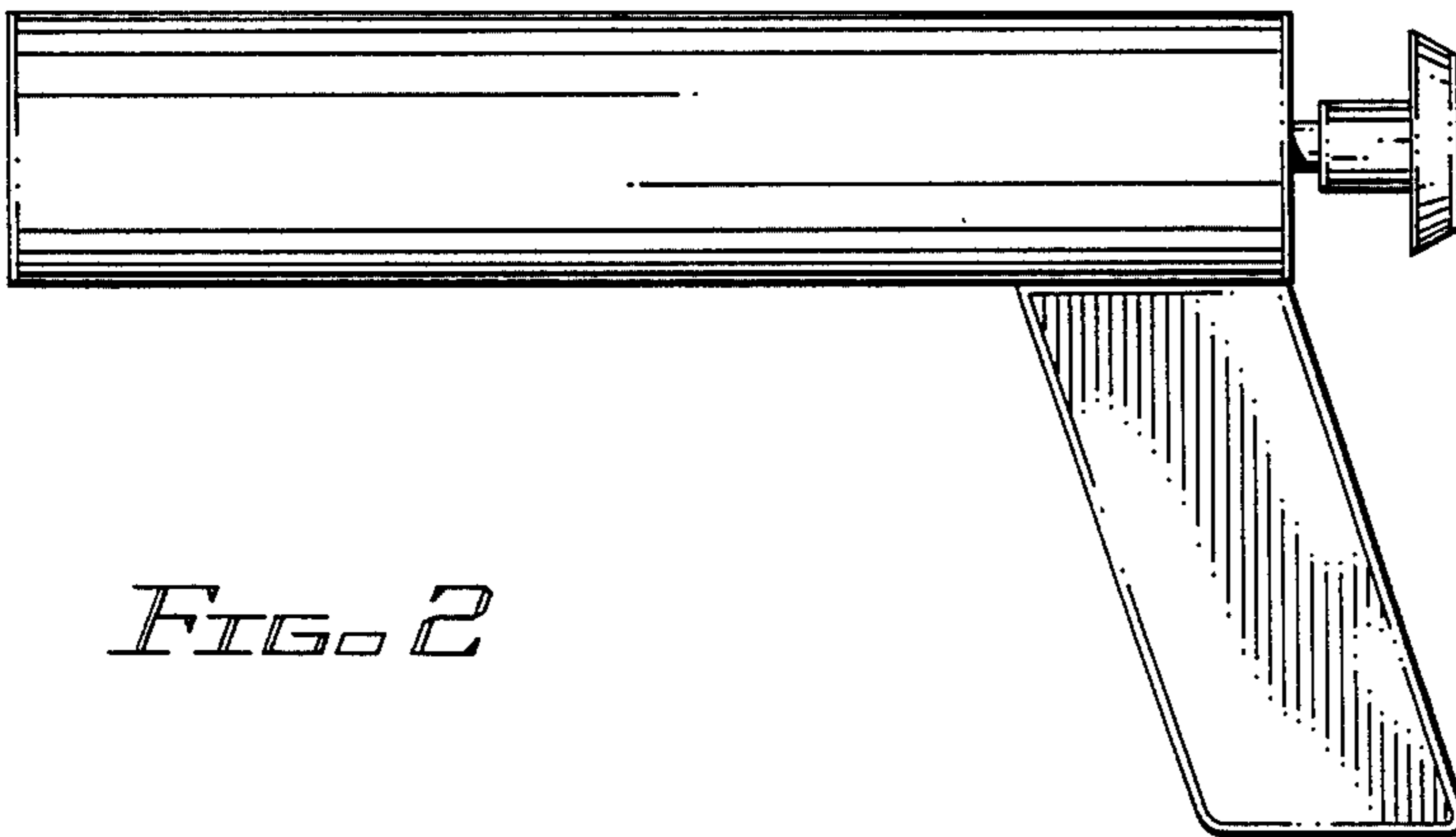


FIG. 2

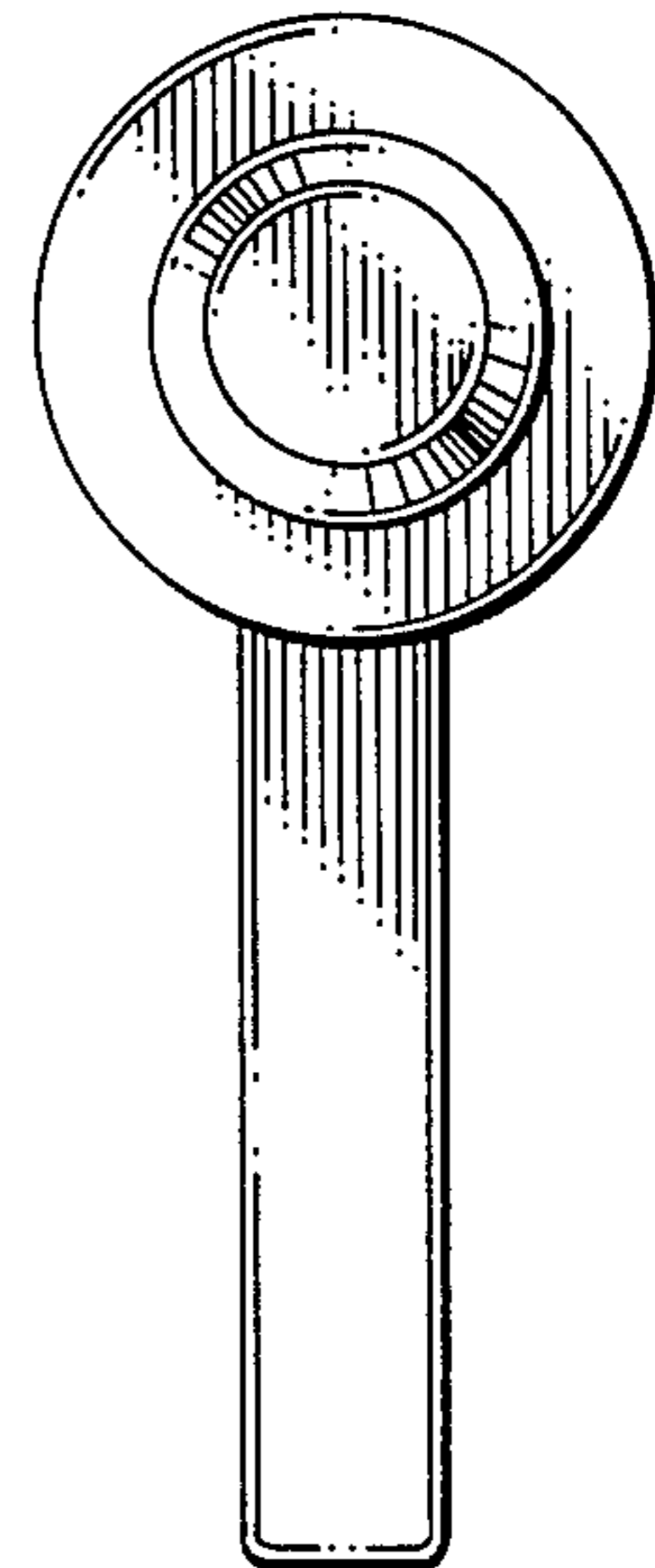


FIG. 6

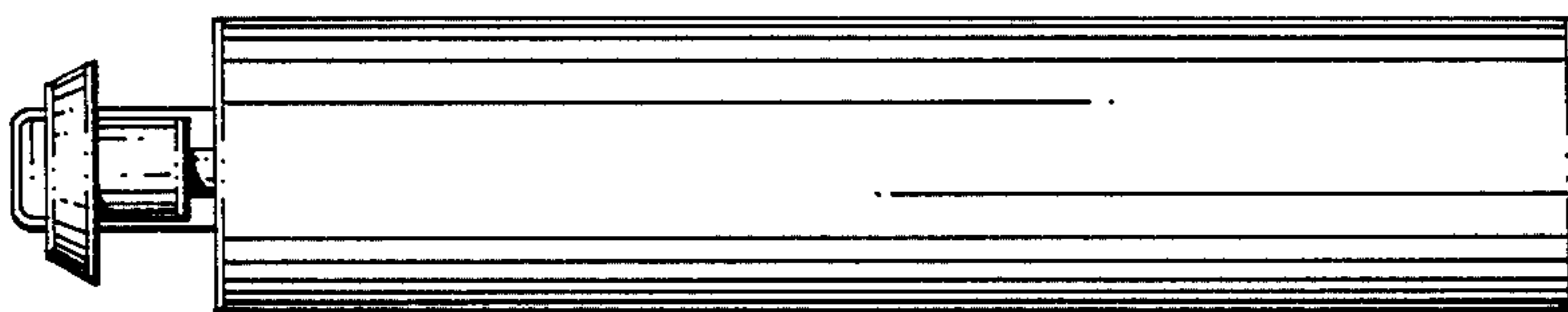


FIG. 3

FIG. 4

