

[54] COMBINED INSULATED FOOD AND BEVERAGE CONTAINER

[76] Inventor: Gabor Kadar, 8628 Darby Ave., Unit B, Northridge, Calif. 91325

[**] Term: 14 Years

[21] Appl. No.: 136,749

[22] Filed: Dec. 22, 1987

[52] U.S. Cl. D7/606

[58] Field of Search D7/76-77; 206/545, 541, 549; 62/457.1, 457.7, 371; 220/412; D13/9

[56] References Cited

U.S. PATENT DOCUMENTS

D. 259,320 5/1981 Tarozzi D7/77

Primary Examiner—Bernard Ansher

Assistant Examiner—Terry A. Pfeffer

Attorney, Agent, or Firm—Kelly, Bauersfeld & Lowry

[57] CLAIM

The ornamental design for a combined insulated food and beverage container, as shown and described.

DESCRIPTION

FIG. 1 is a top, front, and left side perspective view of a combined insulated food and beverage container showing my new design;

FIG. 2 is a top plan view thereof;

FIG. 3 is a front elevation view thereof;

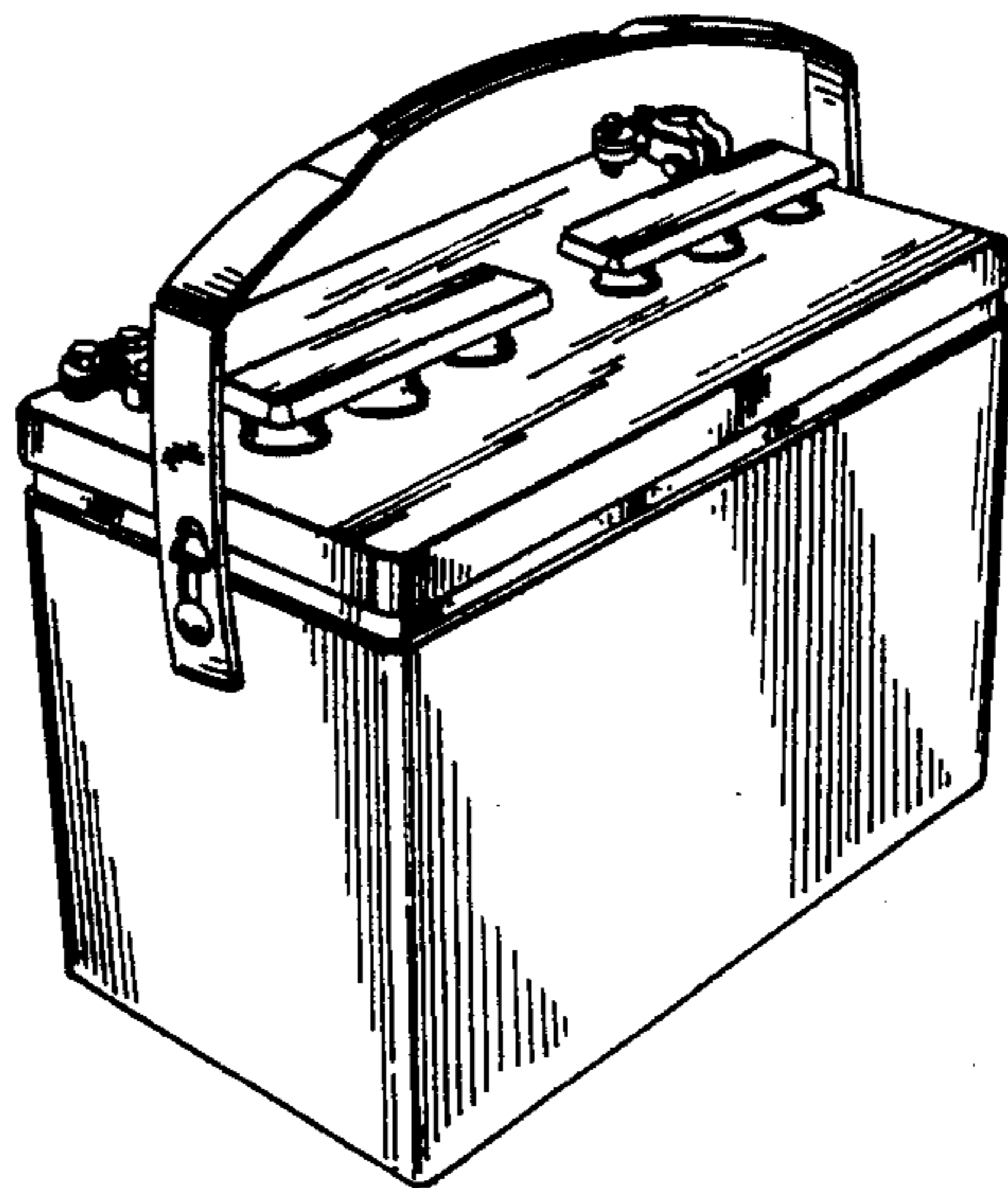
FIG. 4 is a rear elevation view thereof;

FIG. 5 is a right side elevation view thereof, the left side being a mirror image of the right side as shown;

FIG. 6 is a perspective view thereof with the lid removed for illustrated purposes; and

FIG. 7 is a perspective view thereof of a second embodiment, the lid being the same as the first embodiment and removed for illustrated purposes only.

The undisclosed bottom view is plane and unornamented.



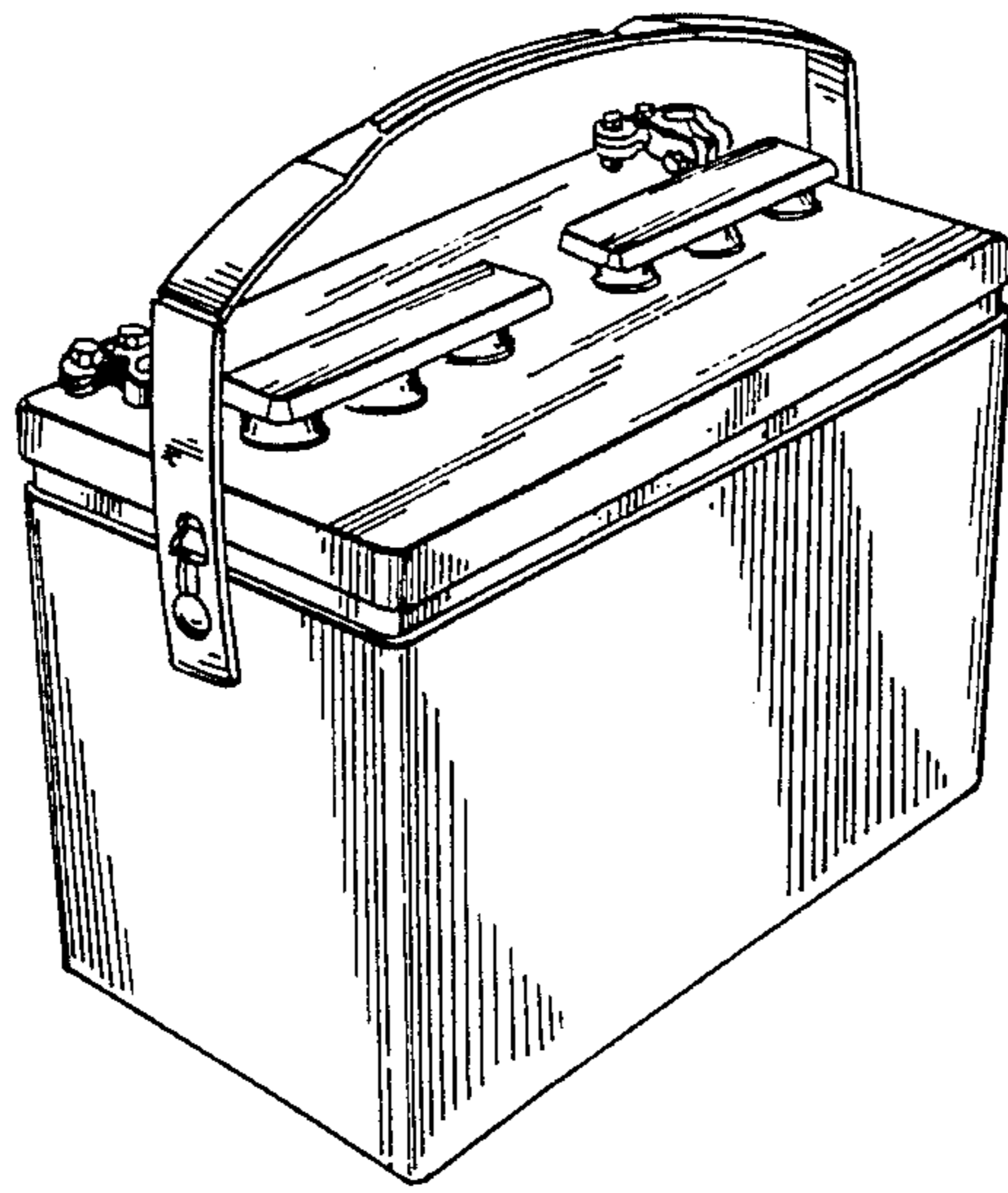


FIG. 1

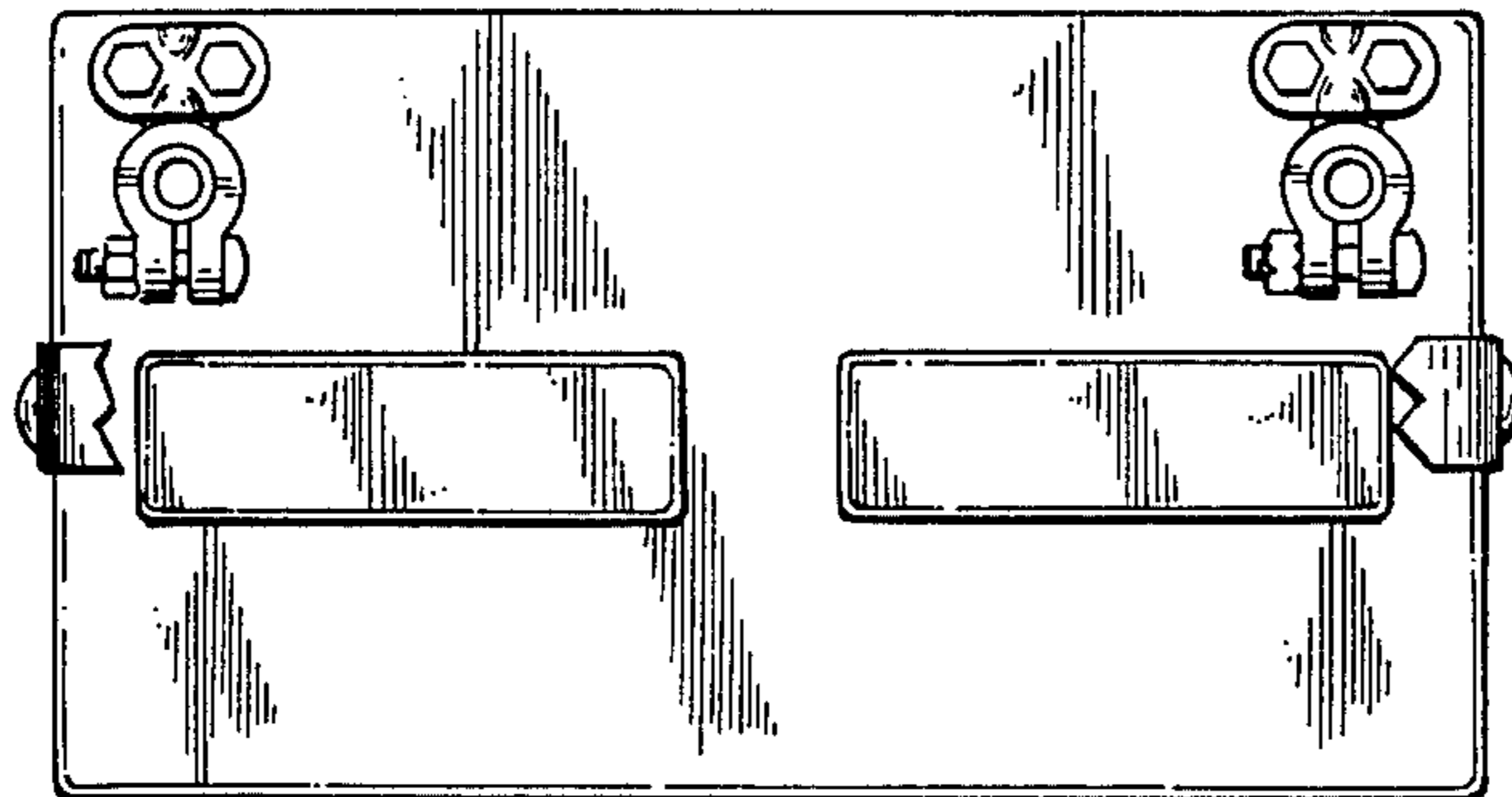


FIG. 2

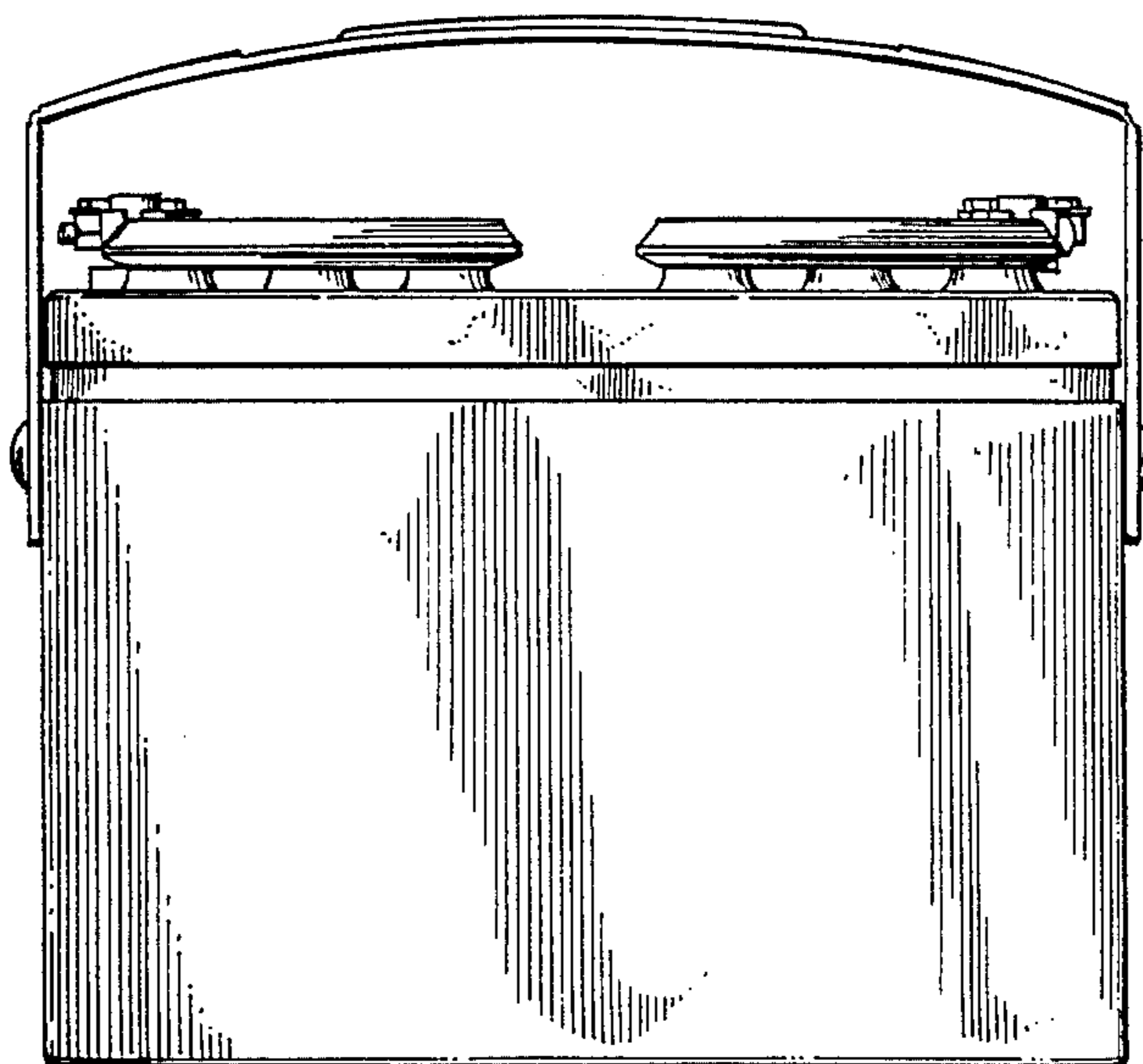


FIG. 3

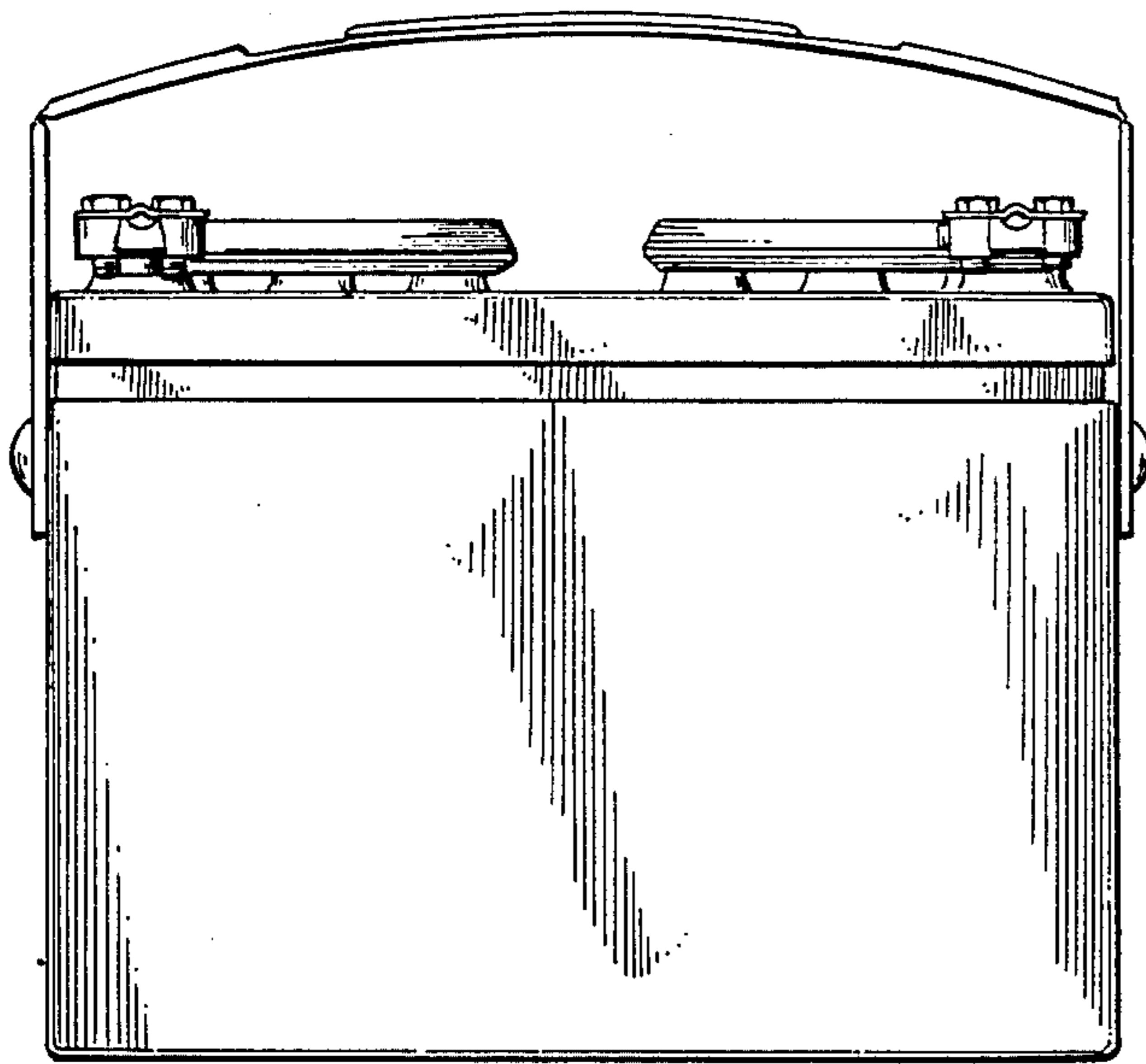


FIG. 4

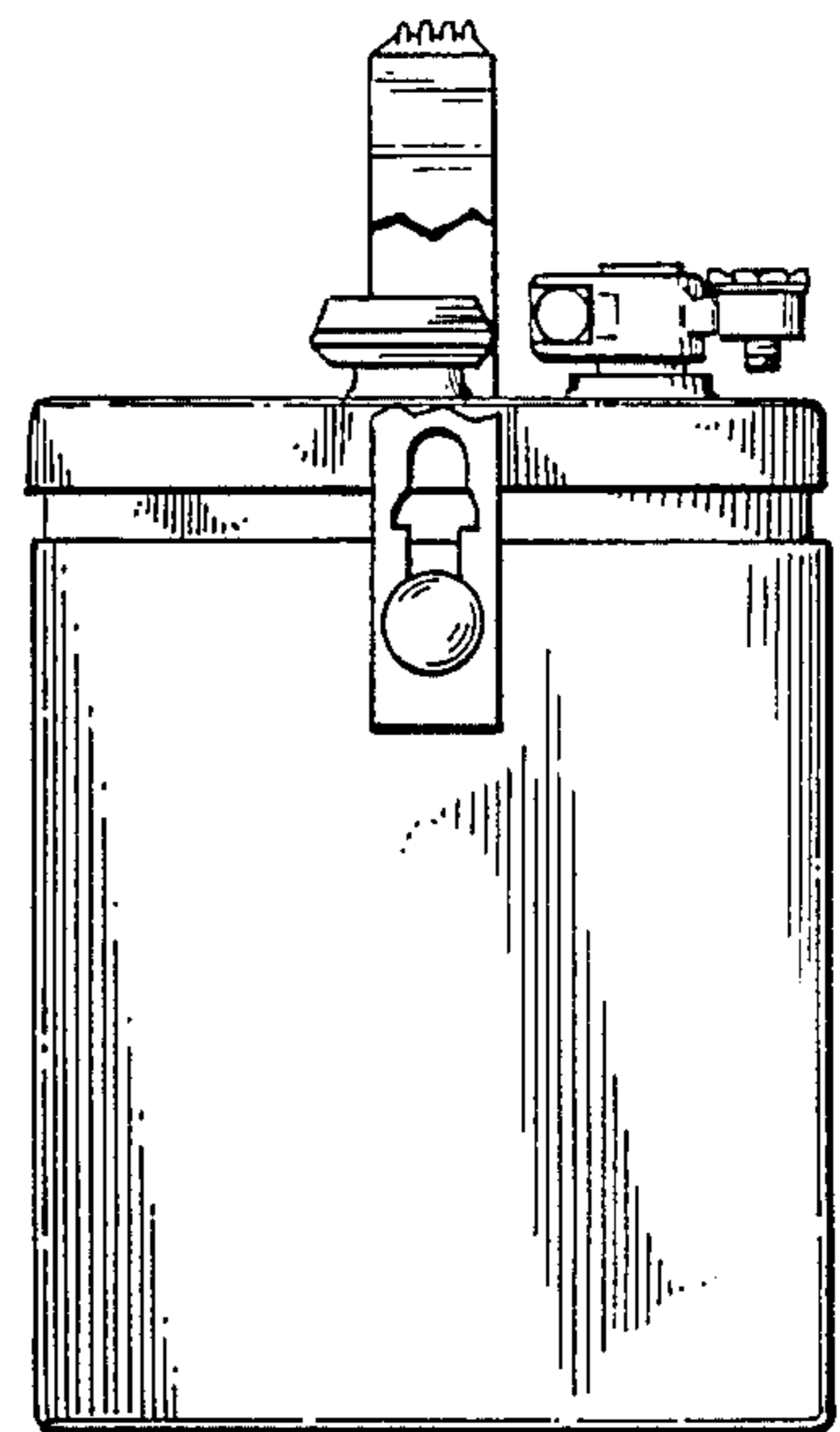


FIG. 5

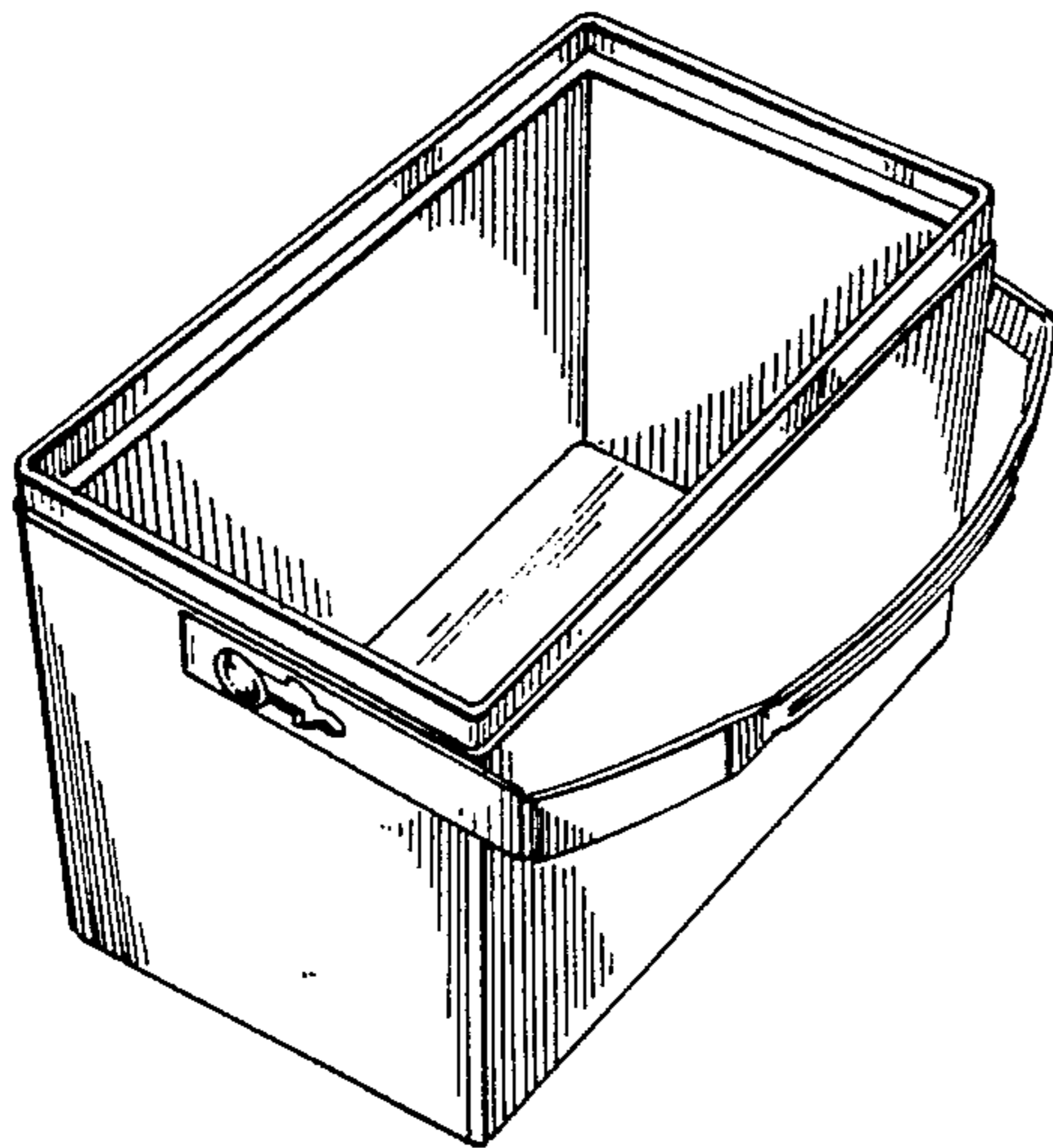


FIG. 6

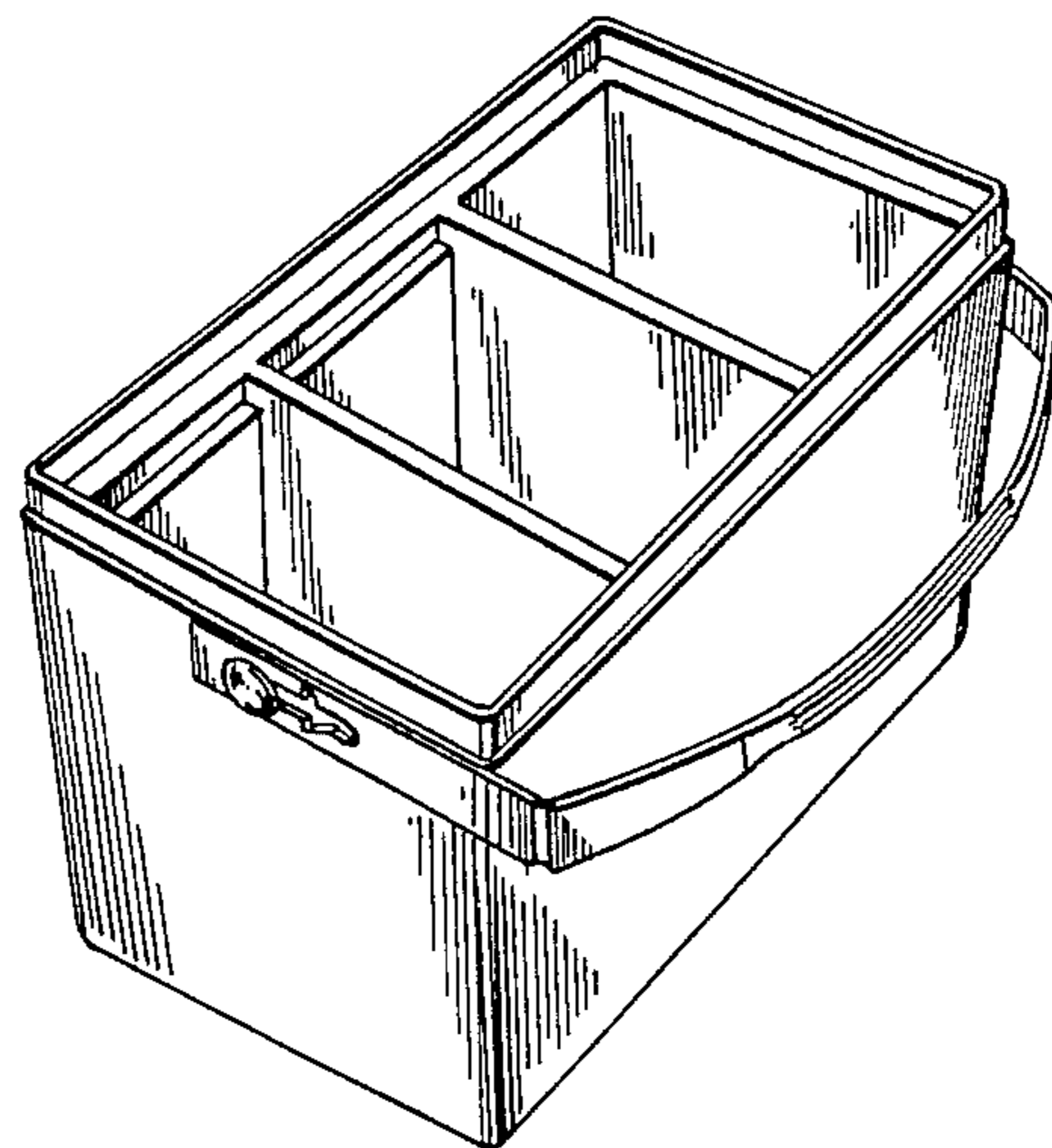


FIG. 7