

[54] **PIZZA GRIDDLE**

[76] **Inventor: Everett D. Strand, 4317 Dupont Ave. South, Minneapolis, Minn. 55409**

[**] **Term: 14 Years**

[21] **Appl. No.: 27,672**

[22] **Filed: Mar. 19, 1987**

[52] **U.S. Cl. D7/354; D7/359; D7/409**

[58] **Field of Search D7/354, 359, 407, 408, D7/409; 99/432, DIG. 15, 430, 450, 425; 219/10.55 E**

[56] **References Cited**

U.S. PATENT DOCUMENTS

D. 27,936	12/1897	Schmidt	D7/359
D. 248,142	6/1978	Greger	D7/1 X
503,756	3/1893	Uniack	99/432
1,641,090	8/1927	Miller	99/432
1,733,450	10/1929	Detwiler .	
1,906,999	5/1933	Parker .	
2,534,407	12/1950	Bramberry .	
2,583,887	1/1952	Schneeweiss	99/DIG. 15 X
3,469,524	9/1969	Trozzolo .	

3,847,068	11/1974	Beer et al.	D7/361 X
4,369,346	1/1983	Hart et al.	219/10.55 E
4,649,053	3/1987	Lamonica	99/DIG. 15 X
4,729,297	3/1988	Iranzadi	99/425 X

FOREIGN PATENT DOCUMENTS

1126524	6/1982	Canada	99/DIG. 15 X
28859	of 1909	United Kingdom	99/450 X

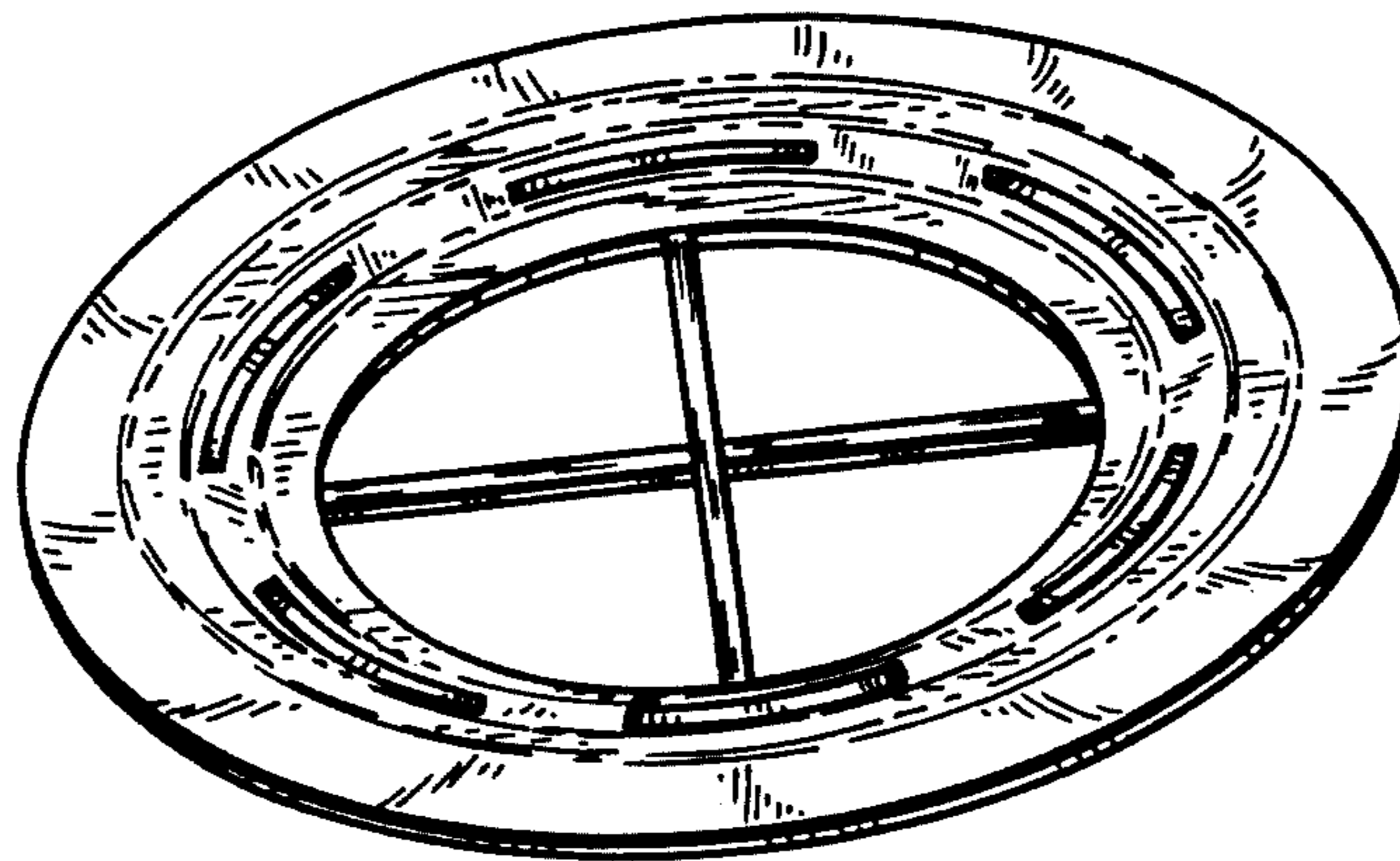
Primary Examiner—Winifred E. Herrmann
Attorney, Agent, or Firm—Orrin M. Haugen; Thomas J. Nikolai; Frederick W. Niebuhr

[57] **CLAIM**

The ornamental design for a pizza griddle, as shown and described.

DESCRIPTION

FIG. 1 is a top perspective view of a pizza griddle showing my new design;
FIG. 2 is a top plan view thereof;
FIG. 3 is a bottom plan view thereof;
FIG. 4 is a side elevational view thereof on an enlarged scale; and
FIG. 5 is a cross-sectional view thereof on an enlarged scale taken on line 5—5 of FIG. 2.



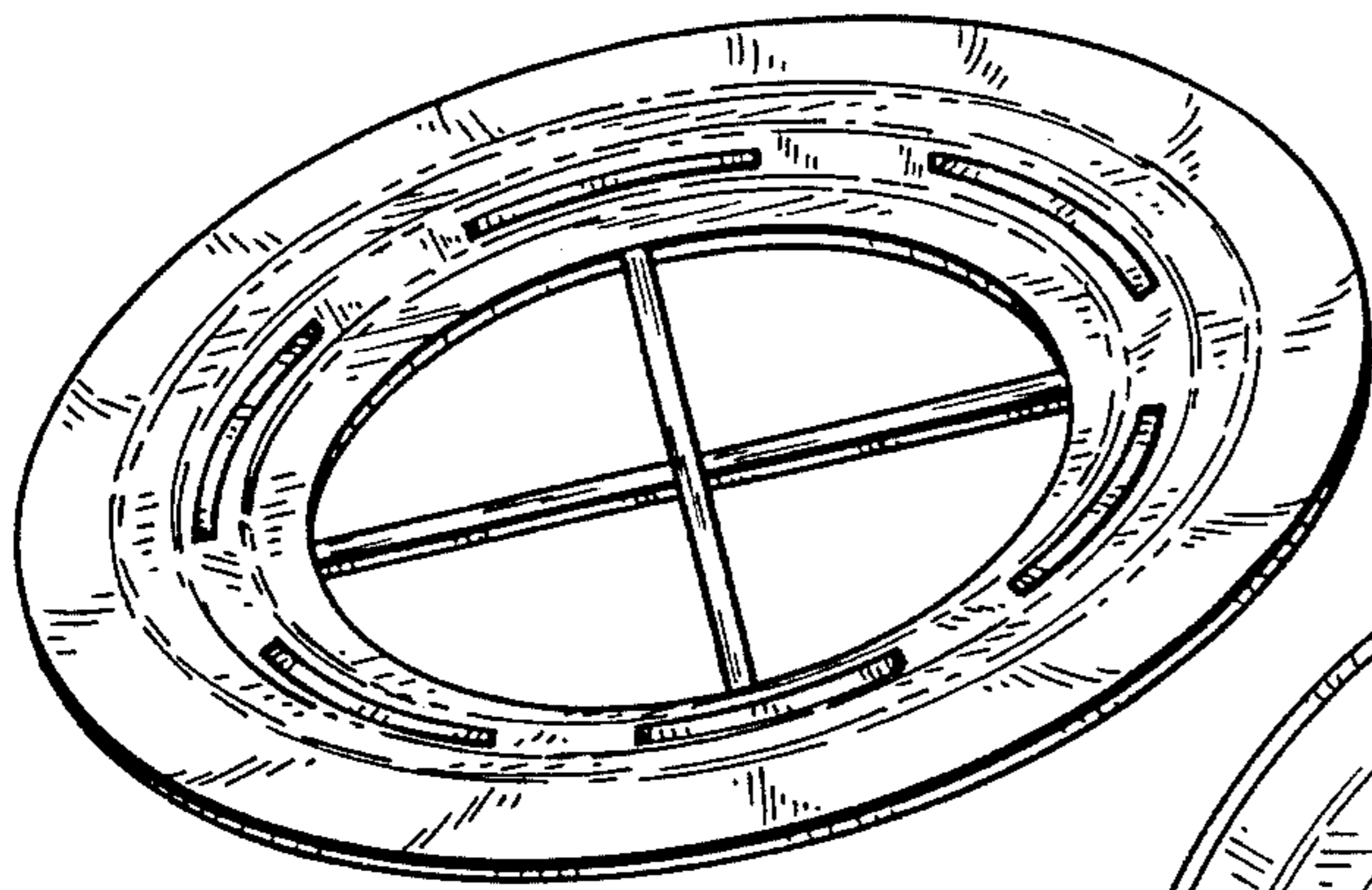


Fig. 1

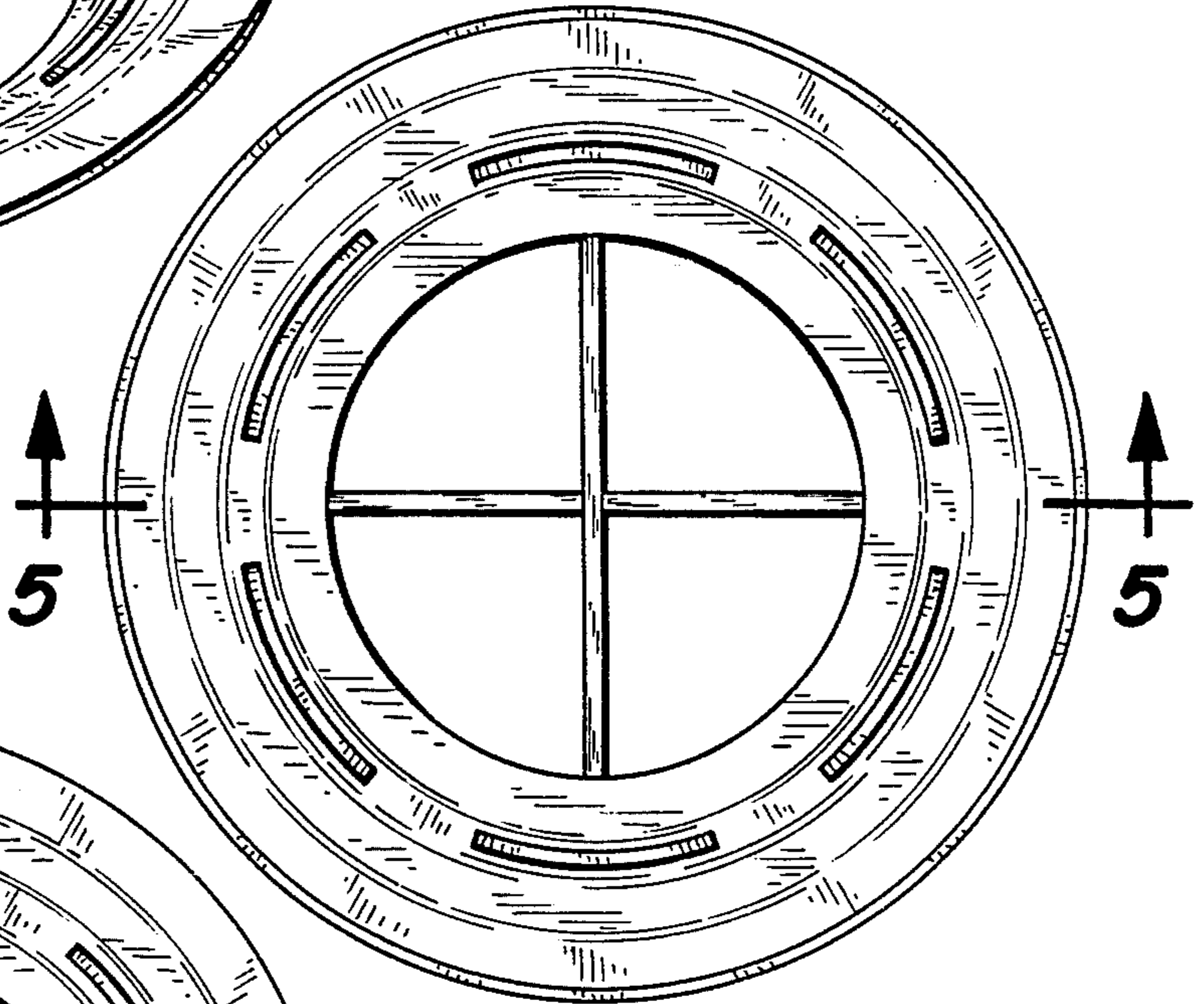


Fig. 2

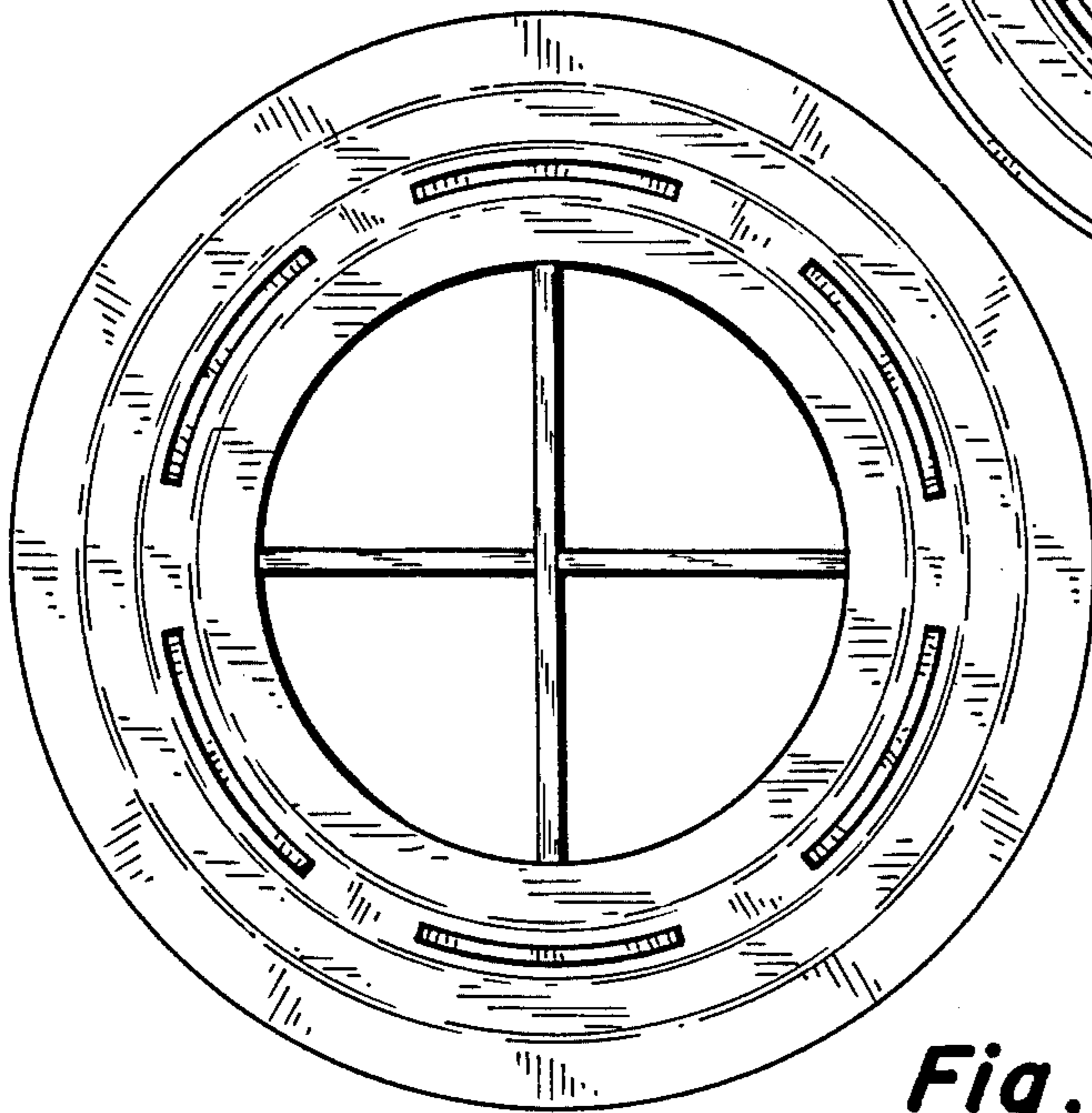


Fig. 3

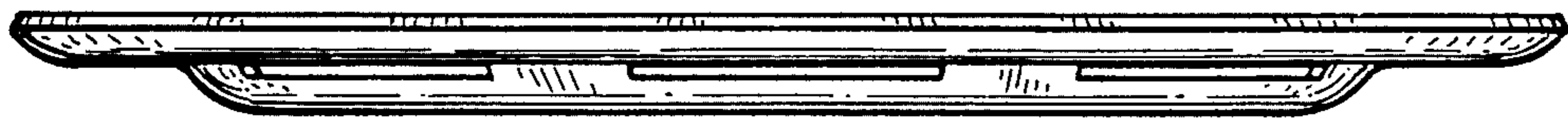


Fig. 4

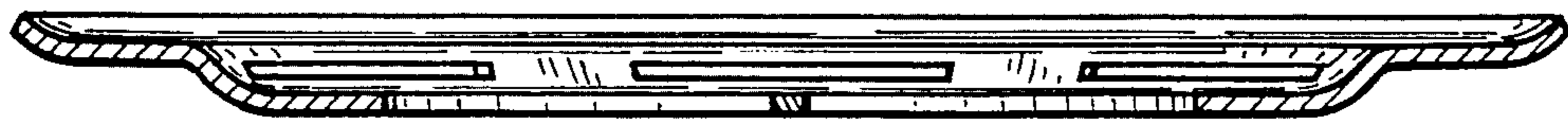


Fig. 5

Disclaimer

Des. 309,692.—*Everett D. Strand*, Minneapolis, Minn. PIZZA GRIDDLE. Patent dated Aug. 7, 1990.
Disclaimer filed May 21, 1990, by the inventor.

The term of this patent subsequent to Nov. 13, 2004, has been disclaimed.
[*Official Gazette Nov. 20, 1990*]