

[54] TOOL RACK

3,269,550 8/1966 Marcus ..... 211/70.6

[75] Inventors: Donald Embree, Copley; David L. Hamann, Cincinnati, both of Ohio

[73] Assignee: Rubbermaid Incorporated, Wooster, Ohio

[\*\*] Term: 14 Years

[21] Appl. No.: 213,160

[22] Filed: Jun. 29, 1988

[52] U.S. Cl. .... D6/567; D6/552; D6/553; D6/574

[58] Field of Search ..... D6/512, 553, 567, 574; 211/13, 60.1, 69, 70.6, 70.7, 86-88; 248/309.1

[56] References Cited

U.S. PATENT DOCUMENTS

D. 164,875	10/1951	Perez	.....	D6/574
D. 234,066	1/1975	Wallace	.....	D6/569
D. 294,668	3/1988	Handler et al.	.....	D6/569 X
D. 299,481	1/1989	Handler et al.	.....	D6/569
D. 299,687	2/1989	Handler et al.	.....	D6/574
3,187,902	6/1965	Nelson	.....	211/70.6

OTHER PUBLICATIONS

Catalog p. 4/6, Hirsh Company, catalogue, Tool Holders, Publication Date 1986.

Page 213, Flair, Catalogue, Tool Rack, Publication Date unknown.

Primary Examiner—Wallace R. Burke

Assistant Examiner—Brian N. Vinson

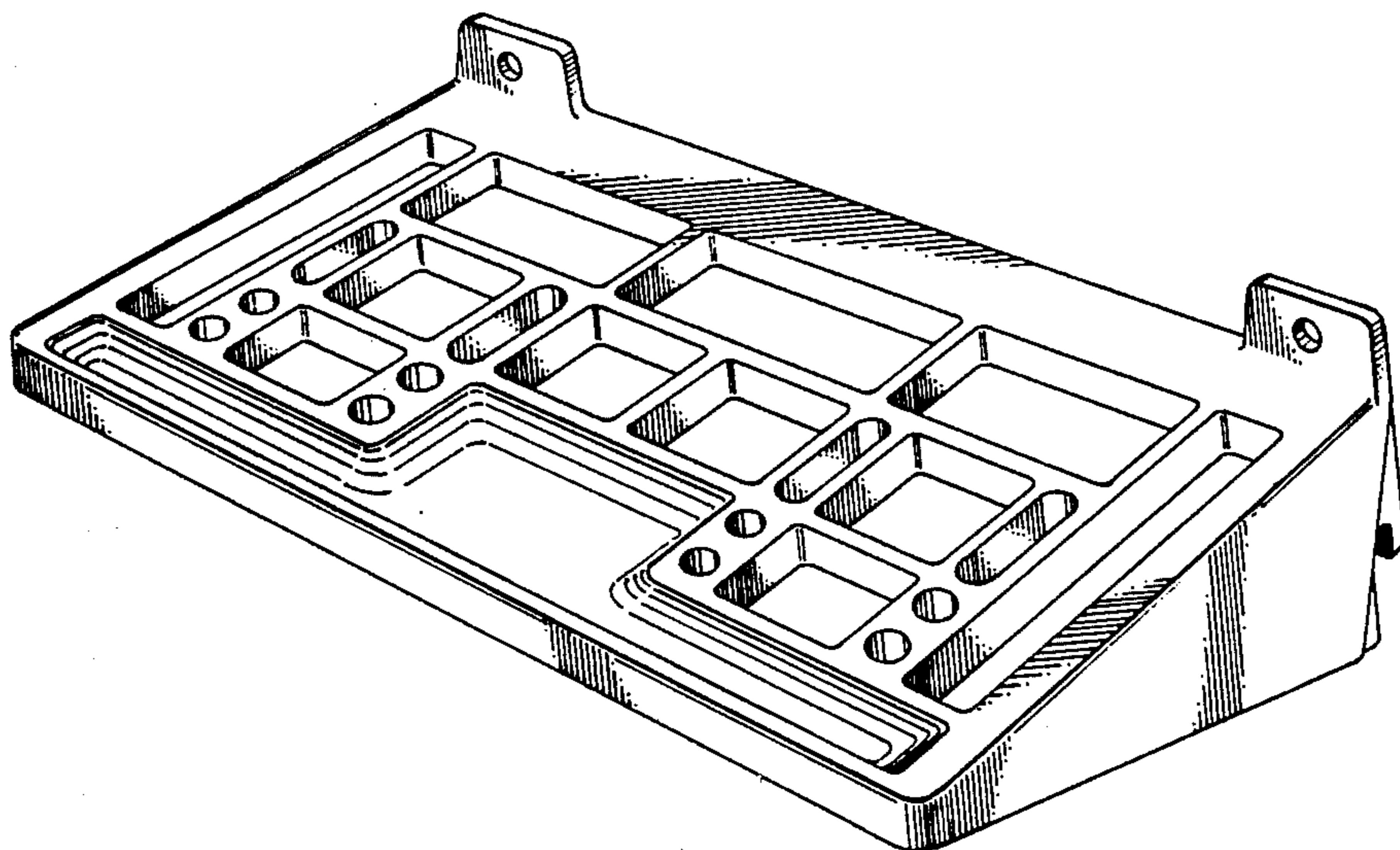
Attorney, Agent, or Firm—Richard B. O’Planick

[57] CLAIM

The ornamental design for a tool rack, as shown and described.

DESCRIPTION

FIG. 1 is a top, front, and right side perspective view of a tool rack showing our new design; FIG. 2 is a front elevational view thereof; FIG. 3 is a rear elevational view thereof; FIG. 4 is a left side elevational view thereof, the right side being a mirror image of that shown; FIG. 5 is a bottom plan view thereof; and FIG. 6 is a top plan view thereof.



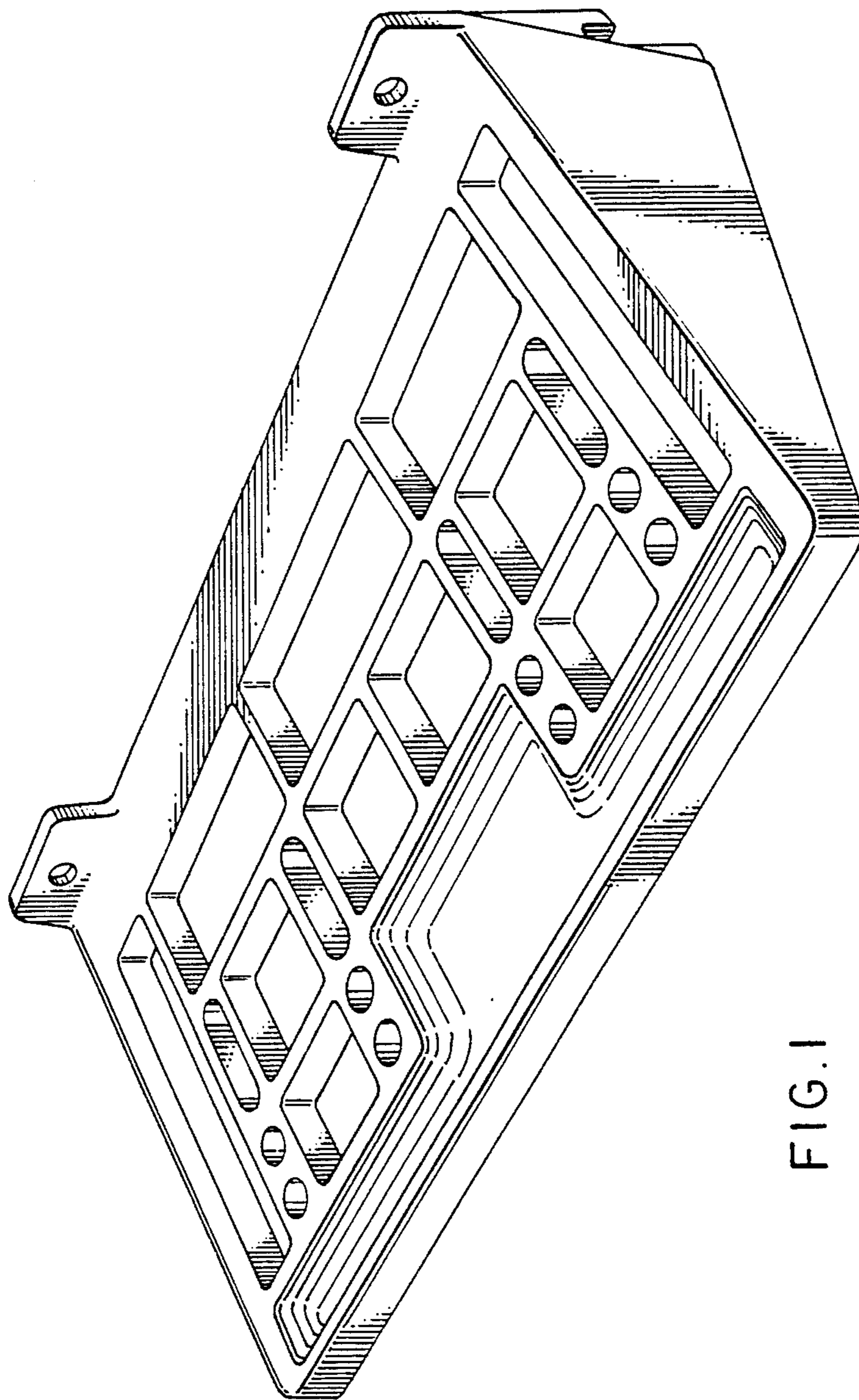


FIG. 1

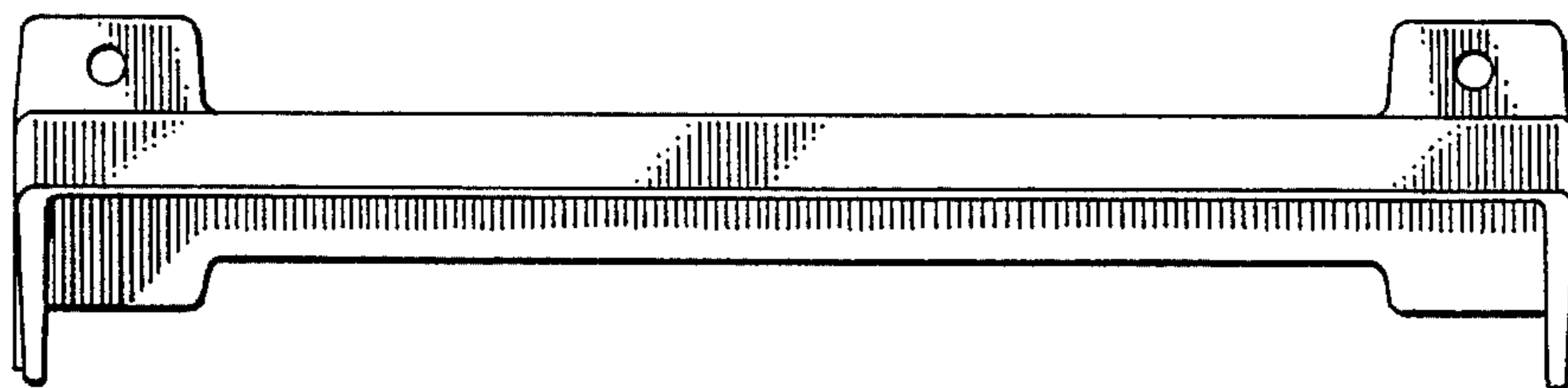


FIG. 2

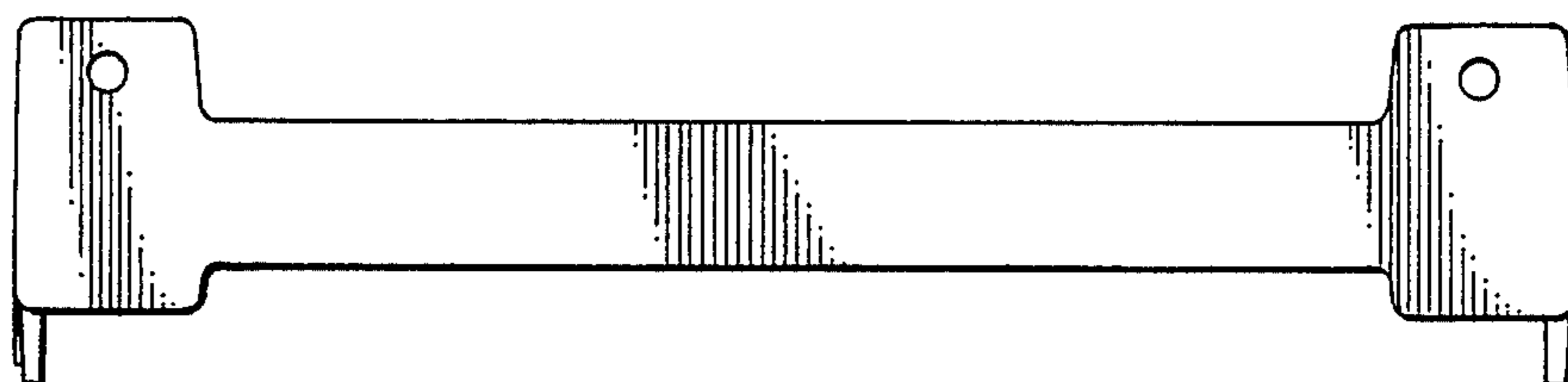


FIG. 3

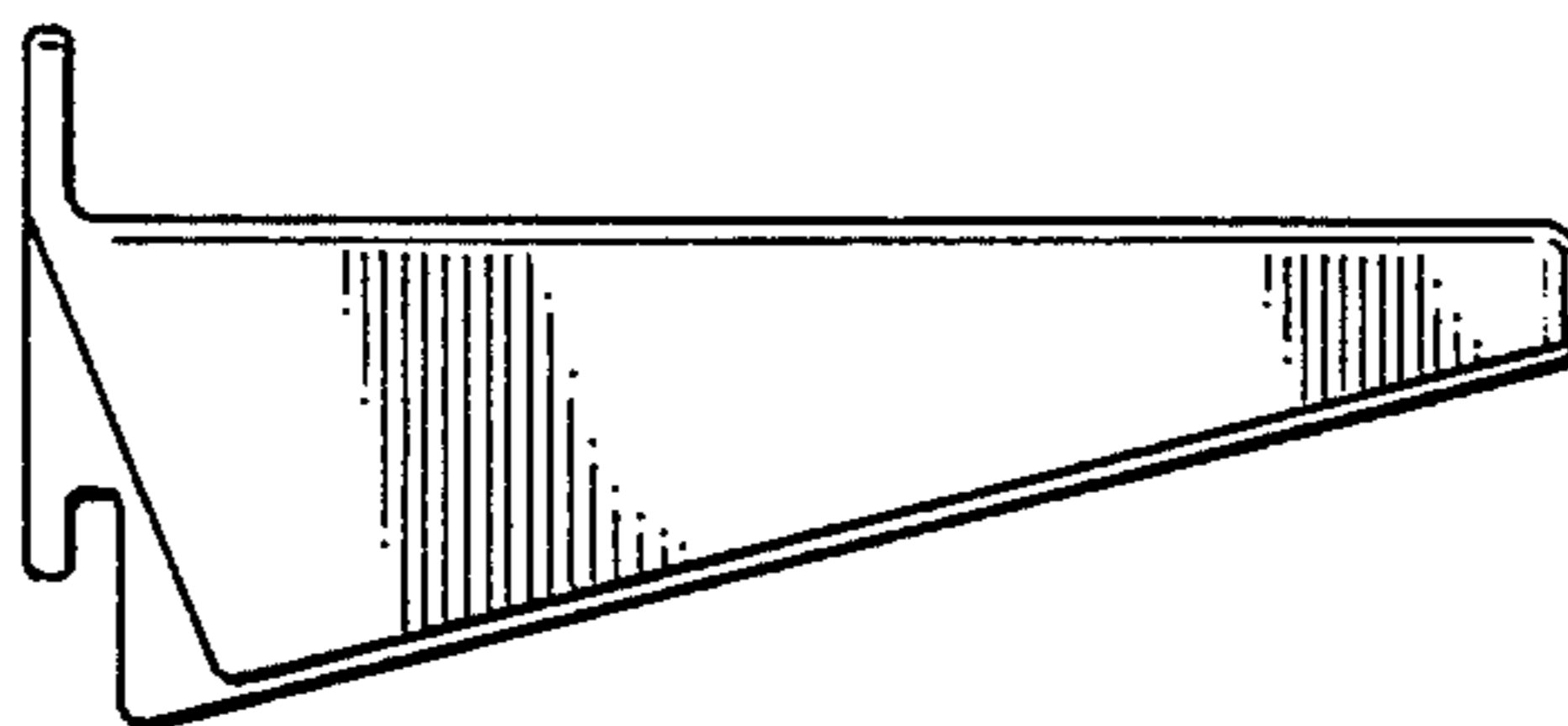


FIG. 4

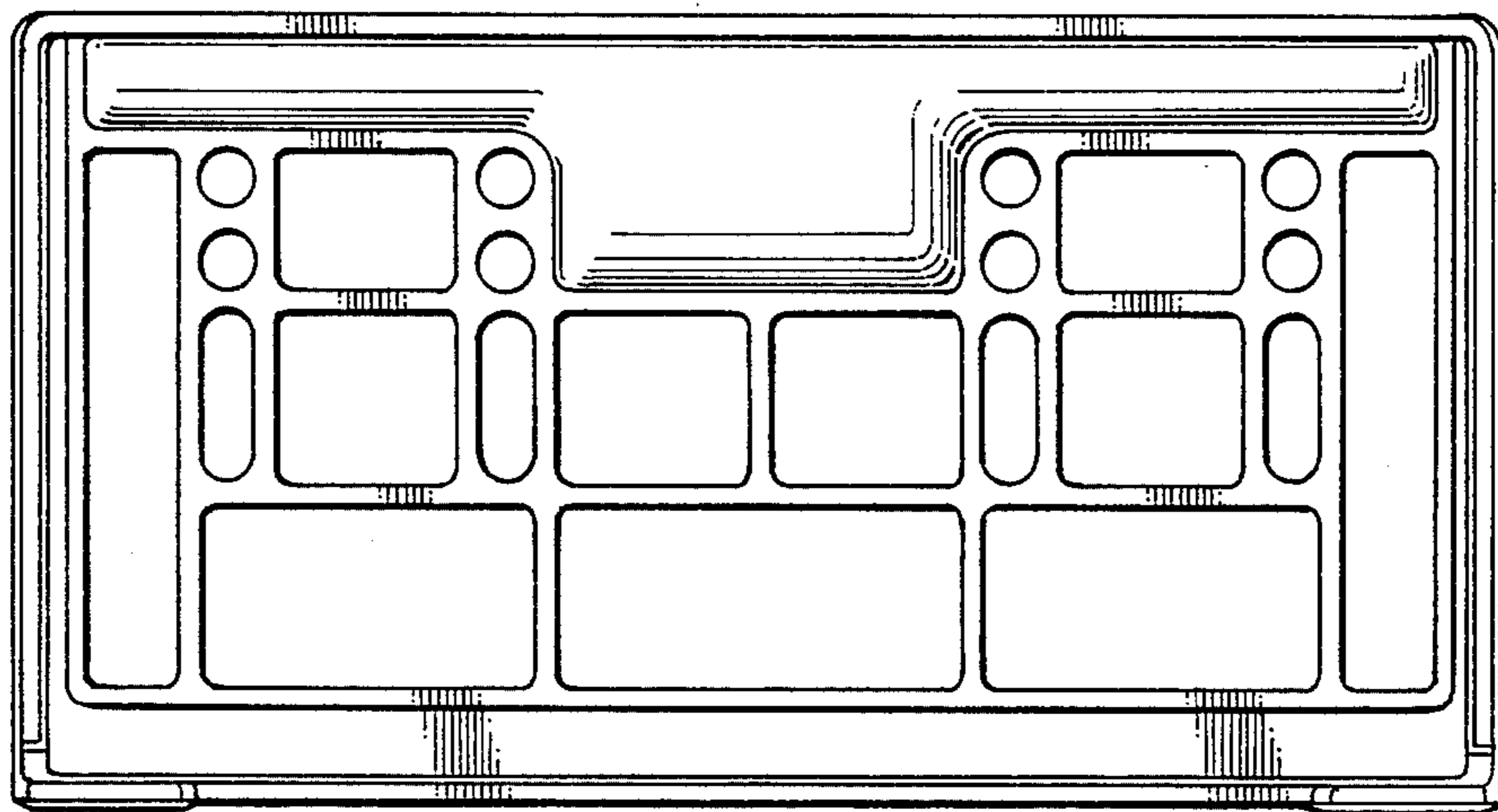


FIG. 5

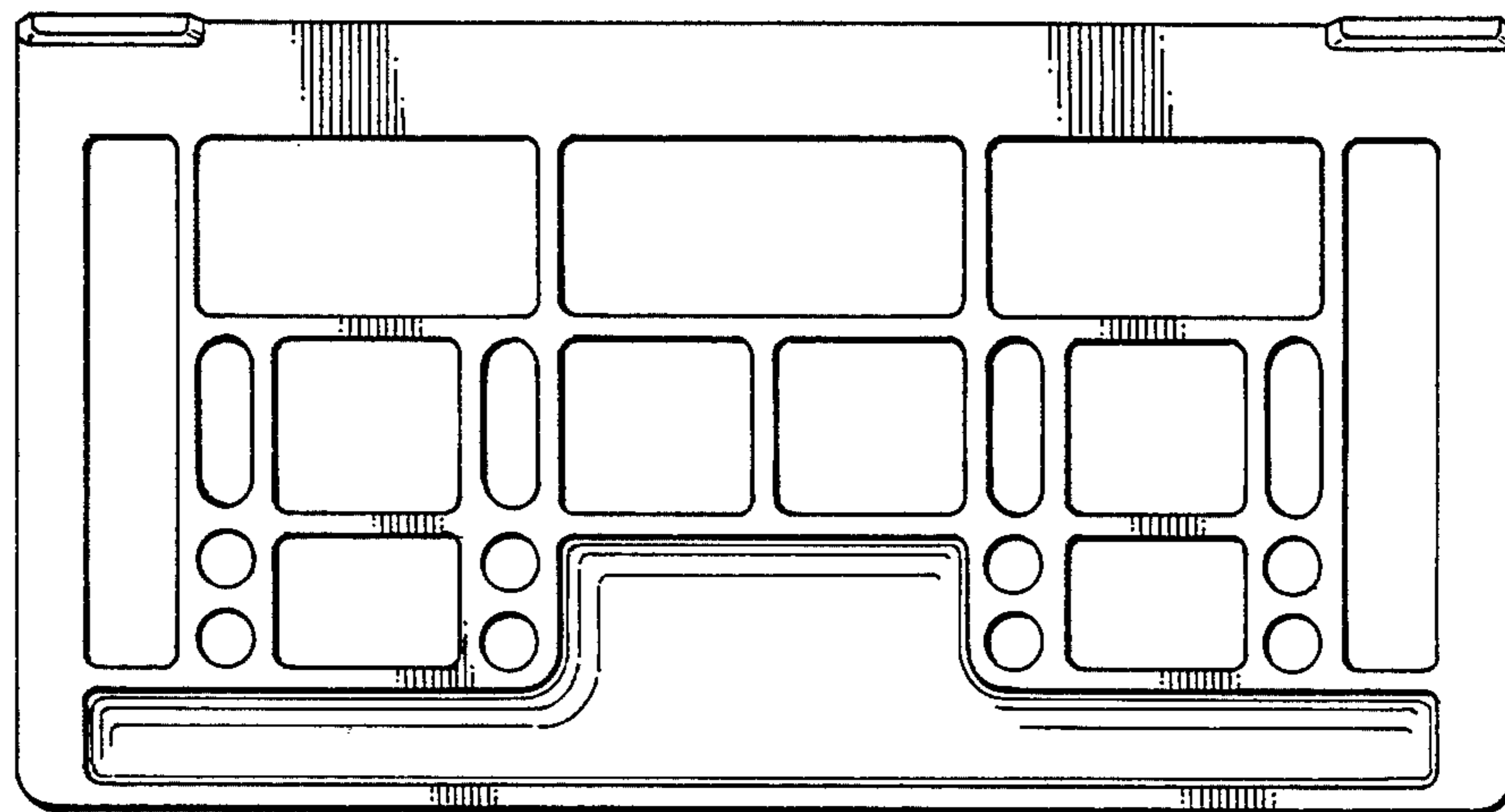


FIG. 6