

[54] **ATTACHMENT TRAY FOR A WALKER OR SIMILAR ARTICLE**

[76] **Inventor: Kathlene M. Kohler, 4351 S. Galapago St., Denver, Colo. 80110**

[**] **Term: 14 Years**

[21] **Appl. No.: 58,746**

[22] **Filed: Jun. 5, 1987**

[52] **U.S. Cl. D6/511; D7/549; D7/554**

[58] **Field of Search D6/511; D7/550-553, D7/543, 549, 554**

[56] **References Cited**

U.S. PATENT DOCUMENTS

- D. 138,358 7/1944 Weeks D7/550
- D. 145,764 10/1946 Zelov D7/549
- D. 159,454 7/1950 Waltman D7/553
- D. 173,154 10/1954 Harmon D6/511 X
- D. 229,999 1/1974 Blazey D6/511

- D. 249,774 10/1978 Seager D7/553
- D. 251,102 2/1979 Box D7/553
- D. 256,201 8/1980 Ventura D6/511
- D. 300,496 4/1989 Childress D7/554

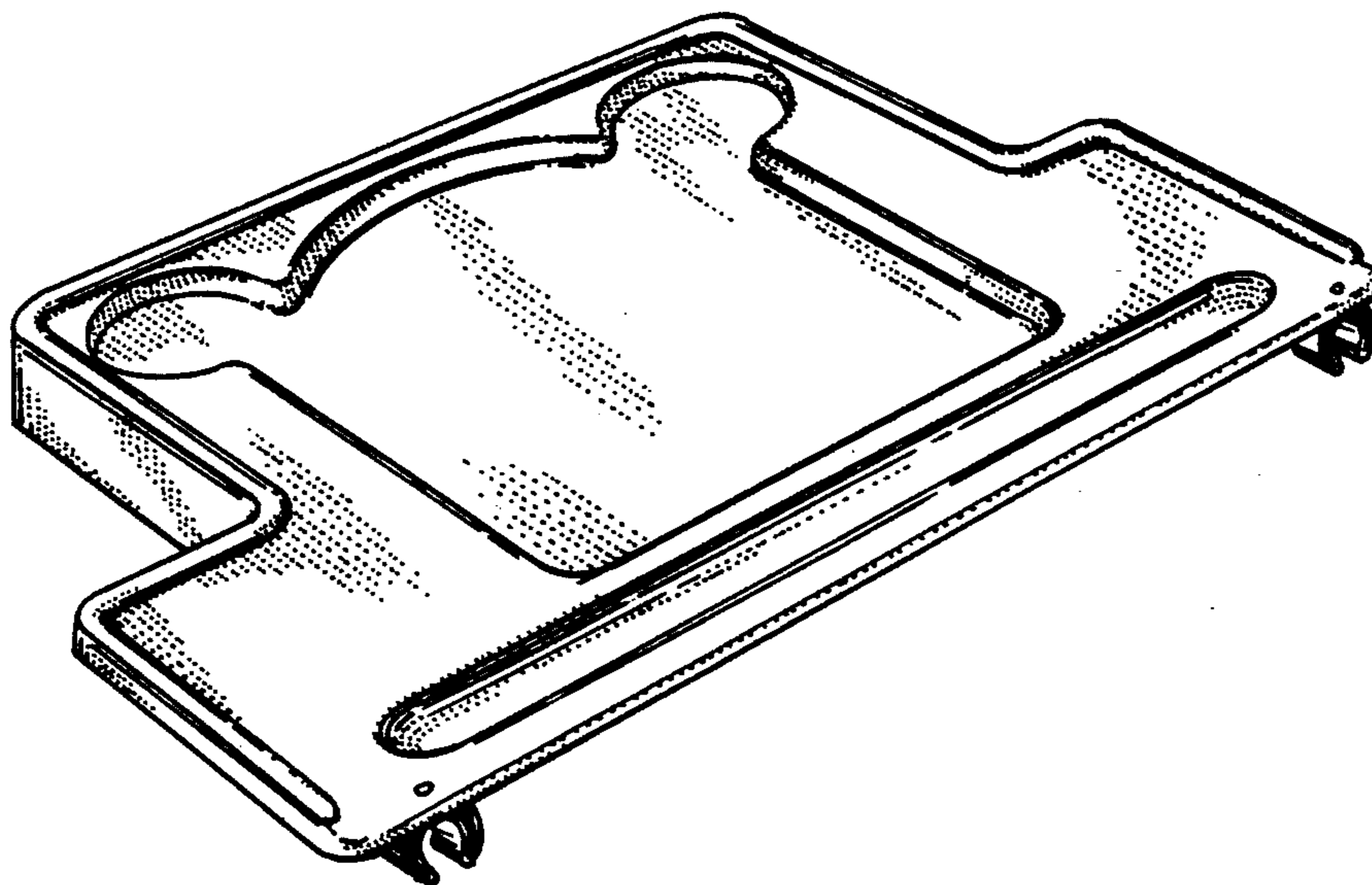
Primary Examiner—Bruce W. Dunkins
Assistant Examiner—Janice Seeger
Attorney, Agent, or Firm—Charles C. Corbin

[57] **CLAIM**

The ornamental design for an attachment tray for a walker or similar article, as shown.

DESCRIPTION

FIG. 1 is a perspective view of an attachment tray for a walker or similar article showing my new design; FIG. 2 is a top plan view thereof; FIG. 3 is a bottom plan view thereof; FIG. 4 is a front elevational view thereof; FIG. 5 is a rear elevational view thereof; FIG. 6 is a left side elevational view thereof; and FIG. 7 is a right side elevational view thereof.



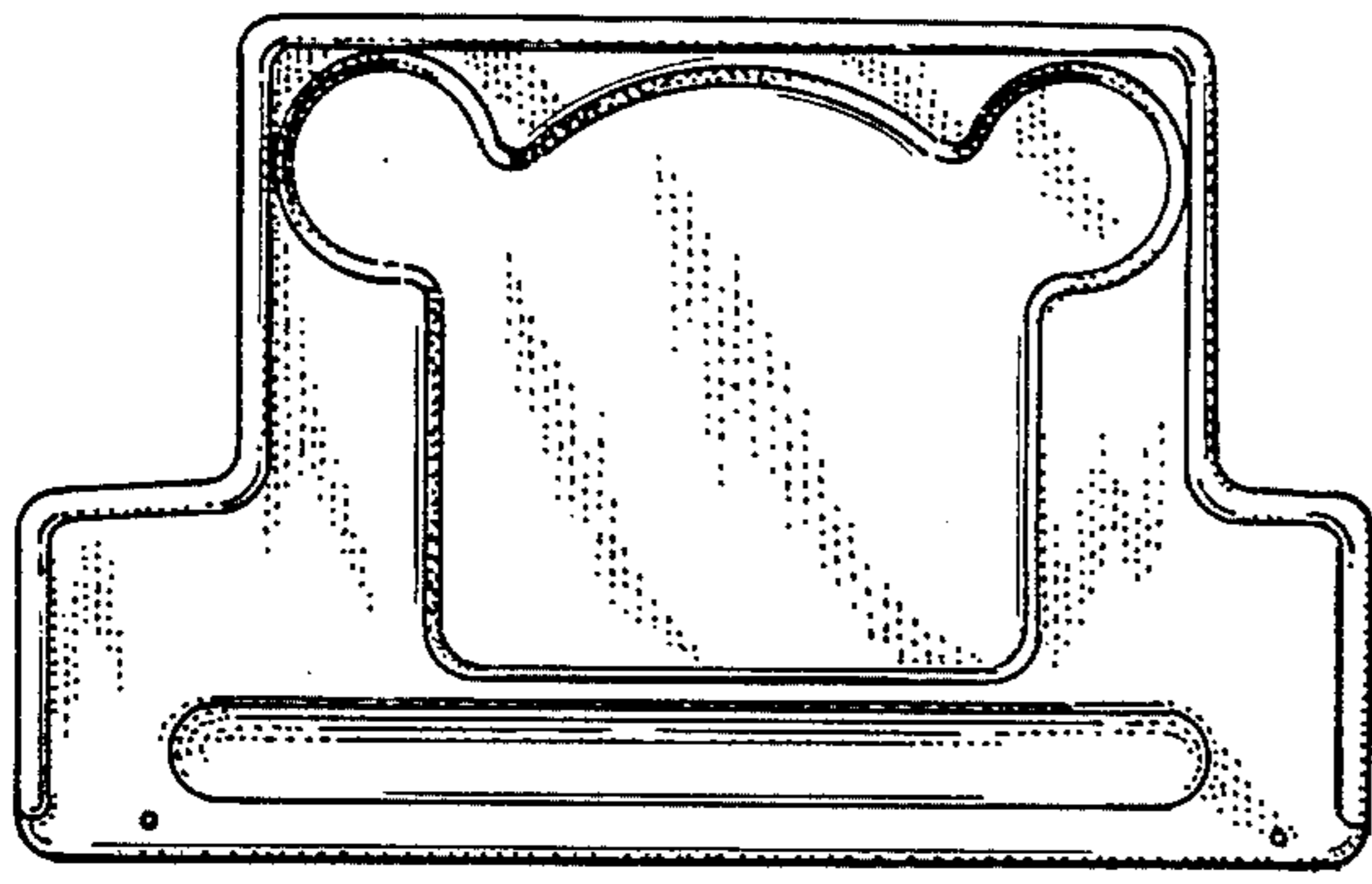


Fig. 2.

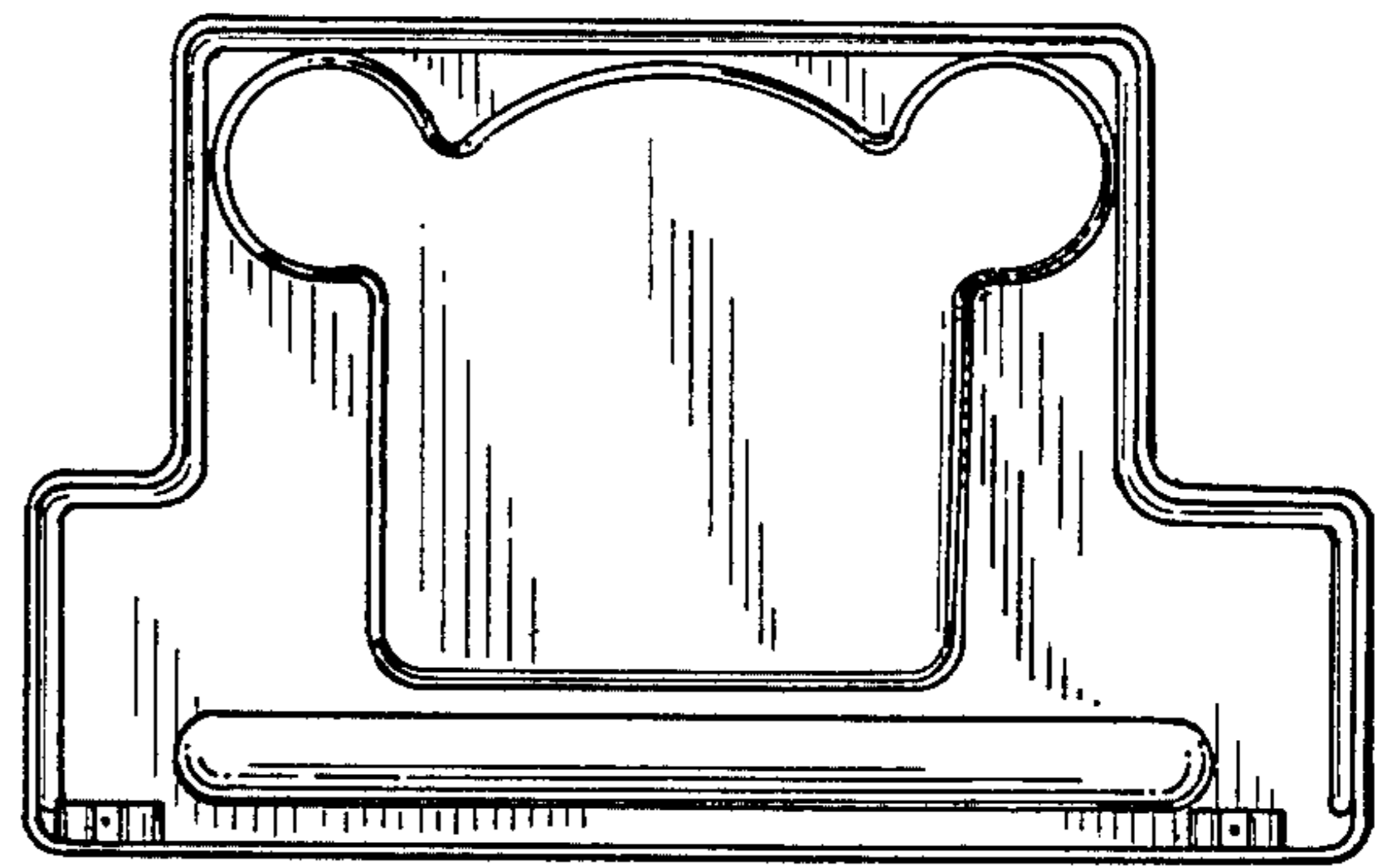


Fig. 3.

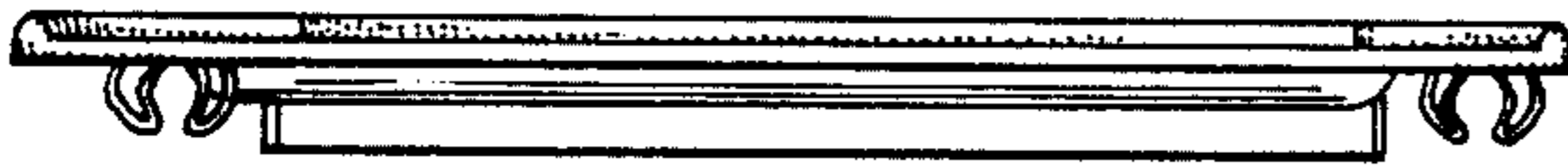


Fig. 4.

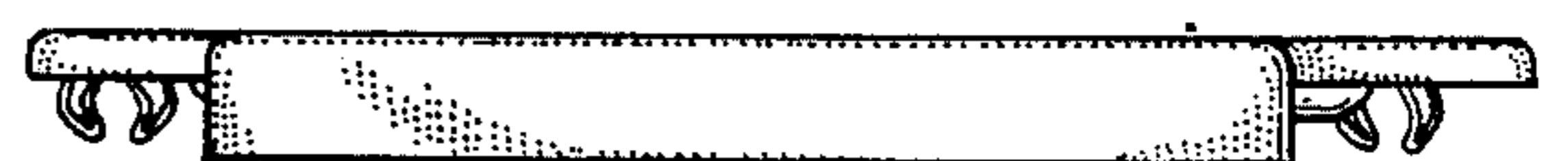


Fig. 5.



Fig. 6.



Fig. 7.

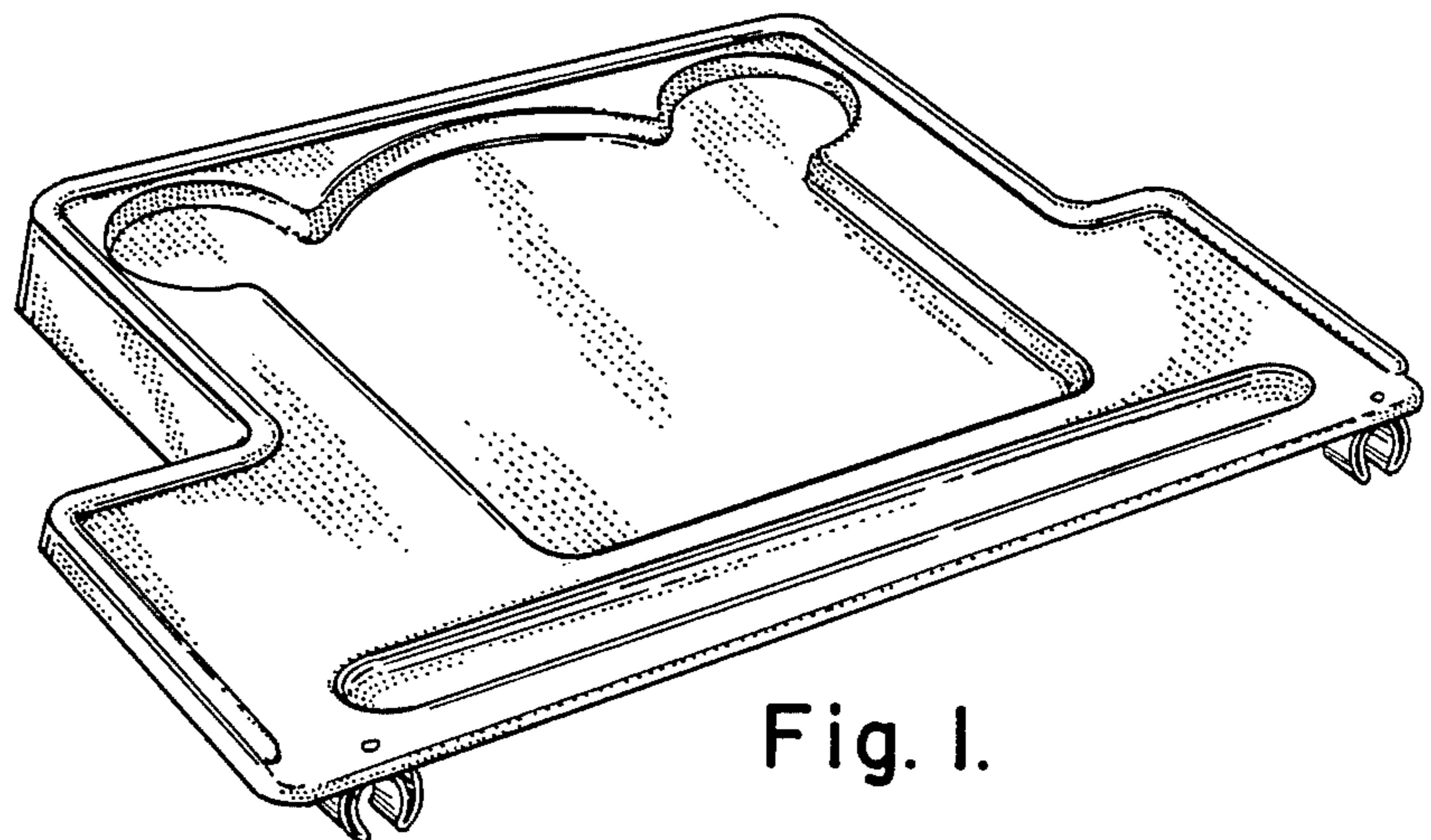


Fig. 1.