

[54] **CIRCULAR SETTEE**

[75] **Inventor: William J. Fisher, Rockland, Me.**

[73] **Assignee: Imagineering, Inc., Rockland, Me.**

[\*\*] **Term: 14 Years**

[21] **Appl. No.: 2,184**

[22] **Filed: Jan. 12, 1987**

[52] **U.S. Cl. .... D6/381; D6/357;  
D6/370**

[58] **Field of Search ..... D6/349, 370, 380, 334;  
297/232**

[56] **References Cited**

**U.S. PATENT DOCUMENTS**

D. 67,896	7/1925	Larsen .....	D6/349
D. 114,445	4/1939	Graf .....	D6/358
D. 278,955	5/1985	Syme et al. ....	D6/370
2,713,889	7/1955	White .....	297/157

*Primary Examiner*—Bruce W. Dunkins

*Assistant Examiner*—Ann Hunt

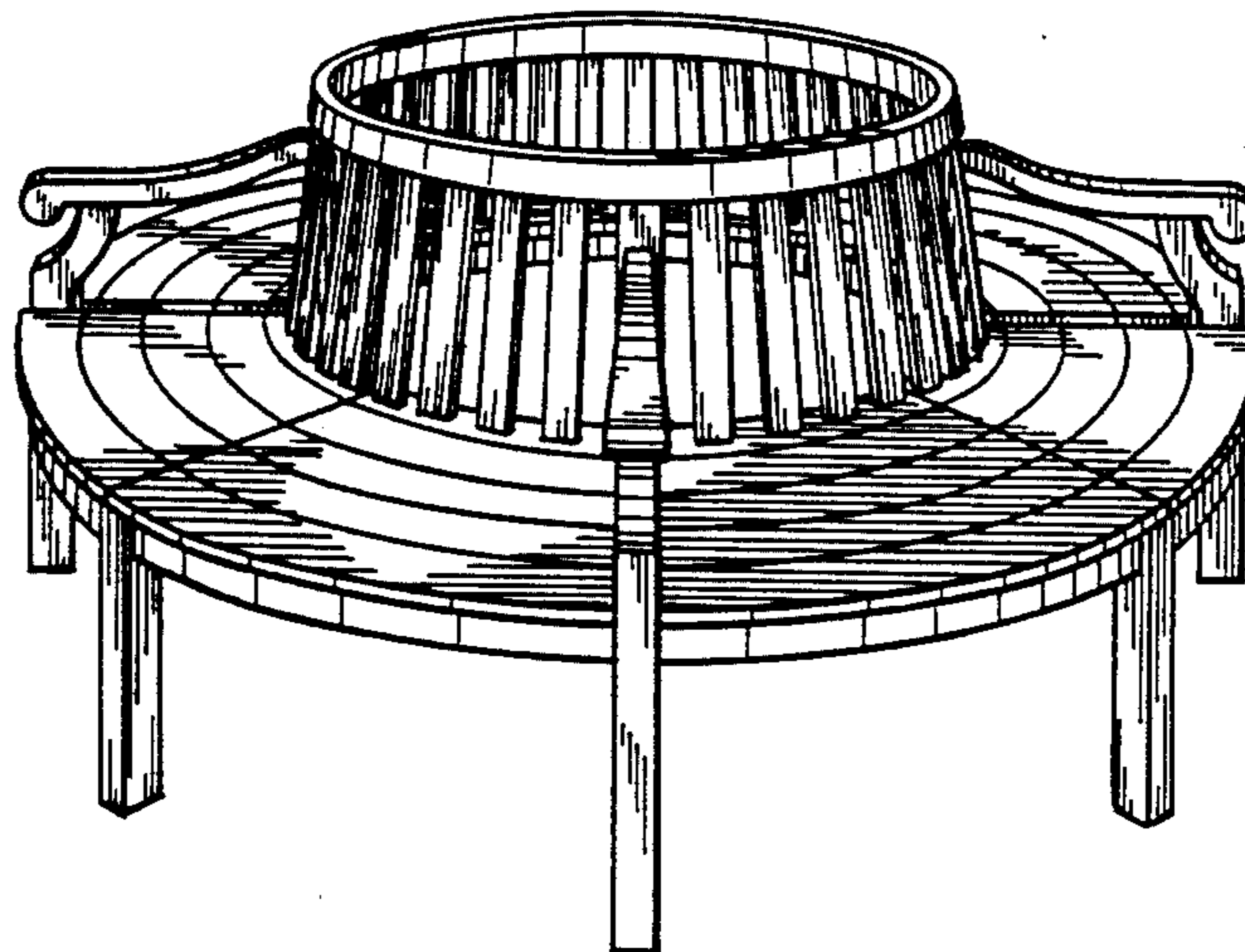
*Attorney, Agent, or Firm*—Heslin & Rothenberg

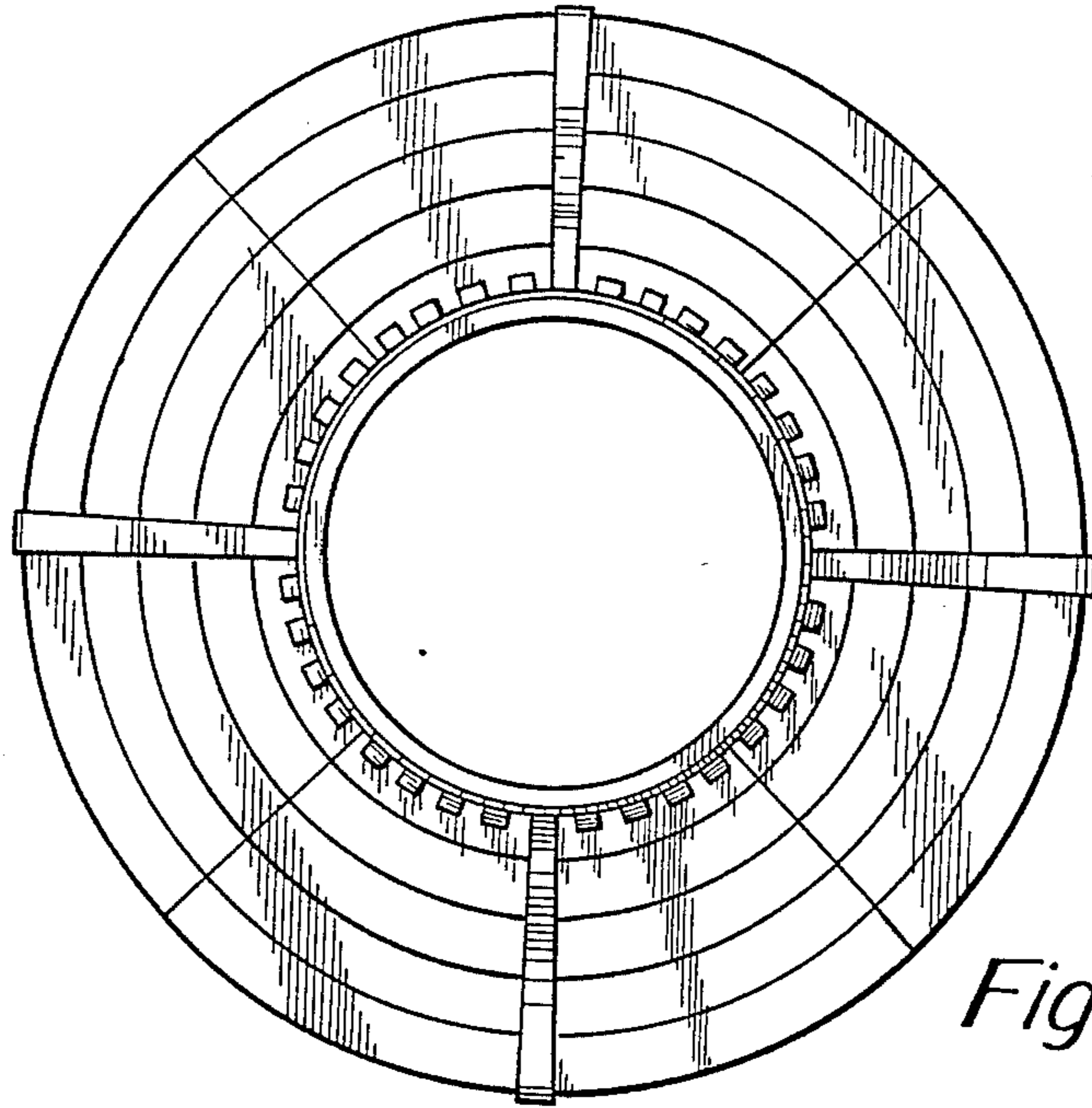
[57] **CLAIM**

The ornamental design for a circular settee, as shown and described.

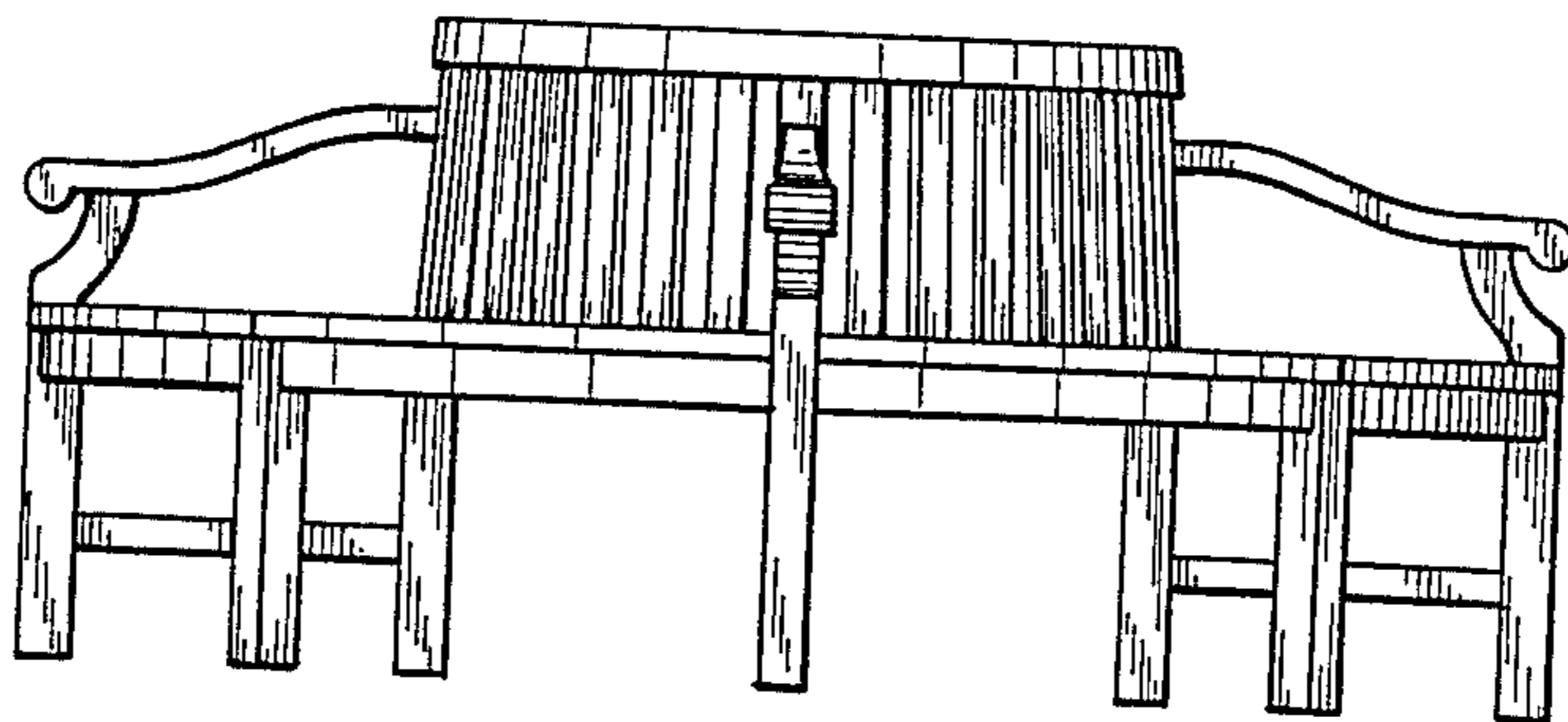
**DESCRIPTION**

FIG. 1 is a side elevational view of the circular settee showing my new design;  
FIG. 2 is a top plan view; and  
FIG. 3 is a perspective view thereof.

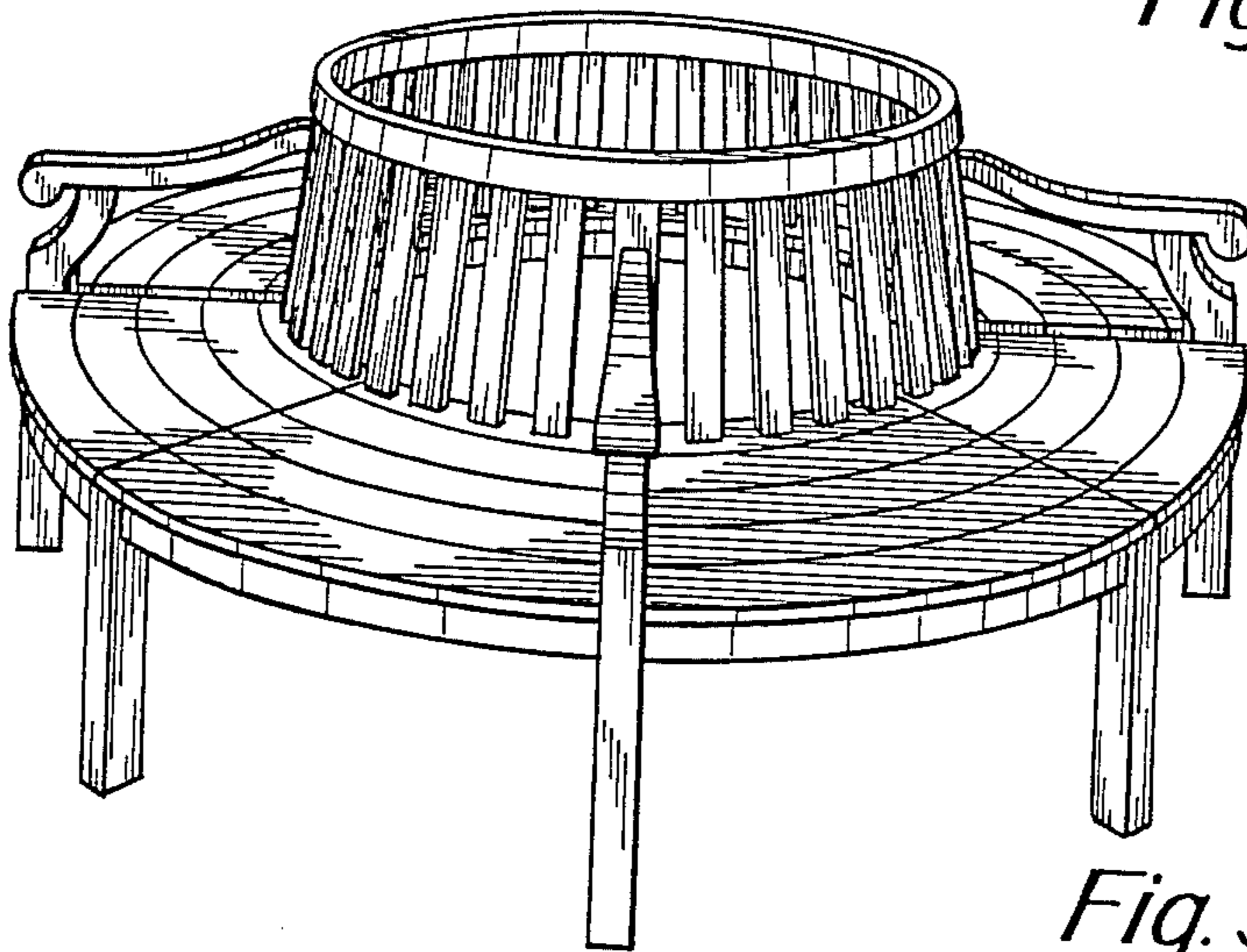




*Fig. 2*



*Fig. 1*



*Fig. 3*