

# United States Patent [19]

Gusty

[11] Patent Number: **Des. 309,680**

[45] Date of Patent: **\*\* Aug. 7, 1990**

[54] **FOOTSTOOL**

[76] Inventor: **Charles B. Gusty**, 9964 Seminole,  
Redford, Mich. 48239

[\*\*] Term: **14 Years**

[21] Appl. No.: **929,654**

[22] Filed: **Nov. 10, 1986**

[52] U.S. Cl. .... **D6/349; D6/363**

[58] Field of Search ..... **D6/349, 489, 334;**  
4/254

[56] **References Cited**

### U.S. PATENT DOCUMENTS

D. 293,286 12/1987 Alfer ..... D6/334

D. 297,789 9/1988 Stepien ..... D6/349  
2,023,901 12/1935 Rhodes ..... 4/254  
2,834,028 5/1958 Stanley ..... 4/254

*Primary Examiner*—Bruce W. Dunkins

*Assistant Examiner*—Ann Hunt

[57] **CLAIM**

The ornamental design for a footstool, as shown.

### DESCRIPTION

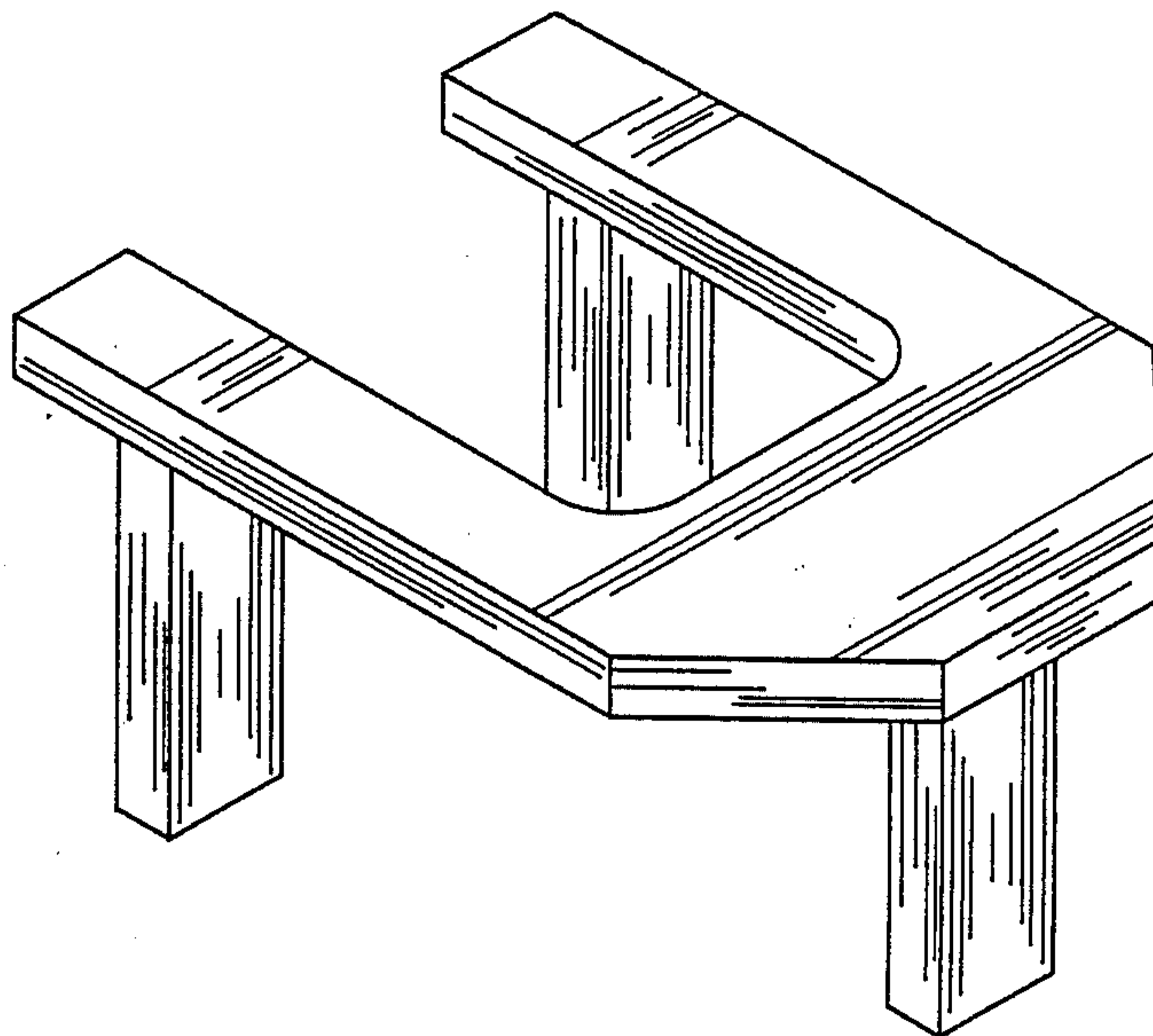
FIG. 1 is a top plan view of the footstool showing my new design;

FIG. 2 is a bottom plan view;

FIG. 3 is a front end elevation view; and

FIG. 4 is a rear elevational view thereof;

FIG. 5 is a front perspective view thereof.



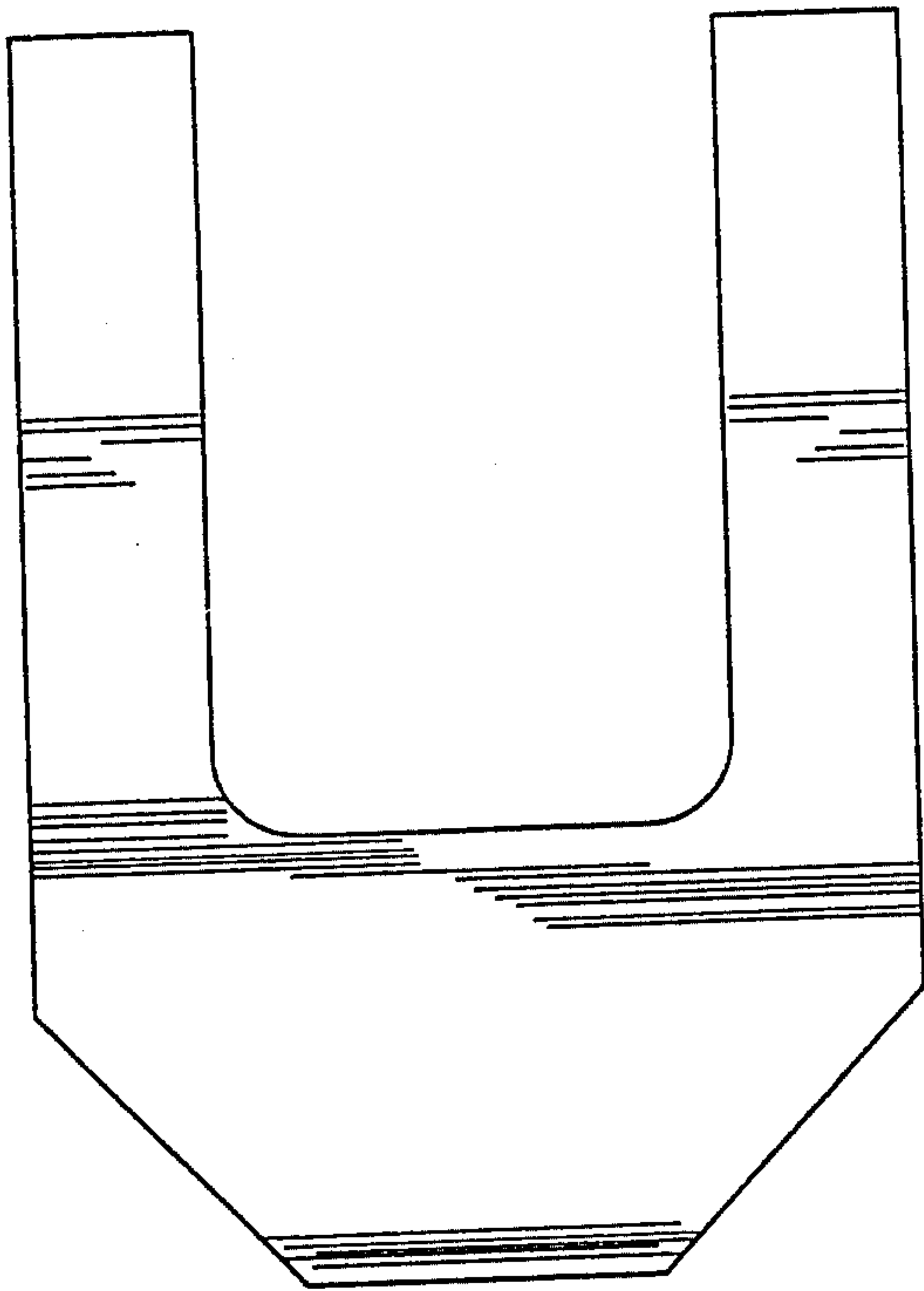


FIG. 1

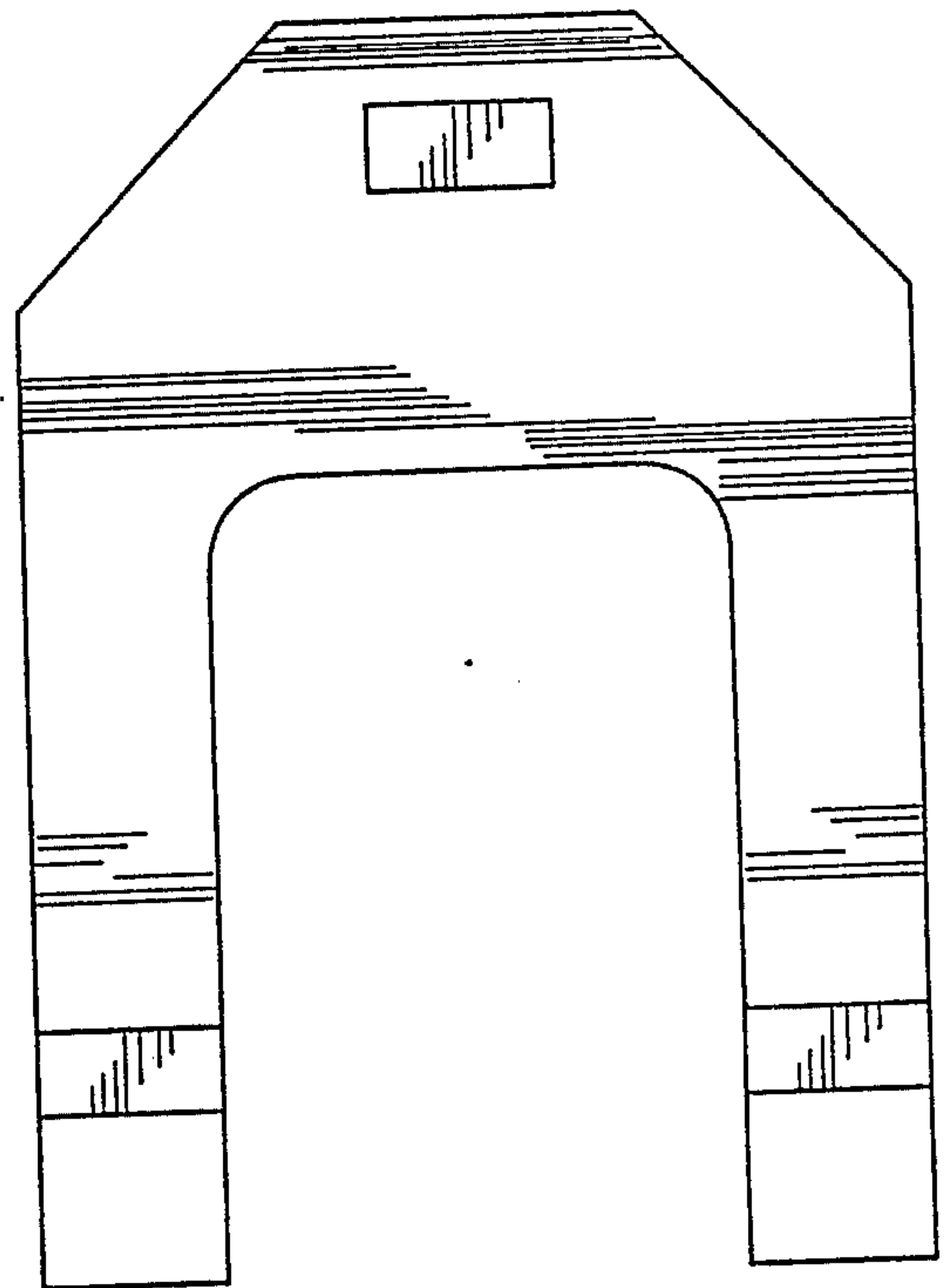


FIG. 2

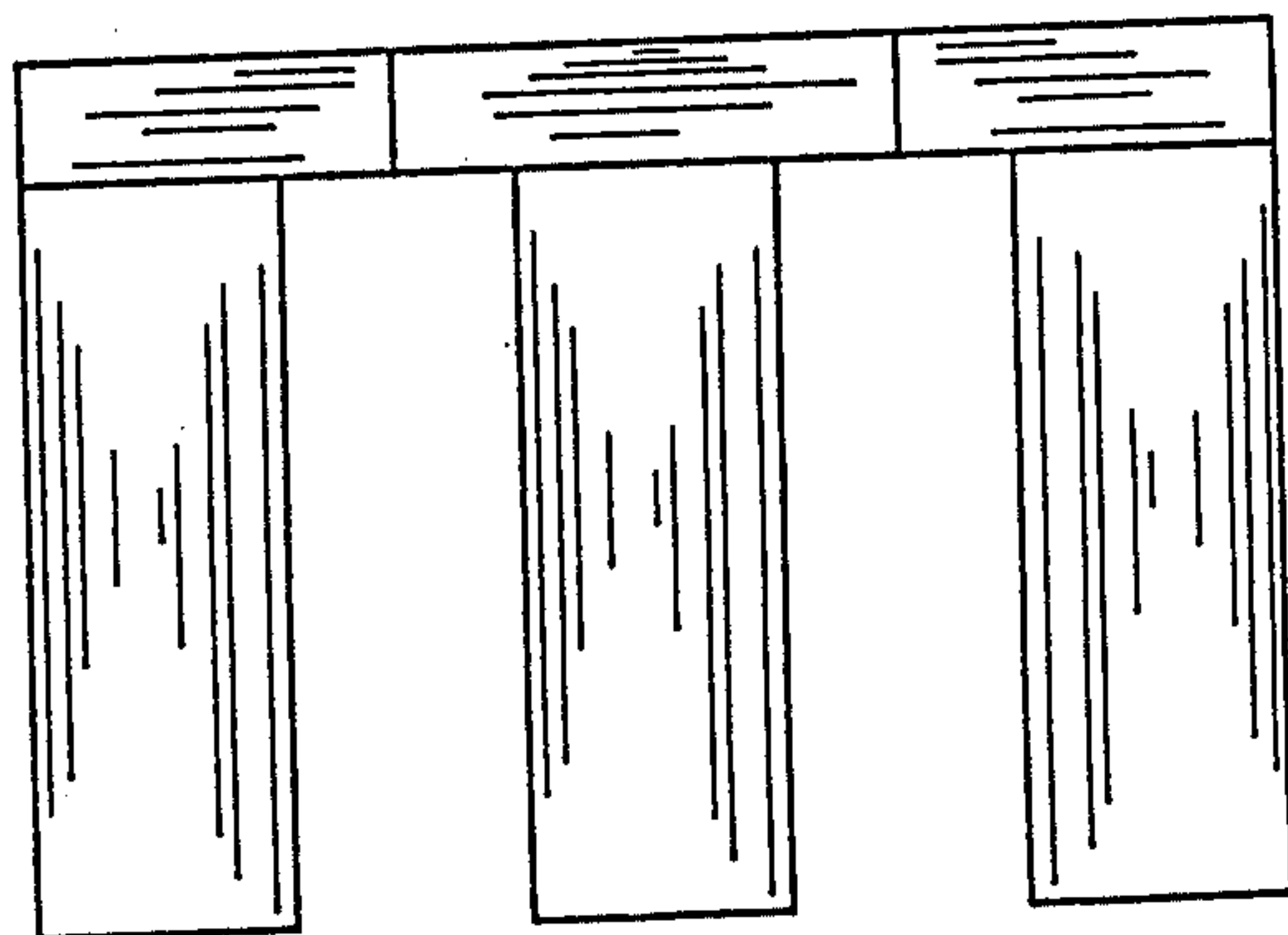


FIG. 3

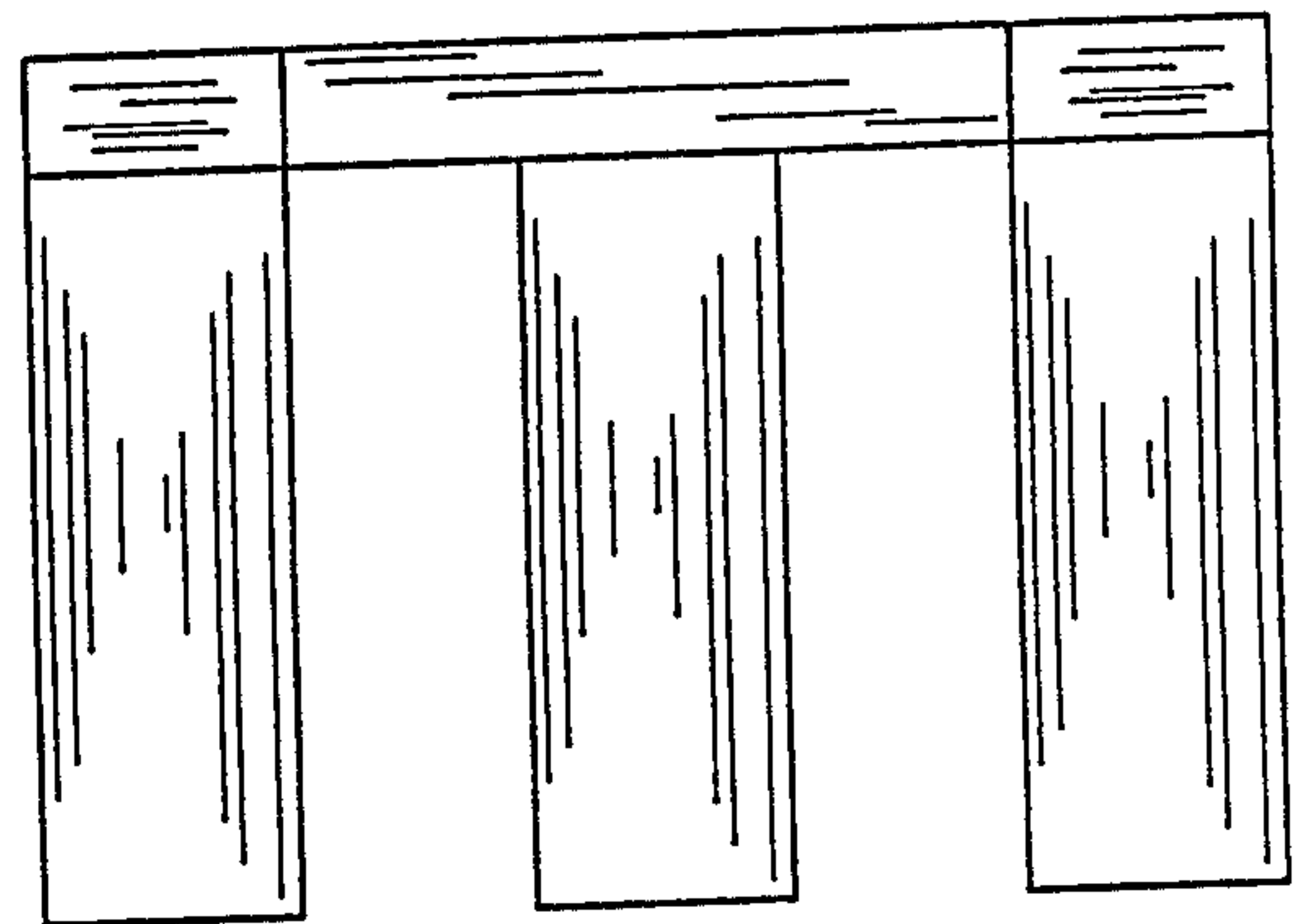


FIG. 4

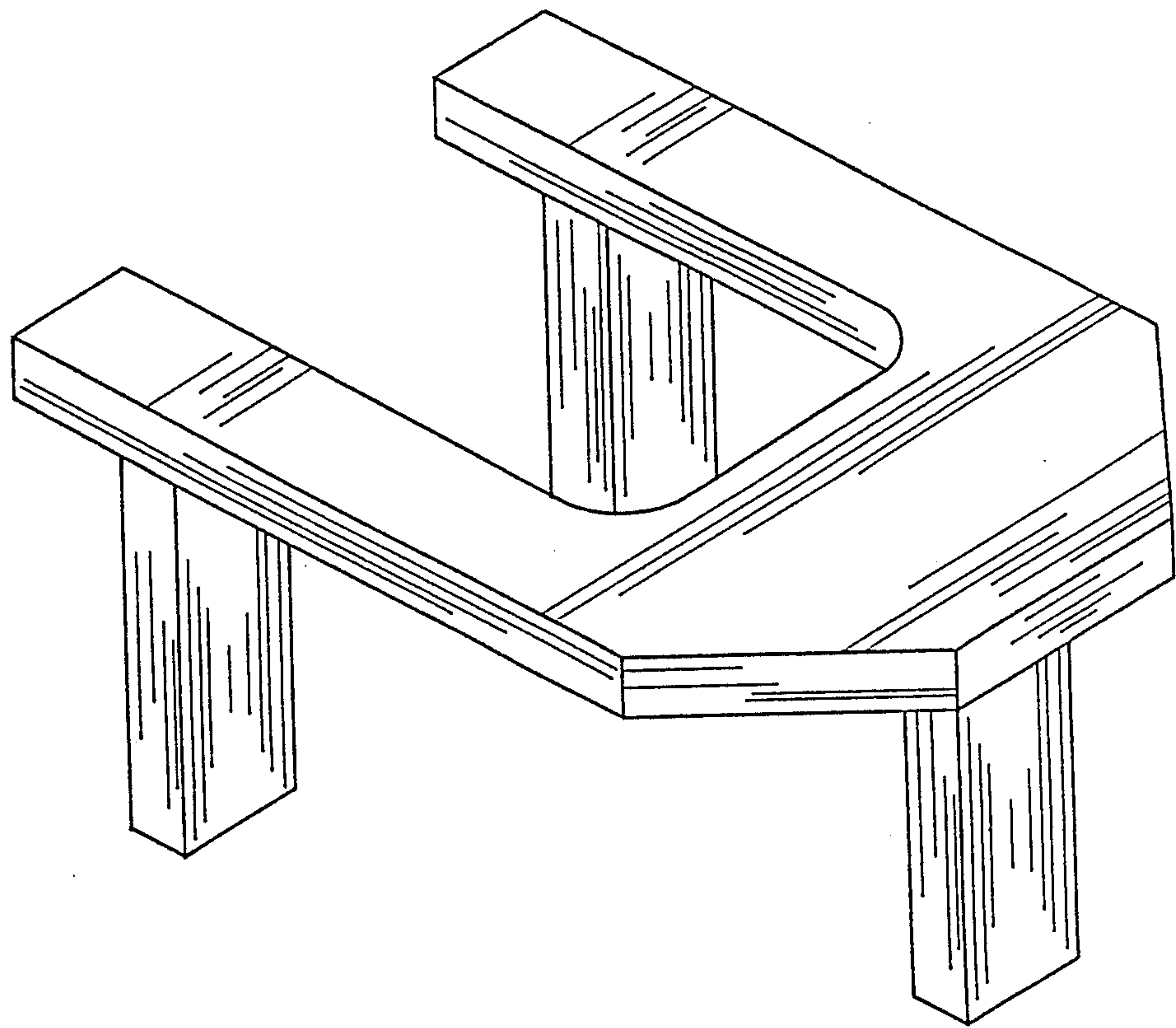


FIG. 5