

United States Patent [19]

Kolpin

[11] Patent Number: **Des. 309,675**

[45] Date of Patent: **** Aug. 7, 1990**

[54] **HARD COVER GUN CASE**

[75] Inventor: **Ronald N. Kolpin, Berlin, Wis.**

[73] Assignee: **Kolpin Manufacturing, Inc., Berlin, Wis.**

[**] Term: **14 Years**

[21] Appl. No.: **198,317**

[22] Filed: **May 24, 1988**

[52] U.S. Cl. **D3/30.1**

[58] Field of Search 224/913; 42/100, 101;
33/245, 246; 312/35, 234, DIG. 33; D22/100;
206/315.11, 317; D3/30.1, 38; D21/145; 220/8;
150/154

[56] **References Cited**

U.S. PATENT DOCUMENTS

D. 214,711	7/1969	Sweet	D3/38
D. 217,998	7/1970	Belokin	D3/38
D. 217,999	7/1970	Belokin	D3/38
D. 262,416	12/1981	Bianchi	D3/38

D. 278,189	4/1985	Frydenberg	D3/38
2,913,030	11/1959	Fisher	206/315.11
3,138,306	6/1964	Bare	206/315.11
3,744,687	7/1973	Oreck	220/8
3,865,166	2/1975	Pedro	D3/38

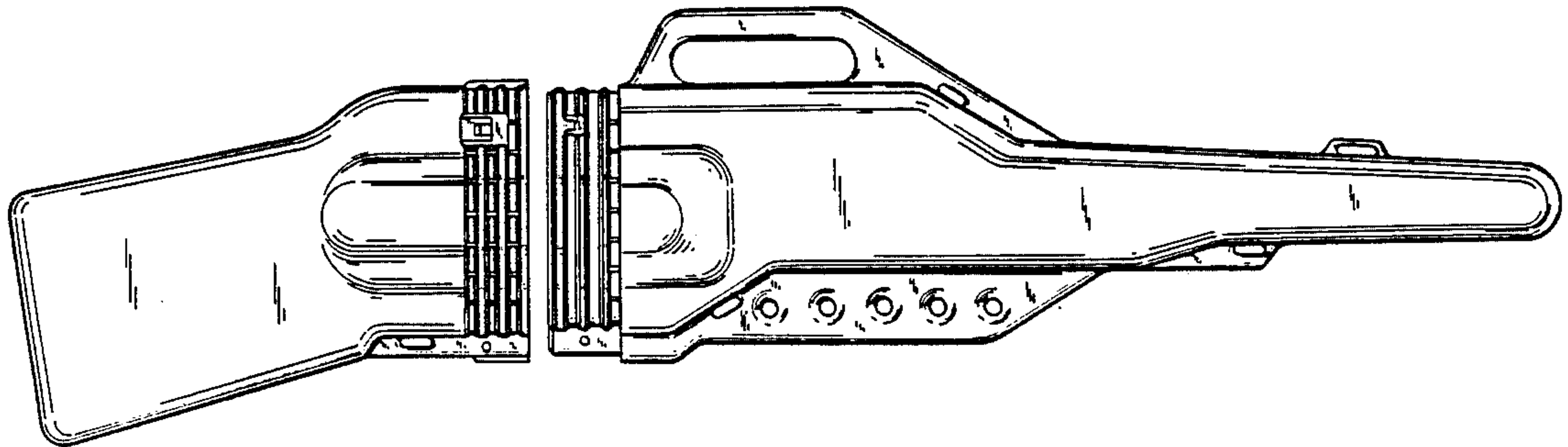
Primary Examiner—James R. Largen
Assistant Examiner—Cathy Anne MacCormac
Attorney, Agent, or Firm—Nilles & Nilles

[57] **CLAIM**

The ornamental design for hard cover gun case, as shown and described.

DESCRIPTION

FIG. 1 is a right side elevational view of a hard cover gun case showing my new design;
FIG. 2 is a left side elevational view thereof;
FIG. 3 is a bottom plan view thereof;
FIG. 4 is a top plan view thereof;
FIG. 5 is a rear elevational view thereof;
FIG. 6 is a front elevational view thereof; and
FIG. 7 is another right side elevational view showing the gun case open.



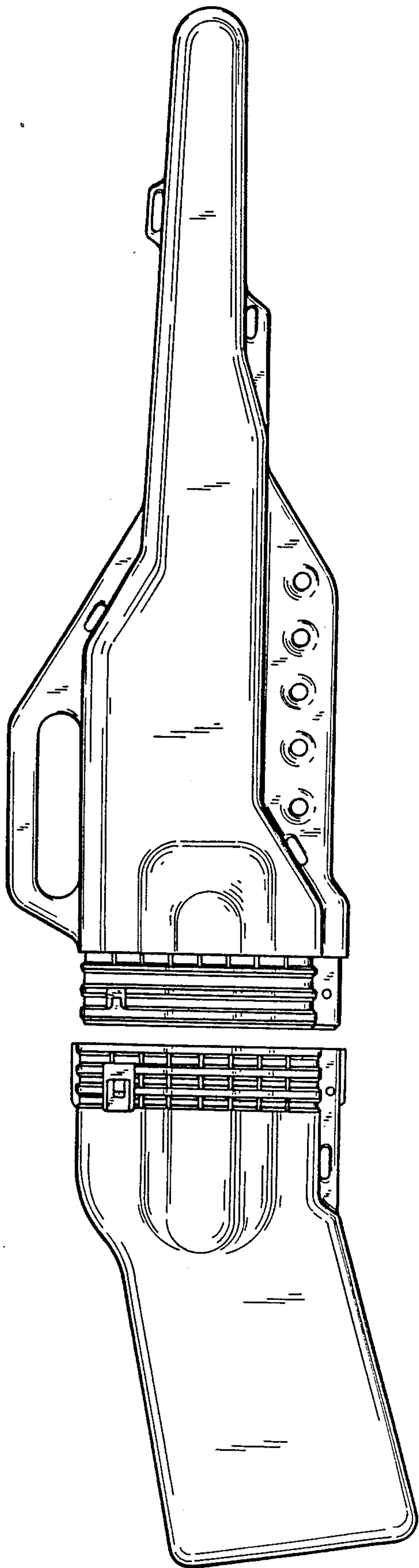


FIG. 7

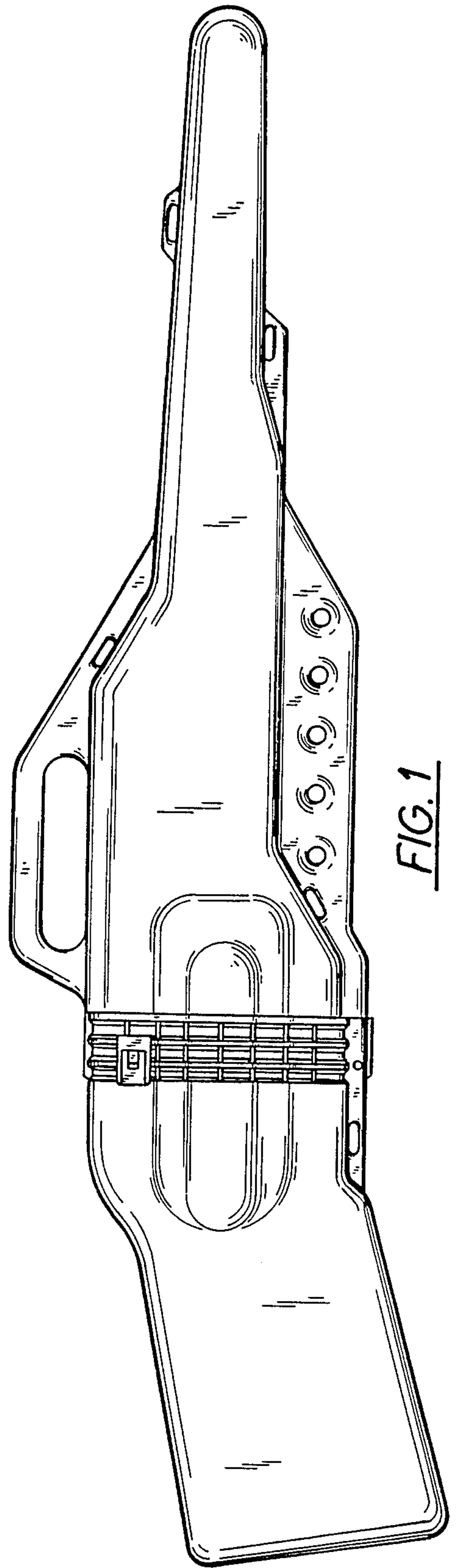


FIG. 1

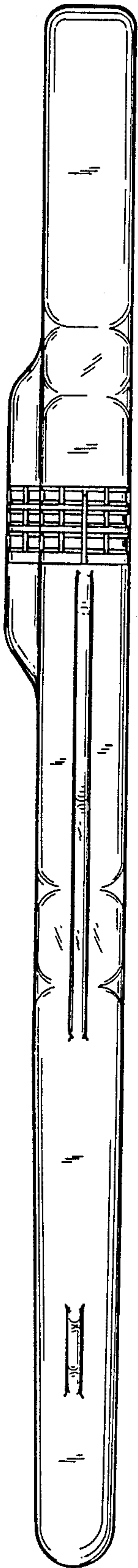


FIG. 4

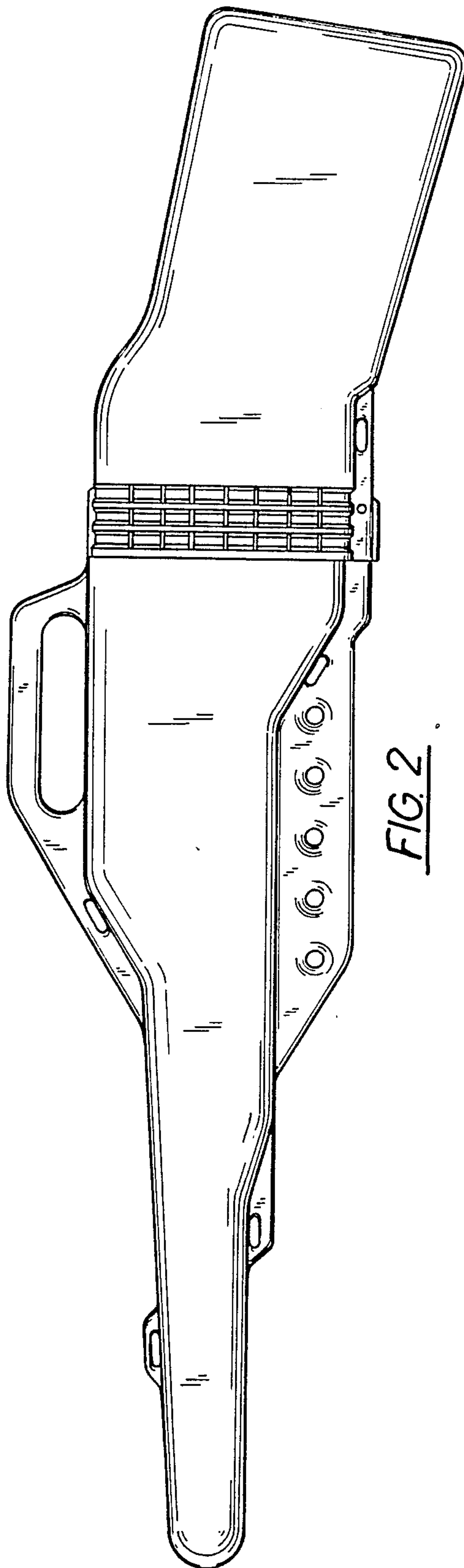


FIG. 2

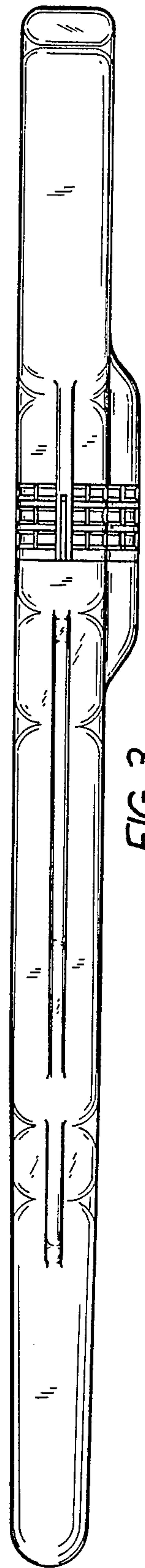


FIG. 3

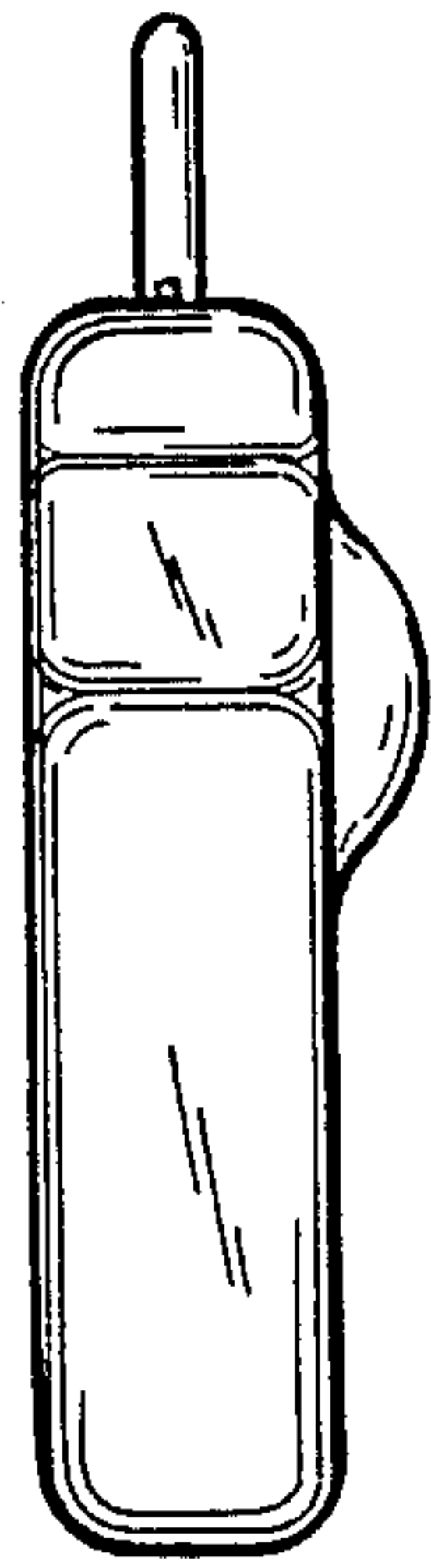


FIG. 5

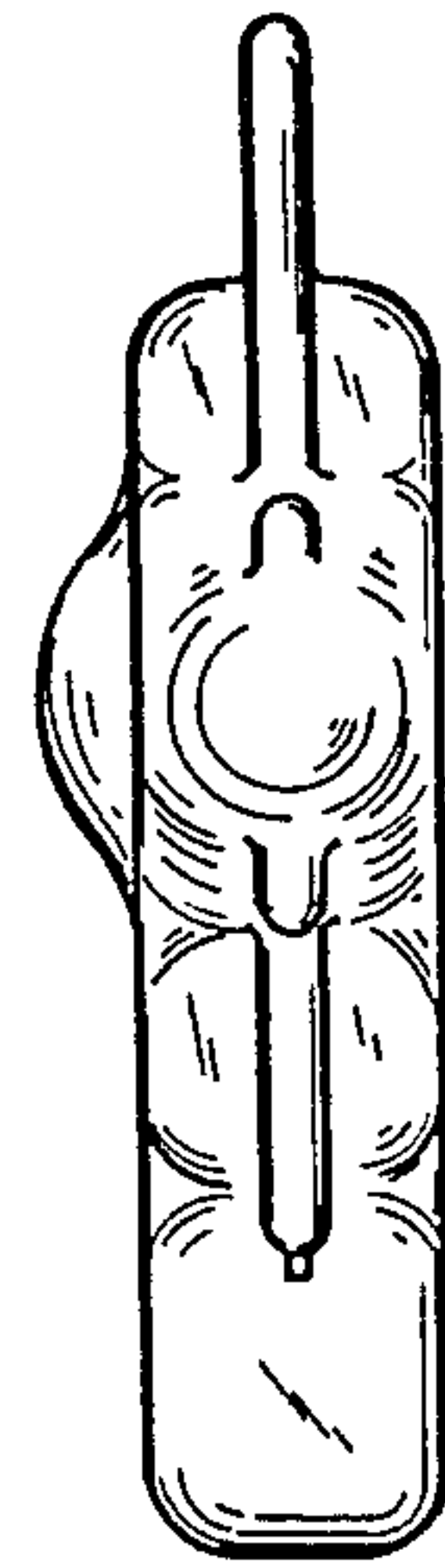


FIG. 6