

[54] **MEDICATION INFUSION PUMP**

[75] **Inventor: Lanny A. Gorton, Sunland, Calif.**

[73] **Assignee: Pacesetter Infusion, Ltd., Sylmar, Calif.**

[**] **Term: 14 Years**

[21] **Appl. No.: 128,533**

[22] **Filed: Dec. 1, 1987**

[52] **U.S. Cl. D24/51**

[58] **Field of Search D24/8, 51; 604/34, 65-67, 604/151-155, 246, 250, 258; 128/DIG. 12, DIG. 13; 417/474, 476-478, 360**

[56] **References Cited**

U.S. PATENT DOCUMENTS

D. 268,206 3/1983 Kosako D24/8

D. 282,002 12/1985 Manno et al. D24/8
4,601,702 7/1986 Hudson 604/246
4,722,734 2/1988 Kolln 604/246 X

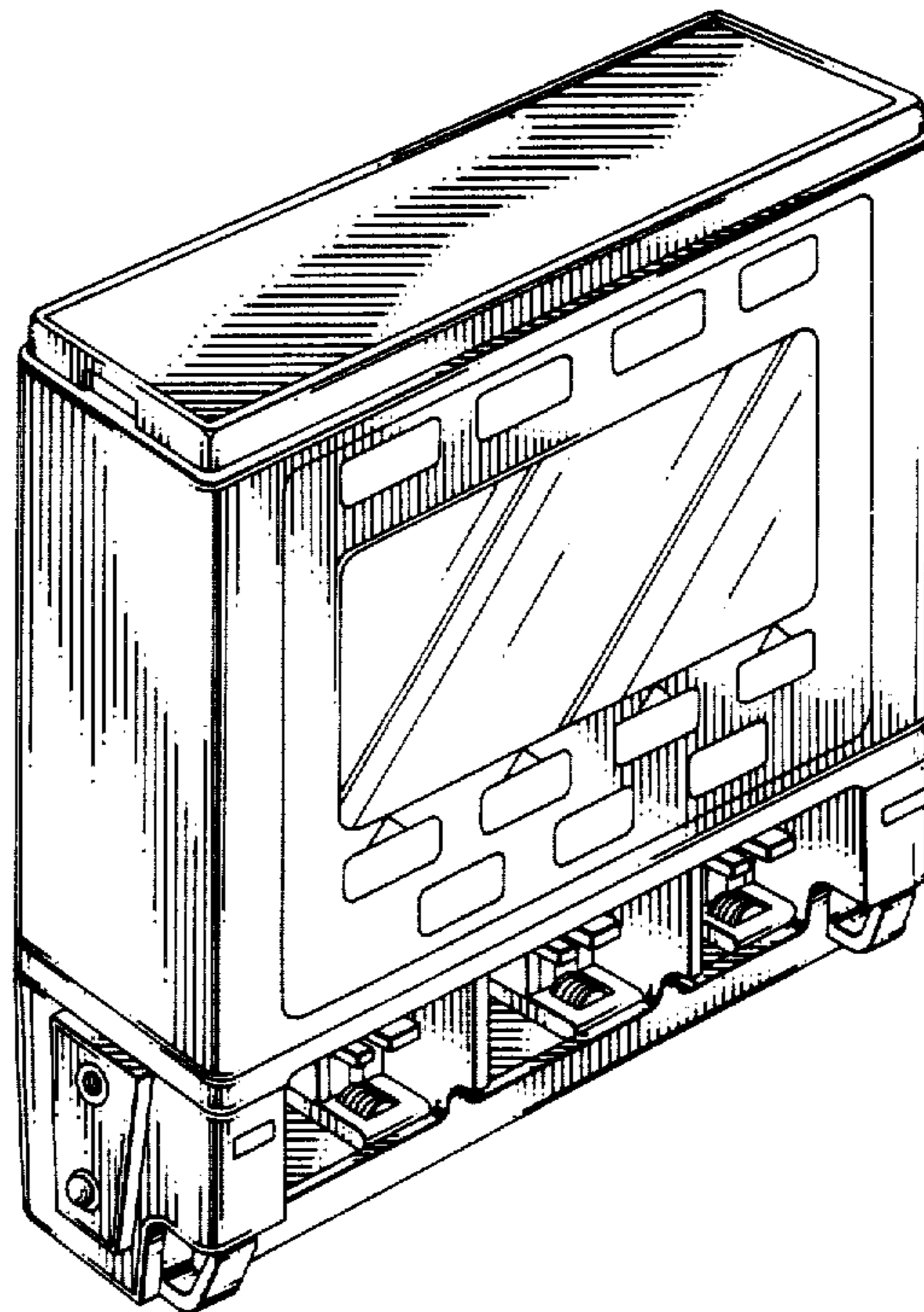
Primary Examiner—A. Hugo Word
Assistant Examiner—Stella M. Reid
Attorney, Agent, or Firm—Leslie S. Miller

[57] **CLAIM**

The ornamental design for a medication infusion pump, as shown.

DESCRIPTION

FIG. 1 is a perspective view of a medication infusion pump, showing my new design;
FIG. 2 is a right side elevational view thereof;
FIG. 3 is a bottom plan view thereof;
FIG. 4 is a top plan view thereof, broken away for ease of illustration; and
FIG. 5 is a rear elevational view thereof.



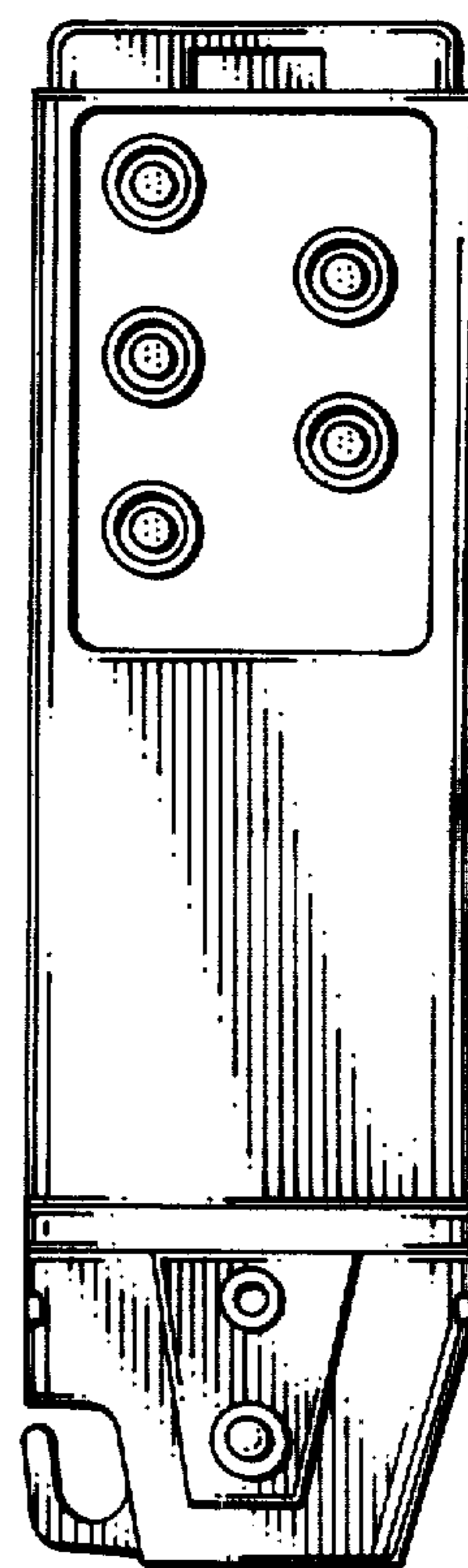
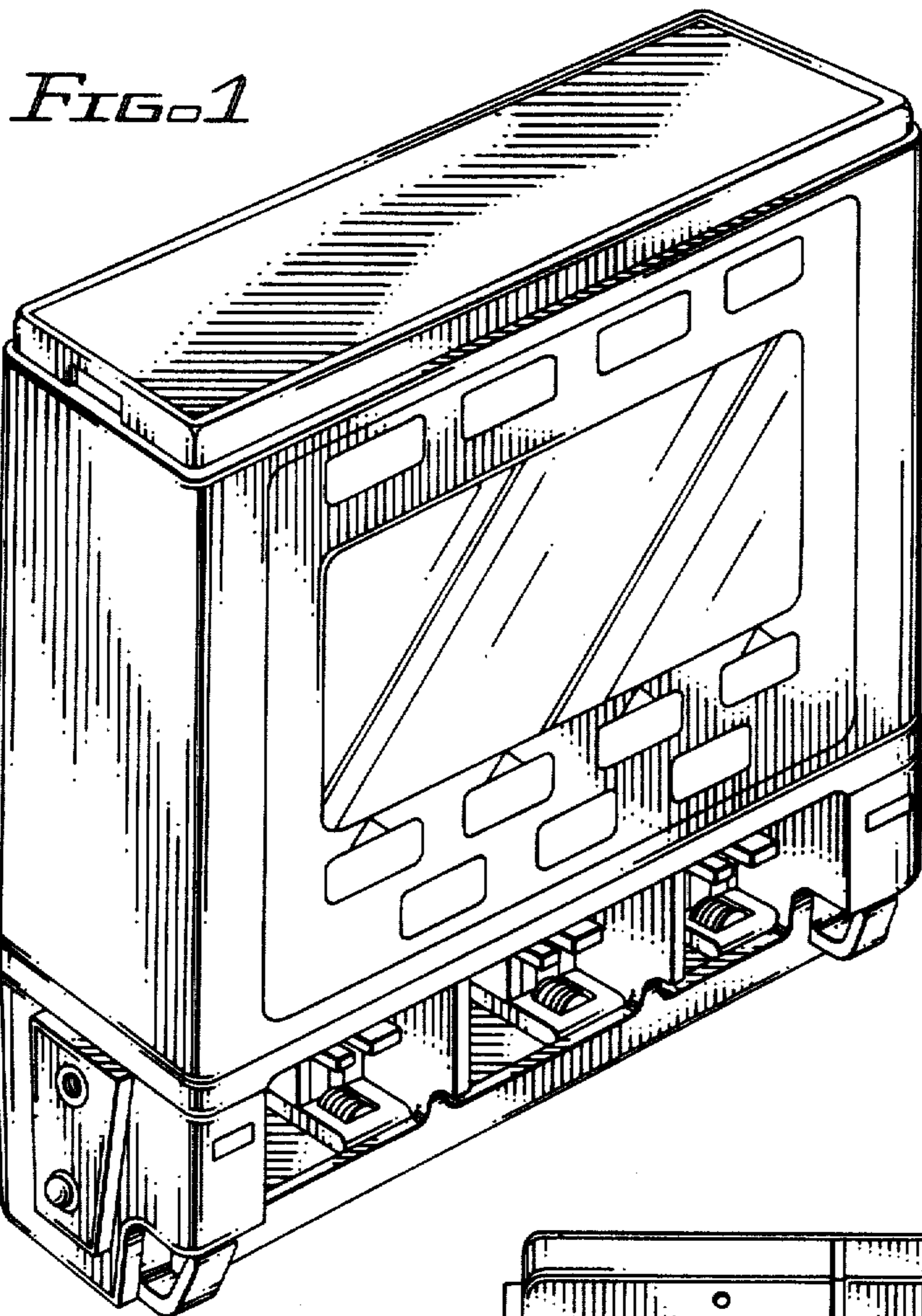


FIG. 2

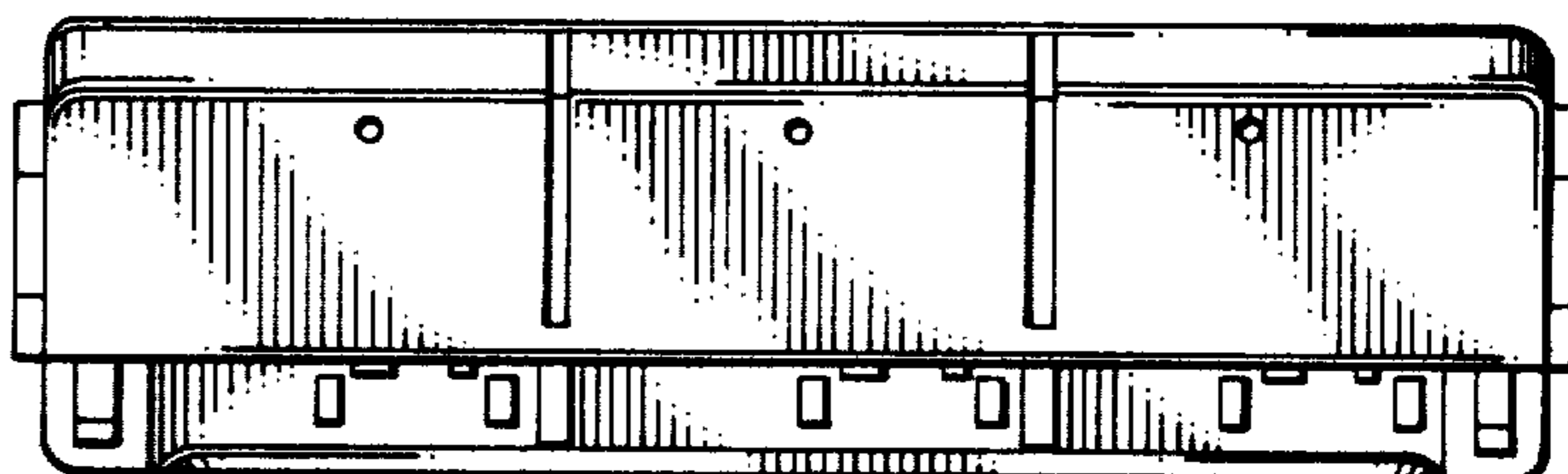


FIG. 3

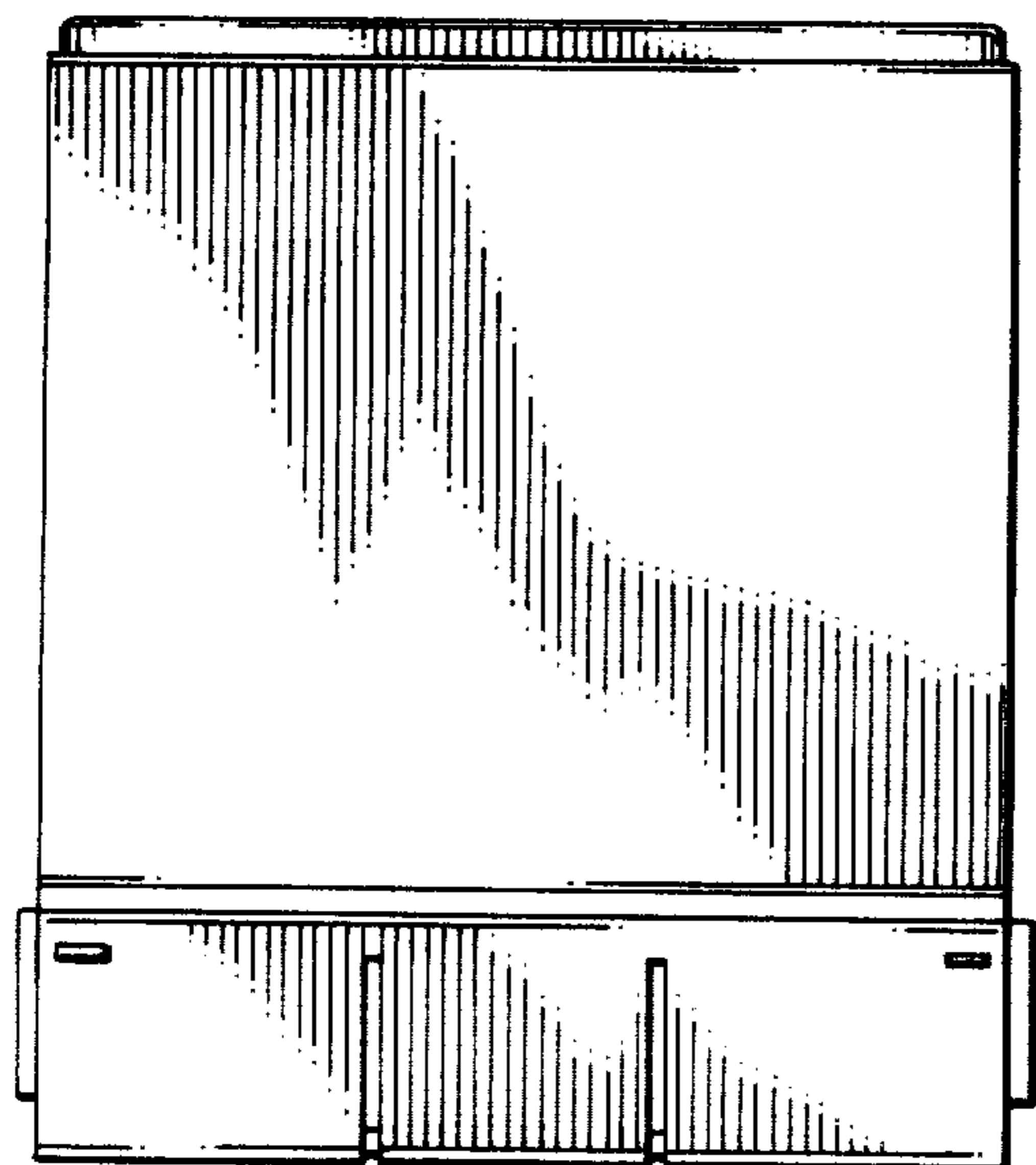


FIG. 5

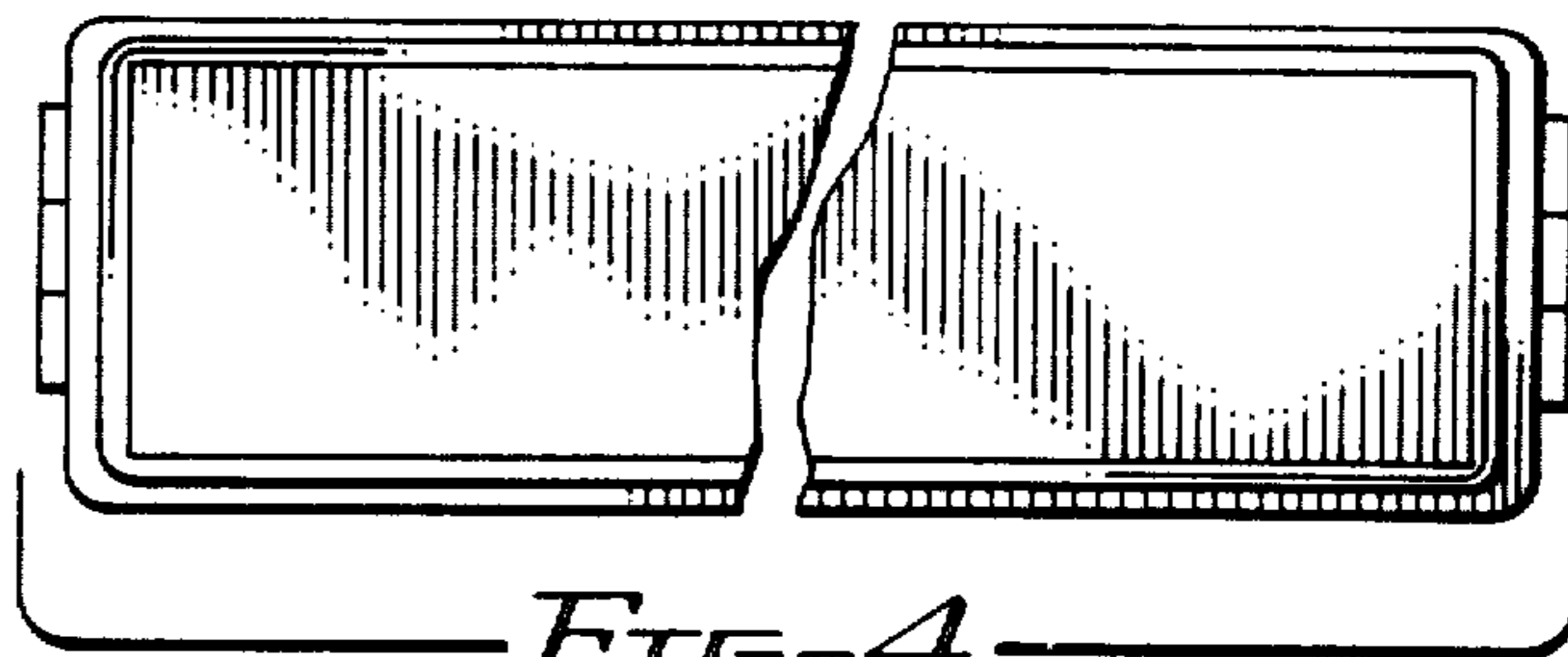


FIG. 4

UNITED STATES PATENT AND TRADEMARK OFFICE
CERTIFICATE OF CORRECTION

PATENT NO. : Des. 309,662
DATED : July 31, 1990
INVENTOR(S) : Lanny A. Gorton

It is certified that error appears in the above-identified patent and that said Letters Patent is hereby corrected as shown below:

On The Title Page:

[73] should read --Pacesetter Infusion, Ltd.--.

Signed and Sealed this
Twentieth Day of September, 1994

Attest:



Attesting Officer

BRUCE LEHMAN

Commissioner of Patents and Trademarks