

[54] COMBINED LAMP AND MAGNIFIER

[75] Inventor: Haim Shwisha, Westport, Conn.

[73] Assignee: Electrix, Inc., New Haven, Conn.

[**] Term: 14 Years

[21] Appl. No.: 10,147

[22] Filed: Feb. 2, 1987

[52] U.S. Cl. D26/51; D16/135; D26/61

[58] Field of Search D26/60-66, D26/51; 362/269, 275, 287, 418, 419, 427, 428, 396; D16/135; 350/235, 245, 236, 246, 237, 247

[56] References Cited

U.S. PATENT DOCUMENTS

D. 275,037	8/1984	Saferstein et al.	D16/135	X
D. 276,940	12/1984	Andersson	D26/65	X
D. 286,082	10/1986	Shwisha	D26/61	
2,377,056	5/1945	Tontrup	350/235	
4,380,790	4/1983	Saferstein et al.	D26/65	X

Primary Examiner—Susan J. Lucas
Attorney, Agent, or Firm—Bachman & LaPointe

[57] CLAIM

The ornamental design of a combined lamp and magnifier, as shown and described.

DESCRIPTION

FIG. 1 is a top, rear, right side perspective view of a combined lamp and magnifier showing my new design, the support and mounting surface being shown in broken lines for illustrative purposes only;

FIG. 2 is a left side elevational view thereof on an enlarged scale;

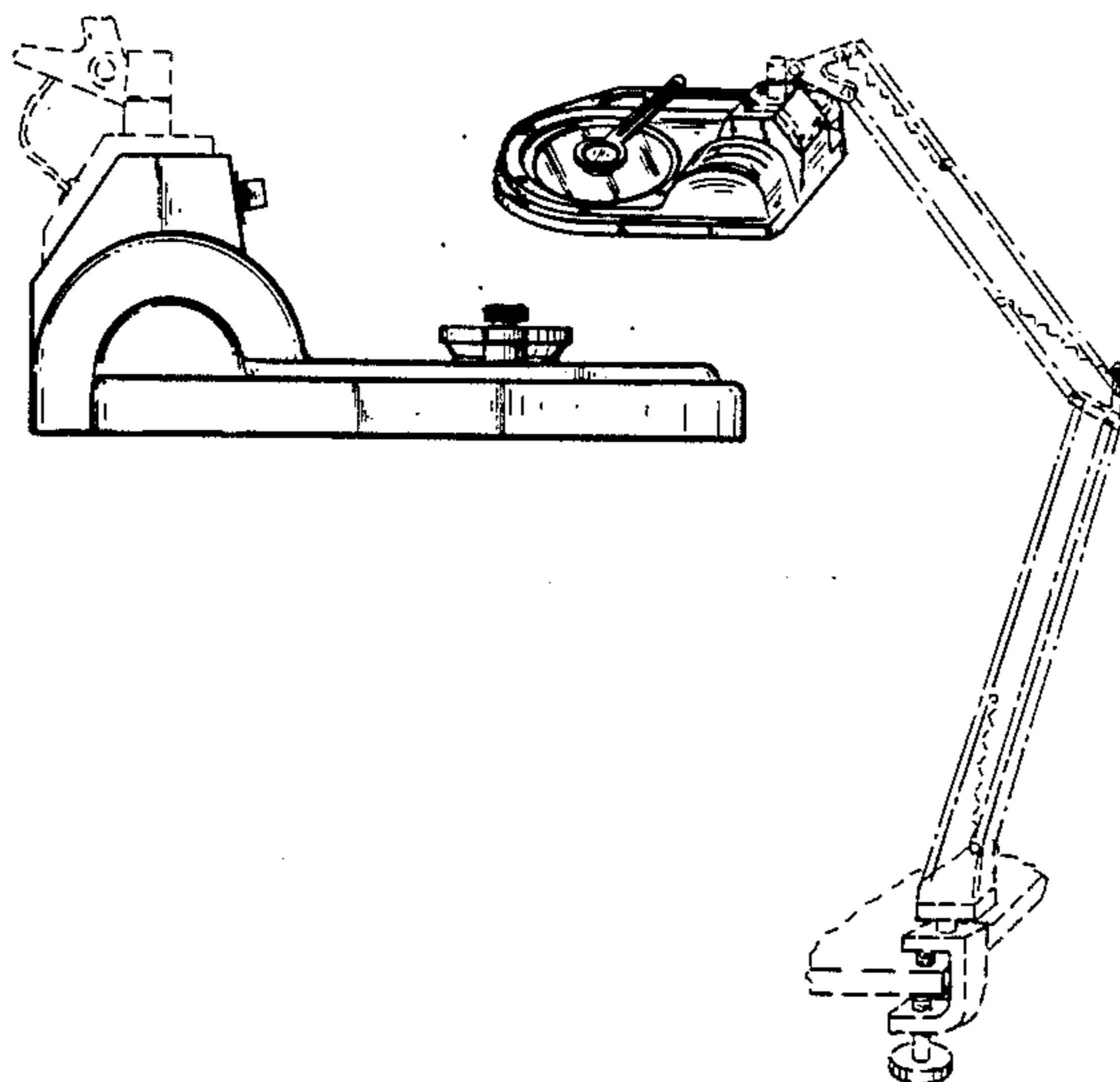
FIG. 3 is a front elevational view thereof on an enlarged scale;

FIG. 4 is a rear elevational view thereof on an enlarged scale;

FIG. 5 is a top plan view thereof on an enlarged scale;

FIG. 6 is a right side elevational view thereof on an enlarged scale; and

FIG. 7 is a bottom plan view thereof on an enlarged scale.



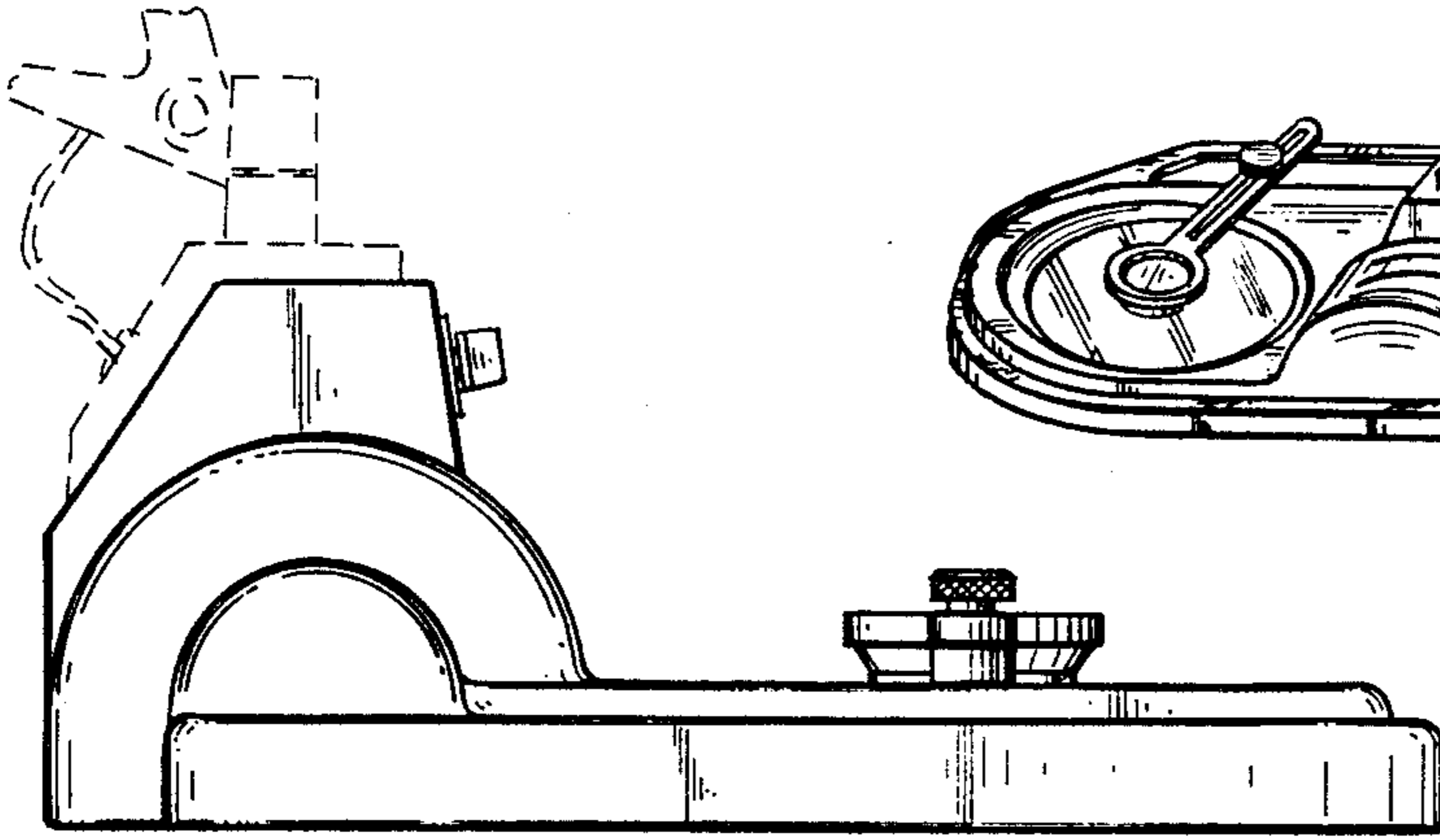


FIG-2

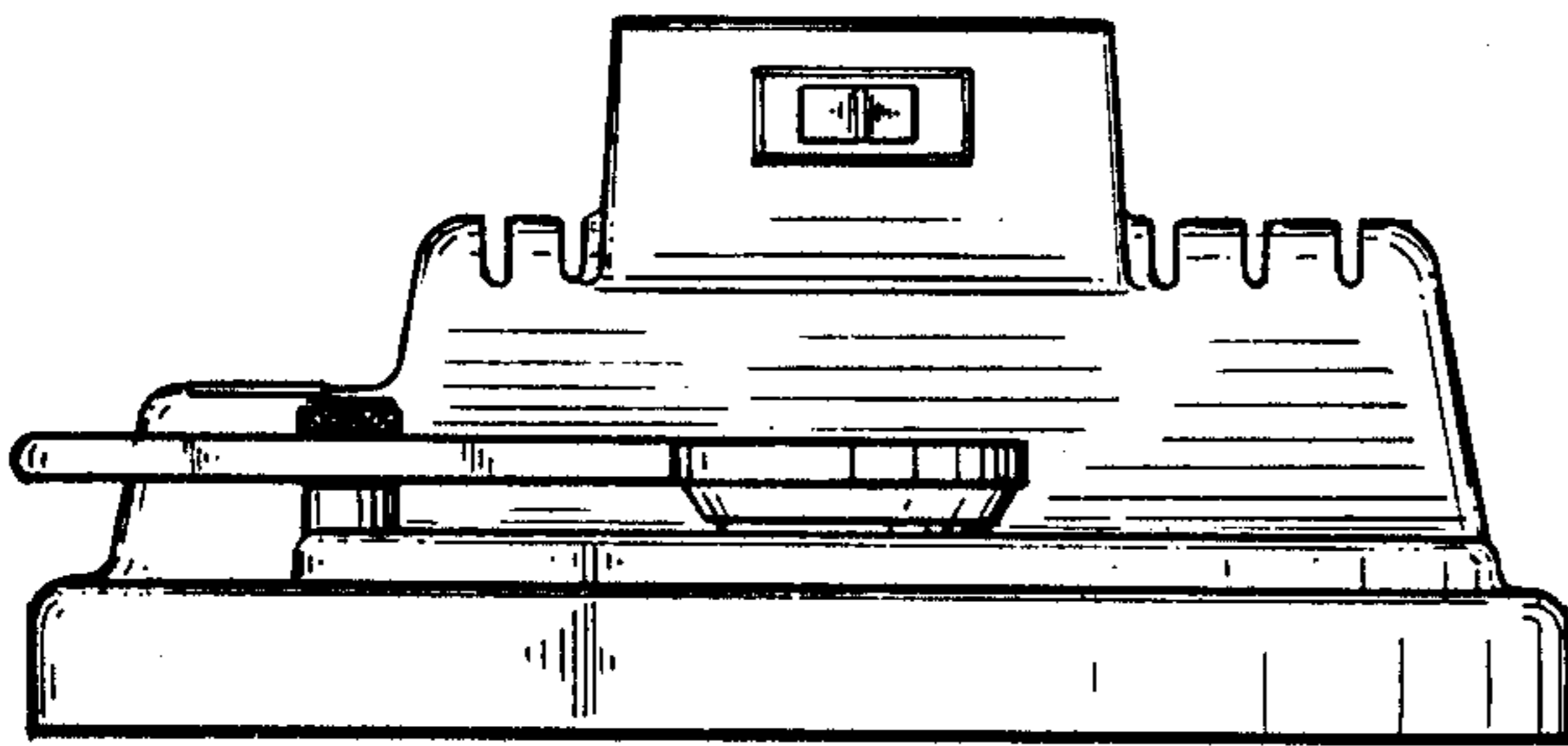


FIG-3

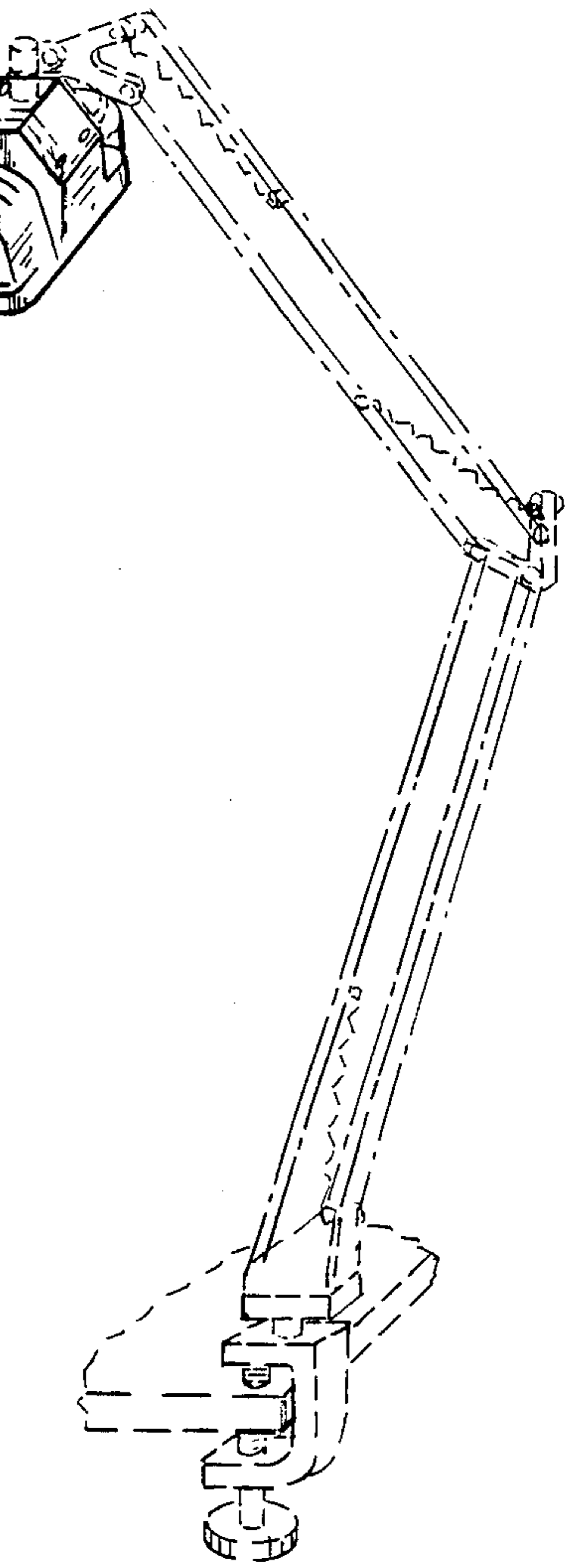


FIG-1

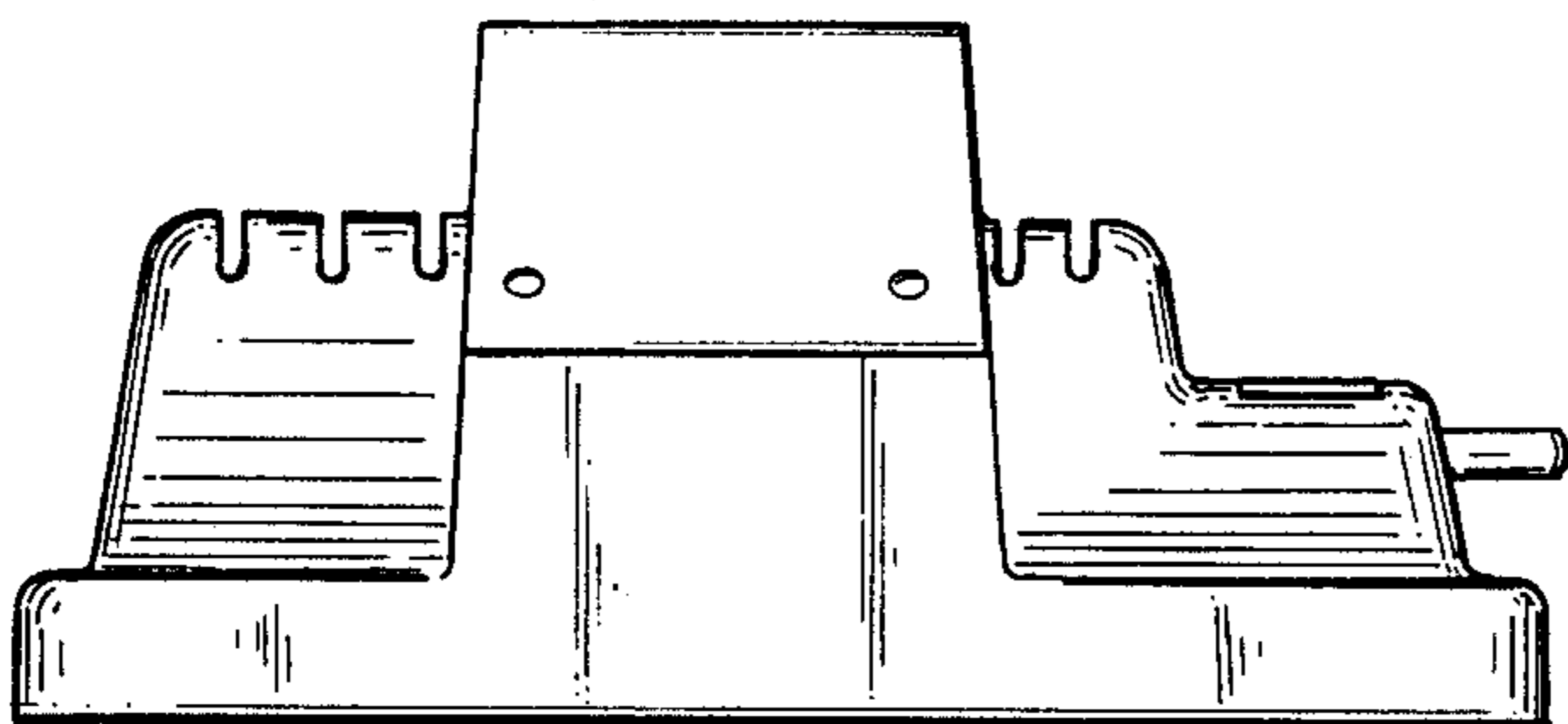


FIG-4

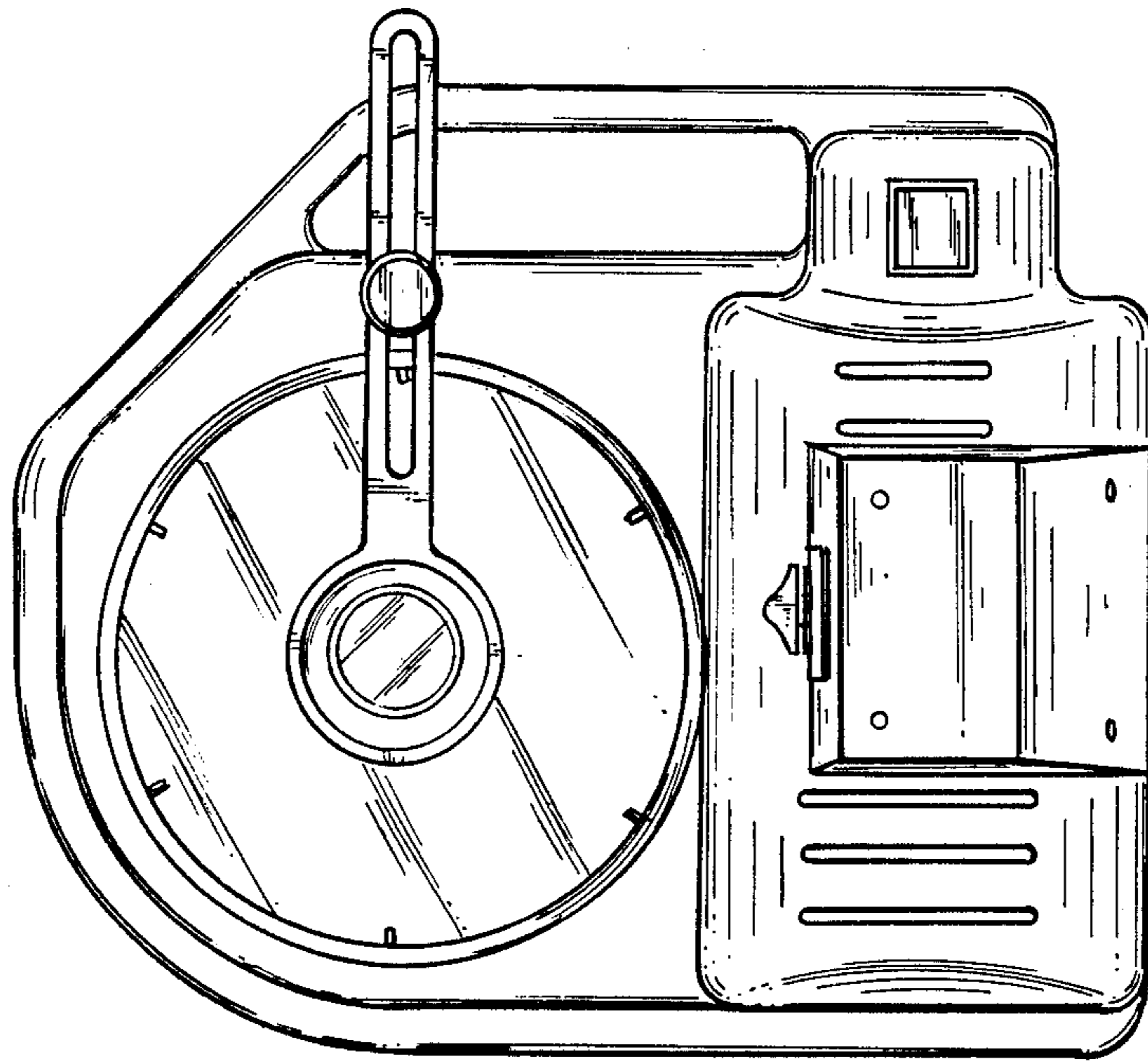


FIG-5

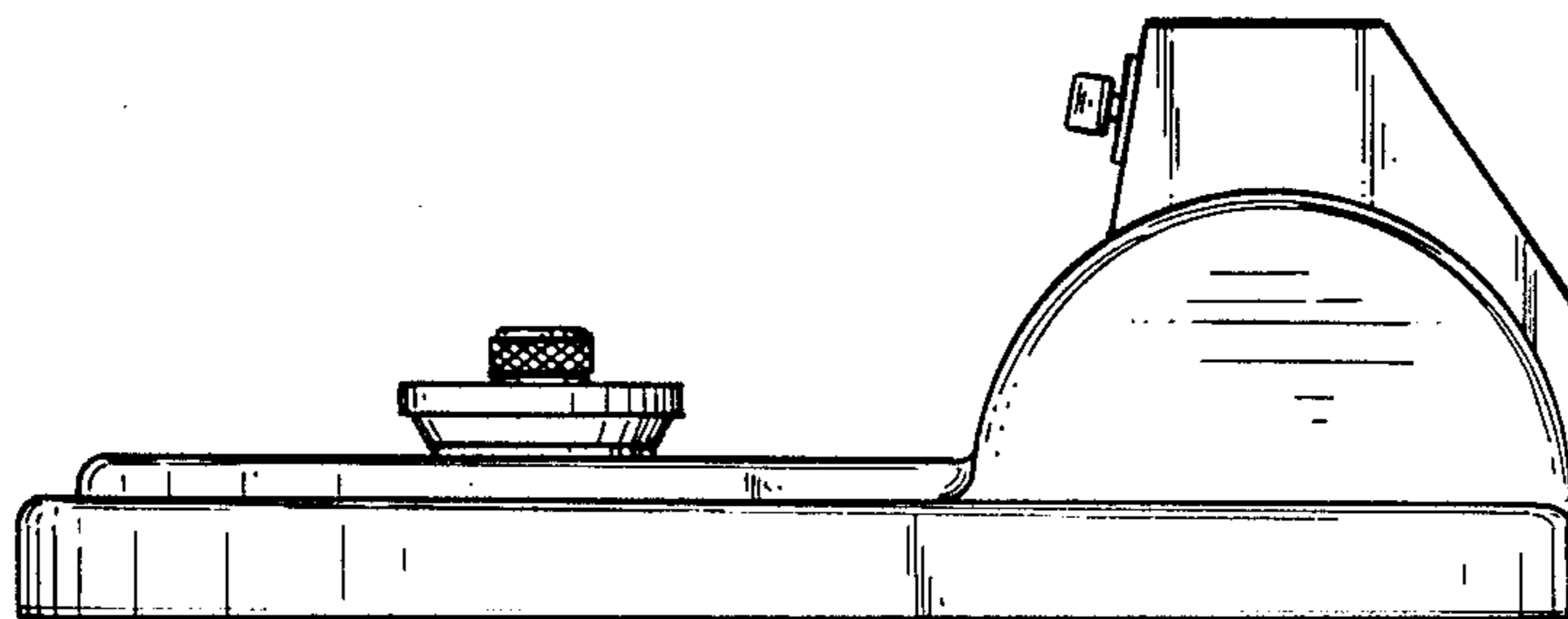


FIG-6

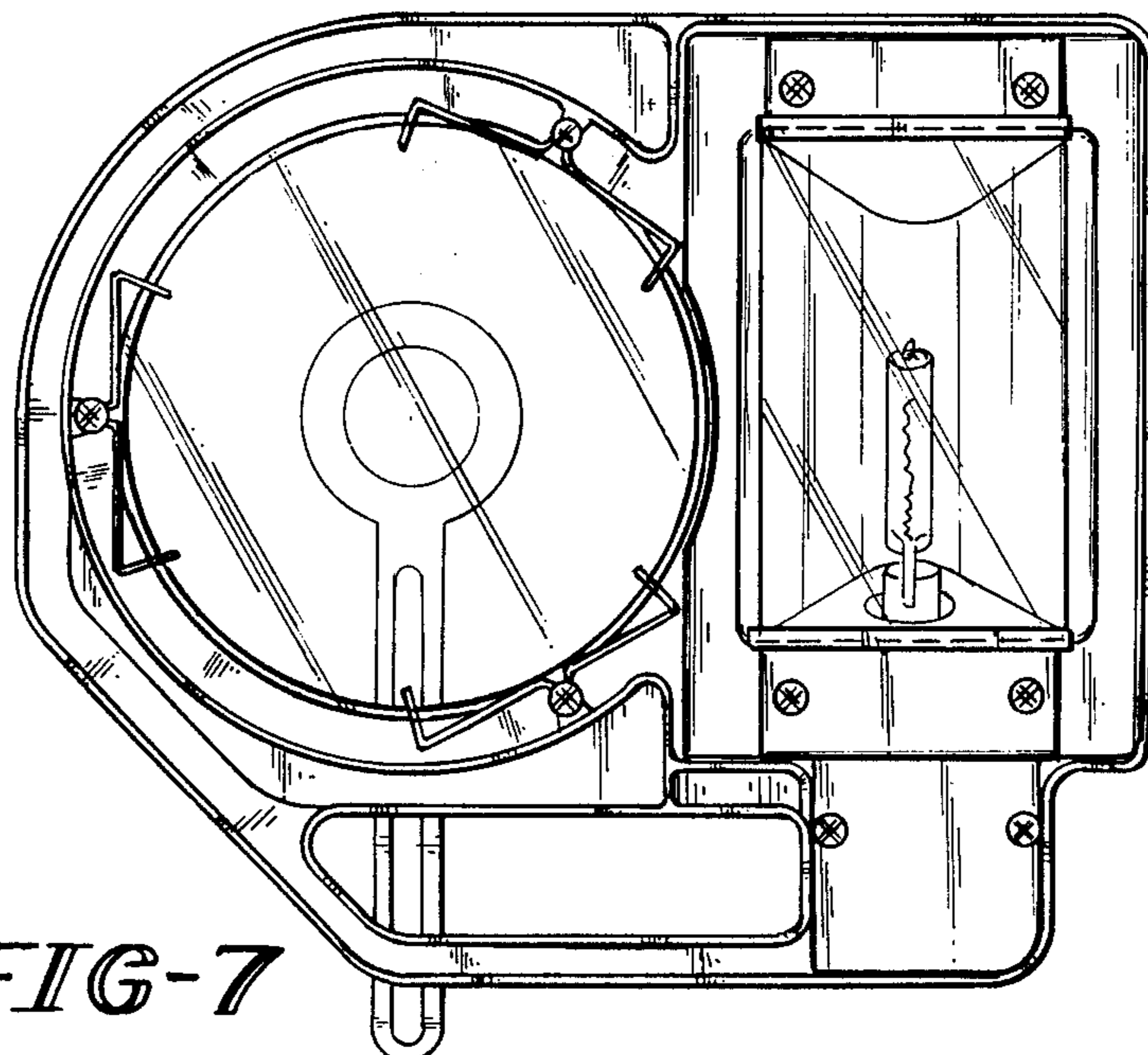


FIG-7