

- [54] **HOT AIR AND FUME DIRECTOR FOR CONVEYOR OVEN**
- [75] Inventor: **Clarke T. Welsh, Logansport, Ind.**
- [73] Assignee: **LDI Mfg. Co., Inc., Logansport, Ind.**
- [**] Term: **14 Years**
- [21] Appl. No.: **289,762**
- [22] Filed: **Dec. 27, 1988**
- [52] U.S. Cl. **D23/387**
- [58] Field of Search **D23/354, 370, 372, 371, D23/386, 387, 388, 393, 499; 98/115.1, 115.3; 126/299 R, 301, 299 P; 165/62; 99/386**

- 4,397,226 8/1983 Lind 98/115.1
- 4,409,890 10/1983 Longworth 98/115.3
- 4,473,004 9/1984 Wells et al. 99/386
- 4,616,562 10/1986 Kuechler 98/115.1
- 4,738,243 4/1988 Welsh et al. 126/299 R

FOREIGN PATENT DOCUMENTS

- 112615 12/1944 Sweden 126/299

Primary Examiner—James M. Gandy
Assistant Examiner—Lisa Lichtenstein
Attorney, Agent, or Firm—Woodard, Emhardt, Naughton Moriarty & McNett

[57] **CLAIM**

The ornamental design for a hot air and fume director for conveyor oven, as shown.

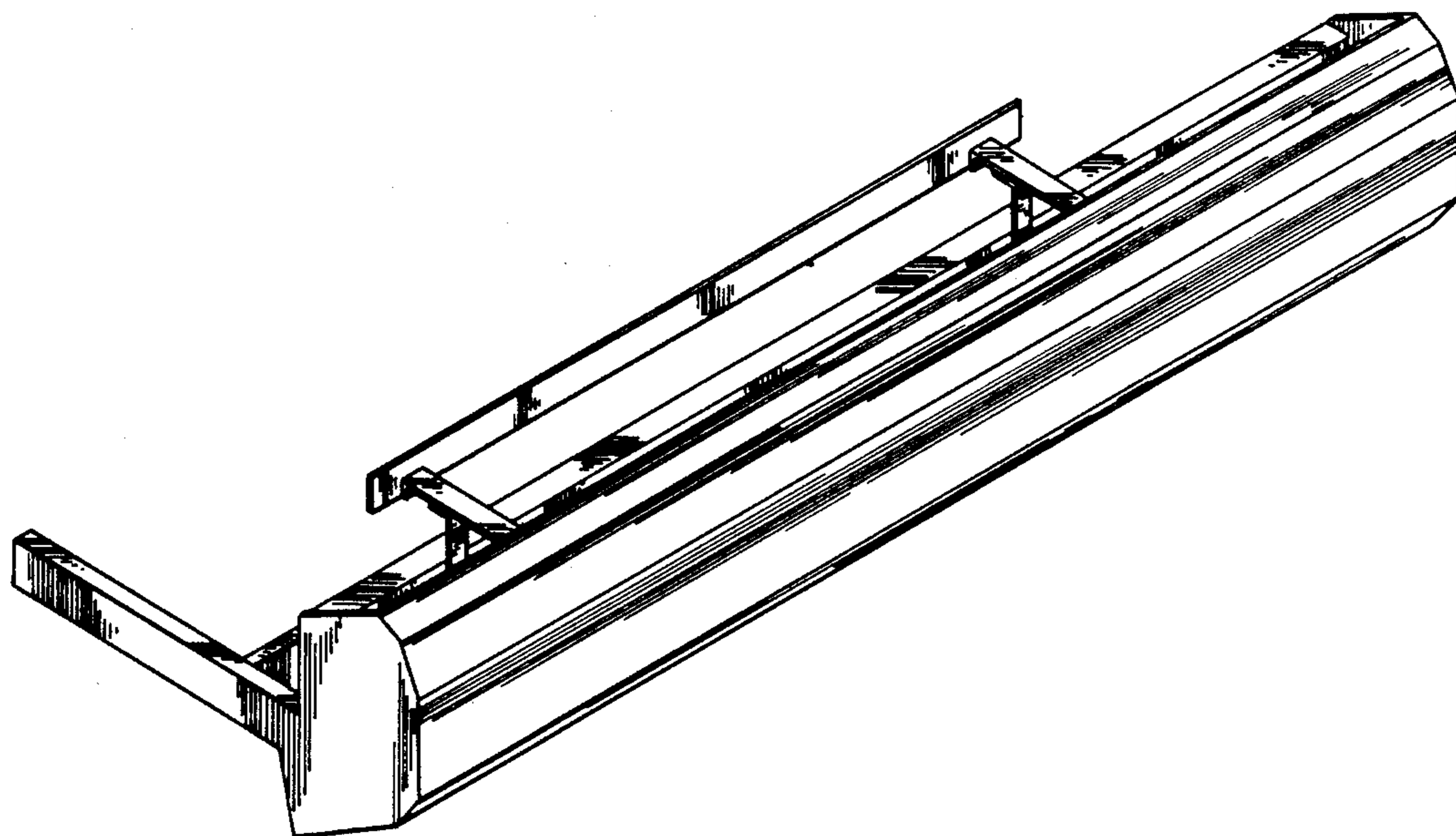
DESCRIPTION

FIG. 1 is a top, front perspective view of a hot air and fume director for conveyor oven, showing my new design.
 FIG. 2 is a top, rear perspective view thereof.
 FIG. 3 is a top plan view thereof.
 FIG. 4 is a front elevational view thereof.
 FIG. 5 is an enlarged cross-sectional view thereof taken along line 5—5 in FIG. 4 and viewed in the direction of the arrows.
 FIG. 6 is a rear elevational view thereof.
 FIG. 7 is a bottom plan view thereof.

[56] **References Cited**

U.S. PATENT DOCUMENTS

- D. 300,557 4/1989 Breidinger D23/387
- 2,060,398 11/1936 Lenke 126/299 R
- 2,535,863 12/1950 Pledger 126/301
- 2,564,087 8/1951 Warren 126/299 R
- 2,577,150 12/1951 Pledger 126/299 R
- 3,233,606 2/1966 Turner et al. 126/299 D
- 3,585,919 6/1971 Culpepper, Jr. 98/33.1
- 3,628,311 12/1971 Costarella 55/223
- 4,176,589 12/1979 Stuck 99/386
- 4,200,087 4/1980 Welsh 126/299 R
- 4,252,055 2/1981 Johansson et al. 99/386
- 4,354,549 10/1982 Smith 165/62



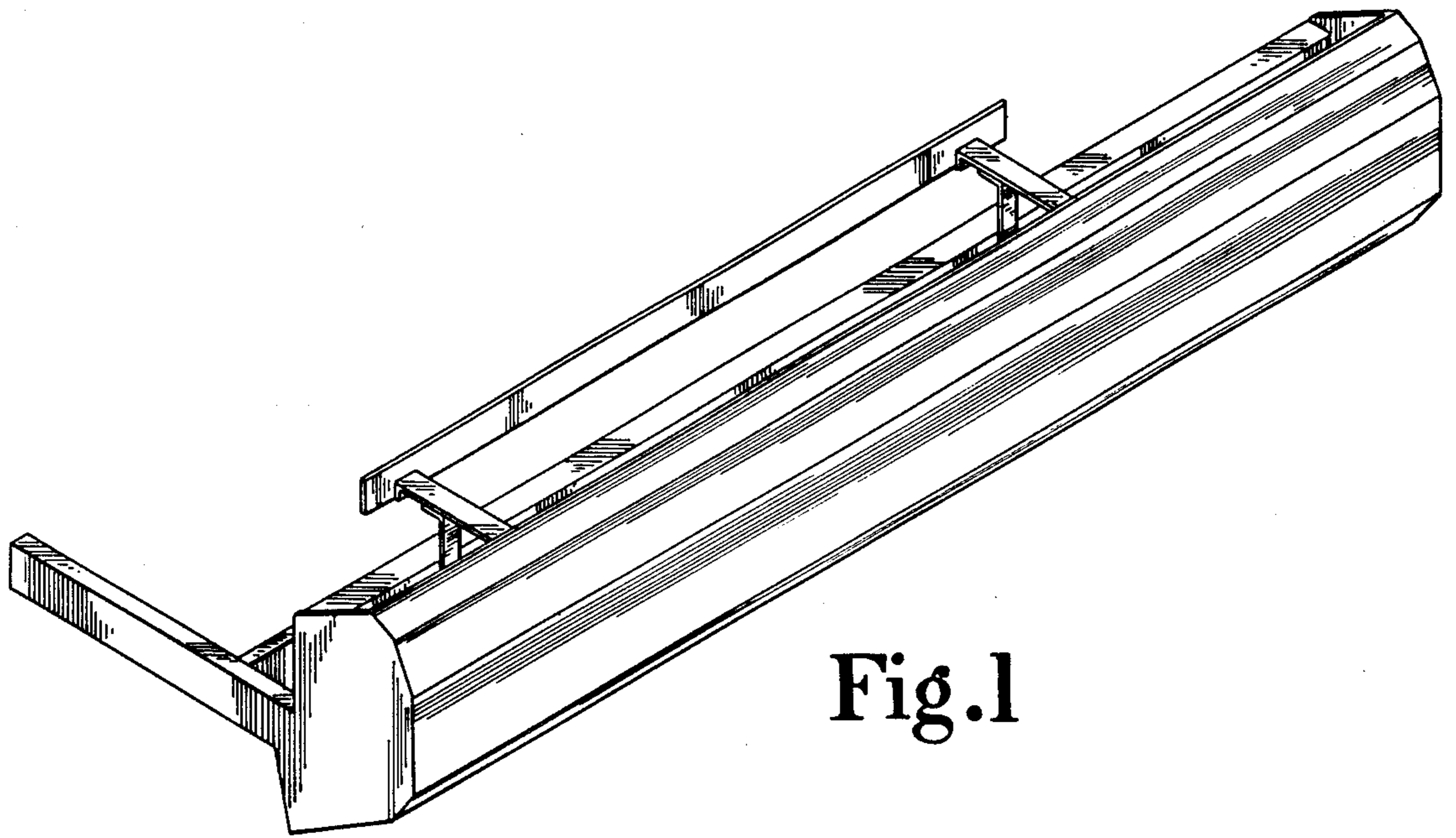


Fig. 1

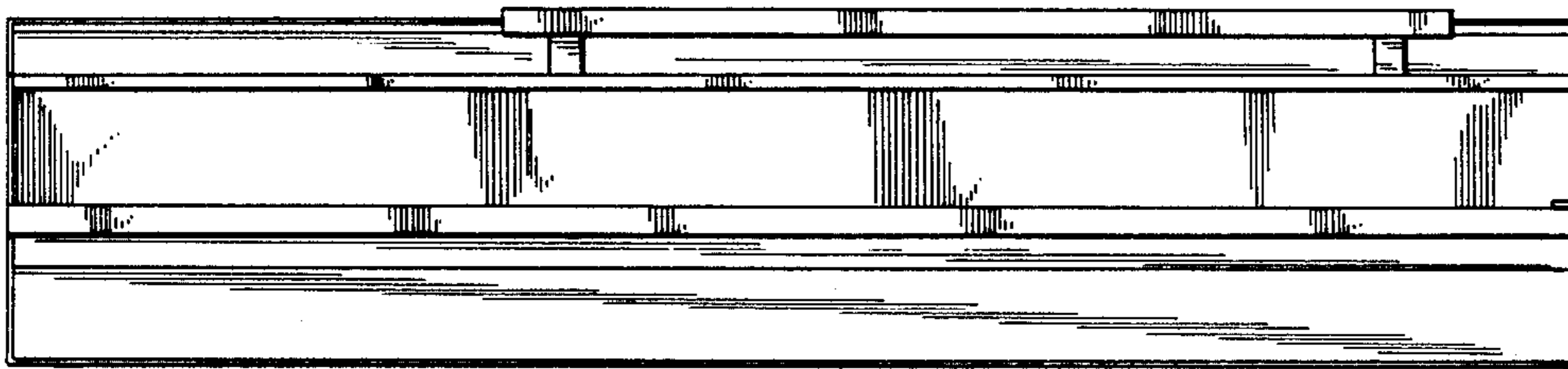


Fig. 6

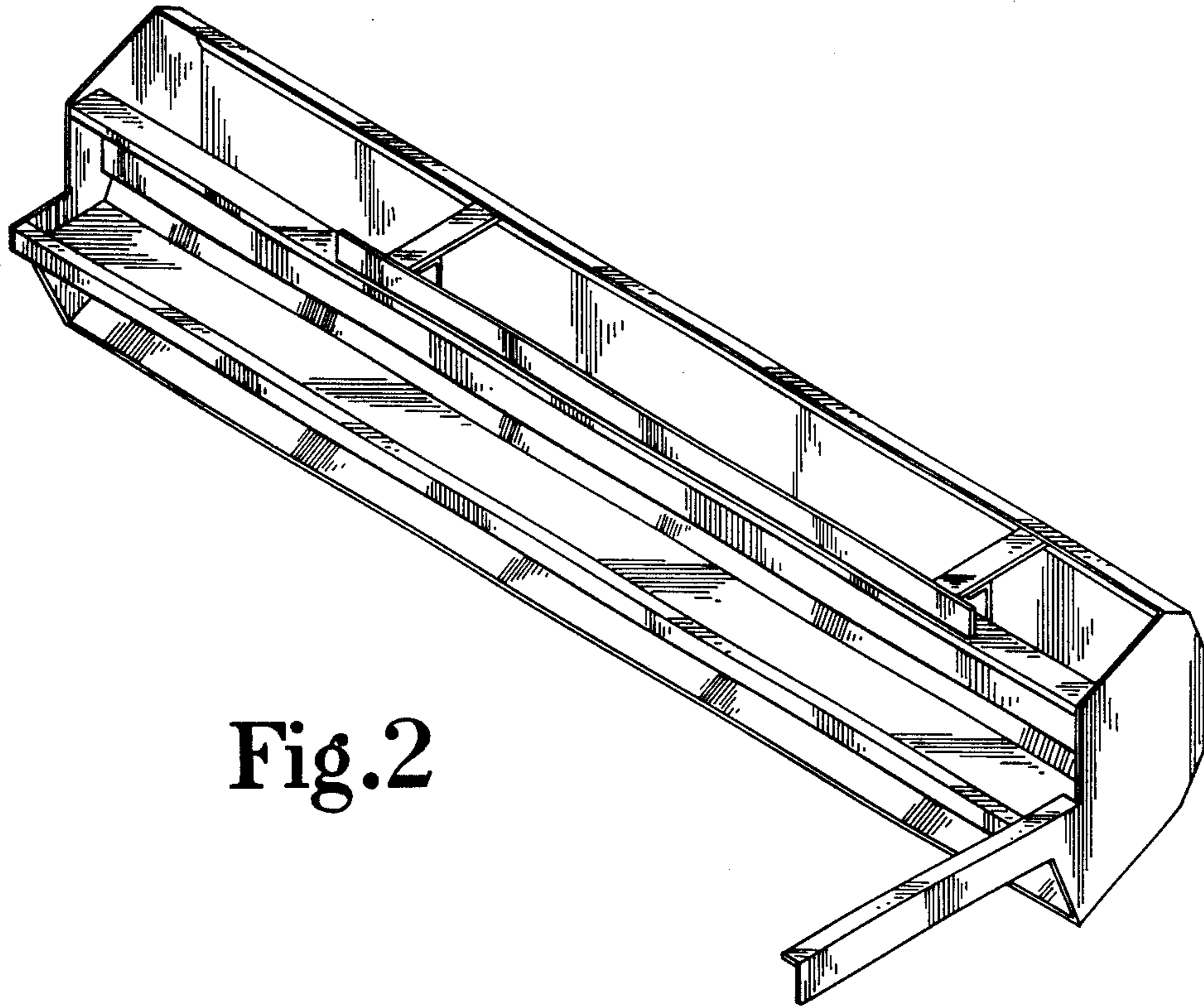


Fig. 2

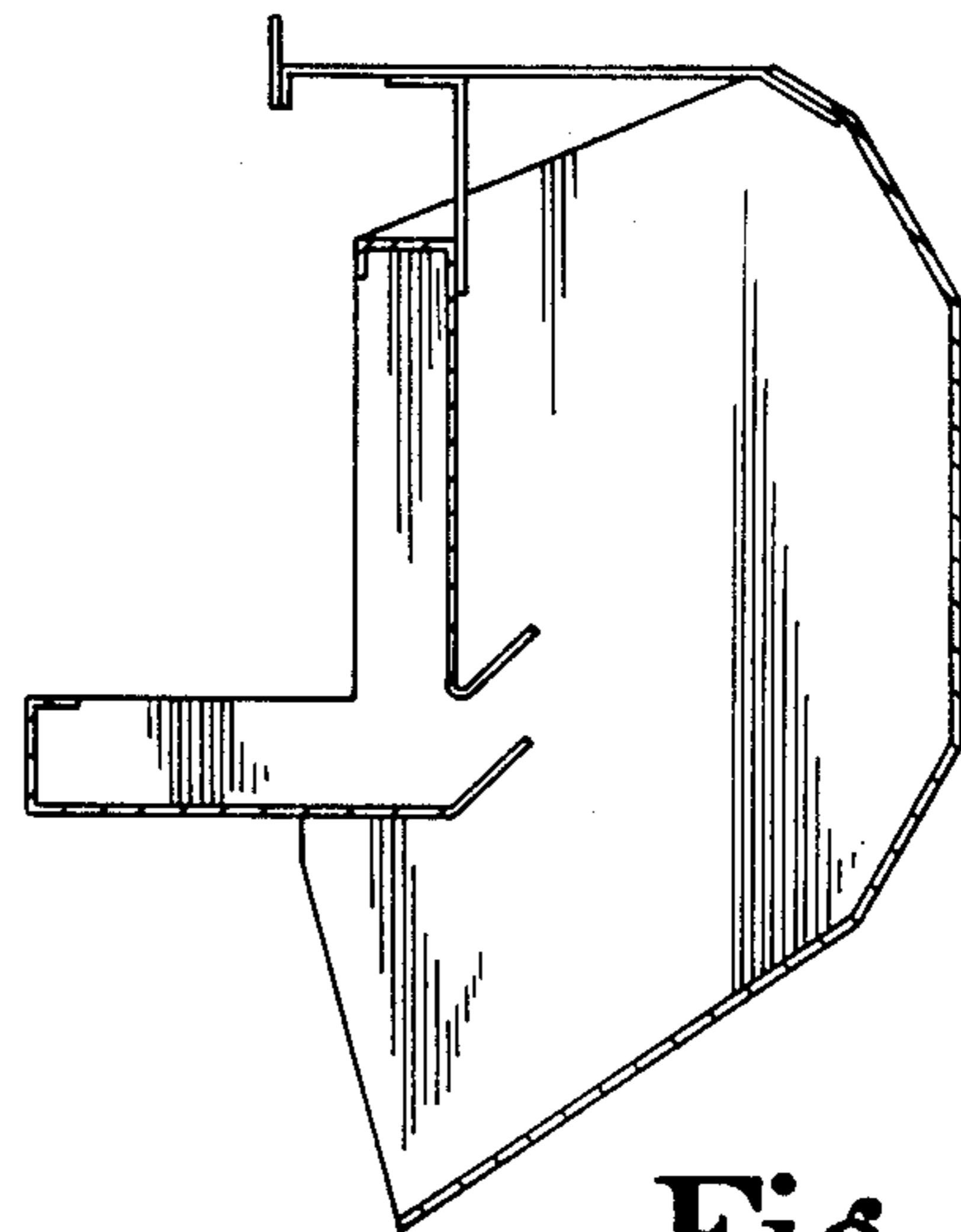


Fig. 5

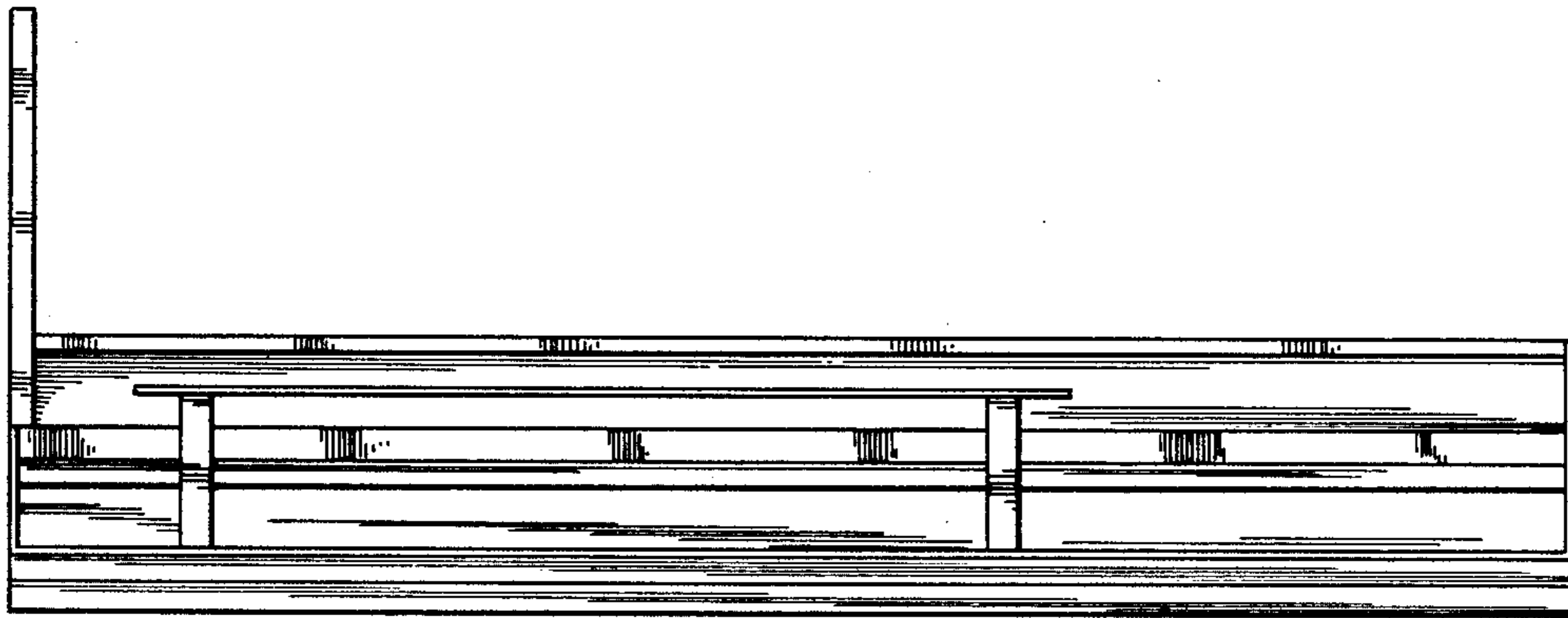


Fig. 3

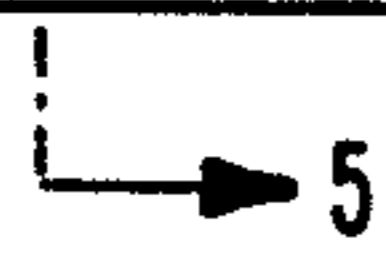
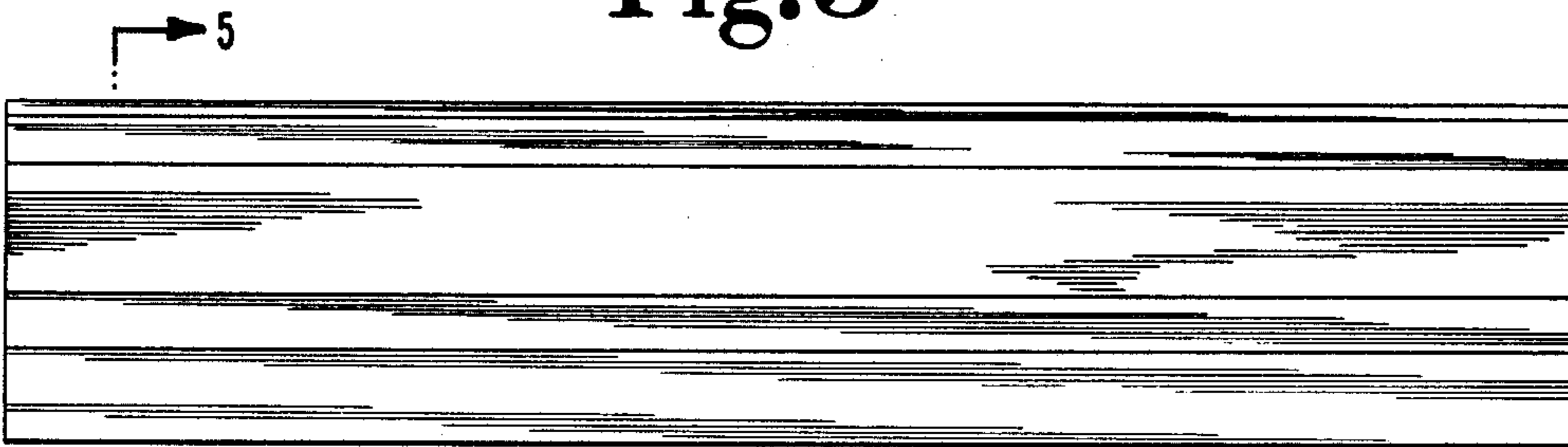


Fig. 4

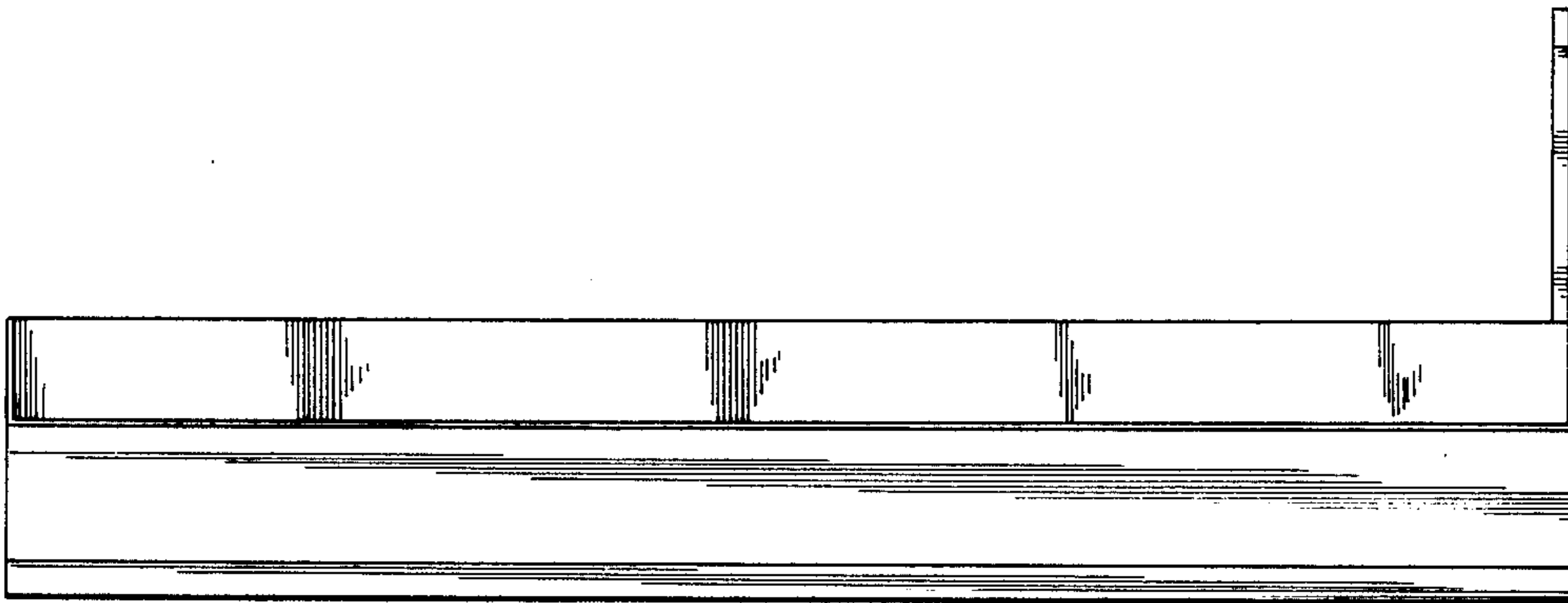


Fig. 7