

[54] FAUCET

[75] Inventor: Herbert Reinecke, Iserlohn, Fed. Rep. of Germany

[73] Assignee: Aloys F. Dornbracht GmbH & Co., Iserlohn, Fed. Rep. of Germany

[\*\*] Term: 14 Years

[21] Appl. No.: 373,777

[22] Filed: Jun. 29, 1989

Related U.S. Application Data

[62] Division of Ser. No. 905,235, Sep. 8, 1986.

[30] Foreign Application Priority Data

Mar. 13, 1986 [DE] Fed. Rep. of Germany ..... MR7474  
Aug. 25, 1986 [DE] Fed. Rep. of Germany ..... MR7498

[52] U.S. Cl. .... D23/238

[58] Field of Search ..... D23/238, 255-257;  
4/191, 192; 137/801, 625.4, 625.41, 636.1,  
636.2, 636.38, 636.4

[56] References Cited

U.S. PATENT DOCUMENTS

- D. 65,301 7/1924 Ross ..... D23/238
- D. 149,196 4/1948 Little et al. .... D23/238
- D. 149,379 4/1948 Sayre ..... D23/238
- D. 183,672 10/1958 Barker ..... D23/238
- D. 217,670 5/1970 Rowlands ..... D23/238

- D. 227,761 7/1973 Arbon ..... D23/238
- D. 227,762 7/1973 Arbon ..... D23/238
- D. 263,991 4/1982 Fleischmann et al. .... D23/257
- D. 287,395 12/1986 Piesco ..... D23/255
- 3,369,566 2/1968 Schmitt et al. .... 137/636.3 X
- 3,372,710 3/1968 Miller ..... 137/636.3
- 3,420,272 1/1969 Corlett ..... 137/636.3
- 3,512,547 5/1970 Gibbs et al. .... 137/625.4 X
- 3,533,436 10/1970 Parkison ..... 137/625.4 X
- 3,854,493 12/1974 Farrell ..... 137/625.4 X

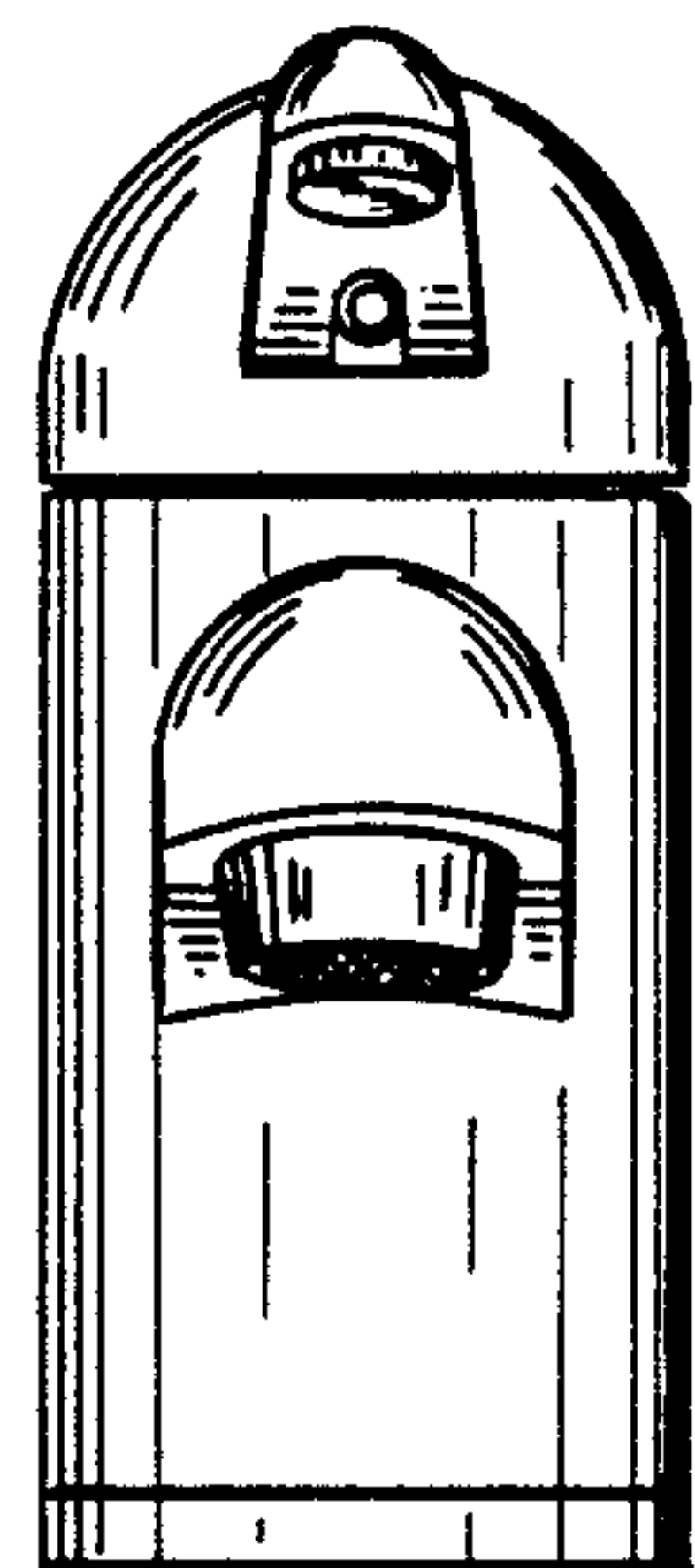
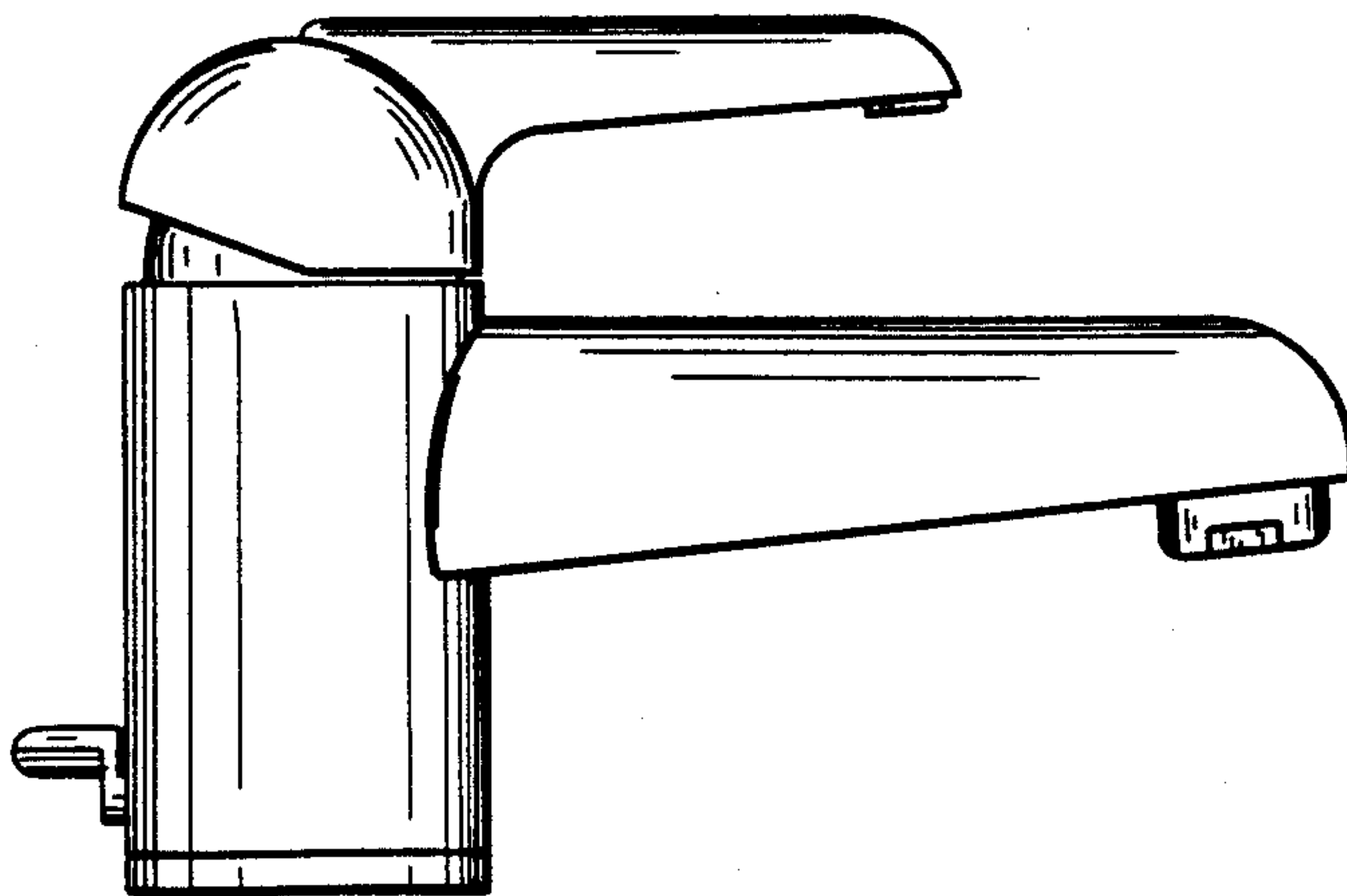
Primary Examiner—James R. Largen  
Attorney, Agent, or Firm—Herbert Dubno

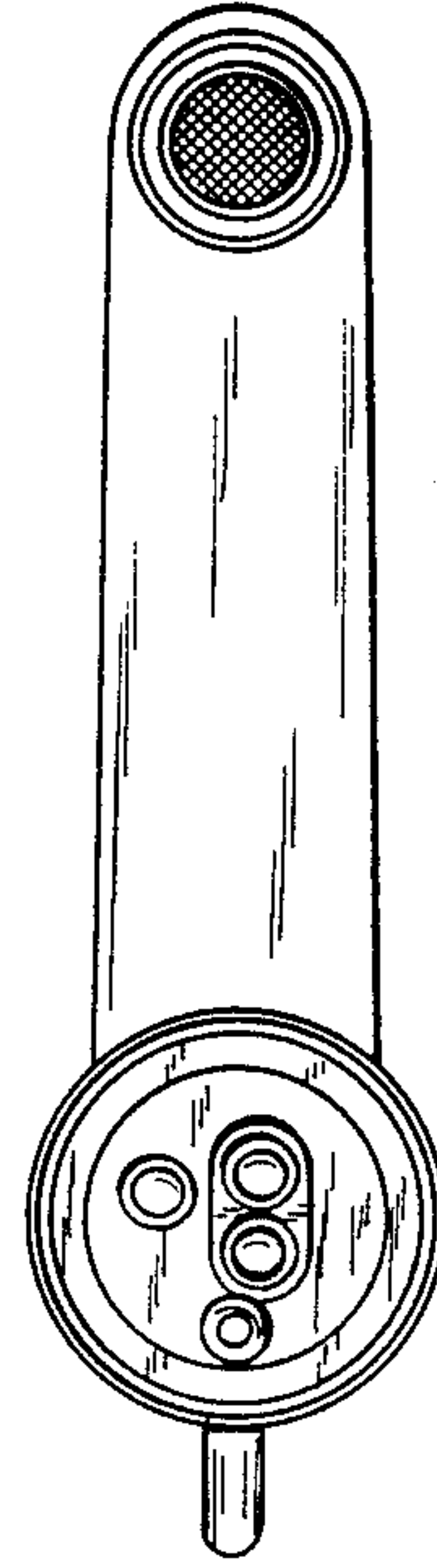
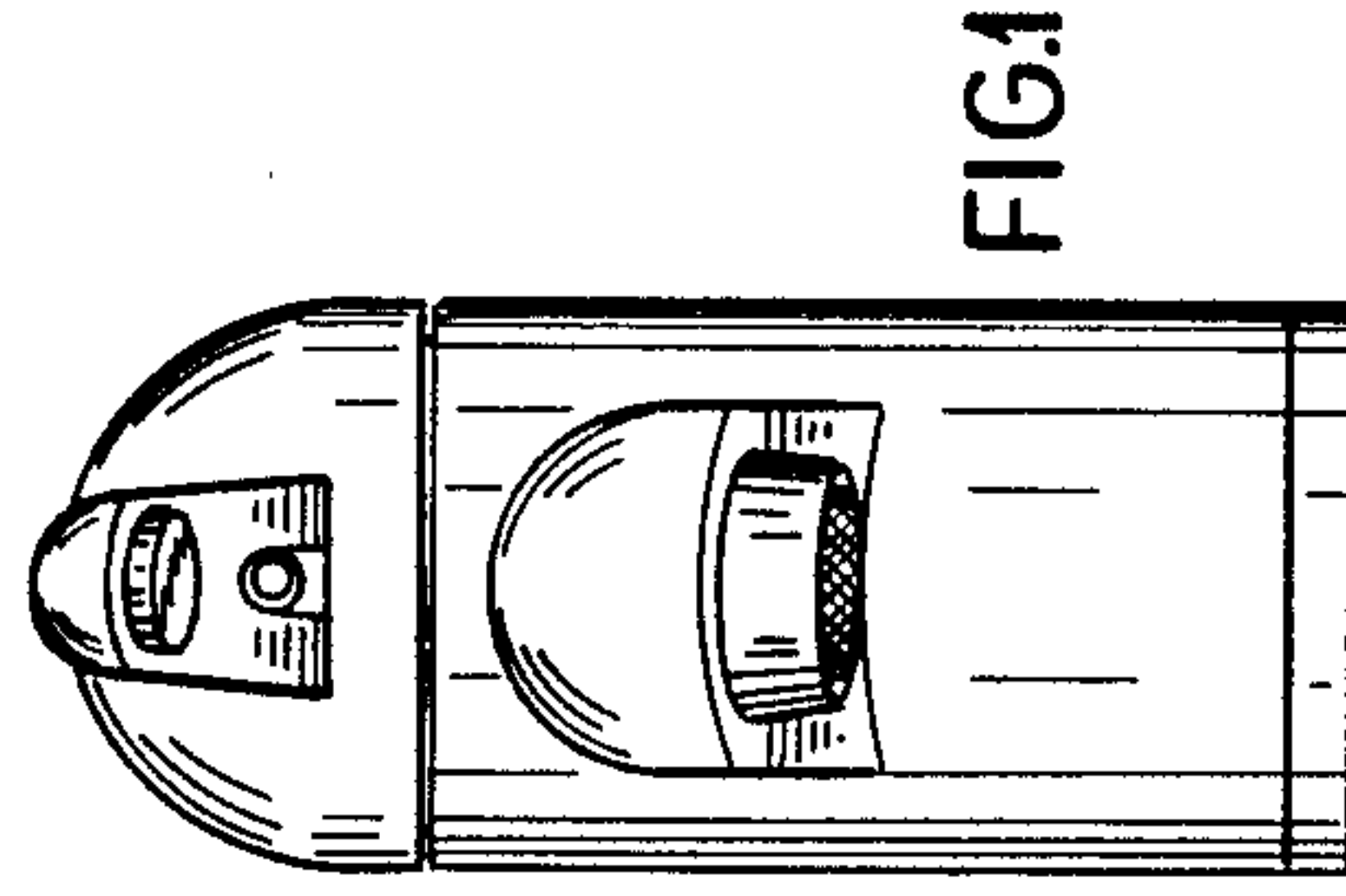
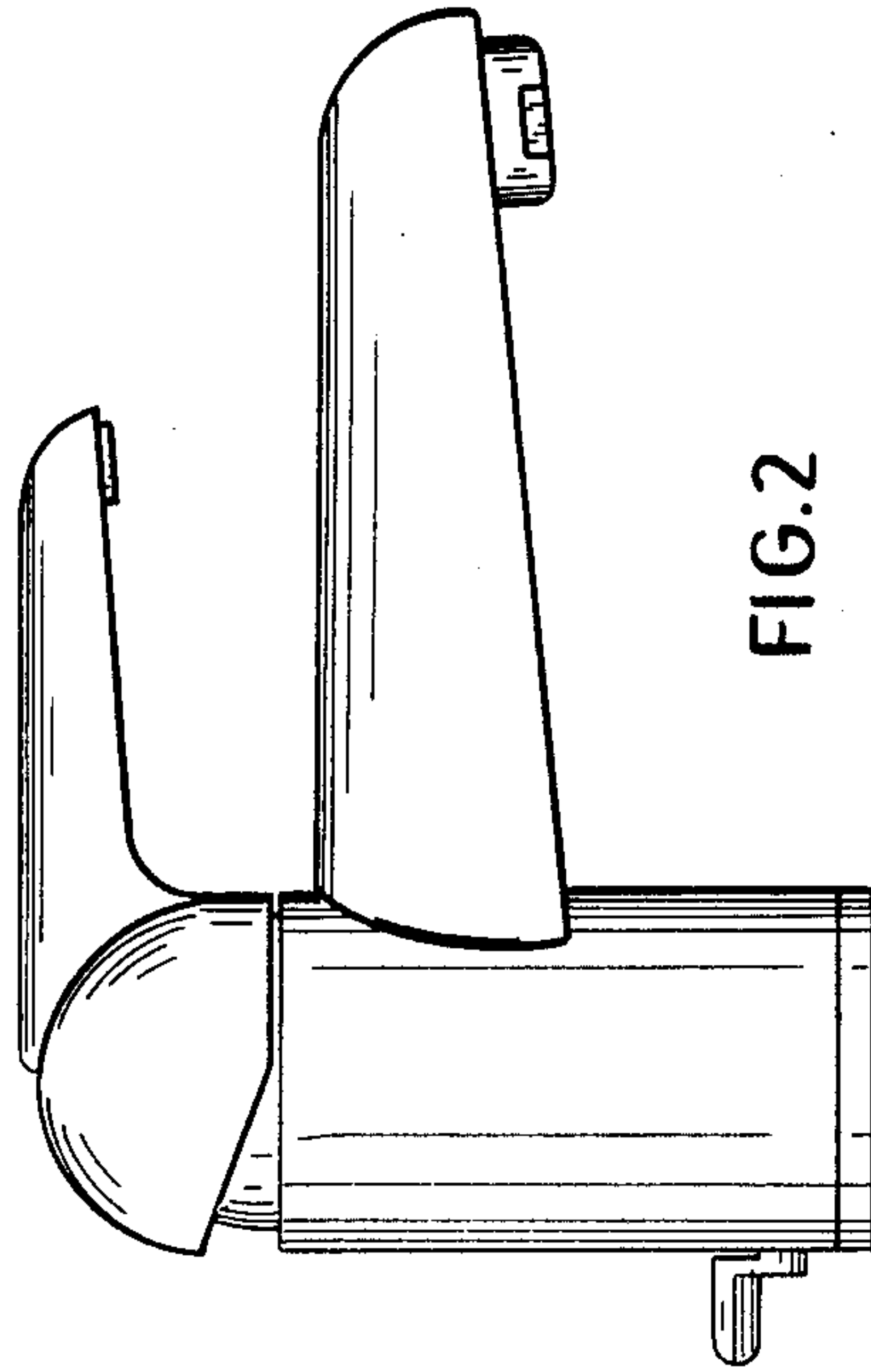
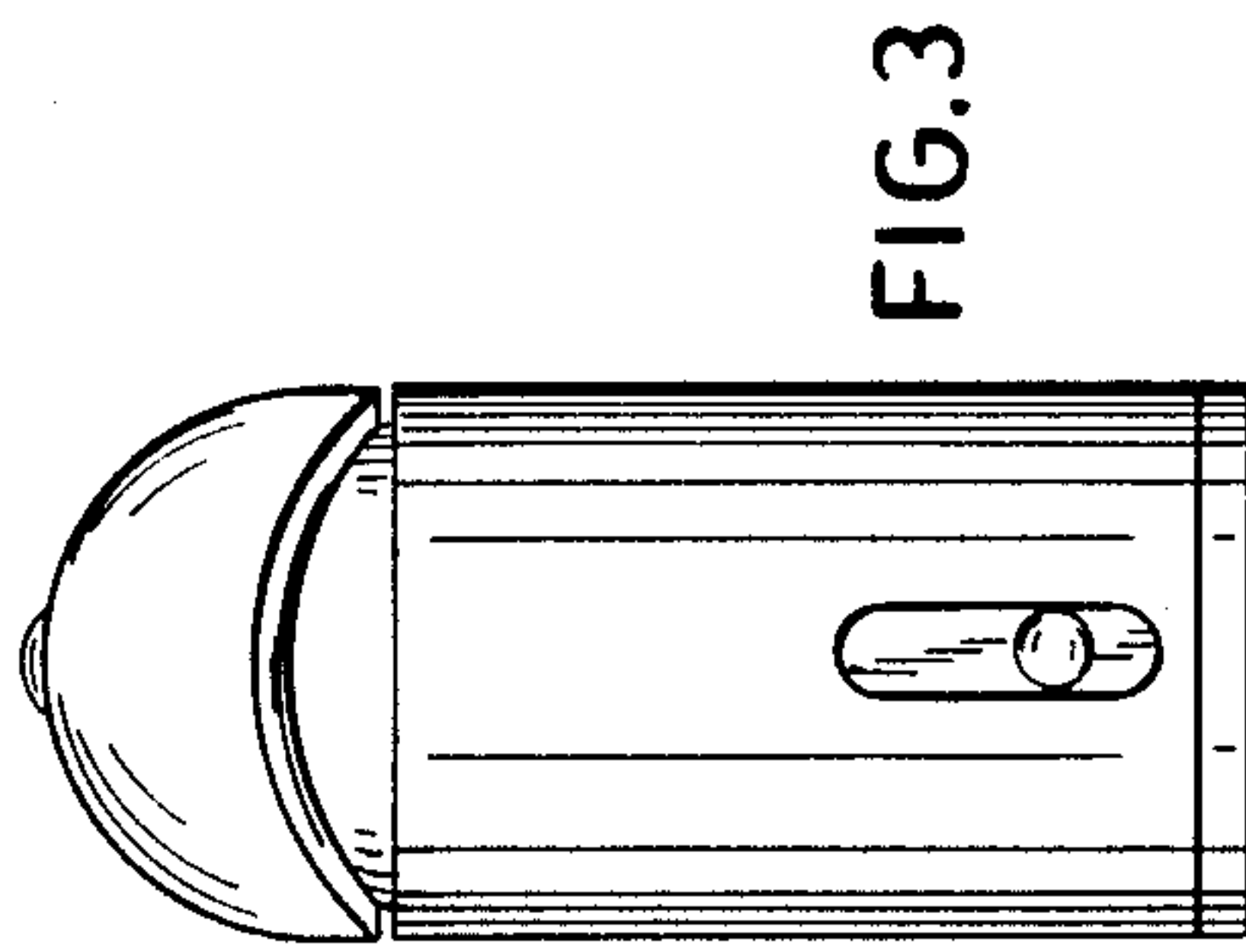
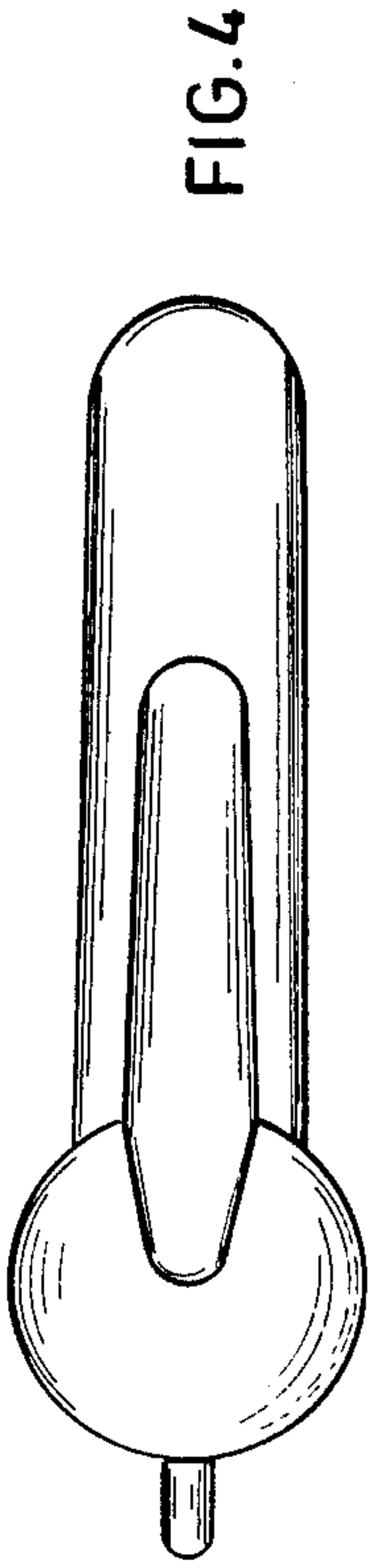
[57] CLAIM

The ornamental design for a faucet, as shown and described.

DESCRIPTION

FIG. 1 is a front elevational view of a faucet showing my new design;  
 FIG. 2 is a left side elevational view thereof, the right side being a mirror image of the left side shown;  
 FIG. 3 is a rear elevational view thereof;  
 FIG. 4 is a top plan view thereof;  
 FIG. 5 is a bottom plan view thereof;  
 FIG. 6 is a front elevational view of a modified form of the faucet shown in FIG. 1;  
 FIG. 7 is a left side elevational view of FIG. 6 the right side being a mirror image of the left side shown;  
 FIG. 8 is a rear elevational view of FIG. 6;  
 FIG. 9 is a bottom plan view of FIG. 6; and  
 FIG. 10 is a top plan view of FIG. 6.





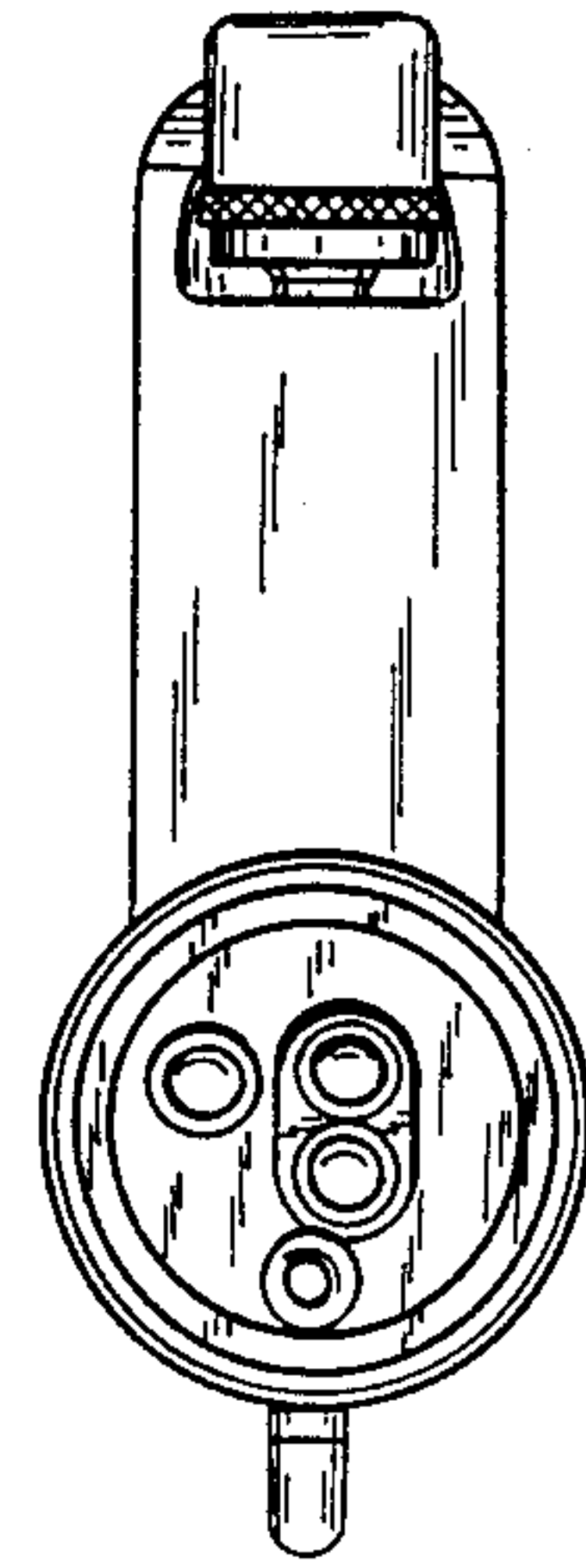
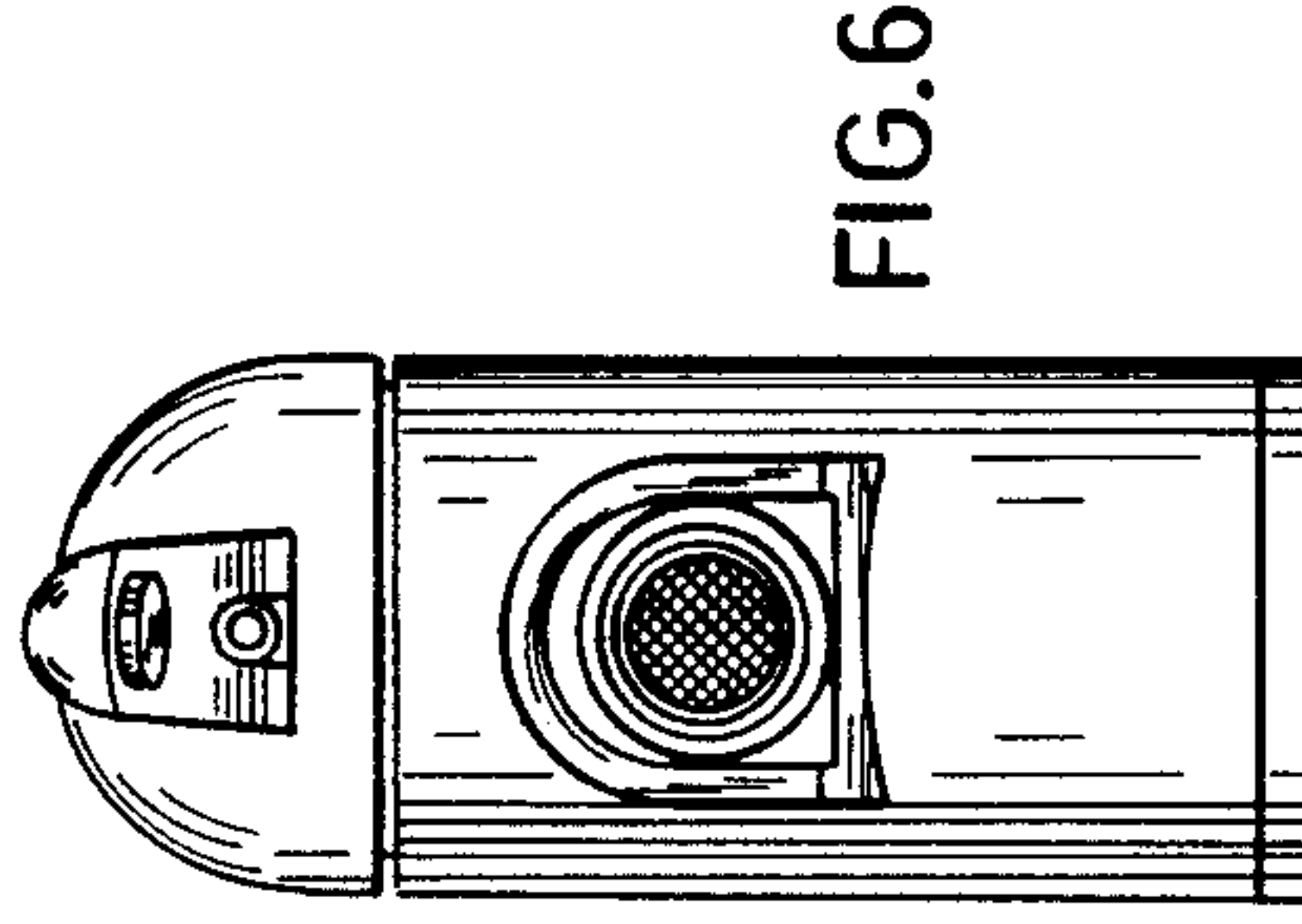
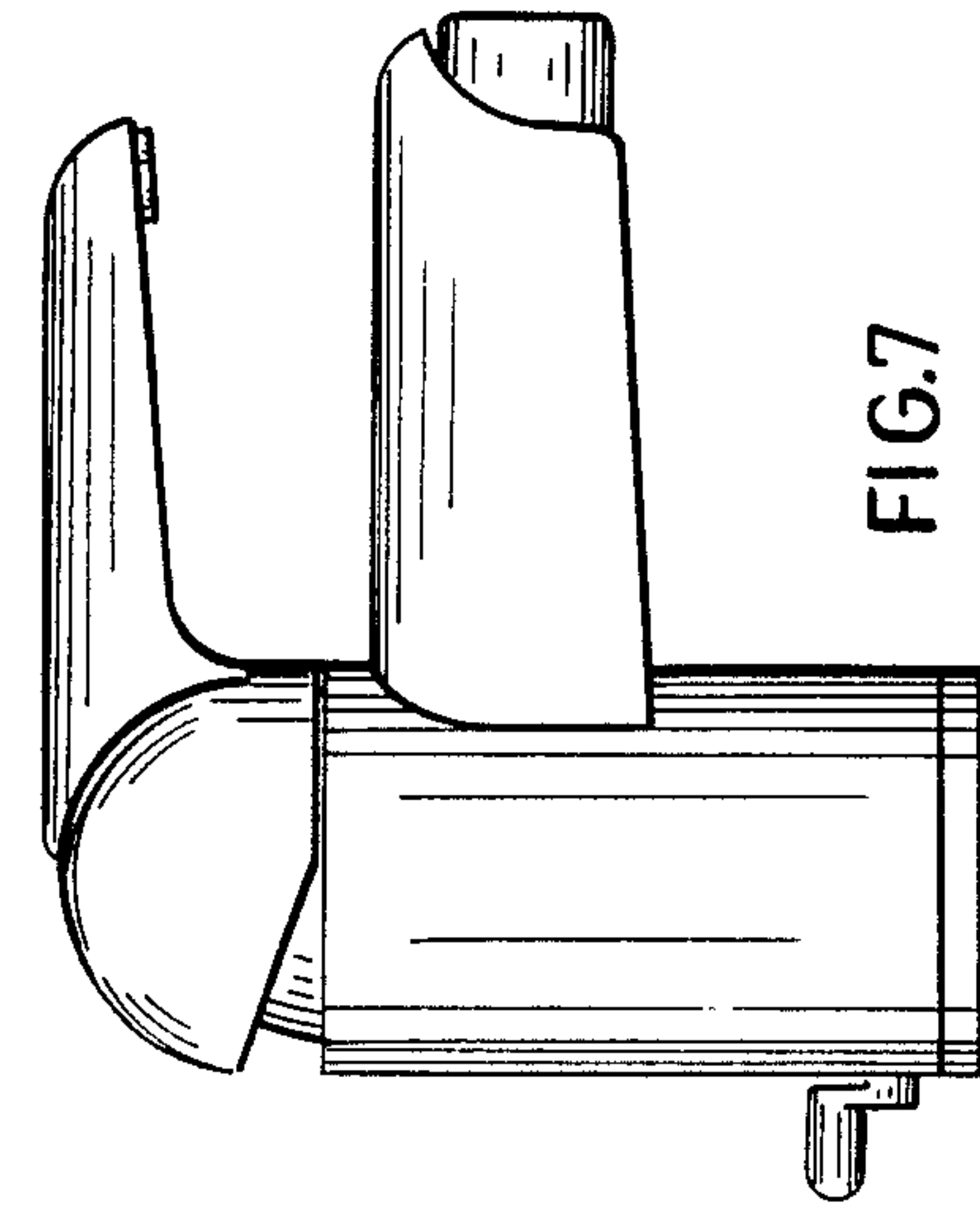
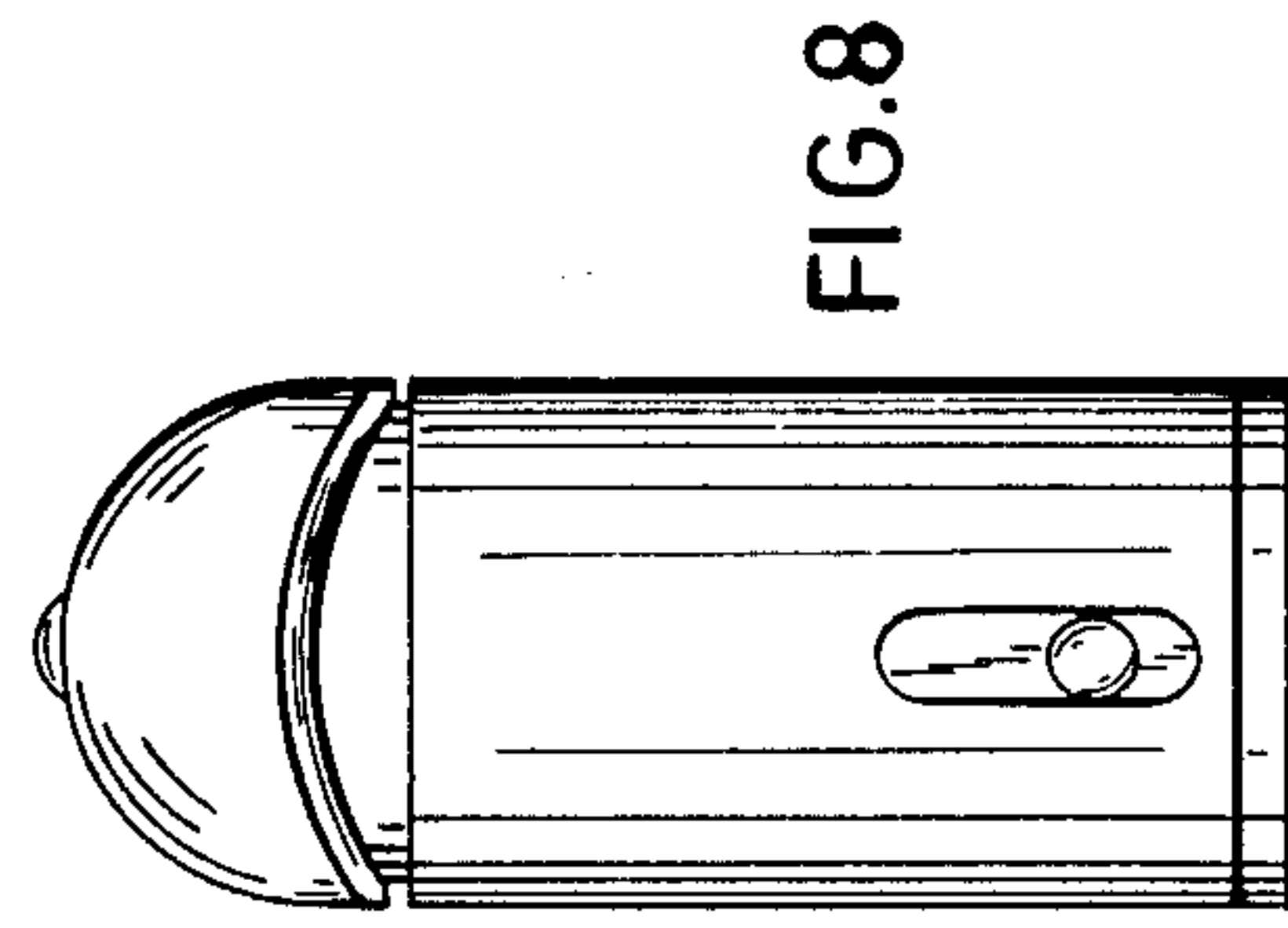
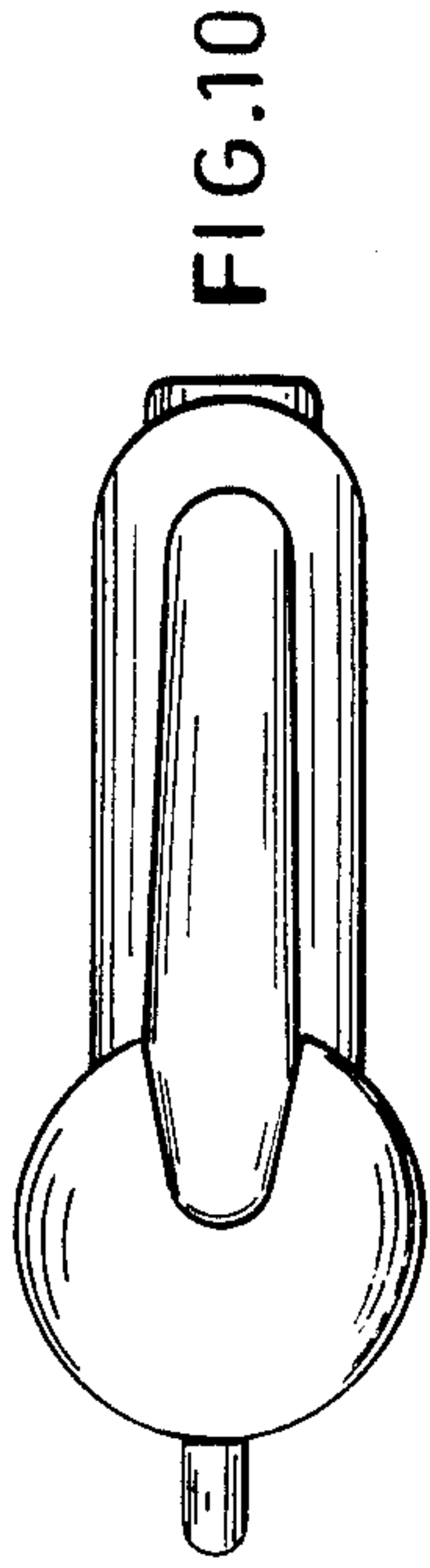


FIG. 9