

[54] SPRAY GUN

[75] Inventor: Gianfranco Roman, Pasiano, Italy

[73] Assignee: Claber S.p.A., Italy

[\*\*] Term: 14 Years

[21] Appl. No.: 104,672

[22] Filed: Oct. 2, 1987

[30] Foreign Application Priority Data

Apr. 6, 1987 [IT] Italy ..... 21331/87[U]

[52] U.S. Cl. .... D23/226

[58] Field of Search ..... D23/213, 223, 224, 225, D23/226, 227; 239/459, 456, 526

[56] References Cited

U.S. PATENT DOCUMENTS

|           |        |            |         |
|-----------|--------|------------|---------|
| 2,523,084 | 9/1950 | Adragna    | 239/459 |
| 2,784,029 | 3/1957 | Gfeller    | D23/223 |
| 2,937,813 | 5/1960 | Rinkewich  | 239/459 |
| 2,991,945 | 7/1961 | Rosenkranz | 239/459 |
| 4,025,000 | 5/1977 | Blasnik    | 239/459 |
| 4,448,355 | 5/1984 | Roman      | 239/526 |

4,619,403 10/1986 Goldney et al. .... 239/526

Primary Examiner—James M. Gandy  
Assistant Examiner—Lisa Lichtenstein  
Attorney, Agent, or Firm—Steele, Gould & Fried

[57] CLAIM

The ornamental design for a spray gun, as shown and described.

DESCRIPTION

FIG. 1 is side elevation view of a spray gun showing my new design, the opposite side being substantially a mirror image;  
FIG. 2 is a rear elevation view thereof;  
FIG. 3 is a front elevation thereof;  
FIG. 4 is a top plan view thereof;  
FIG. 5 is a bottom plan view thereof;  
FIG. 6 is a side elevation view of a spray gun showing a second embodiment of my new design, the opposite side being substantially a mirror image;  
FIG. 7 is a rear elevation view of FIG. 6;  
FIG. 8 is a front elevation view of FIG. 6;  
FIG. 9 is a top plan view of FIG. 6; and  
FIG. 10 is a bottom plan view of FIG. 6.

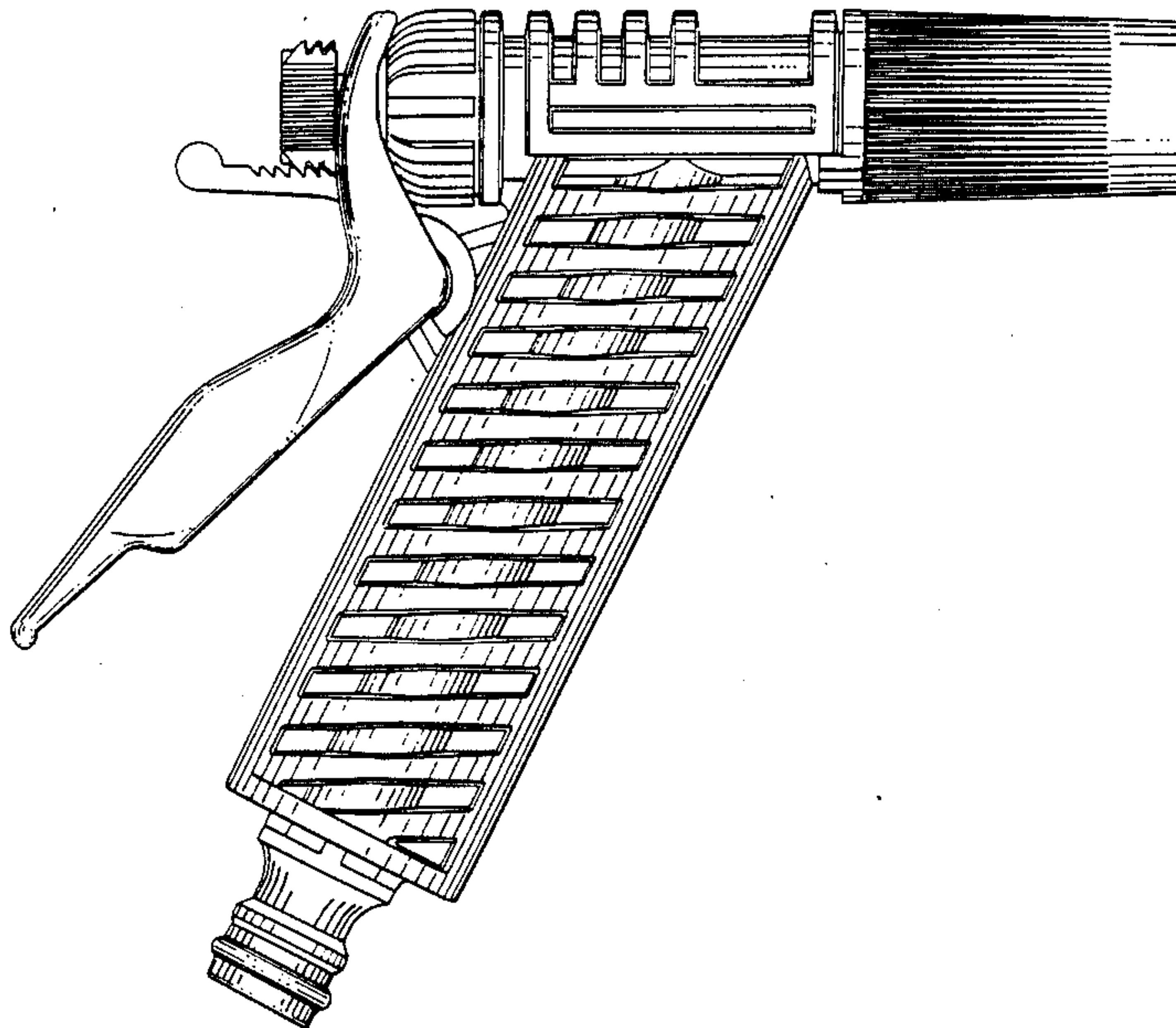


Fig.1

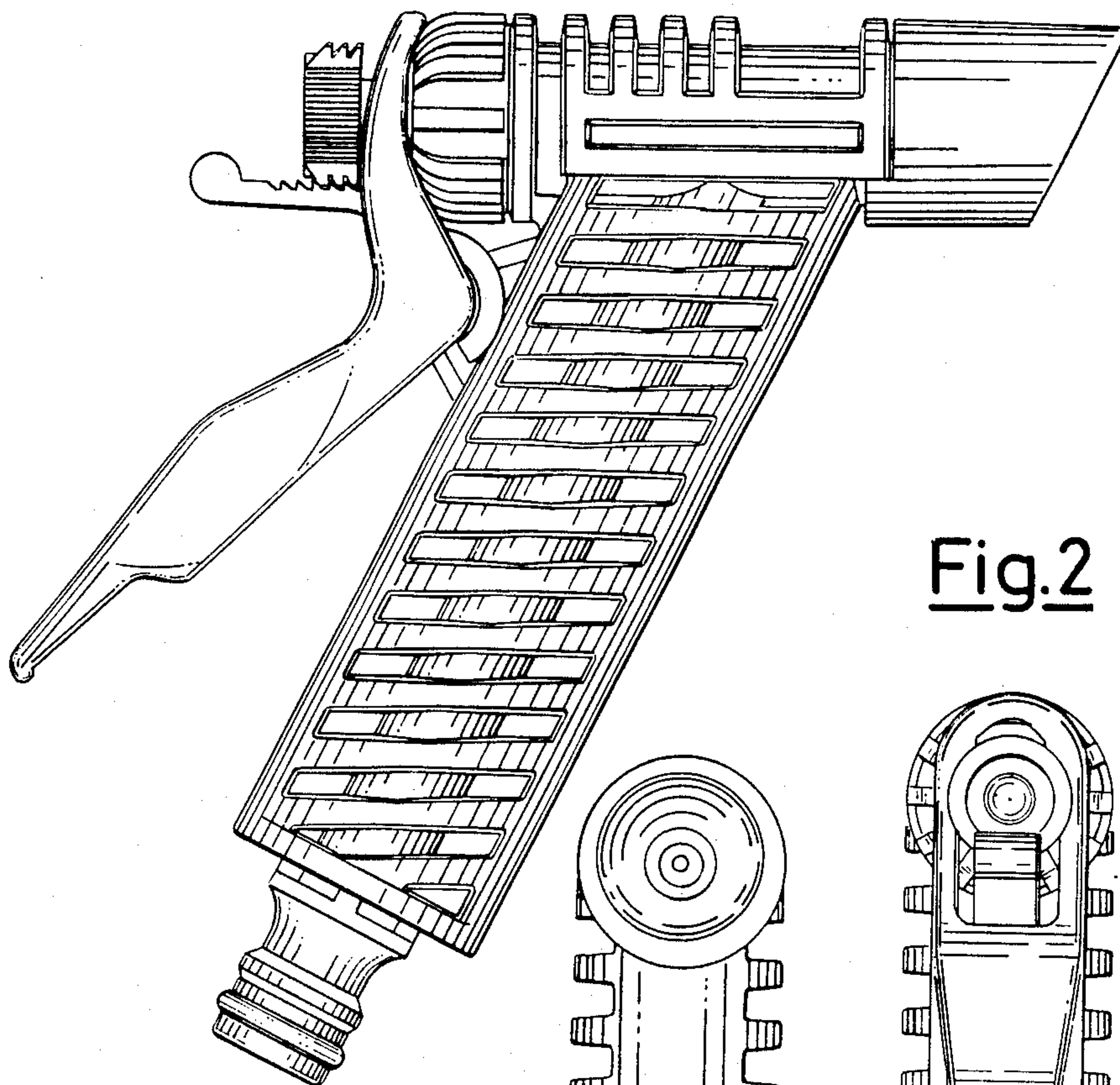


Fig.2

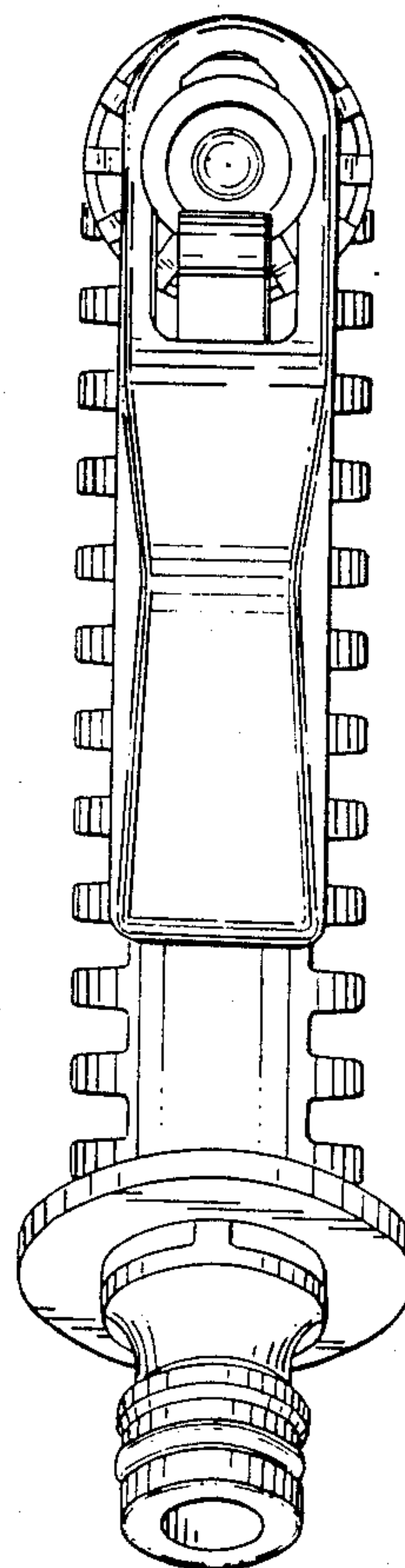


Fig.3

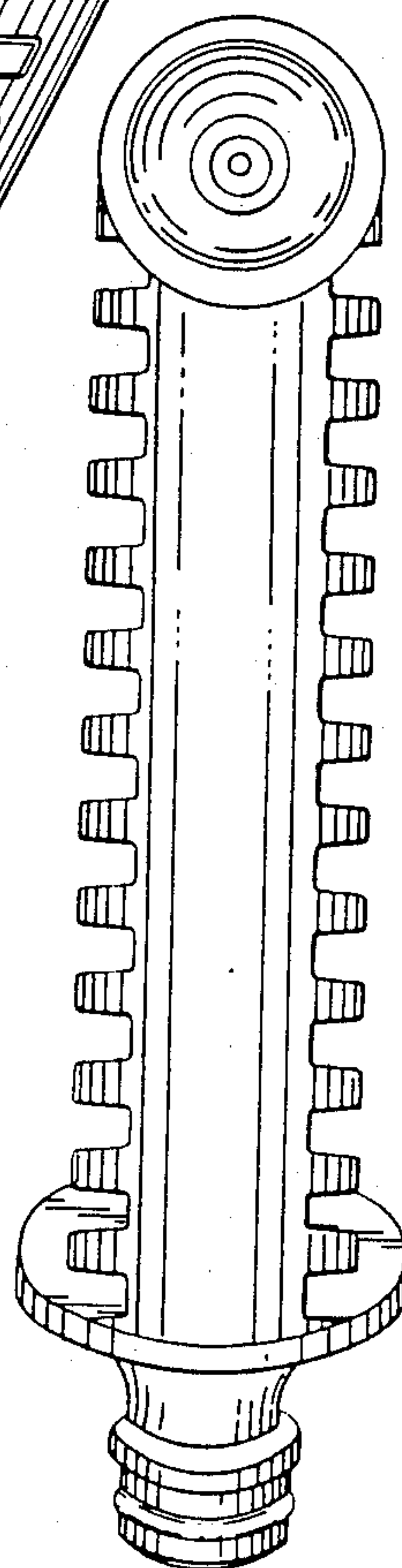


Fig. 4

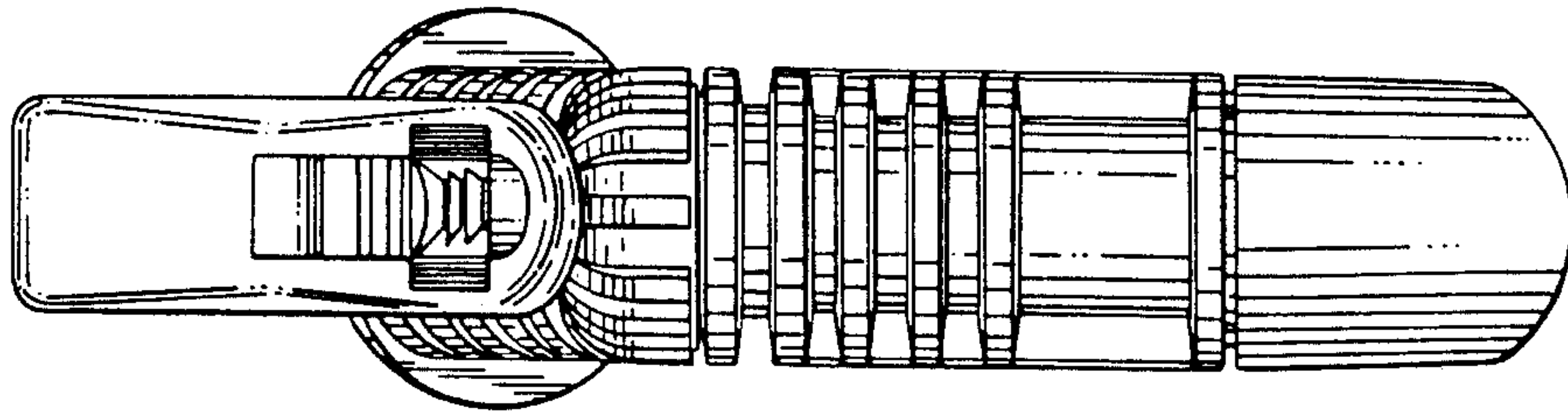


Fig. 5

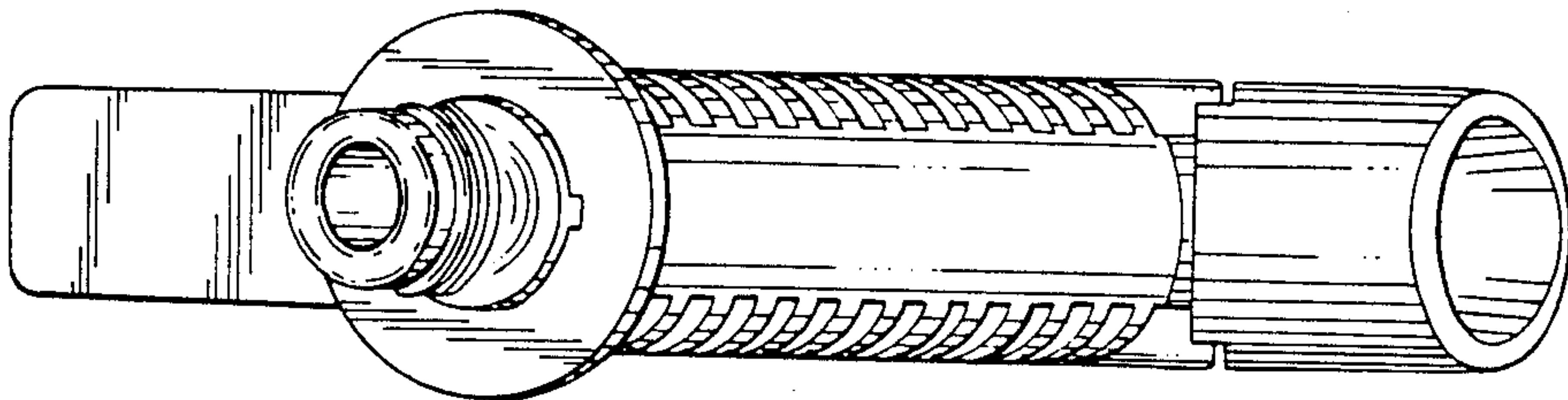




Fig. 6

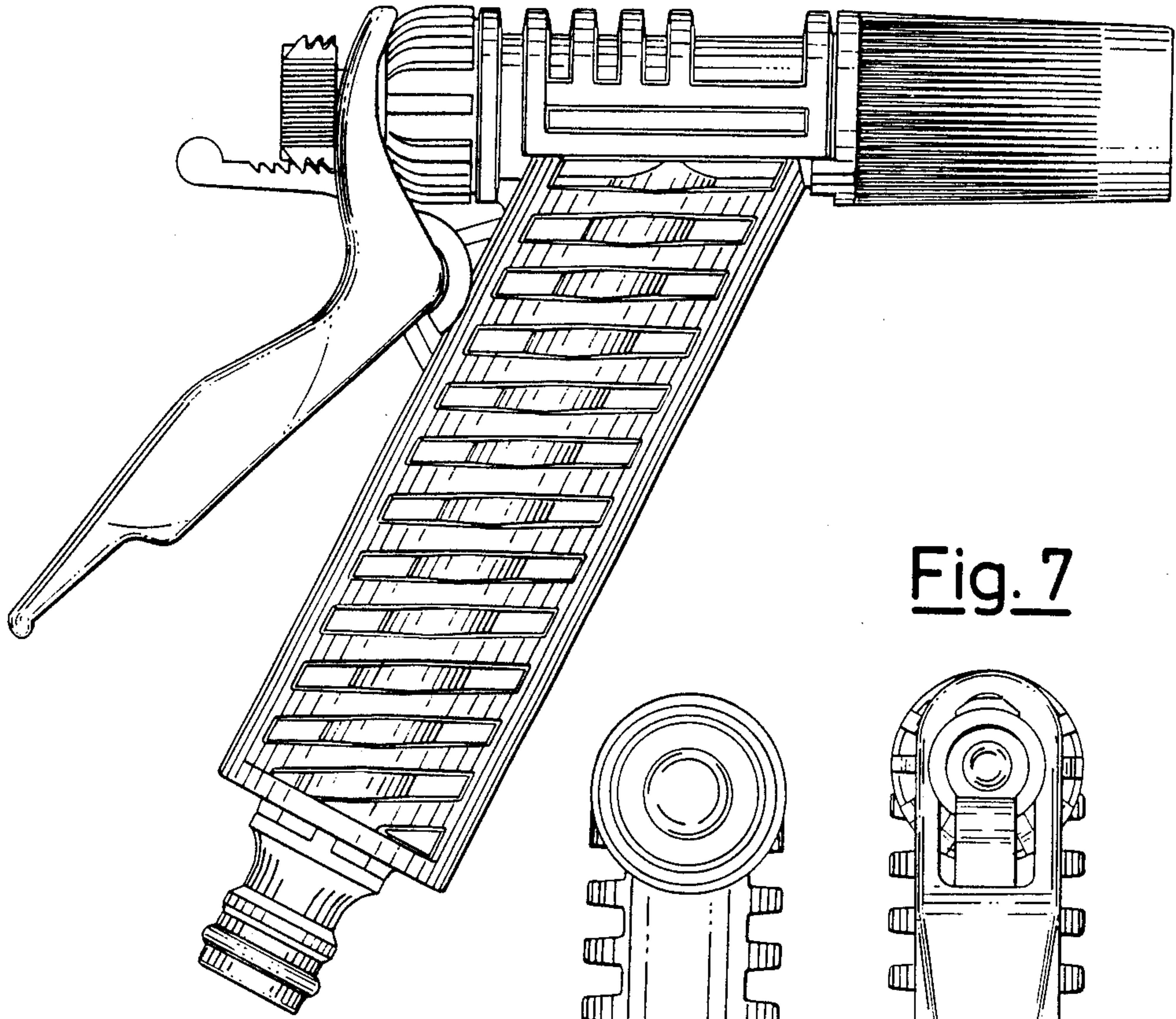


Fig. 7

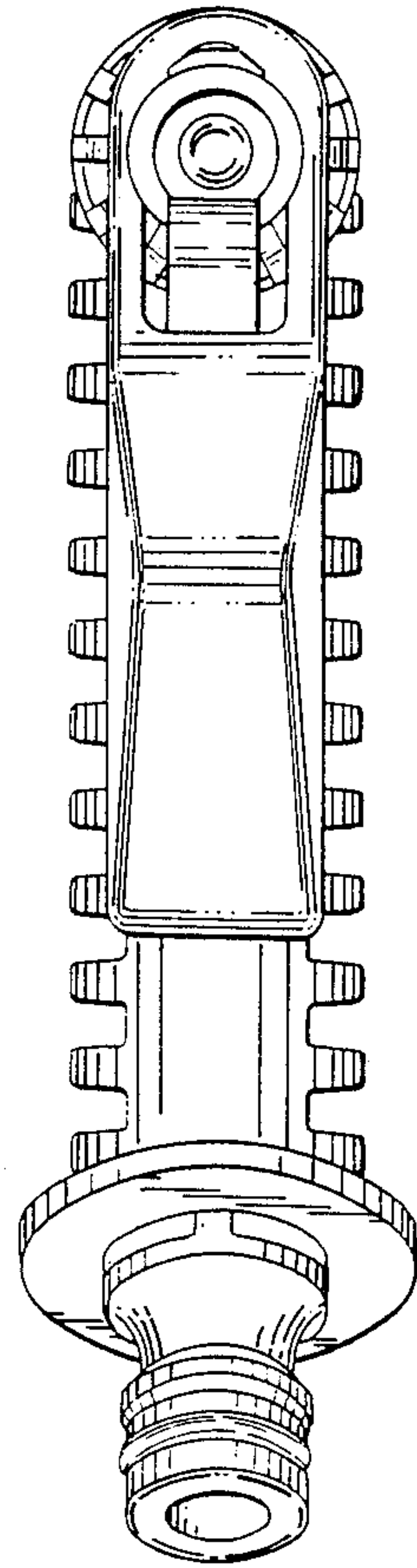


Fig. 8

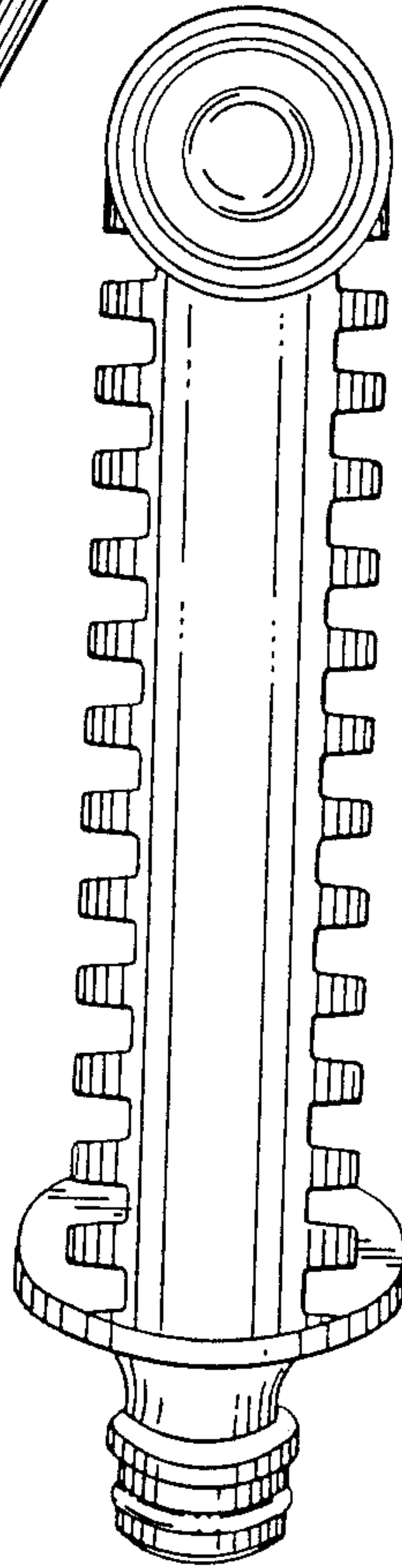


Fig. 9

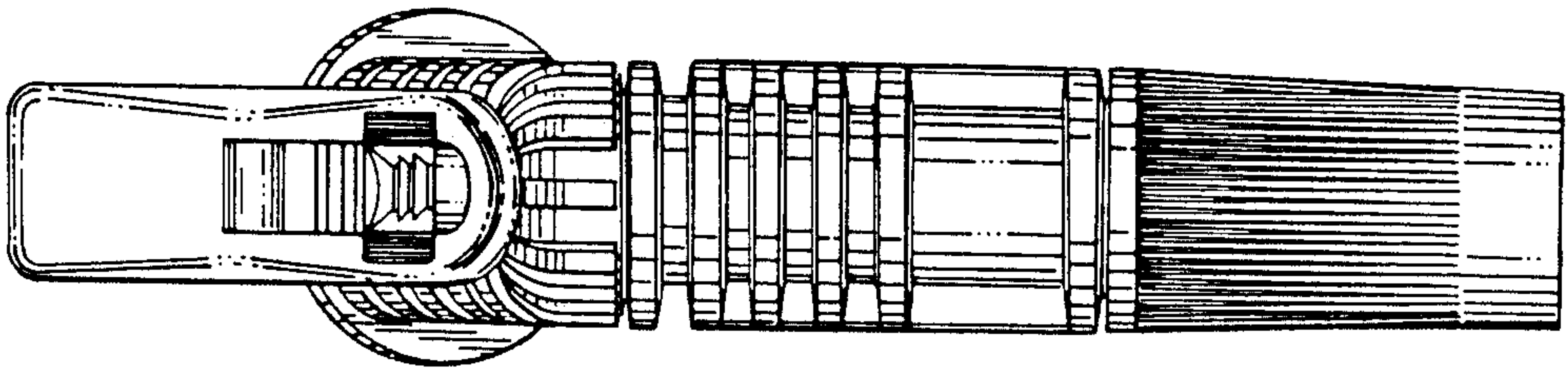


Fig. 10

