

[54] **CHEMICAL DISPENSER**

[76] **Inventor:** Virgil P. Kendrick, 10822 E. Revels Rd., Howey-in-the-Hills, Fla. 32737

[**] **Term:** 14 Years

[21] **Appl. No.:** 113,267

[22] **Filed:** Oct. 27, 1987

[52] **U.S. Cl. D23/213**

[58] **Field of Search D23/207, 208, 213, 223, D23/224, 225, 228, 229; 239/154, 310, 317, 318, 375, 526, 583; 222/133, 389, 562**

[56] **References Cited**

U.S. PATENT DOCUMENTS

D. 225,402	12/1972	Koblick	D23/213
D. 281,349	11/1985	Goldish	D23/223
2,198,998	4/1940	Honsberger	239/318 X
2,764,452	9/1956	Anderson et al.	239/310
3,640,465	2/1972	Hicks	239/583
4,102,500	7/1978	Luff	239/583 X

4,545,533 10/1985 Botnick 239/583 X

FOREIGN PATENT DOCUMENTS

368984 3/1932 United Kingdom 239/317

Primary Examiner—Susan J. Lucas

Assistant Examiner—M. H. Tung

Attorney, Agent, or Firm—William M. Hobby, III

[57] **CLAIM**

The ornamental design for a chemical dispenser, as shown and described.

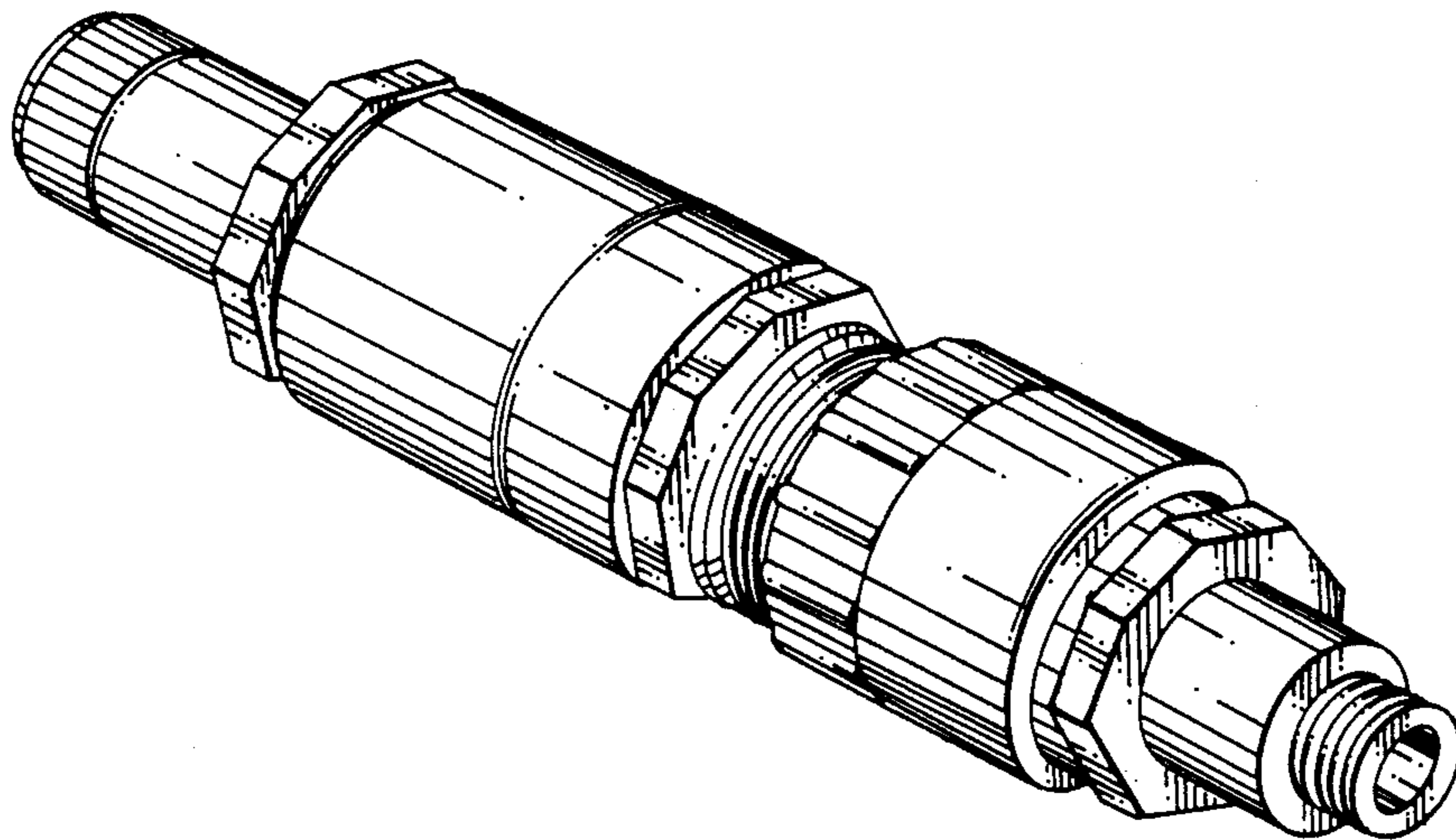
DESCRIPTION

FIG. 1 is a perspective view of a chemical dispenser showing my new design;

FIG. 2 is a front end elevational view thereof, on an enlarged scale;

FIG. 3 is a rear end elevational view thereof, on an enlarged scale; and

FIG. 4 is a side elevational view thereof, the opposite side being a mirror image.



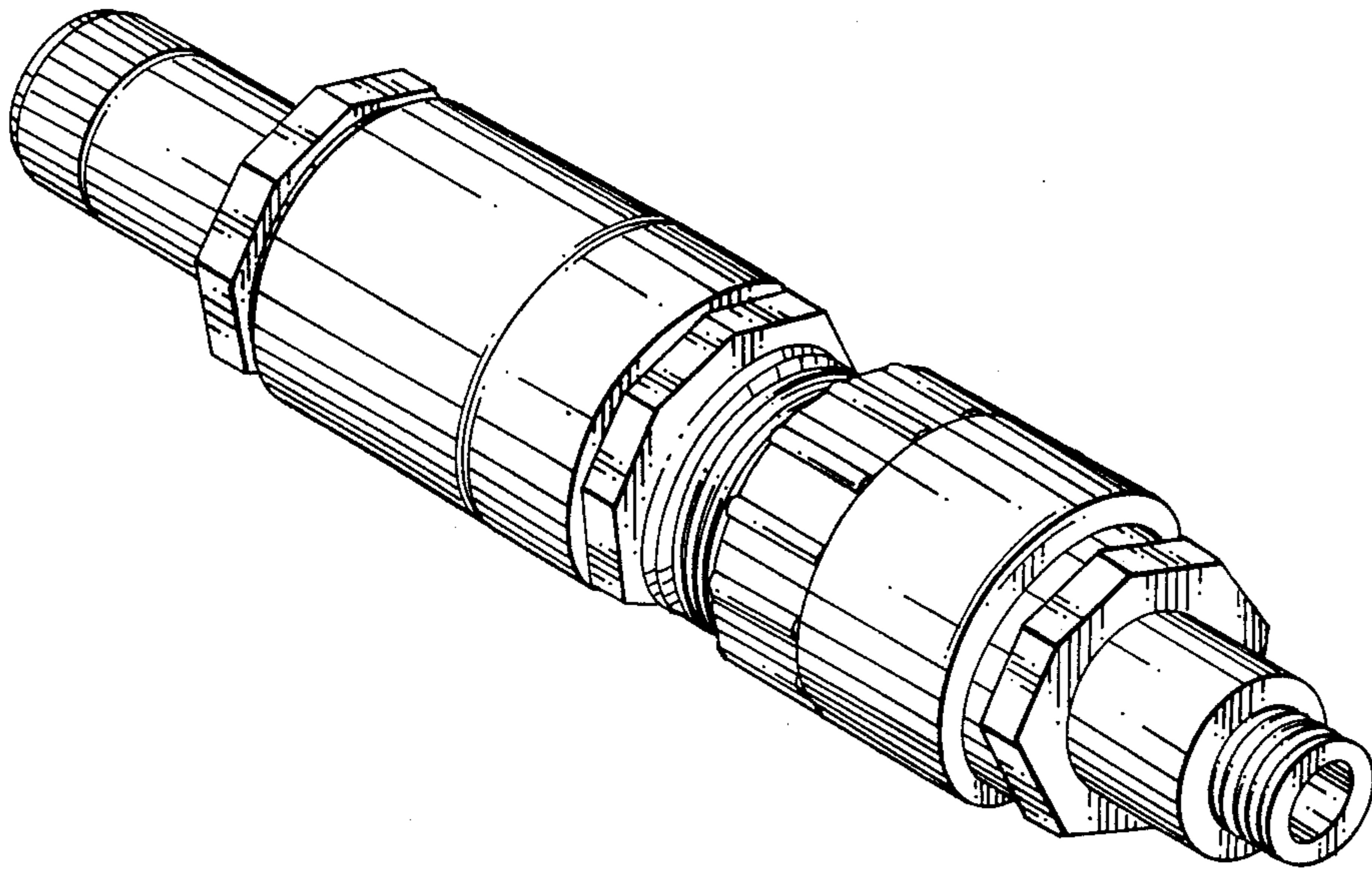


FIG. 1

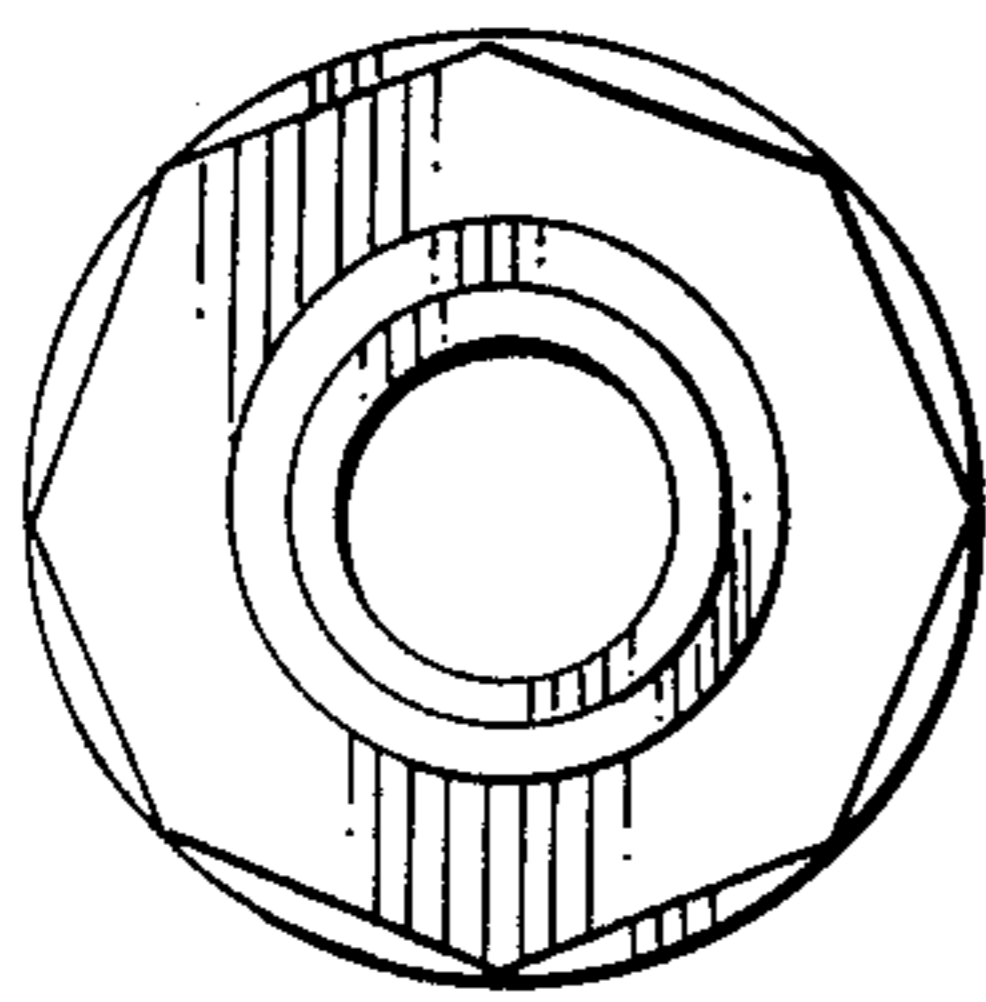


FIG. 2

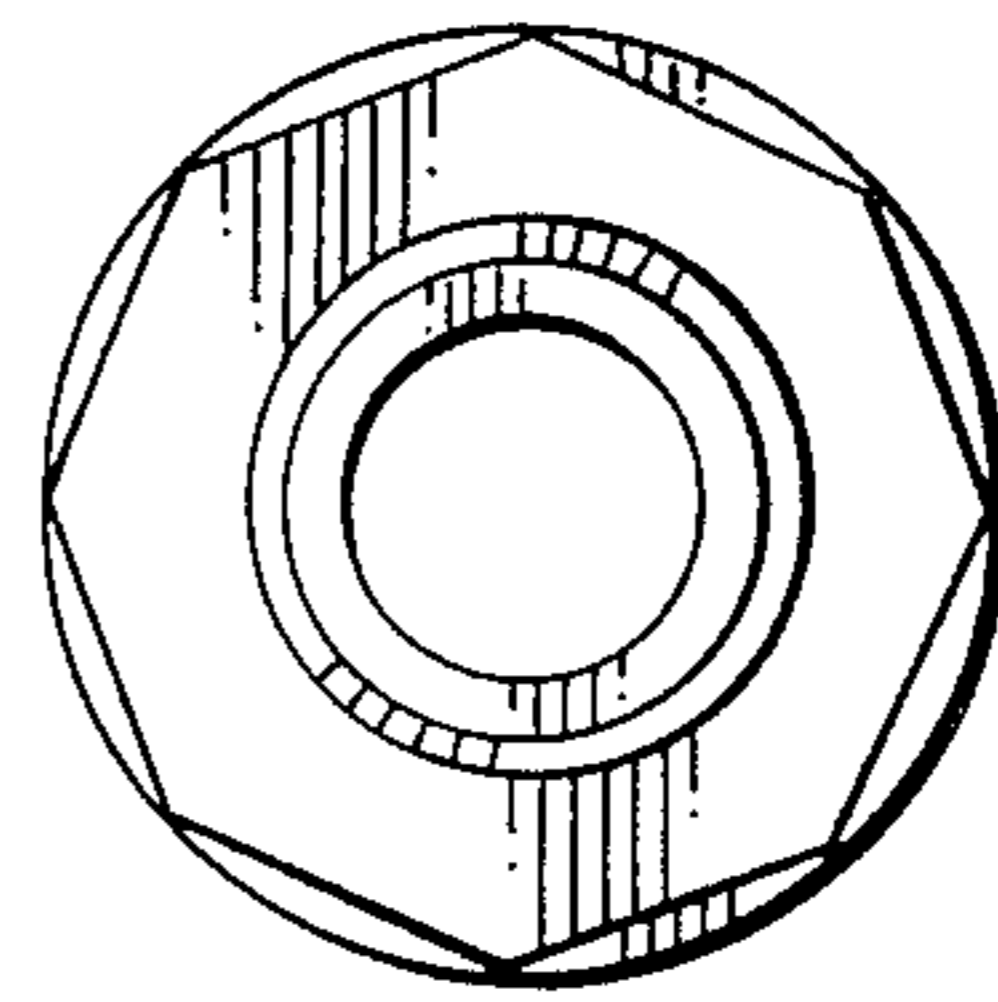


FIG. 3

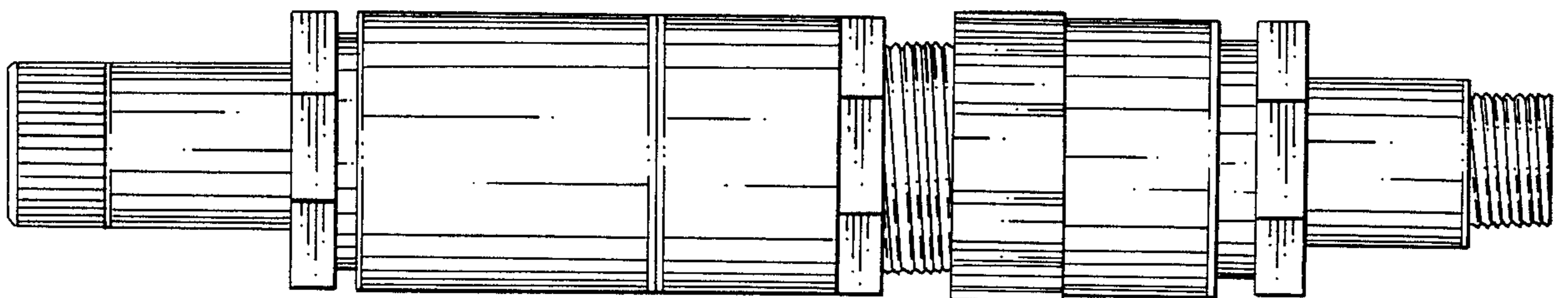


FIG. 4