

United States Patent [19]

Chalberg et al.

[11] Patent Number: Des. 309,652

[45] Date of Patent: ** Jul. 31, 1990

[54] DISPENSER FOR LAWN CARE CHEMICALS OR THE LIKE

[75] Inventors: Philip E. Chalberg, Costa Mesa; Katsumi Kawato, Woodland Hills, both of Calif.

[73] Assignee: Martech Enterprises, Inc., Santa Ana, Calif.

[**] Term: 14 Years

[21] Appl. No.: 901,179

[22] Filed: Aug. 27, 1986

[52] U.S. Cl. D23/207

[58] Field of Search D23/200, 207, 213-222; 239/310, 312, 317, 318; 137/101.11, 205.5, 268

[56] References Cited

U.S. PATENT DOCUMENTS

- D. 168,249 11/1952 Atkinson D23/207
- D. 173,603 12/1954 Atkinson D23/207
- D. 182,203 2/1958 Riskin D23/207

- D. 236,616 9/1975 Stueky D23/207
- D. 260,116 8/1981 Hattori et al. D23/207
- 2,135,969 11/1938 Donaldson 239/310 X
- 3,933,169 1/1976 Halley 239/310 X
- 4,199,001 4/1980 Kratz 137/268
- 4,340,078 7/1982 Pasley 239/310 X
- 4,340,179 7/1982 Knapp 239/310

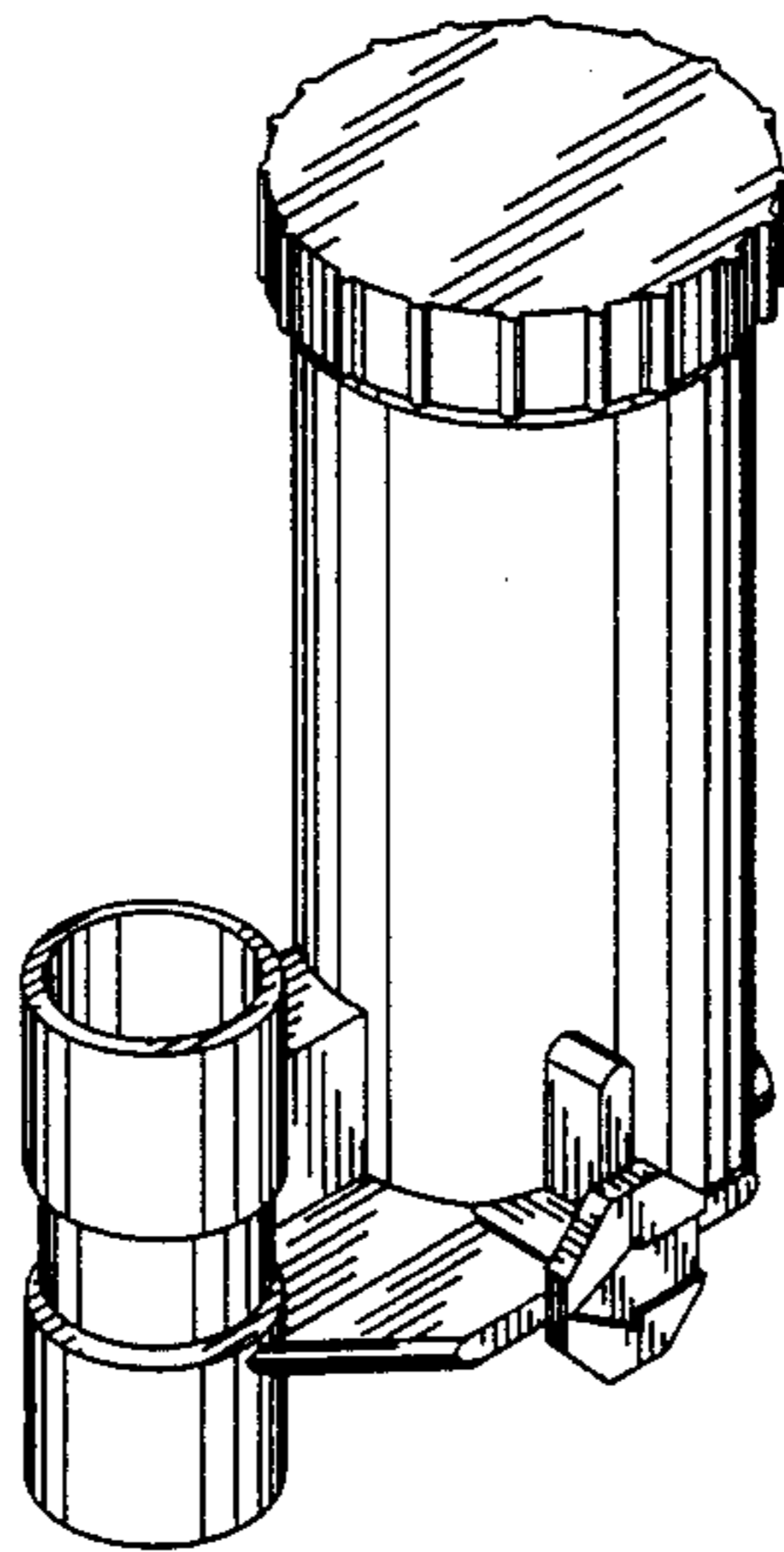
Primary Examiner—James R. Largen
Attorney, Agent, or Firm—Leonard Tachner

[57] CLAIM

The ornamental design for dispenser for lawn care chemical or the like, as shown and described.

DESCRIPTION

FIG. 1 is an isometric view of a dispenser for lawn care chemicals or the like showing our new design; FIG. 2 is a left side elevational view thereof; FIG. 3 is a right side elevational view thereof; FIG. 4 is a front elevational view thereof; FIG. 5 is a rear elevational view thereof; FIG. 6 is a top plan view thereof; and FIG. 7 is a bottom plan view thereof.



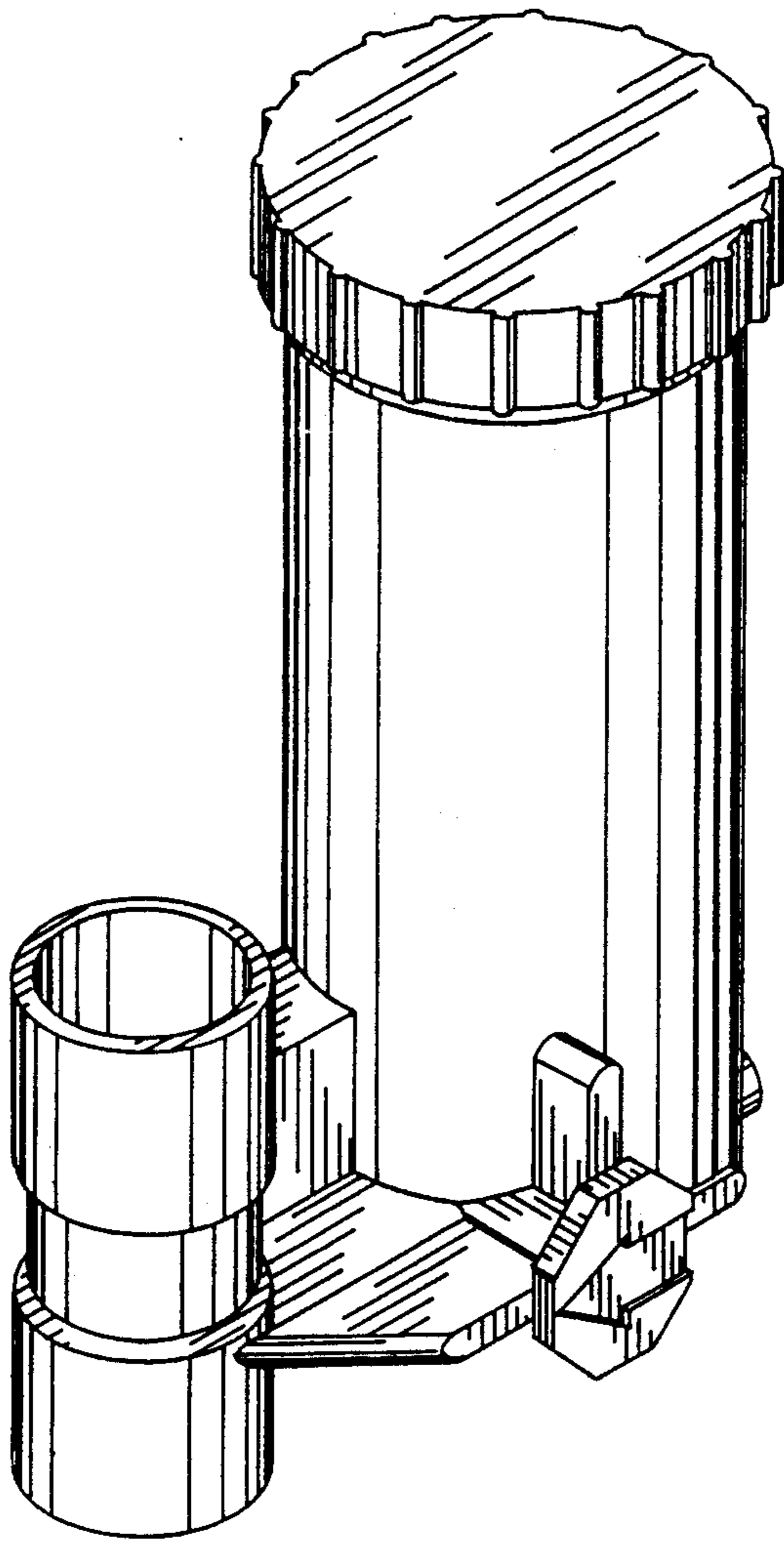


FIG. 1

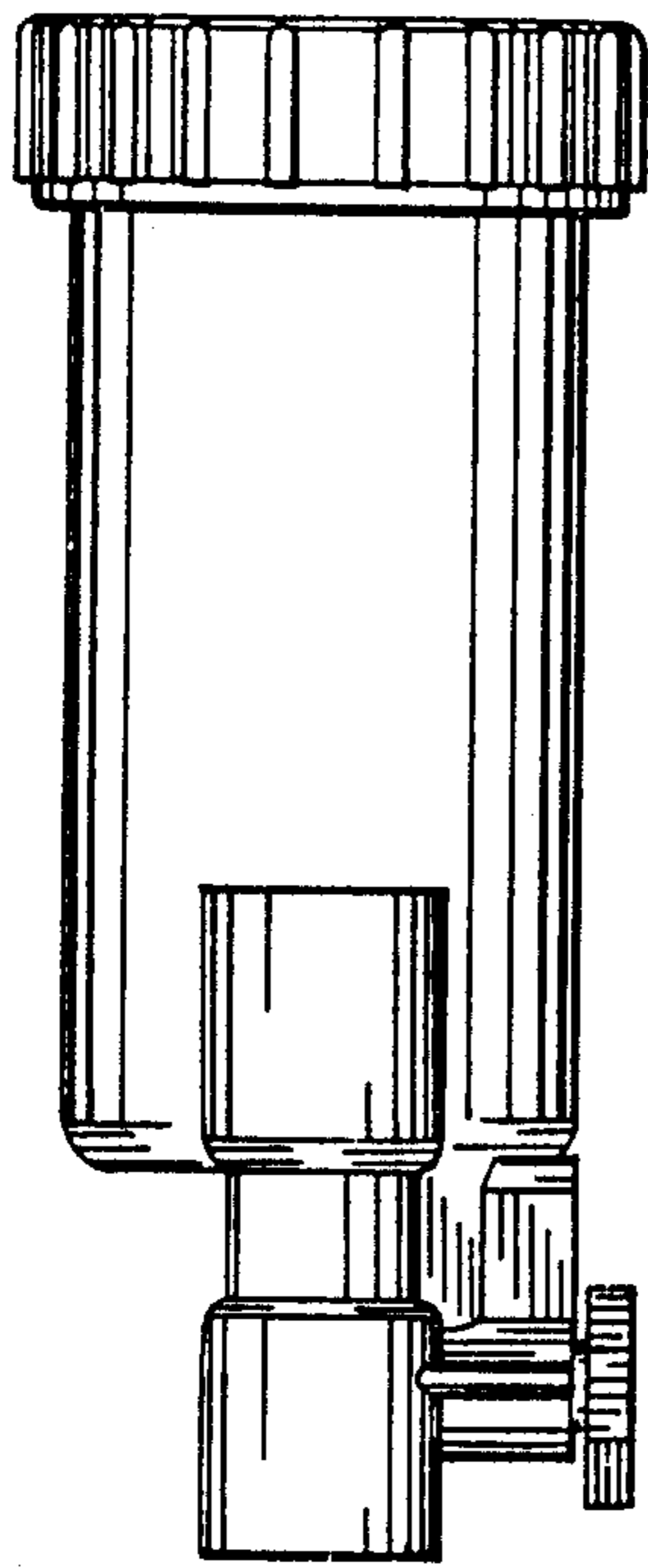


FIG. 2

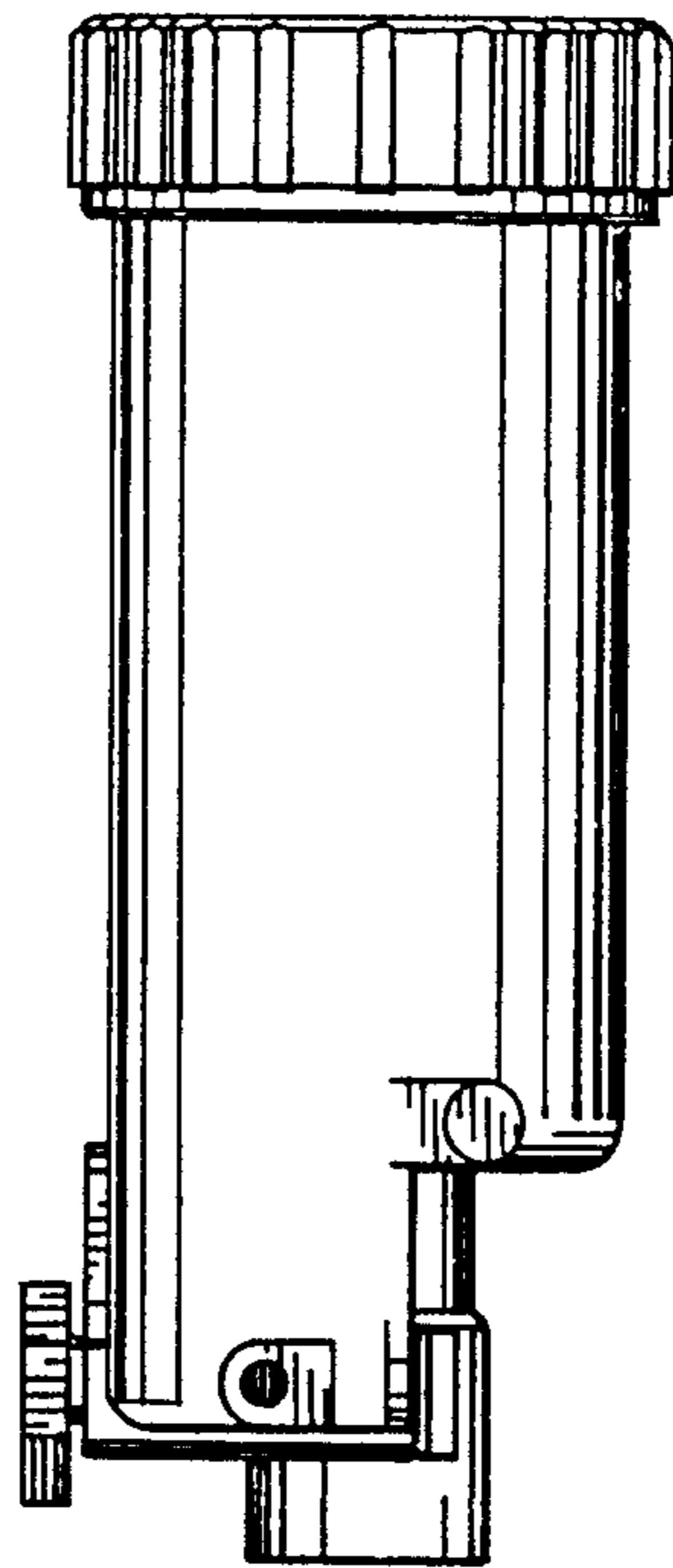


FIG. 3

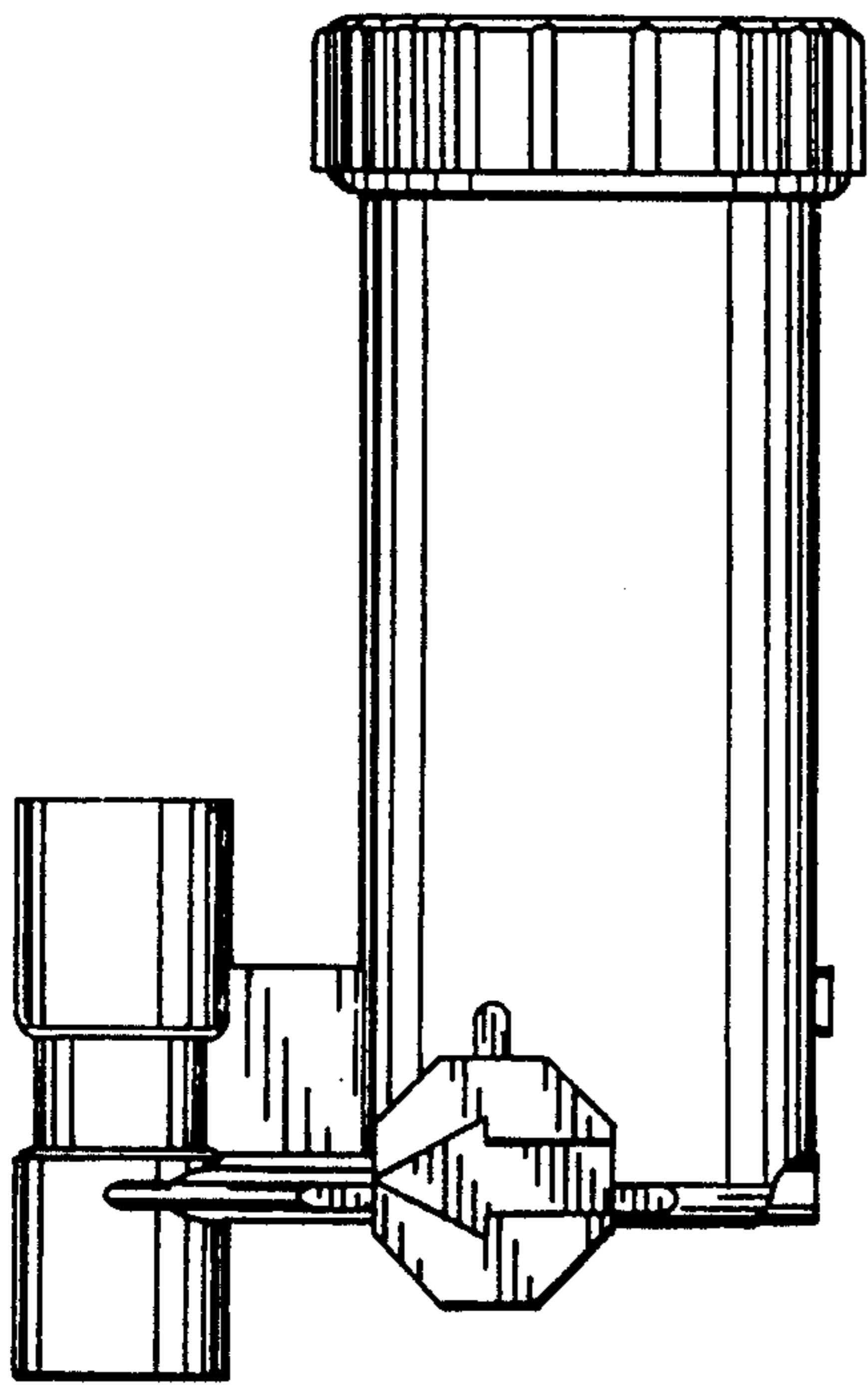


FIG. 4

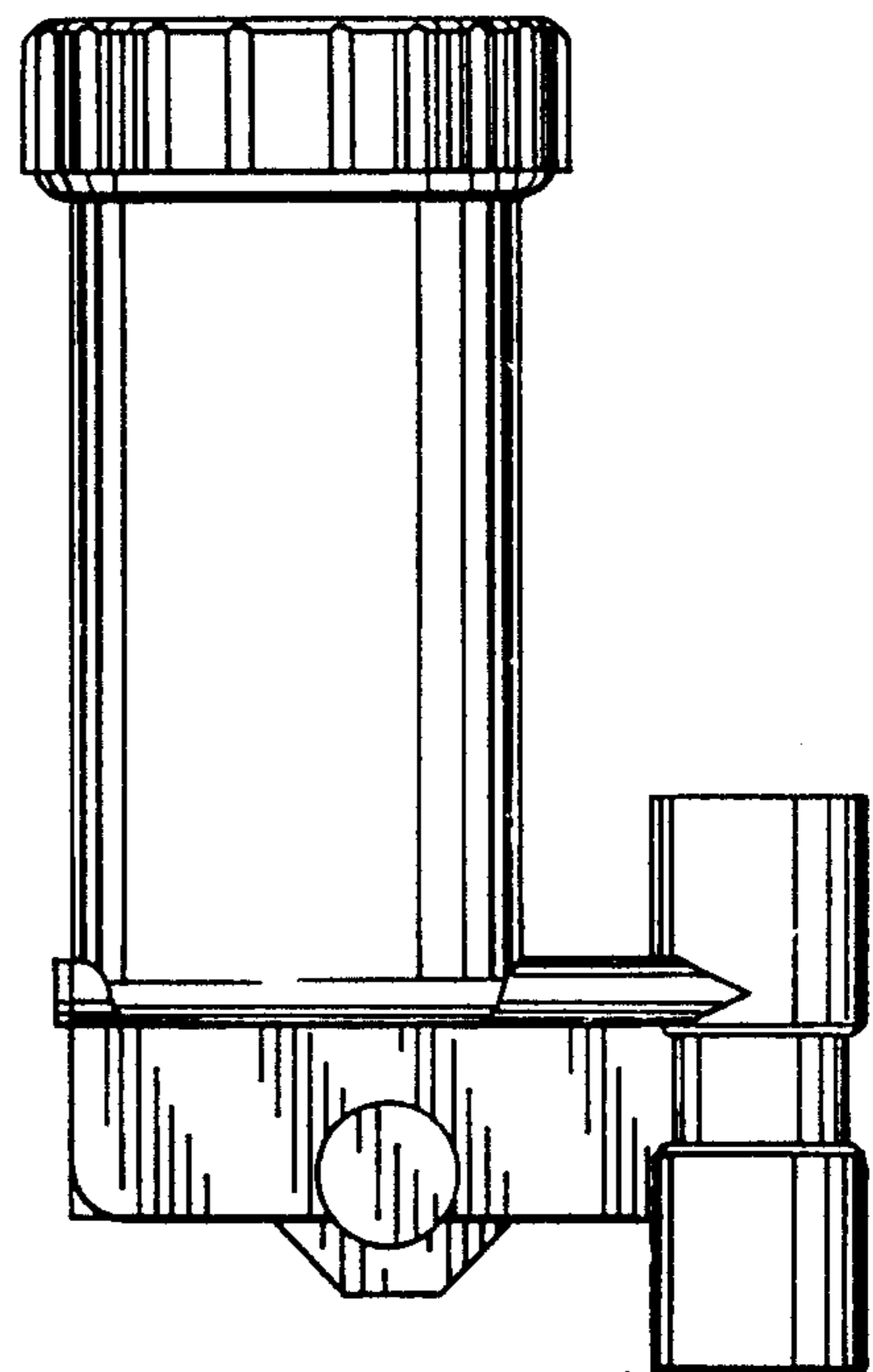


FIG. 5

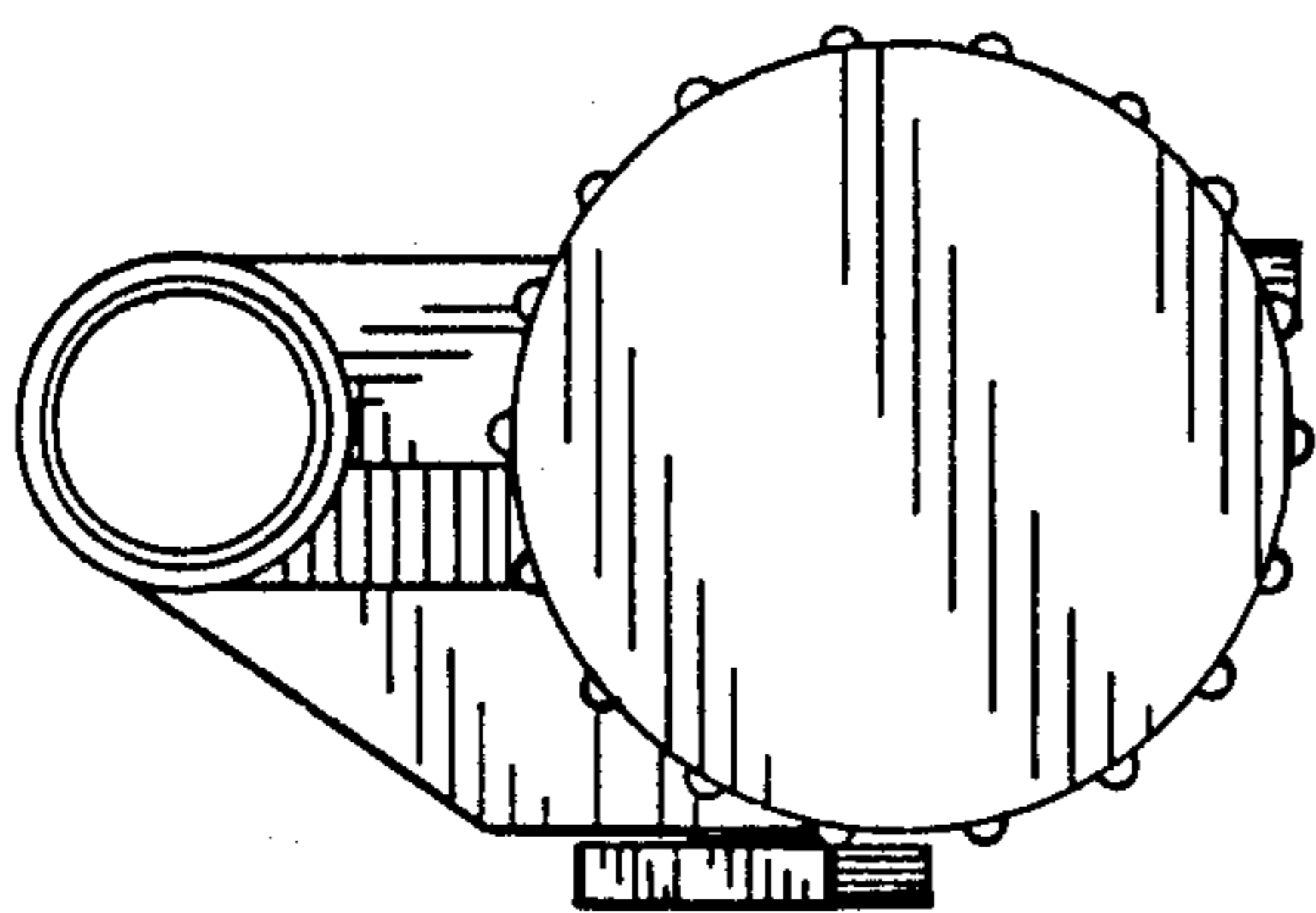


FIG. 6

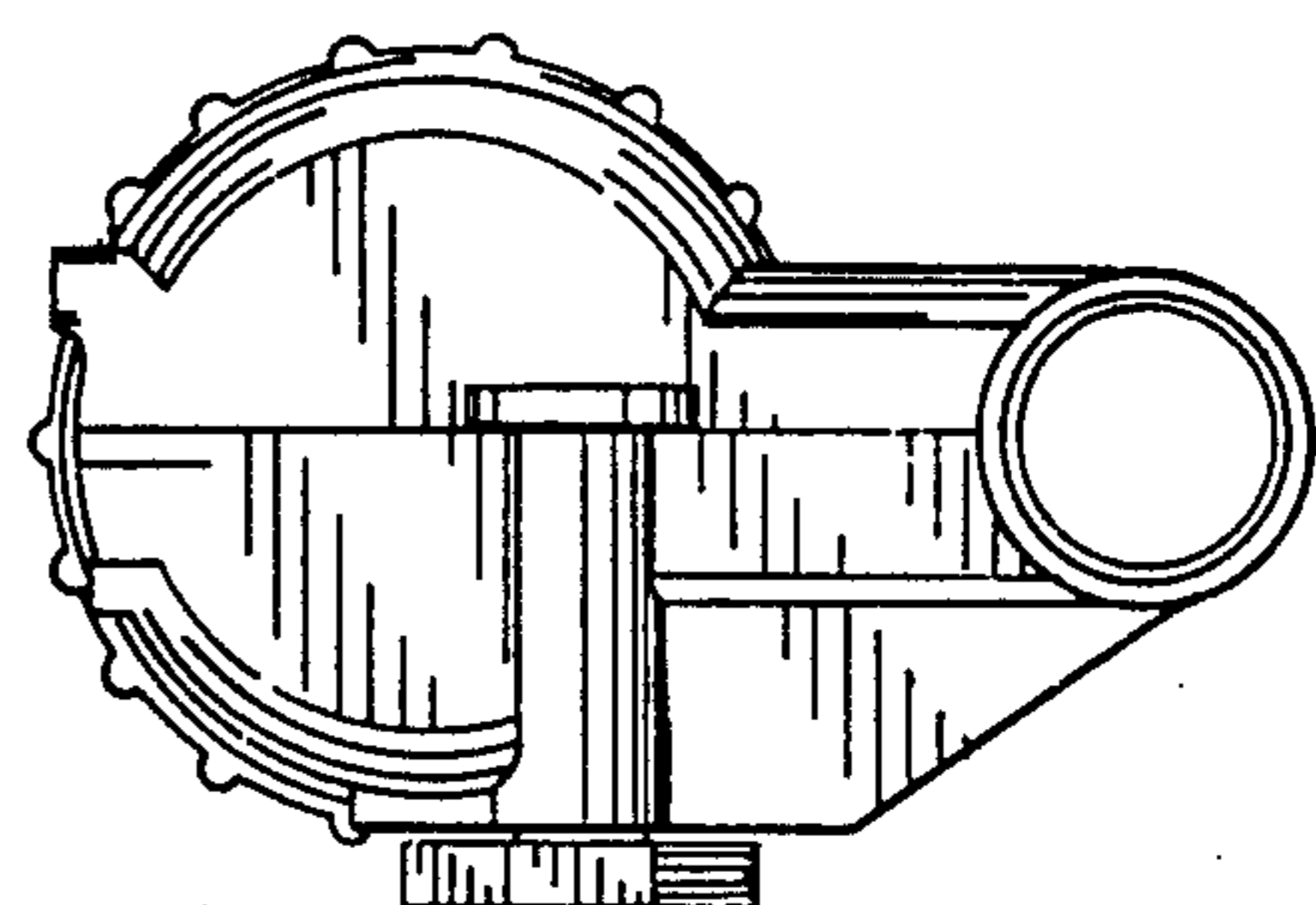


FIG. 7