

[54] **OBJECT SNATCHING GAME DEVICE**

[75] **Inventor: Mitsunori Noshiro, Tokyo, Japan**
[73] **Assignee: Tomy Company, Ltd., Tokyo, Japan**

[**] **Term: 14 Years**

[21] **Appl. No.: 167,413**

[22] **Filed: Mar. 14, 1988**

[30] **Foreign Application Priority Data**

Sep. 28, 1987 [JP] Japan 62-39553
[52] **U.S. Cl.** **D21/206; D21/59**
[58] **Field of Search** **D21/210, 206, 7, 2,**
D21/11, 27; 273/129 K, 64

[56]

References Cited

U.S. PATENT DOCUMENTS

D. 268,510 4/1983 Gallagher D21/59
1,865,173 6/1932 Dickerman D21/2
3,953,935 5/1976 Reiner et al. 446/26

Primary Examiner—Charles A. Rademaker
Assistant Examiner—Alicia A. Farrell
Attorney, Agent, or Firm—Staas & Halsey

[57]

CLAIM

The ornamental design for an object snatching game device, as shown.

DESCRIPTION

FIG. 1 is a front elevational view of an object snatching game device showing my new design; FIG. 2 is a rear elevational view thereof; FIG. 3 is a right-side elevational view thereof; FIG. 4 is a left-side elevational view thereof; FIG. 5 is a top plan view thereof; and FIG. 6 is a bottom plan view thereof.

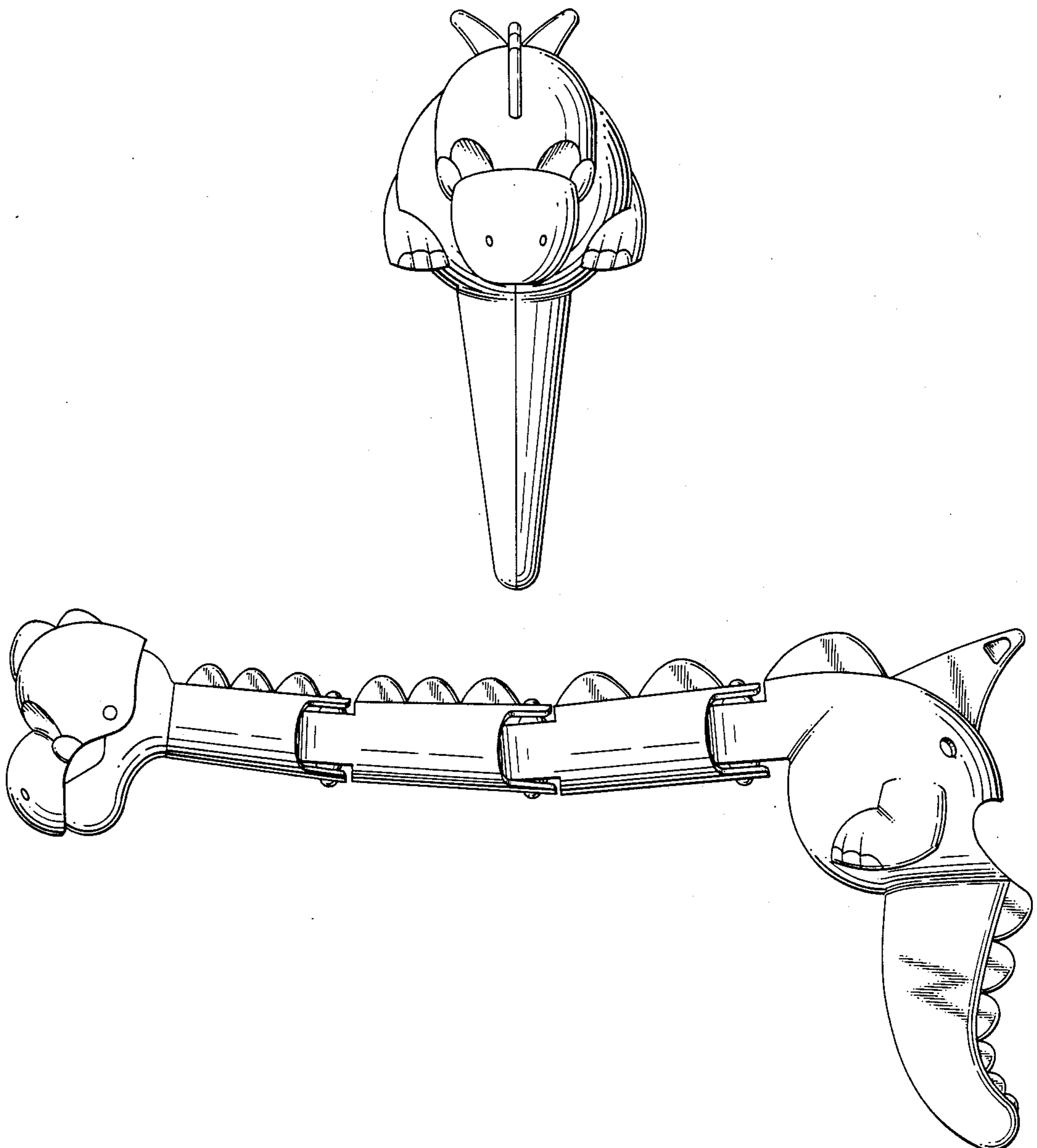


FIG. 2

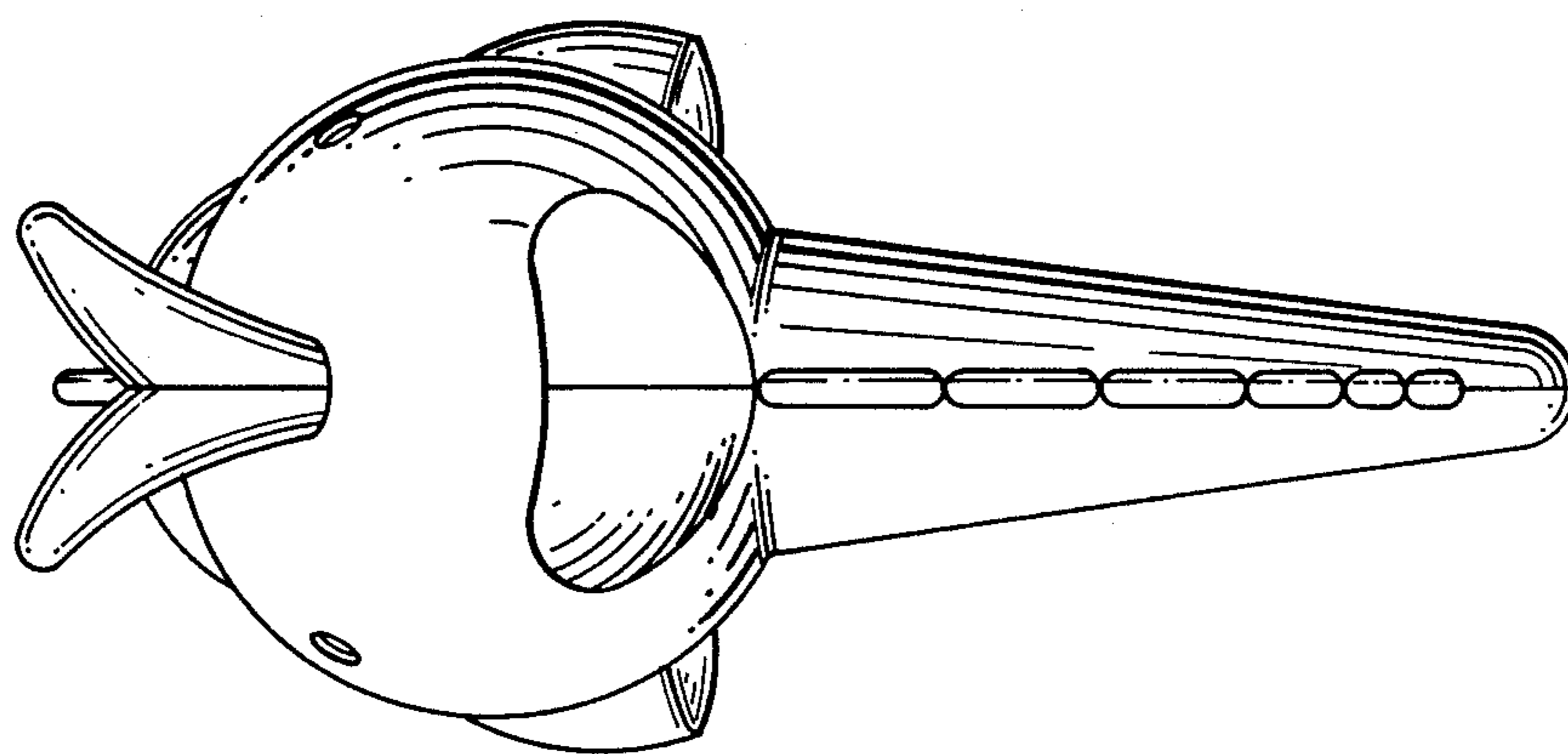


FIG. 1

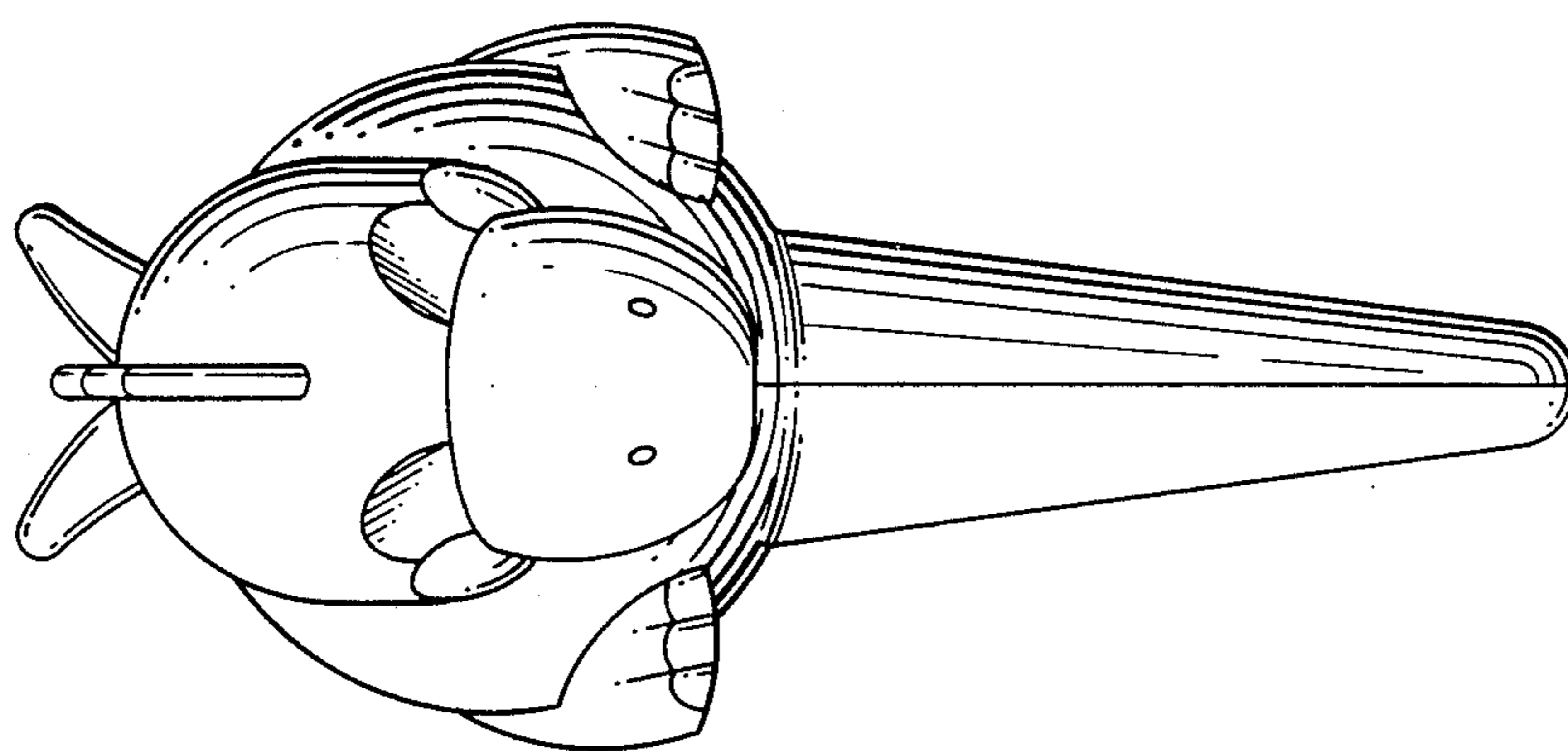


FIG. 3

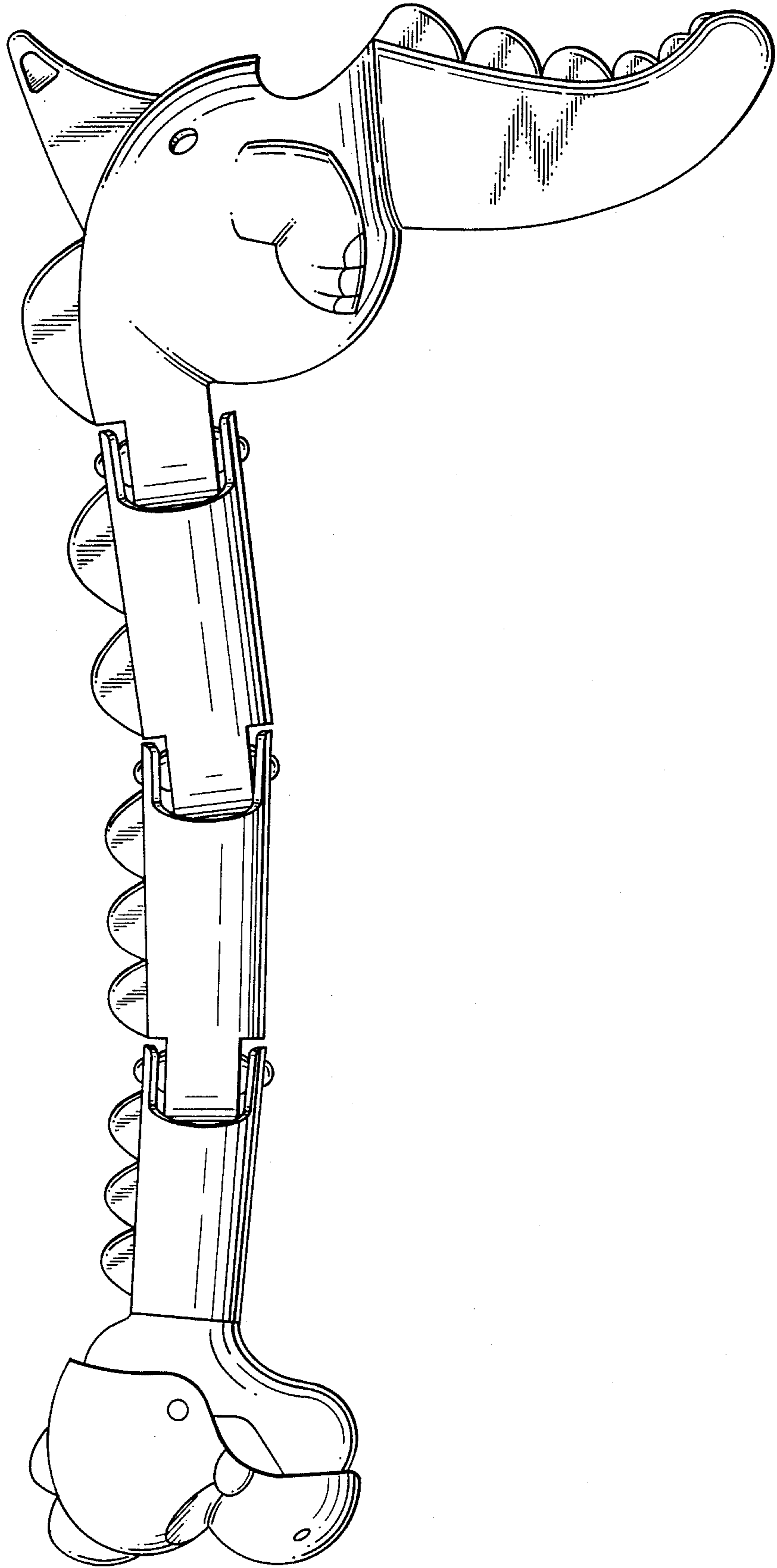


FIG. 4

