

[54] FISHING REEL BODY

[75] Inventors: Yasuhisa Kameda; Toshiaki Yoshikawa, both of Musashino, Japan

[73] Assignee: Daiwa Seiko, Inc., Tokyo, Japan

[**] Term: 14 Years

[21] Appl. No.: 189,606

[22] Filed: May 2, 1988

[30] Foreign Application Priority Data

Nov. 9, 1987 [JP] Japan 62-45709

[52] U.S. Cl. D22/141

[58] Field of Search D22/140, 141; 242/230, 242/231, 232

[56] References Cited

U.S. PATENT DOCUMENTS

- D. 253,840 1/1980 Hiraishi D22/141
- D. 281,346 11/1985 Iinuma et al. D22/141
- D. 283,721 5/1986 Iinuma et al. D22/141
- D. 291,109 7/1987 Myojo D22/141

D. 300,054 2/1989 Hiraishi et al. D22/141

Primary Examiner—A. Hugo Word
Assistant Examiner—Doris V. Coles
Attorney, Agent, or Firm—Cushman, Darby & Cushman

[57] CLAIM

The ornamental design for a fishing reel body, as shown and described.

DESCRIPTION

FIG. 1 is a top, rear and one side perspective view of a fishing reel body showing our new design;
 FIG. 2 is a top, front and the opposite side perspective view thereof;
 FIG. 3 is a side elevational view of one side thereof;
 FIG. 4 is a side elevational view of the opposite side thereof;
 FIG. 5 is a top plan view thereof;
 FIG. 6 is a bottom view thereof;
 FIG. 7 is a front elevational view thereof; and
 FIG. 8 is a rear elevational view thereof.
 The broken line showing of the remaining parts of a fishing reel is for illustrative purposes only and forms no part of the claimed design.

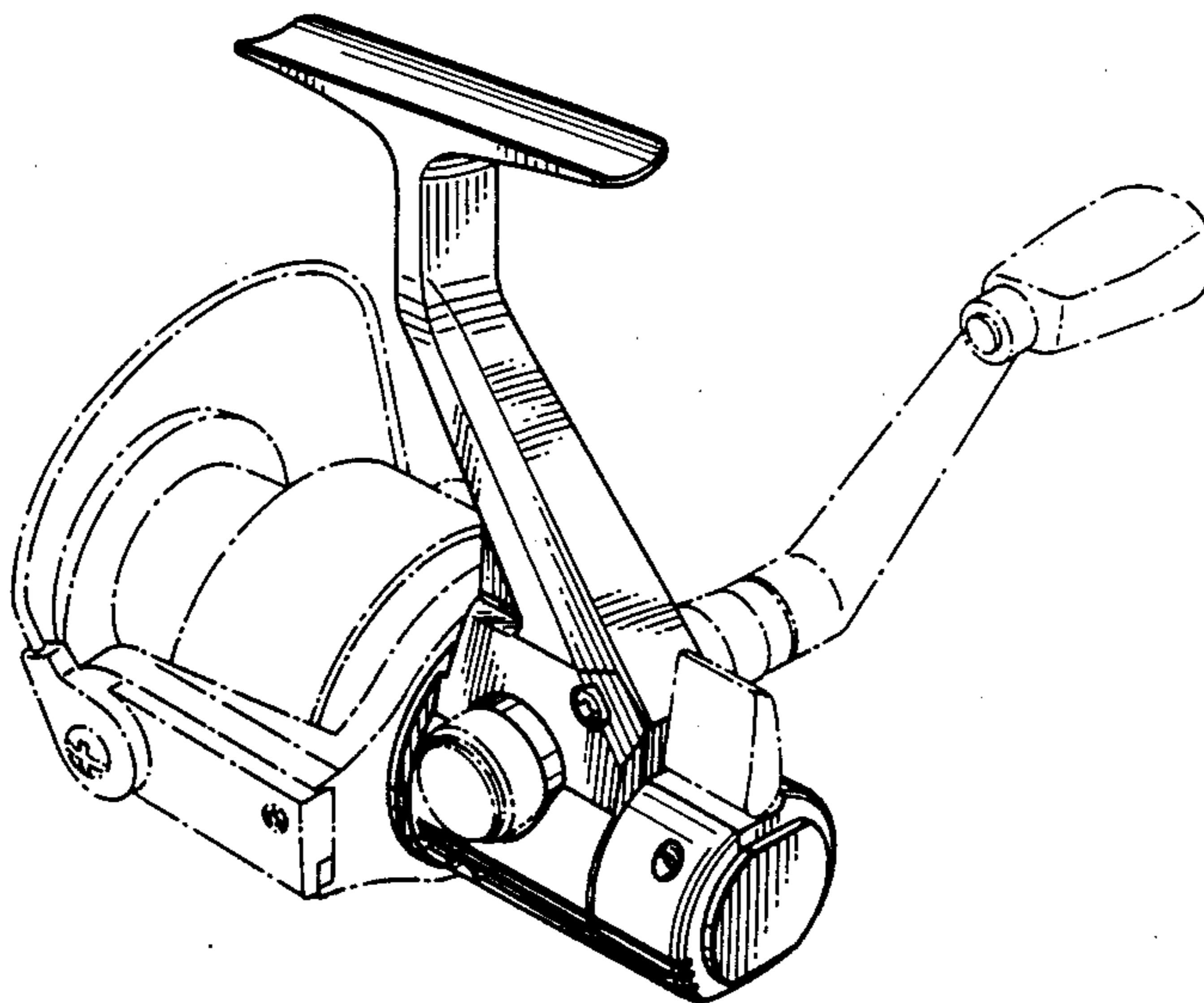


Fig. 1

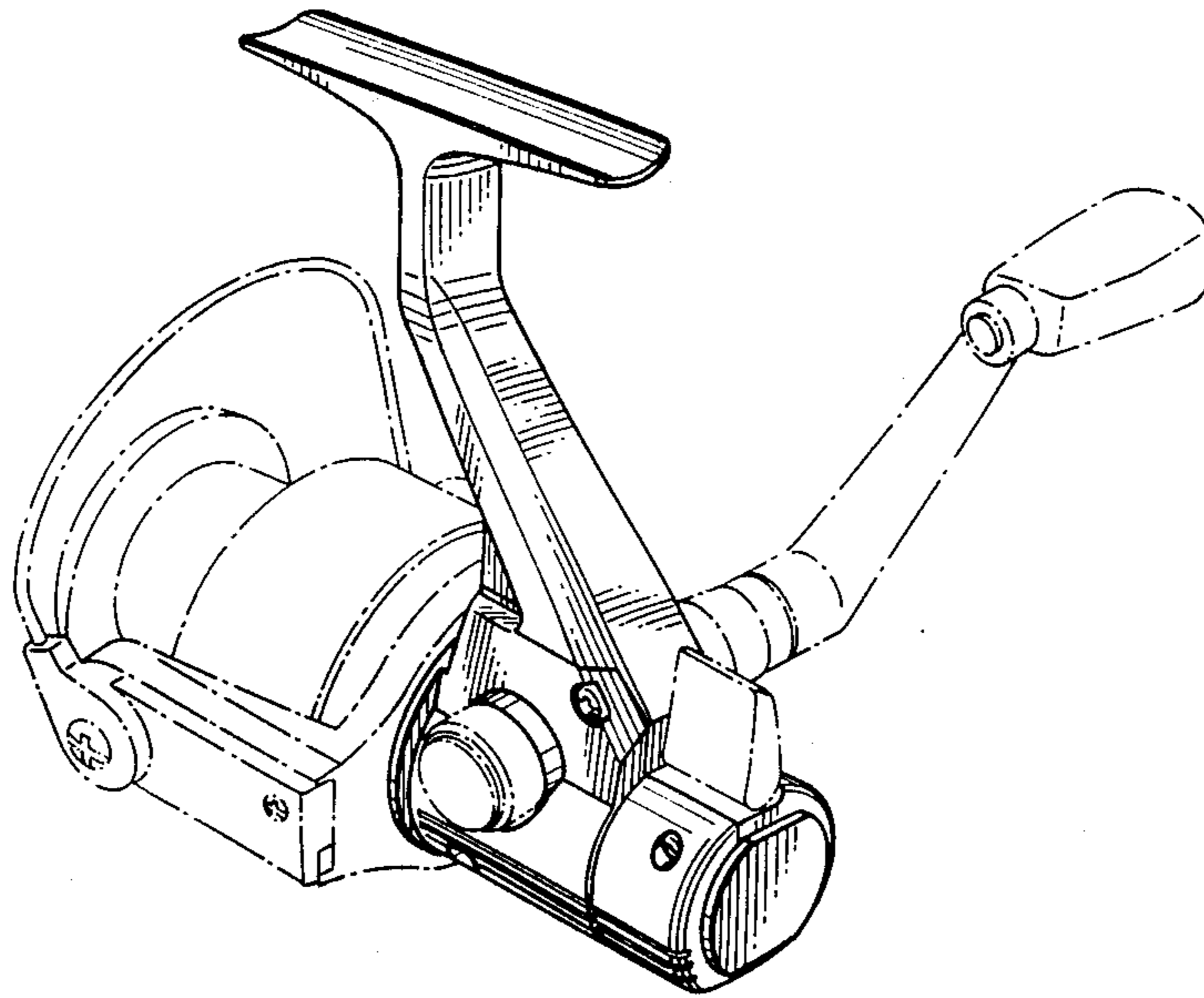


Fig. 2

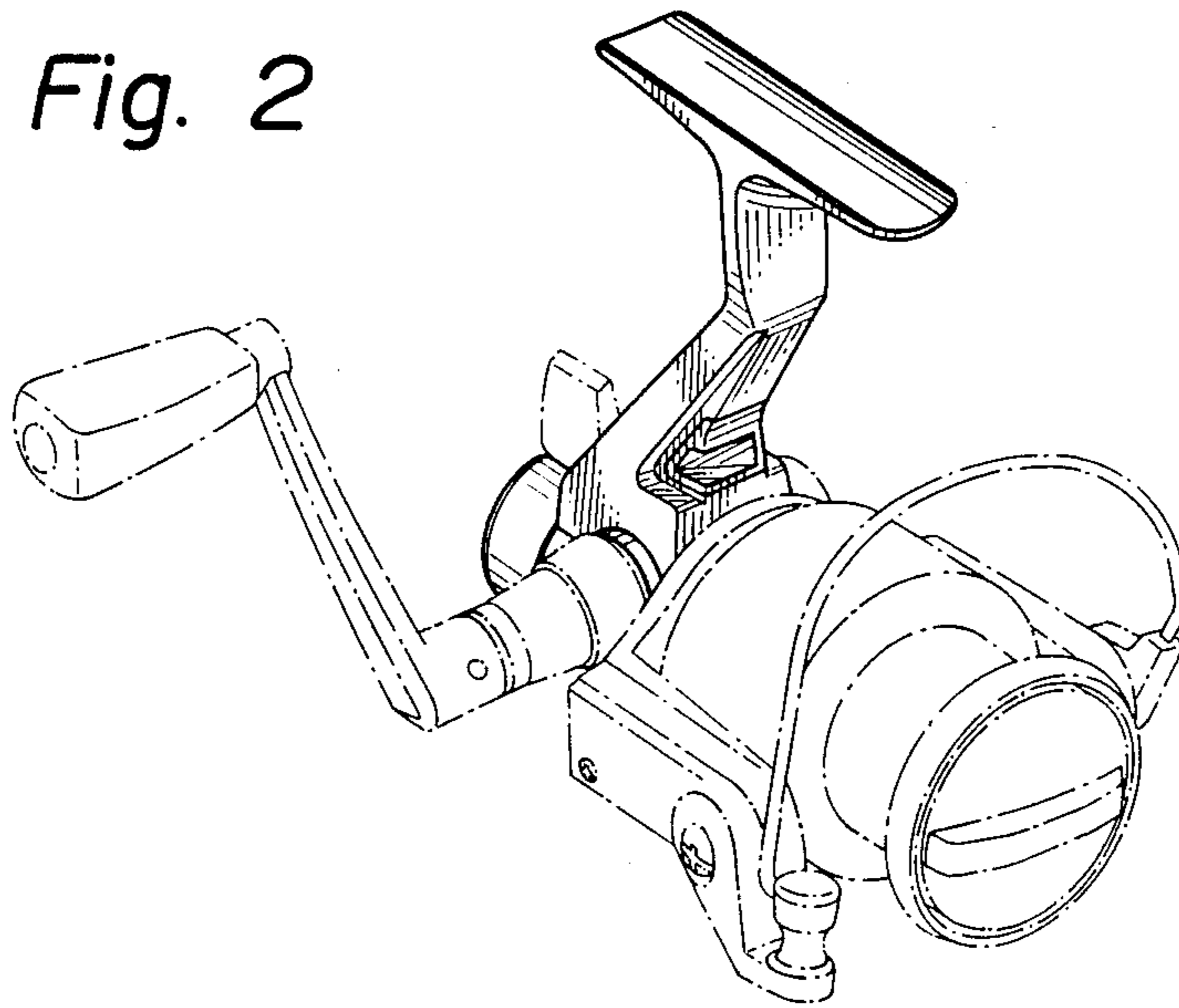


Fig. 3

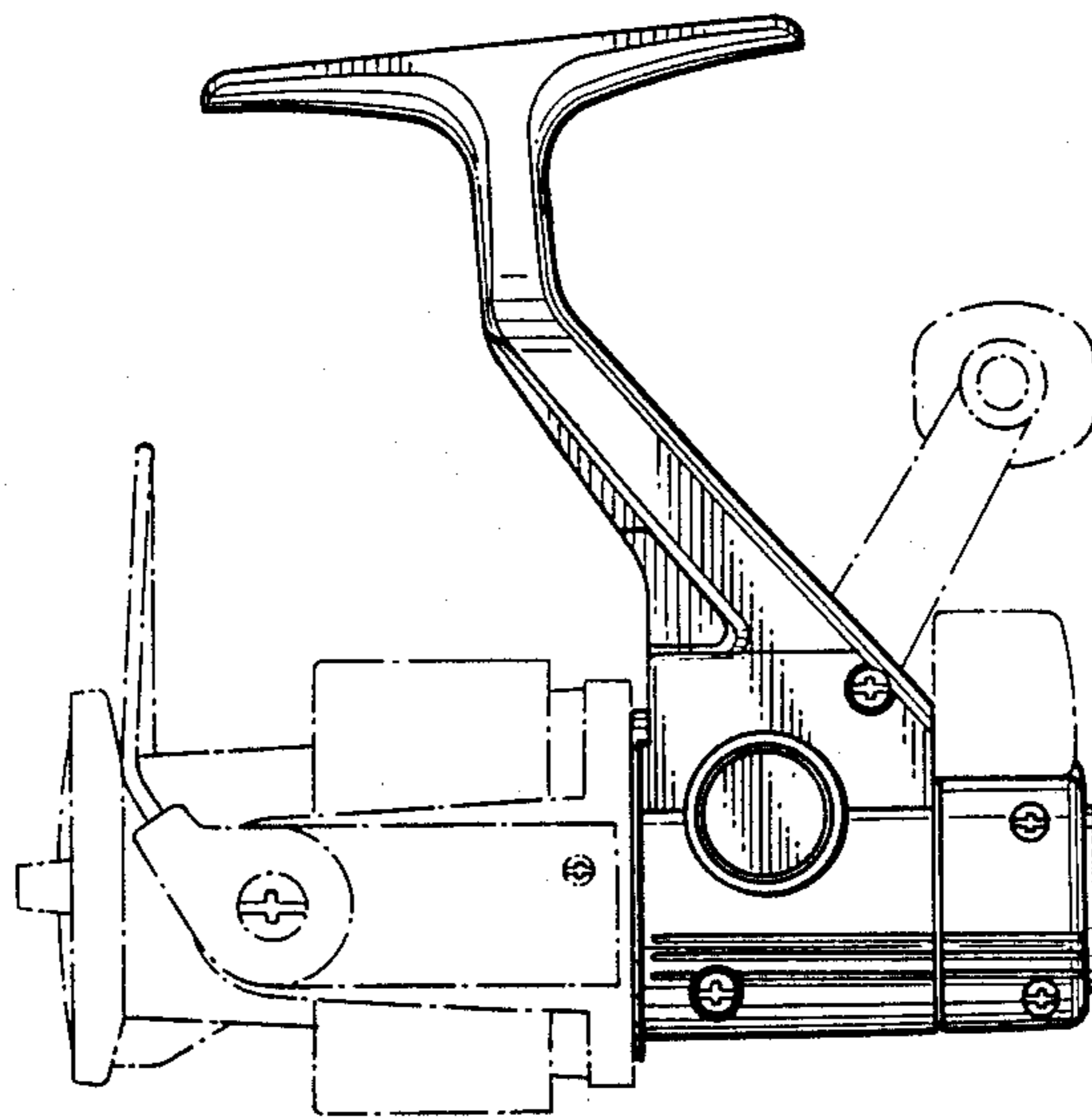


Fig. 4

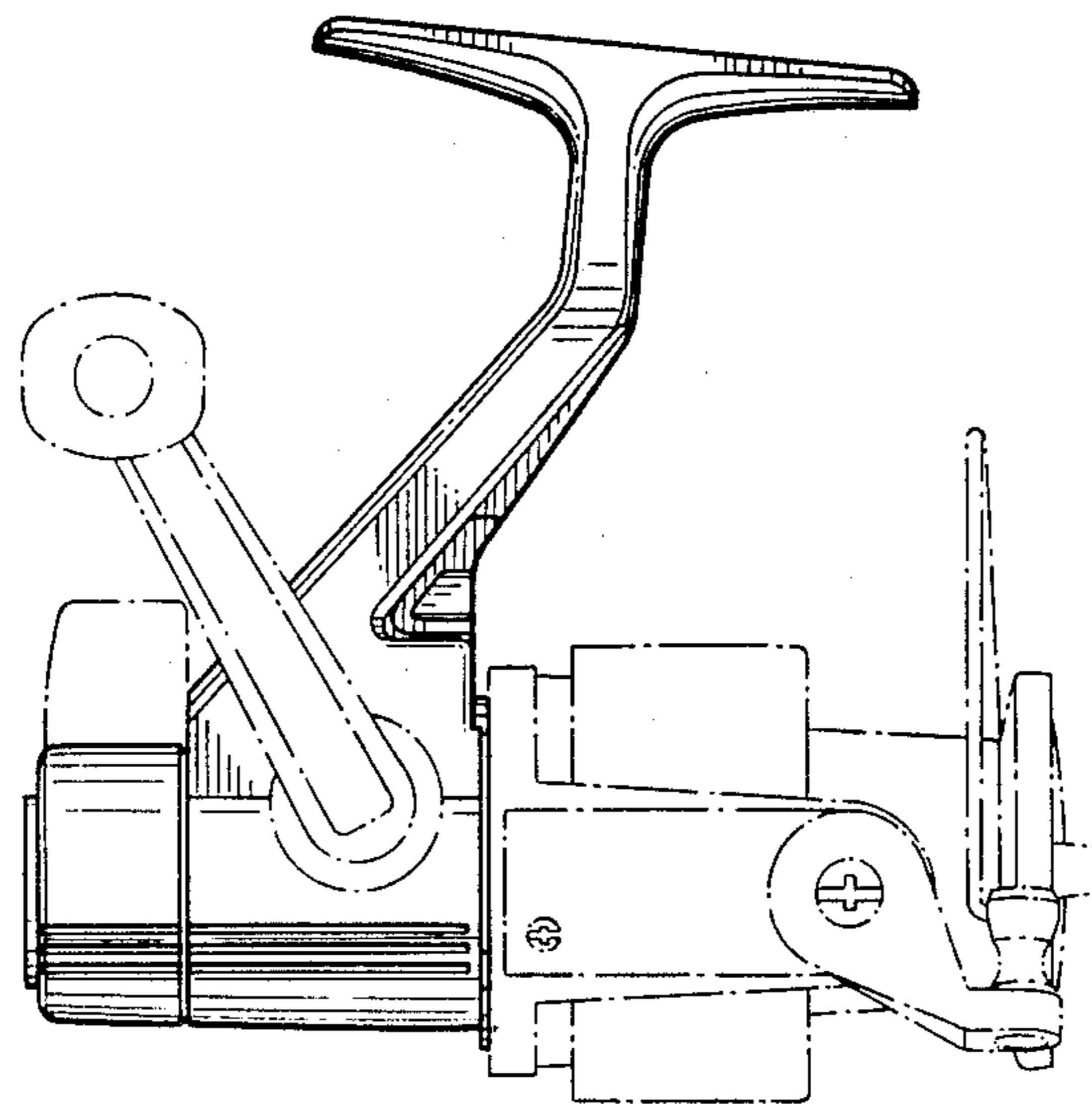


Fig. 5

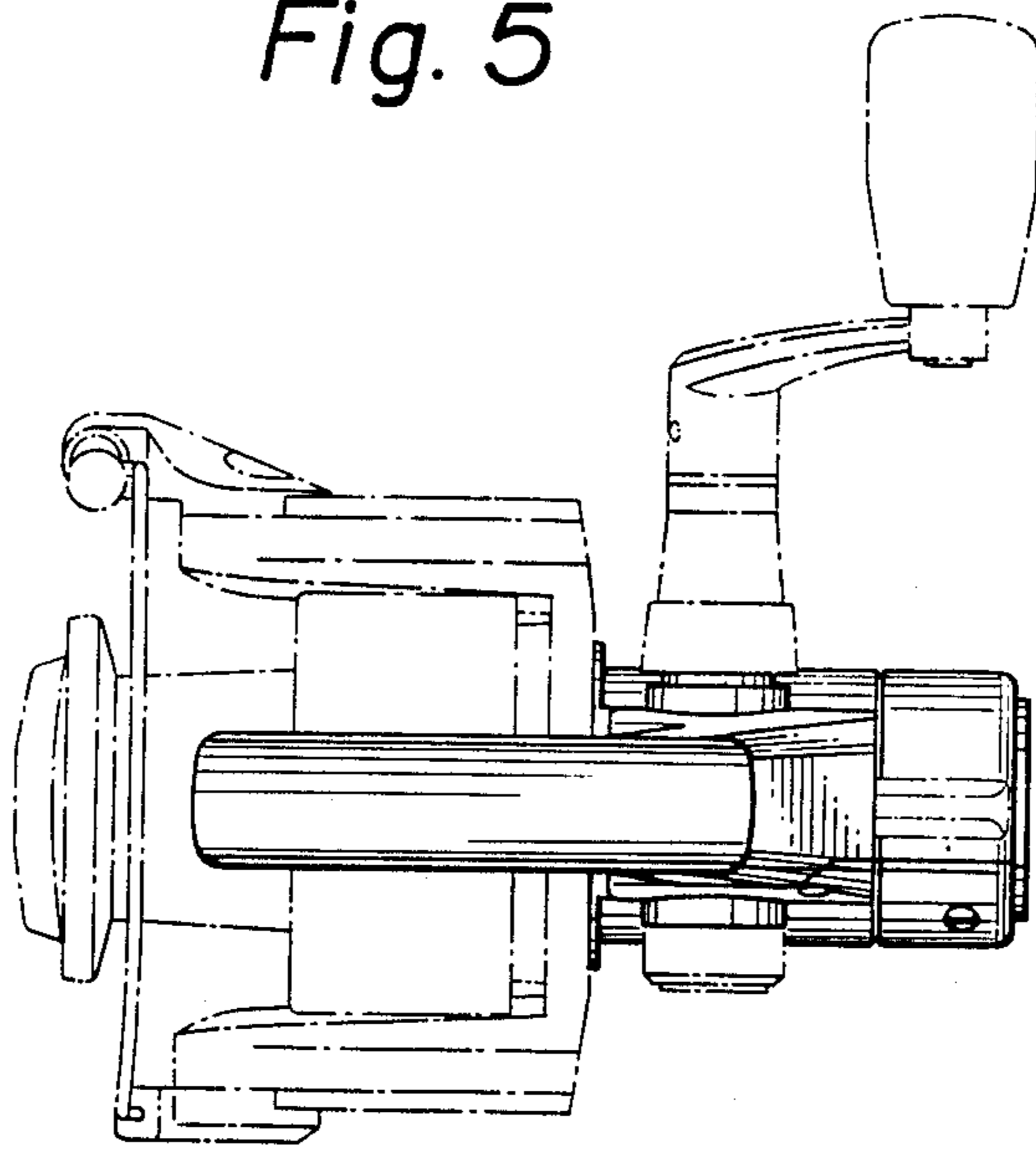


Fig. 6

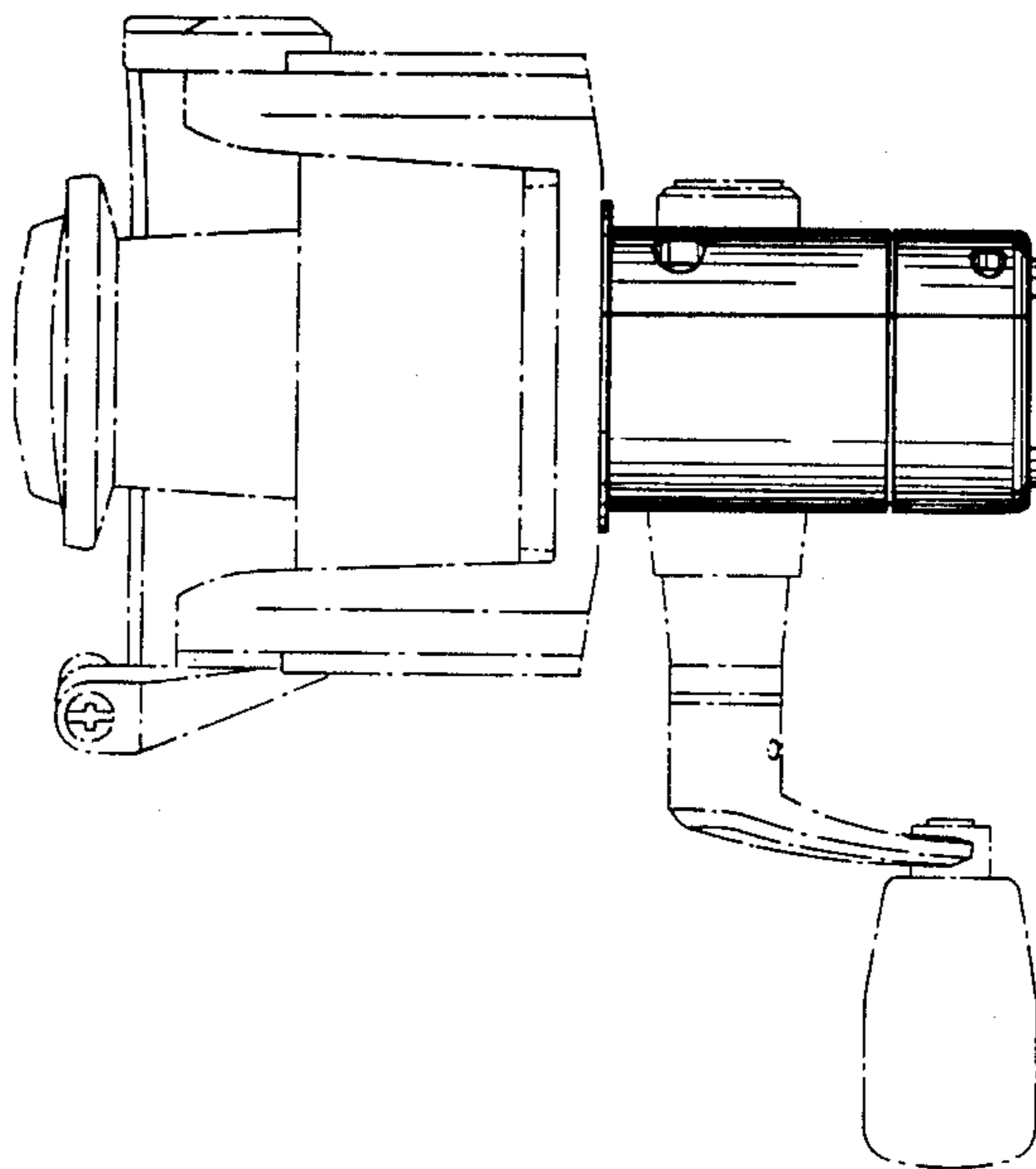


Fig. 7

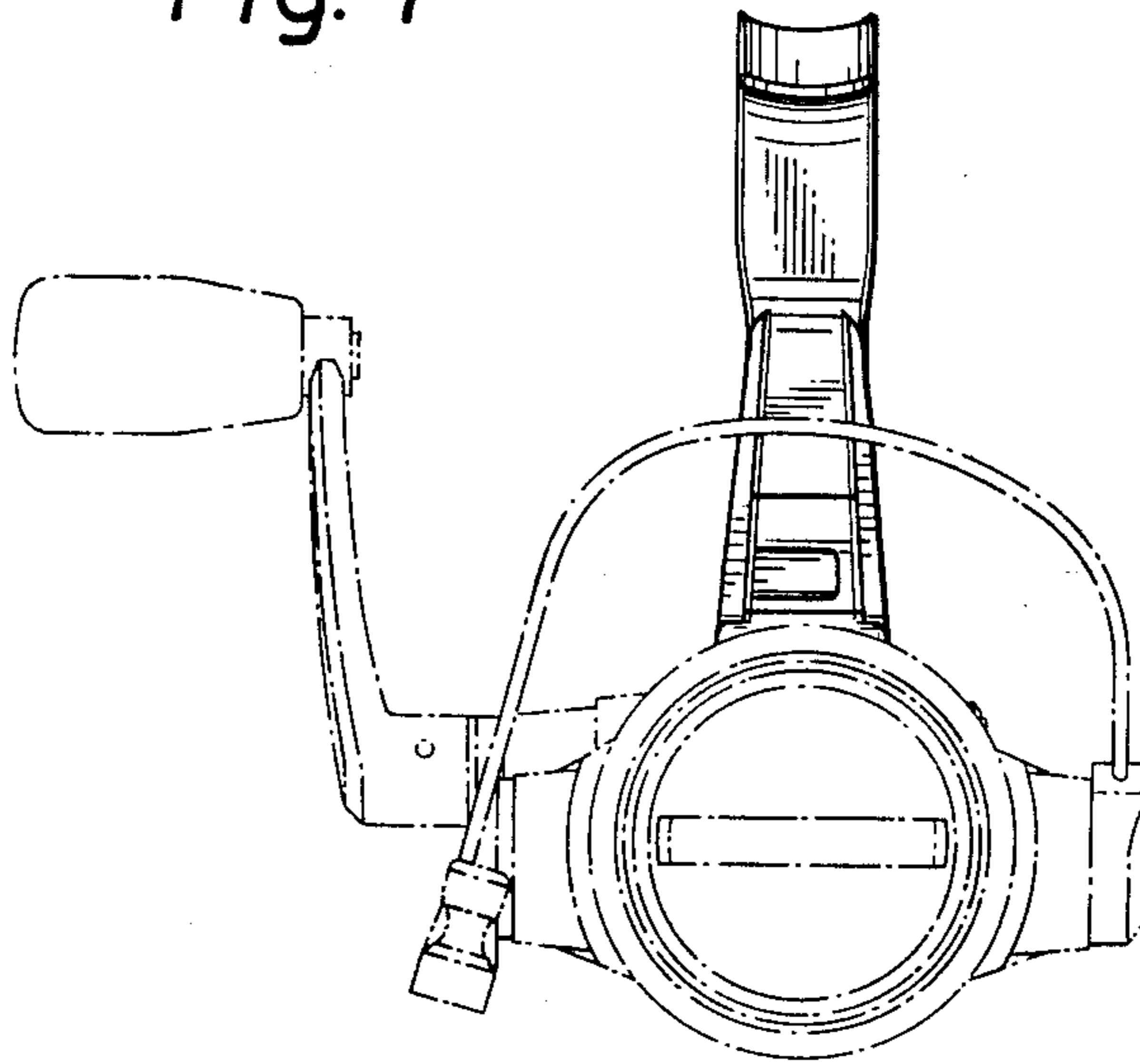


Fig. 8

