

[54] TOY STAIRCASE

[75] Inventor: Flemming H. Olsen, Espergaerde, Denmark

[73] Assignee: Interlego A.G., Baar, Switzerland

[\*\*] Term: 14 Years

[21] Appl. No.: 277,905

[22] Filed: Nov. 29, 1988

[52] U.S. Cl. .... D21/109

[58] Field of Search ..... D21/59, 109, 141, 108; D25/63, 64, 65; 446/476, 478, 479-480, 491

[56] References Cited

U.S. PATENT DOCUMENTS

- D. 233,750 11/1974 Bryan ..... D25/63
- D. 295,644 5/1988 Takahashi ..... D21/141
- D. 295,646 5/1988 Knudsen ..... D21/108

3,175,654 3/1965 Calvert ..... D25/63

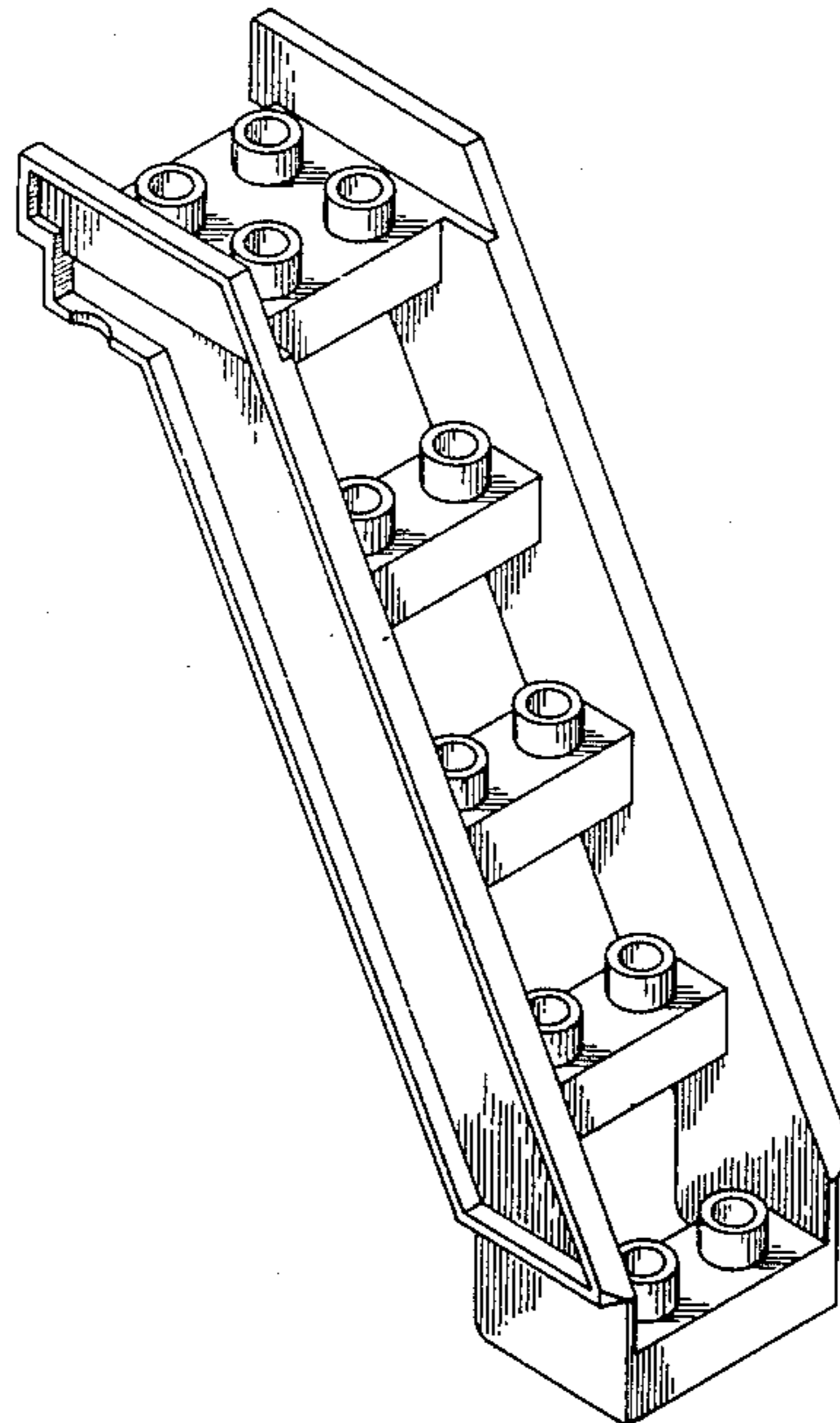
Primary Examiner—Charles A. Rademaker  
Attorney, Agent, or Firm—Kane, Dalsimer, Sullivan, Kurucz, Levy, Eisele and Richard

[57] CLAIM

The ornamental design for a toy staircase, as shown and described.

DESCRIPTION

FIG. 1 is a top perspective view of a toy staircase showing my new design;  
 FIG. 2 is a bottom perspective view thereof;  
 FIG. 3 is a front elevational view thereof;  
 FIG. 4 is a rear elevational view thereof;  
 FIG. 5 is a top plan view thereof;  
 FIG. 6 is a bottom plan view thereof;  
 FIG. 7 is a side elevational view thereof, the opposite side being a mirror image.



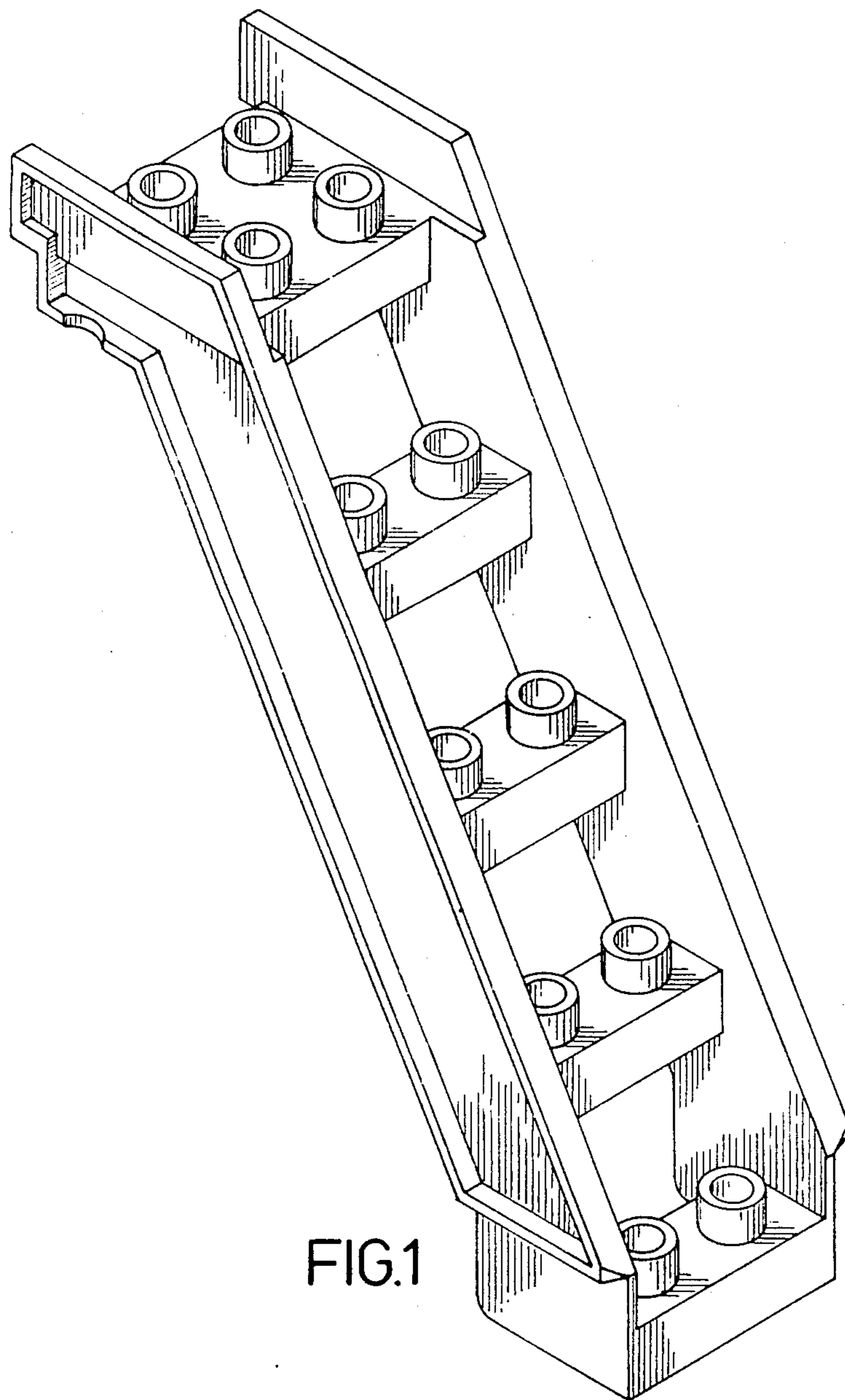


FIG. 1

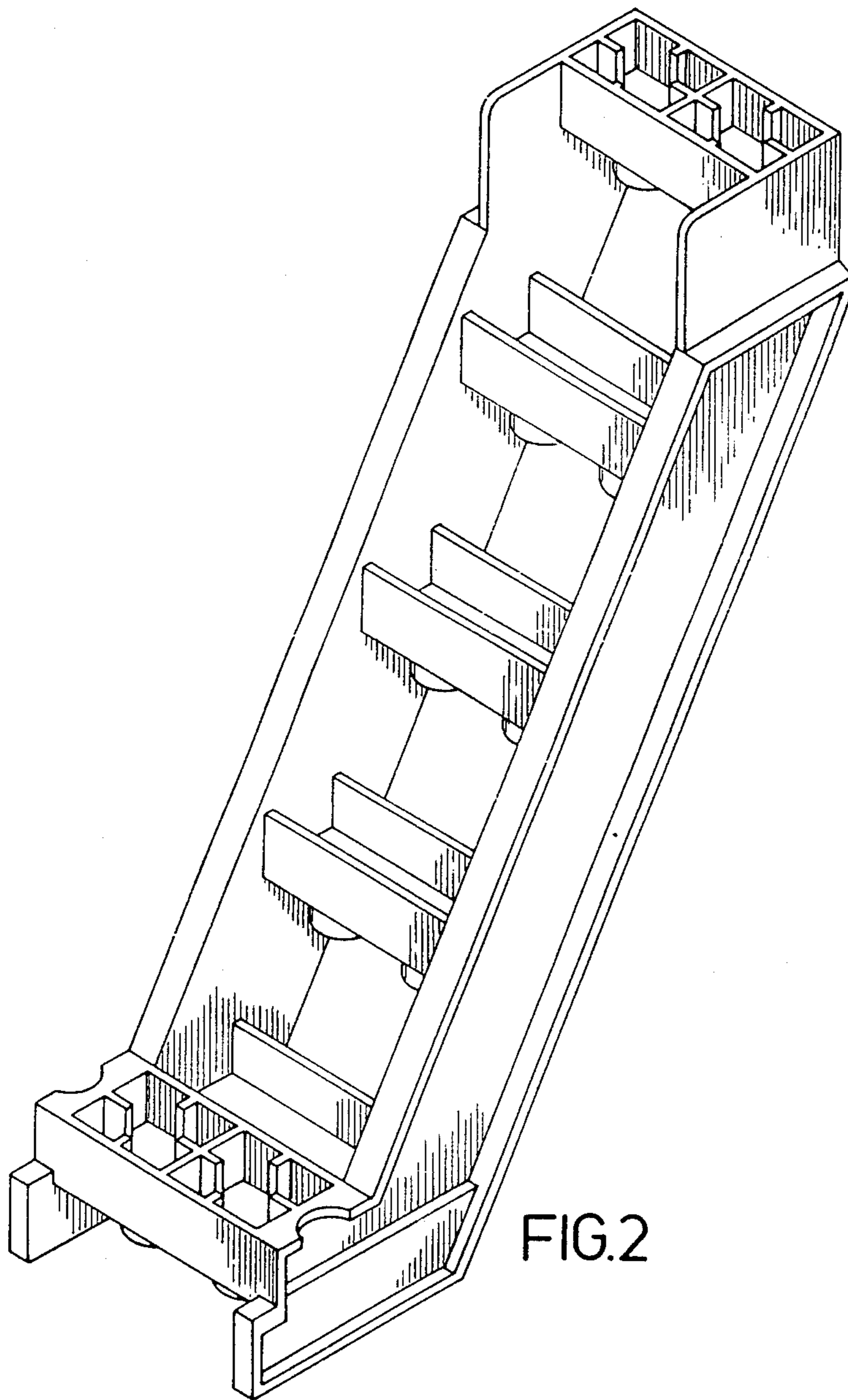


FIG. 2

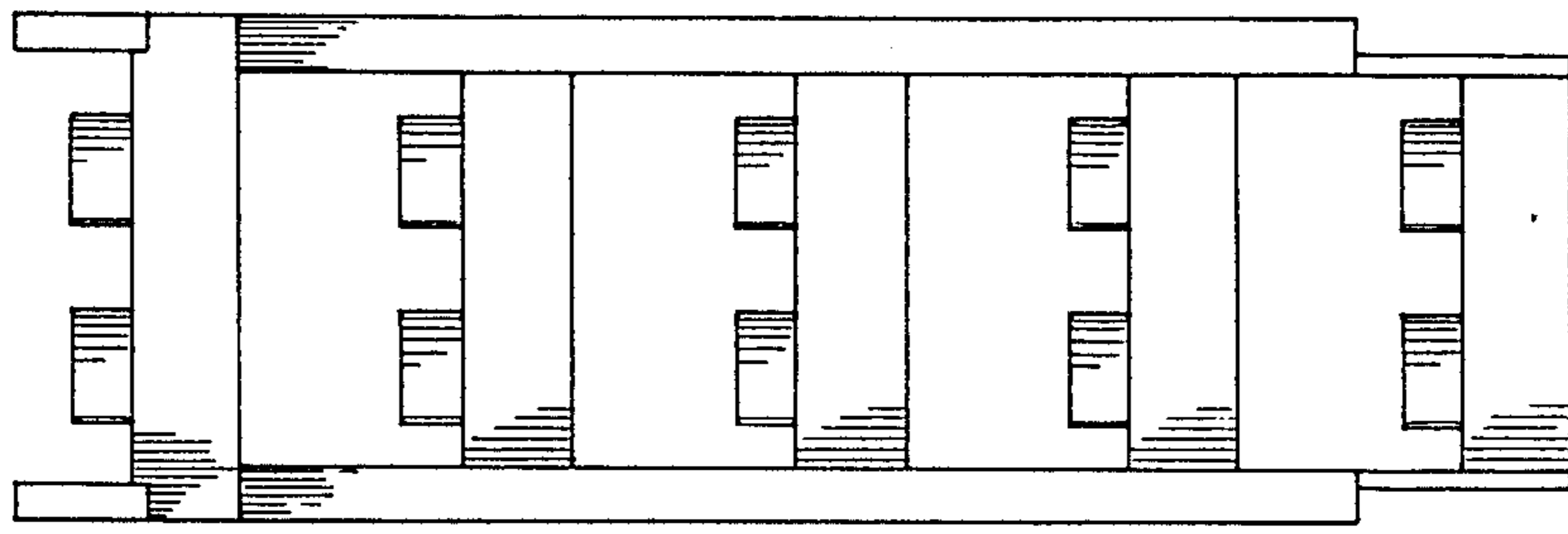


FIG.4

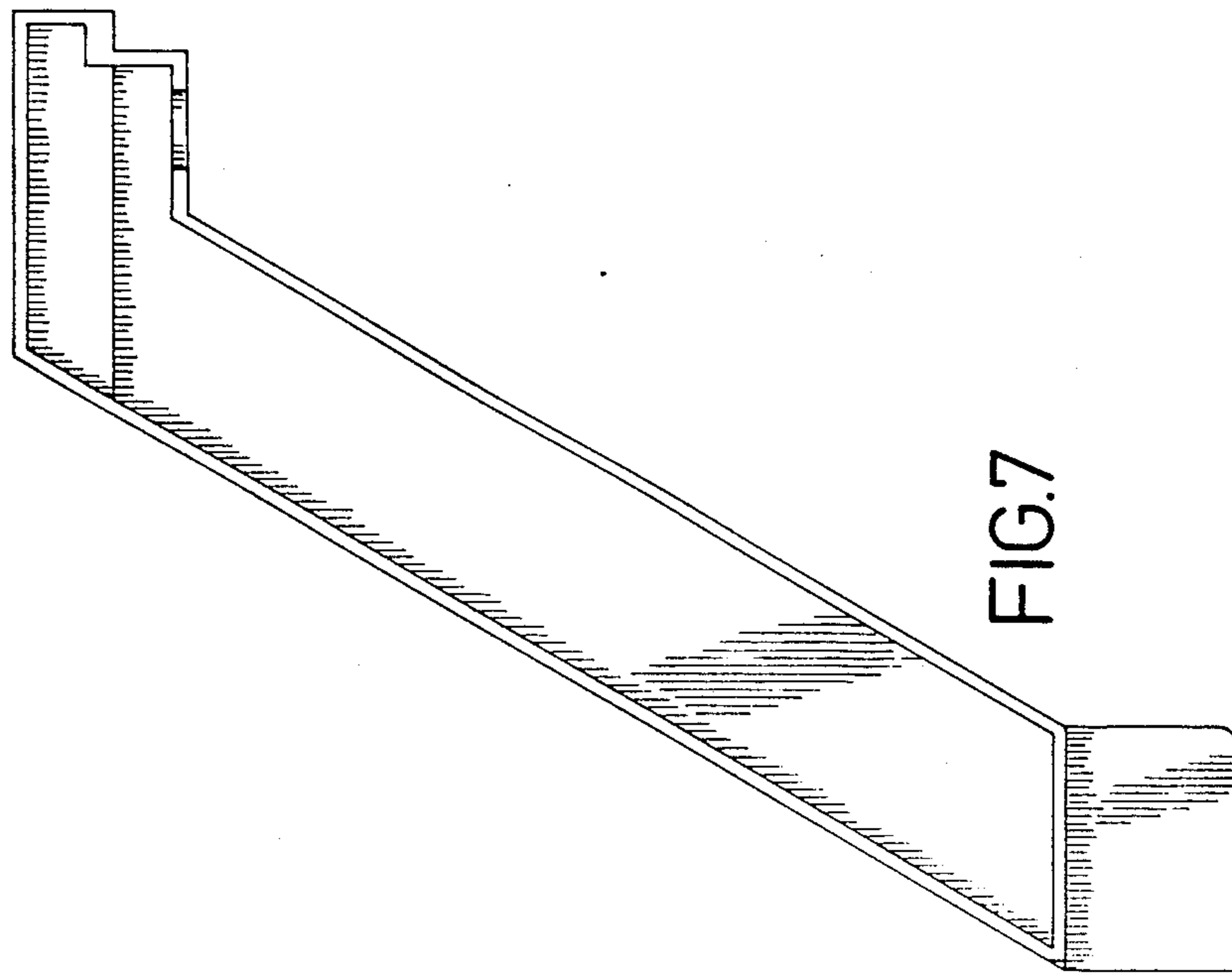


FIG.7

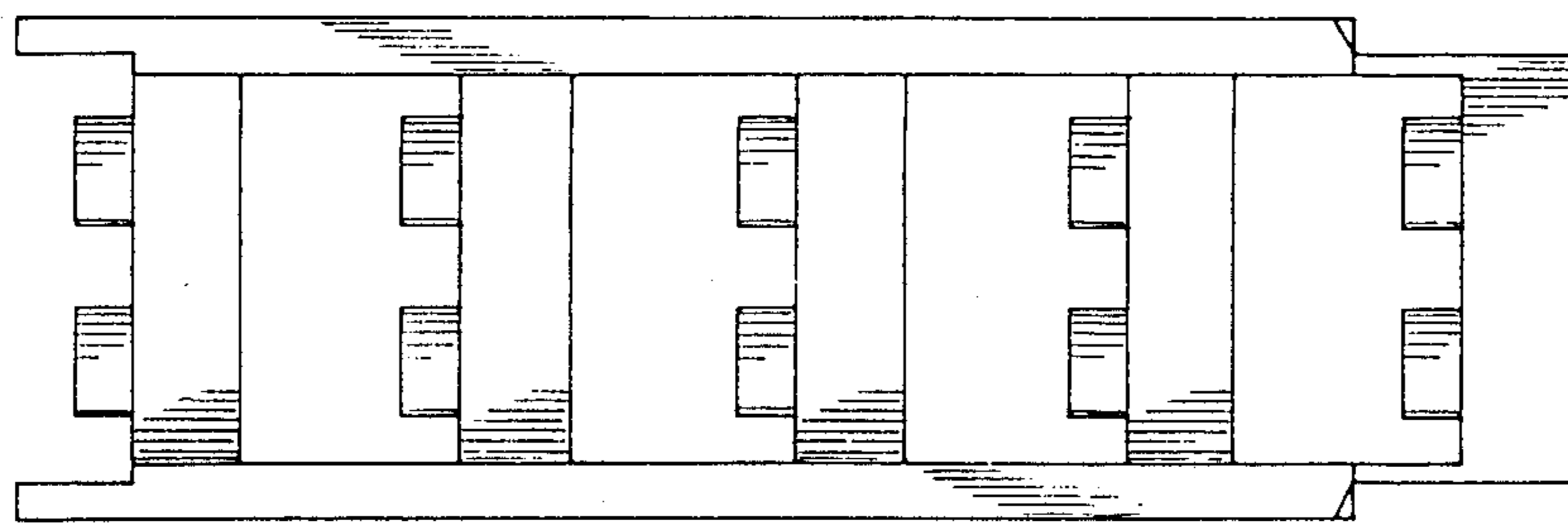


FIG.3

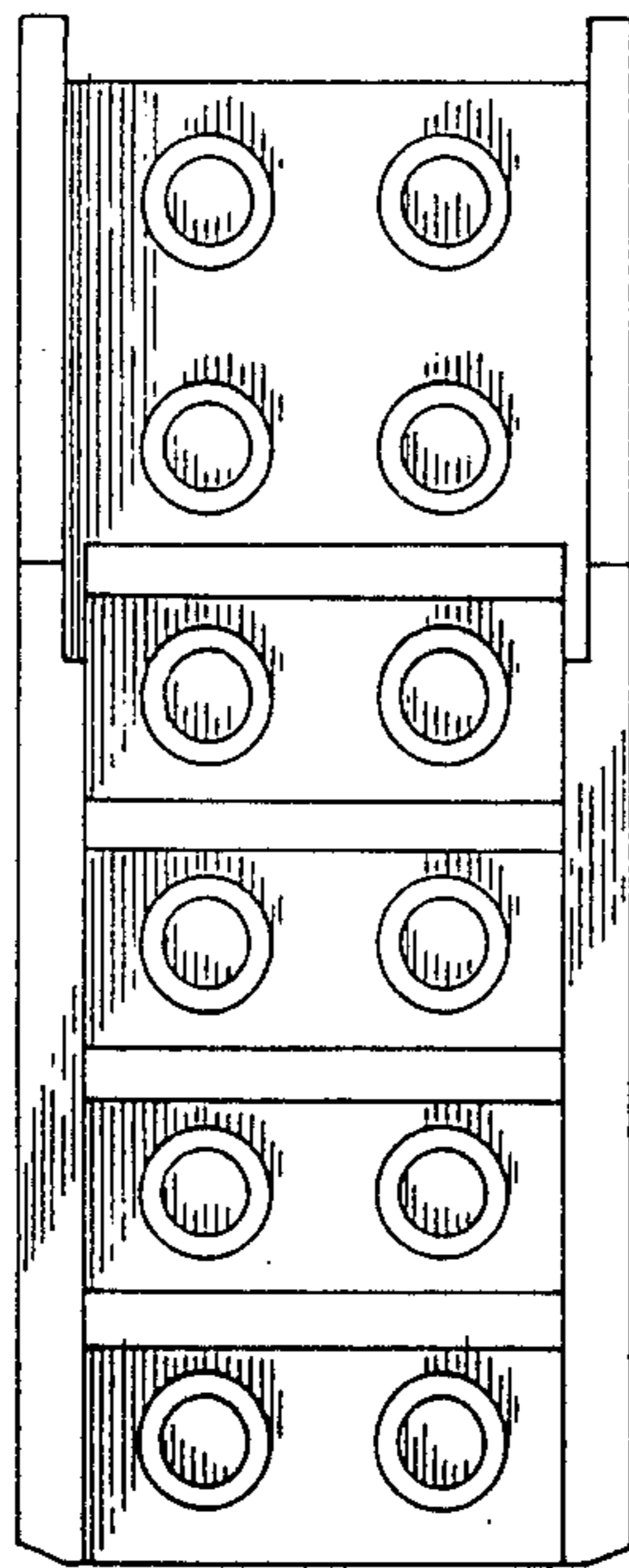


FIG. 5

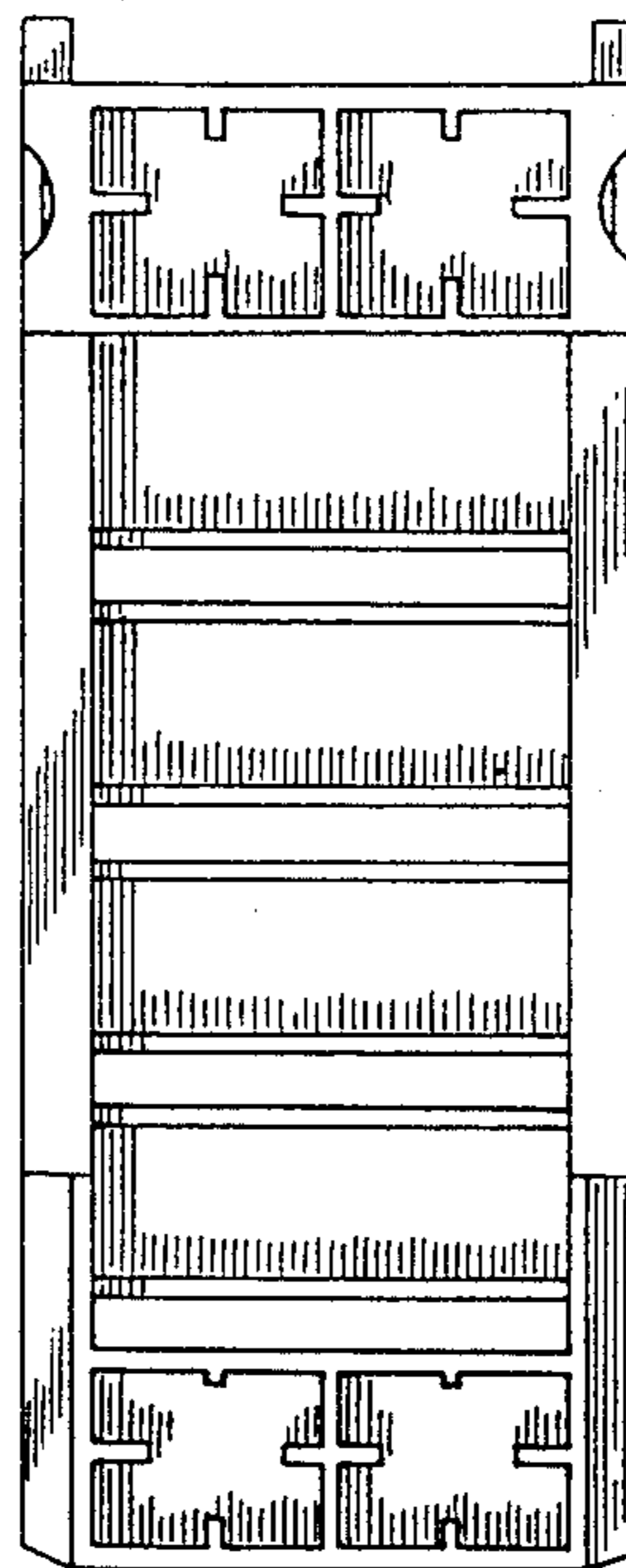


FIG. 6