

[54] **TOY BUILDING BLOCK**

[76] **Inventor:** Anton Meyer, Gratznerstrasse 3,
D-8000 Ingolstadt 2, Fed. Rep. of
Germany

[**] **Term:** 14 Years

[21] **Appl. No.:** 151,804

[22] **Filed:** Feb. 3, 1988

[30] **Foreign Application Priority Data**

Aug. 5, 1987 [DE] Fed. Rep. of Germany ... P10-17335
[52] **U.S. Cl.** **D21/108**
[58] **Field of Search** D21/104, 108, 114, 115,
D21/117; 446/85, 102, 105, 106, 108, 114, 115,
116, 117, 118, 120, 121, 122, 124, 125, 126, 127

[56] **References Cited**

U.S. PATENT DOCUMENTS

D. 220,400 4/1971 Essman D21/108
D. 223,463 4/1972 Daenen D21/108
D. 262,045 11/1981 Nakao et al. D21/108
2,175,942 10/1939 Longenecker 446/124

FOREIGN PATENT DOCUMENTS

960965 6/1964 United Kingdom 446/122

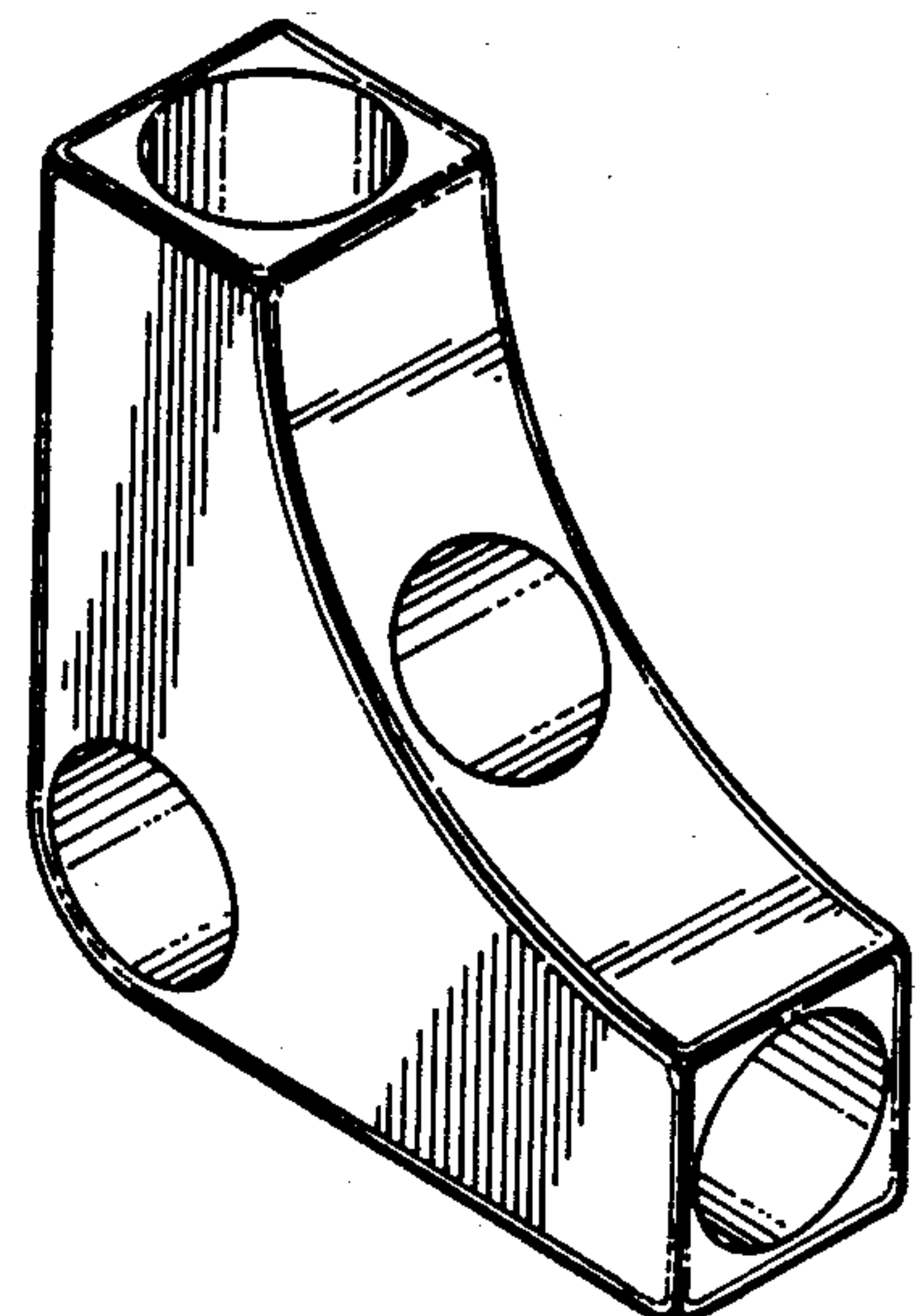
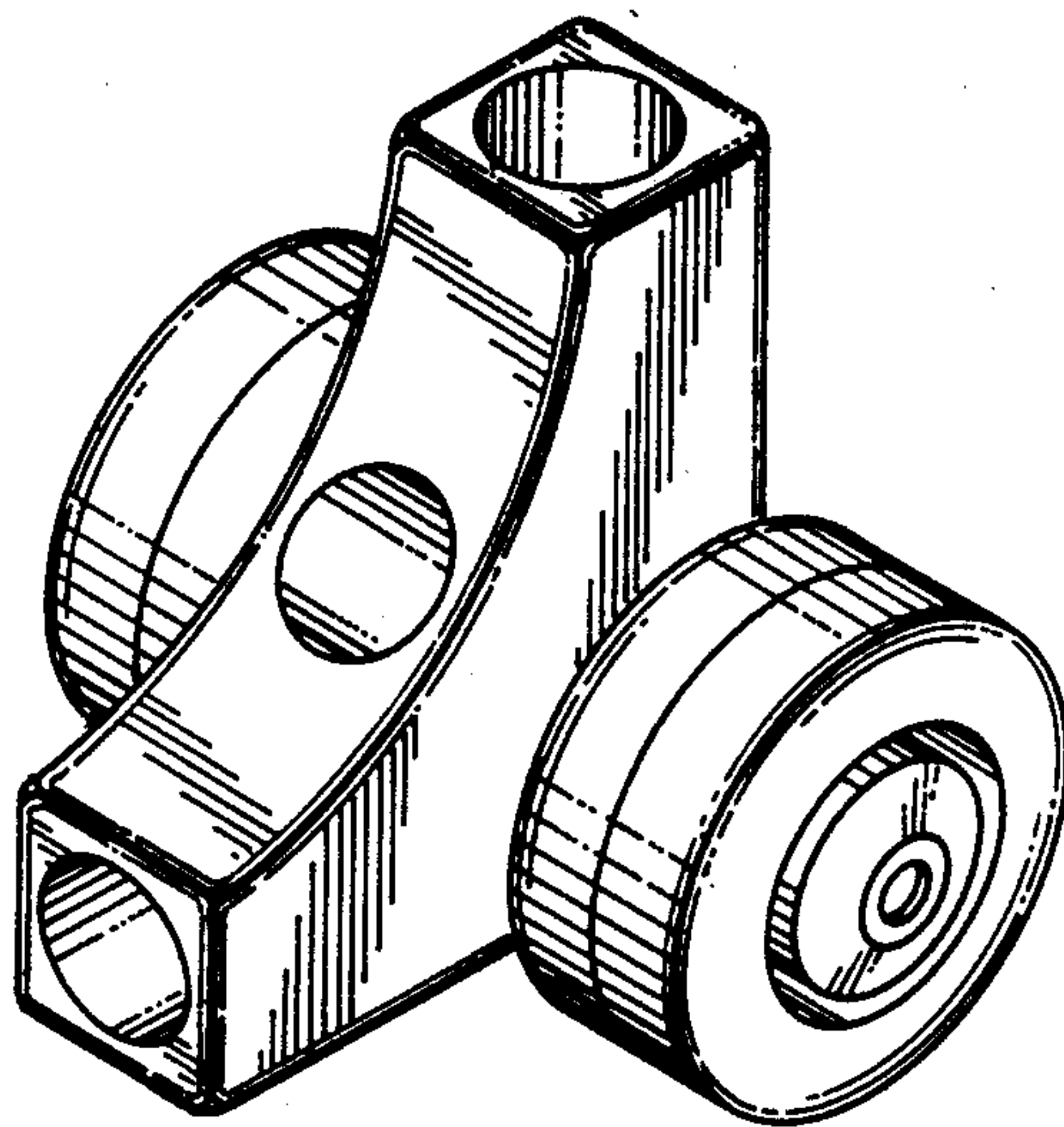
Primary Examiner—Charles A. Rademaker
Assistant Examiner—Alicia A. Farrell
Attorney, Agent, or Firm—Dellett, Smith-Hill and Bedell

[57] **CLAIM**

The ornamental design for a toy building block, as shown and described.

DESCRIPTION

FIG. 1 is a front perspective view of a toy building block showing my new design, FIG. 2 is a rear perspective view thereof, FIG. 3 is an elevation of one side thereof, the elevation of the opposite side being a mirror image of FIG. 3, FIG. 4 is a rear elevation thereof, FIG. 5 is a top plan view thereof, the bottom of the block being plain and unornamented, FIG. 6 is a front perspective view of a modified embodiment of the design shown in FIGS. 1 through 5, FIG. 7 is a front elevation thereof, FIG. 8 is an elevation of one side thereof, the elevation of the opposite side being a mirror image of FIG. 8, FIG. 9 is a rear elevation thereof, and FIG. 10 is a top plan view thereof, the bottom of the block being plain and unornamented.



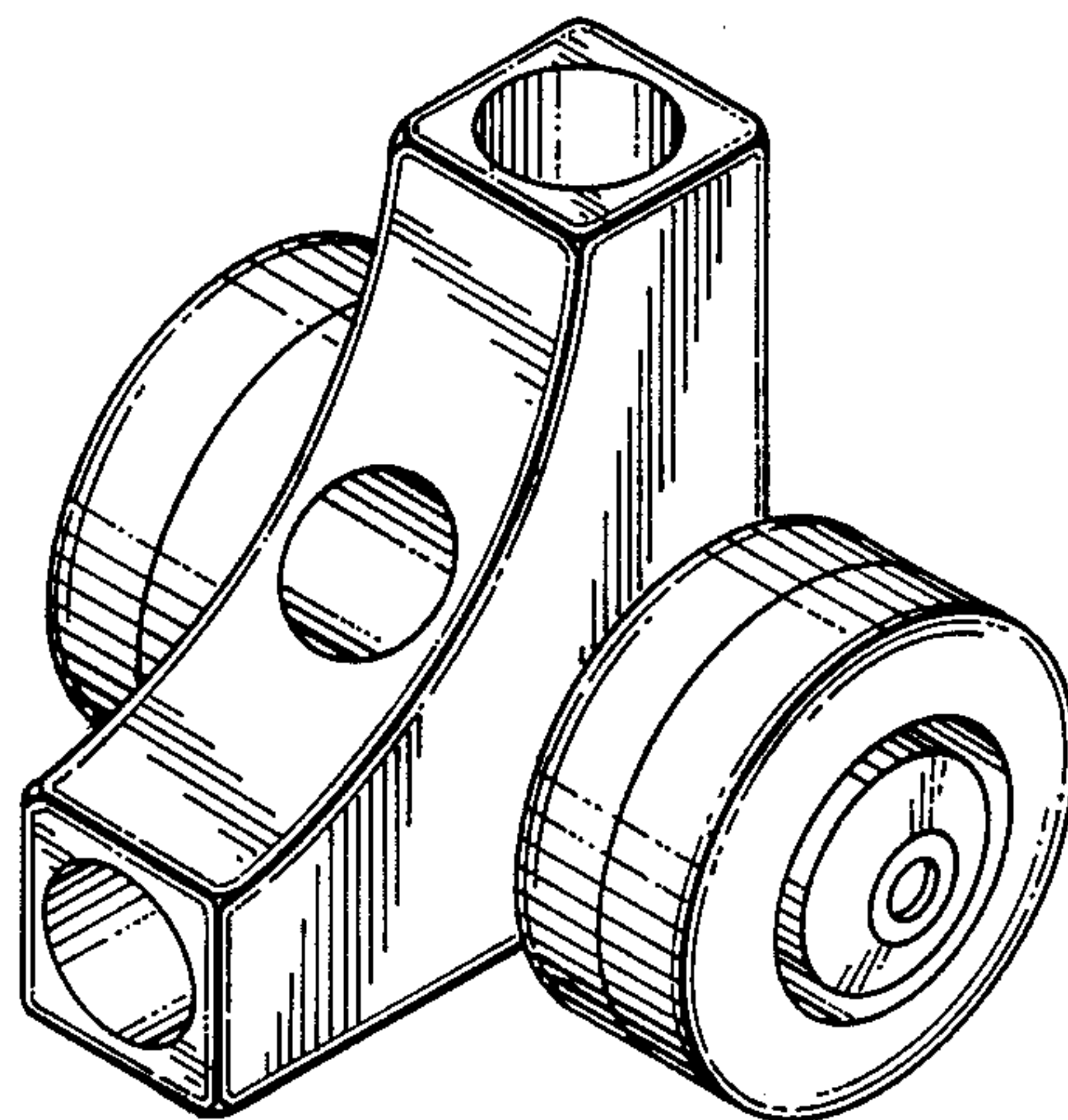


FIG. 1

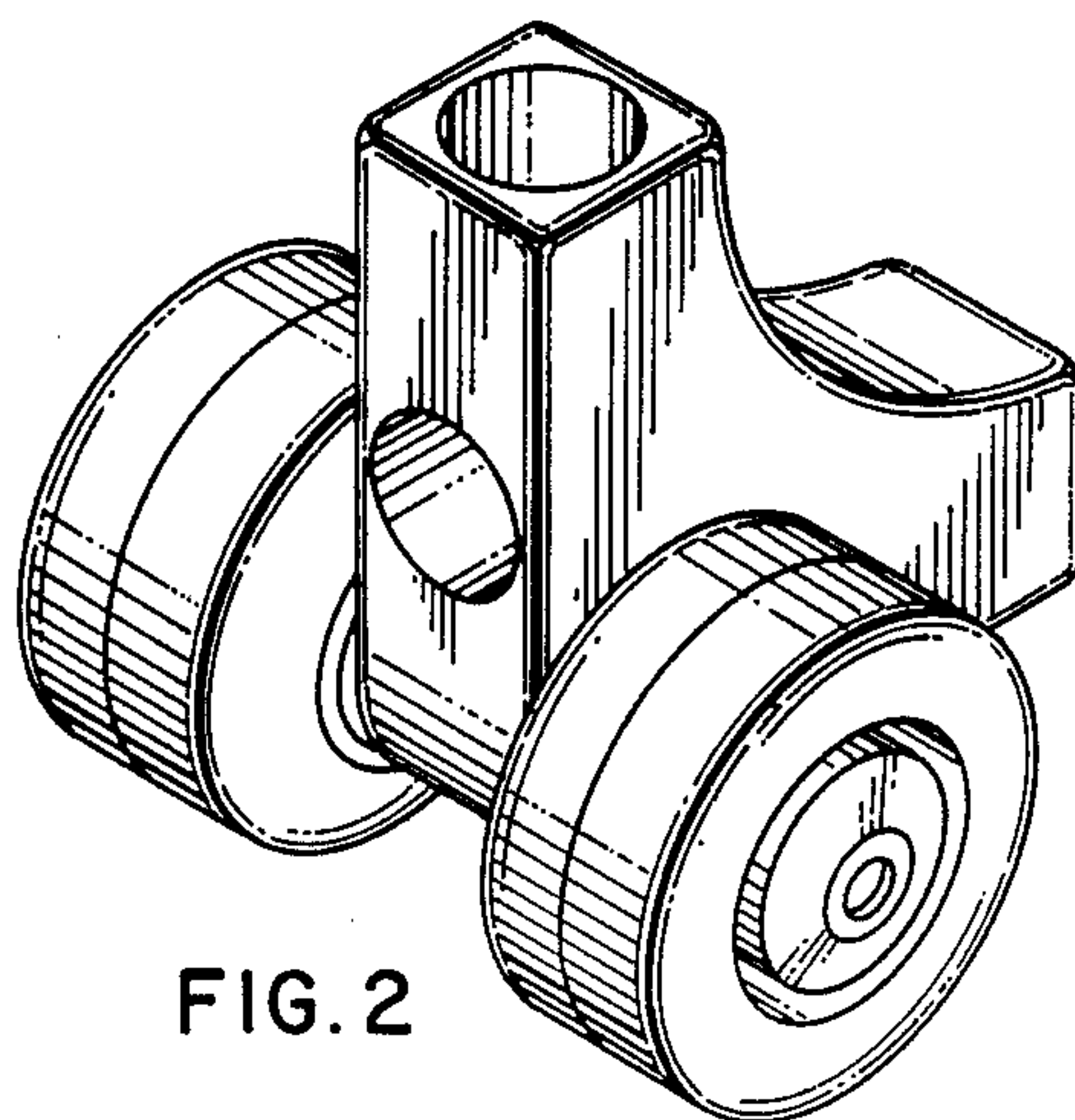


FIG. 2

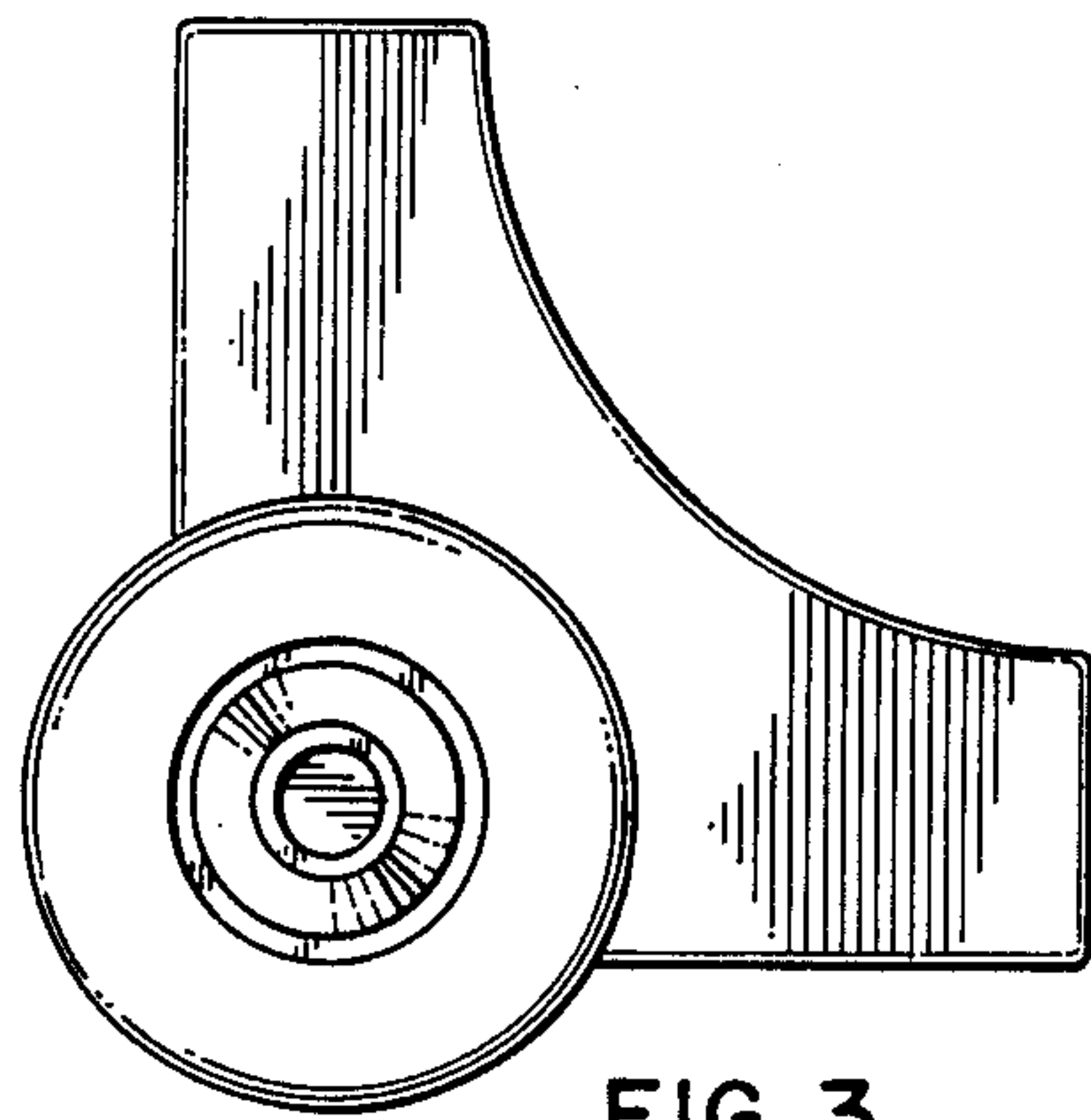


FIG. 3

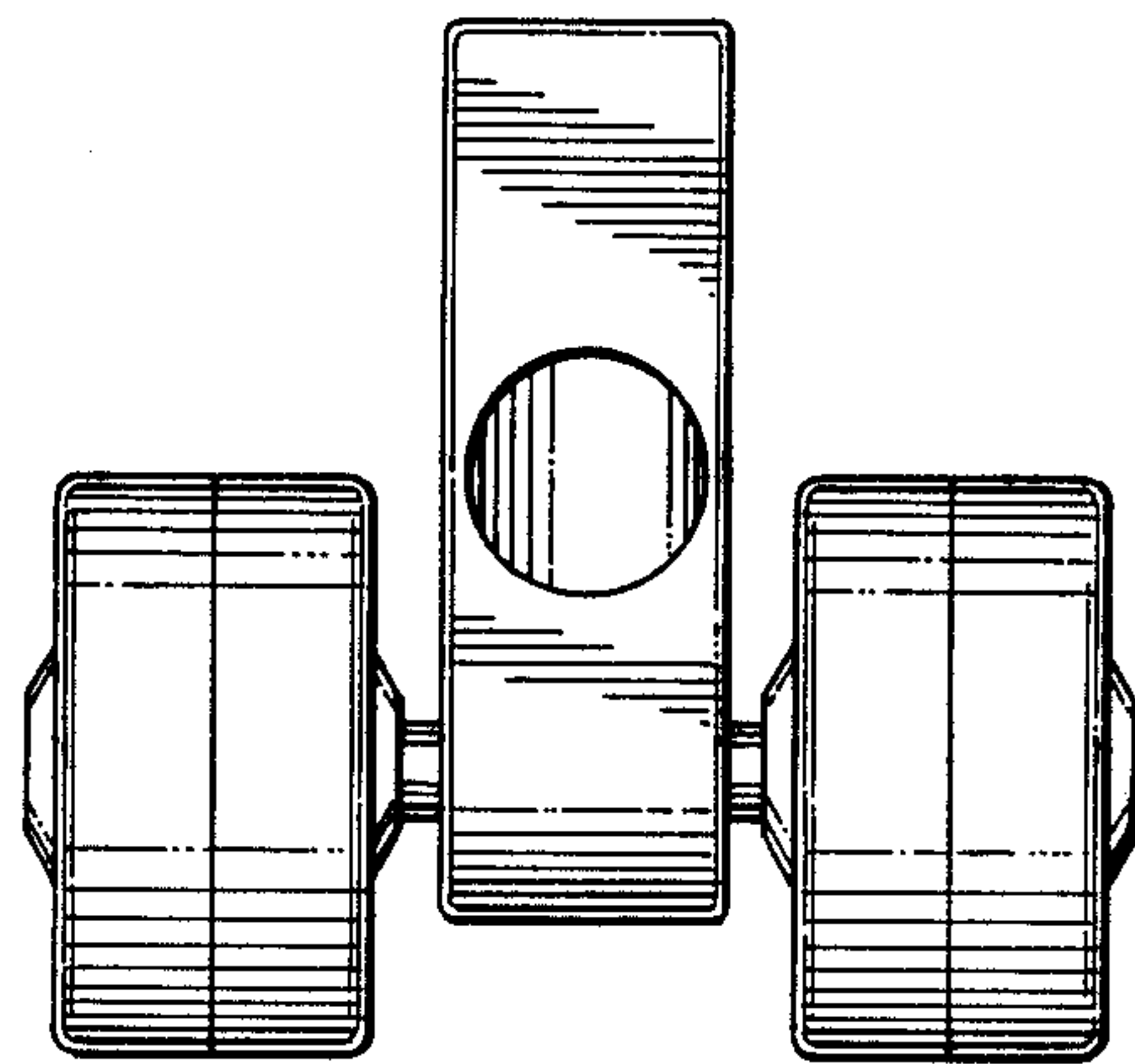


FIG. 4

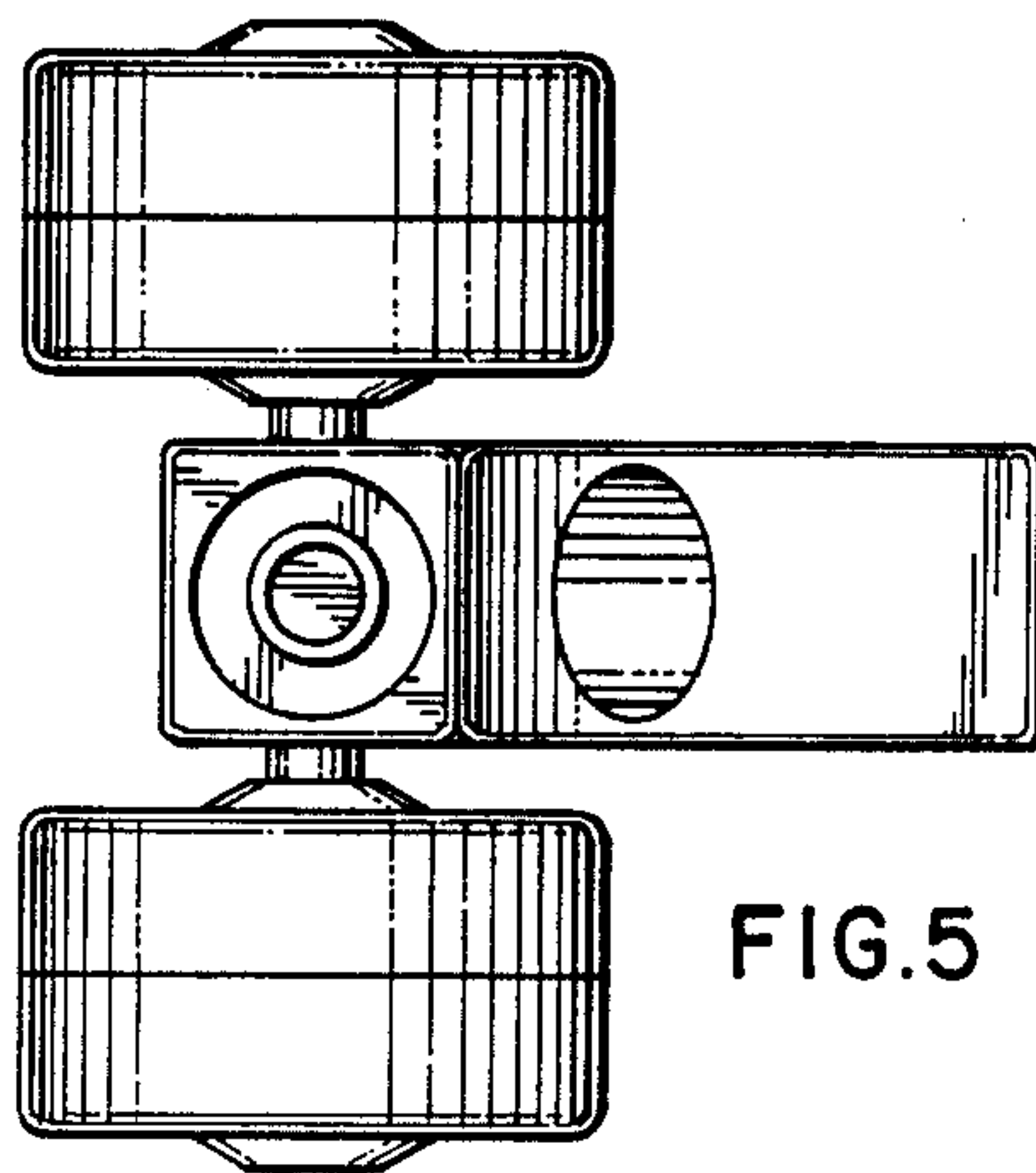


FIG. 5

