

[54] SOUNDING TOY

[75] Inventor: Takashi Maezono, Tokyo, Japan

[73] Assignee: Tomy Company, Ltd., Tokyo, Japan

[**] Term: 14 Years

[21] Appl. No.: 177,157

[22] Filed: Apr. 4, 1988

[30] Foreign Application Priority Data

Oct. 8, 1987 [JP] Japan 62-41217

[52] U.S. Cl. D21/64; D14/165; D21/113

[58] Field of Search D21/112-113, D21/64, 59; D14/163-165; 446/75, 491, 397, 408, 421, 404

[56] References Cited

U.S. PATENT DOCUMENTS

D. 220,340	3/1971	Sasaki	D14/165
D. 224,410	7/1972	Ebata	D14/165
D. 267,662	1/1983	Lambert et al.	D21/112
D. 277,474	2/1985	Miura	D14/165
D. 277,563	2/1985	Murakami et al.	D14/163
D. 304,832	11/1989	Murphy	D14/165

Primary Examiner—Charles A. Rademaker
Attorney, Agent, or Firm—Staas & Halsey

[57] CLAIM

The ornamental design for a sounding toy, as shown.

DESCRIPTION

FIG. 1 is a front elevational view of a sounding toy showing my new design;
FIG. 2 is rear elevational view thereof;
FIG. 3 is a right-side elevational view thereof;
FIG. 4 is left-side elevational view thereof;
FIG. 5 is a top plan view thereof; and
FIG. 6 is a bottom plan view.

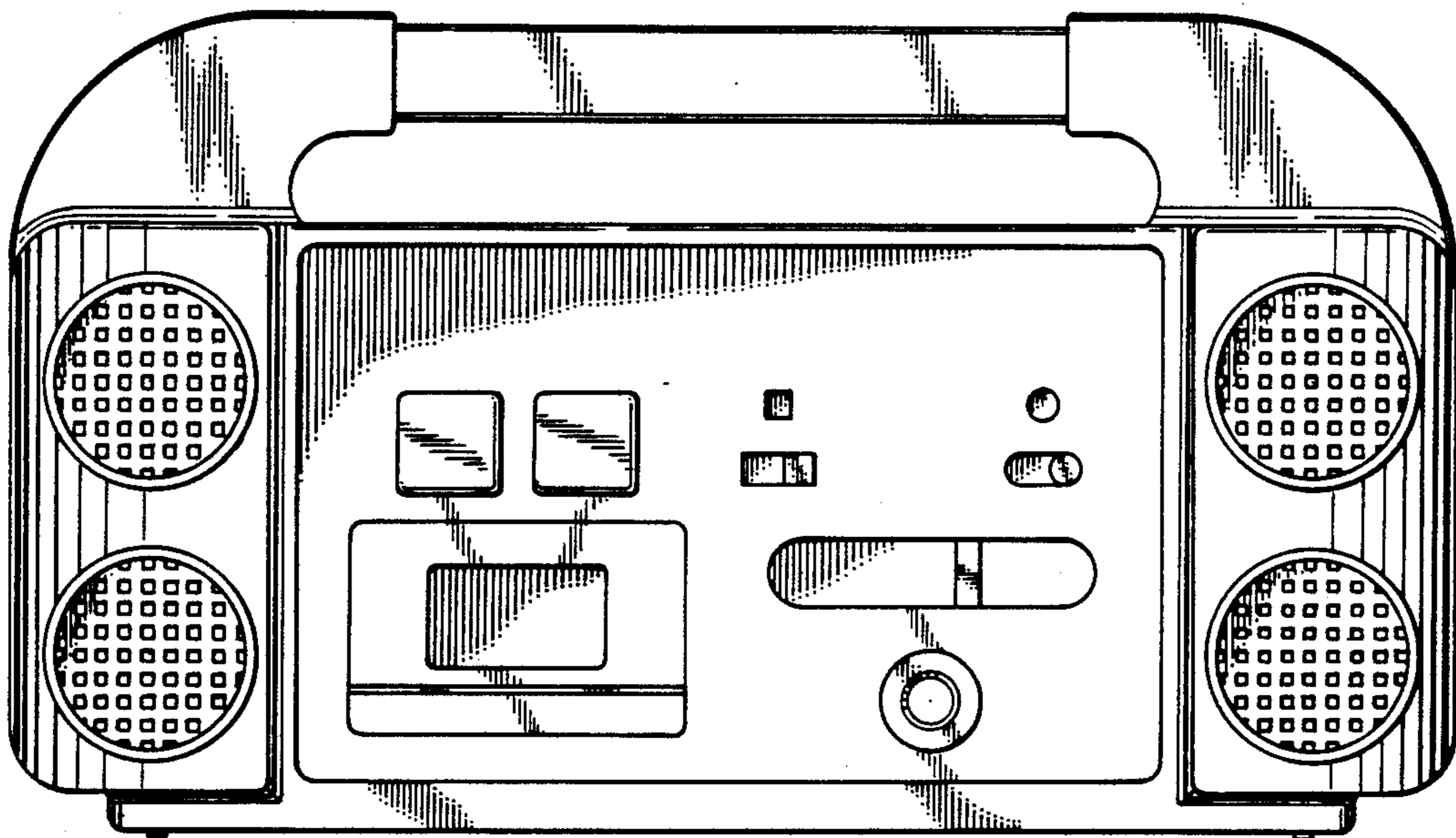


FIG. 1.

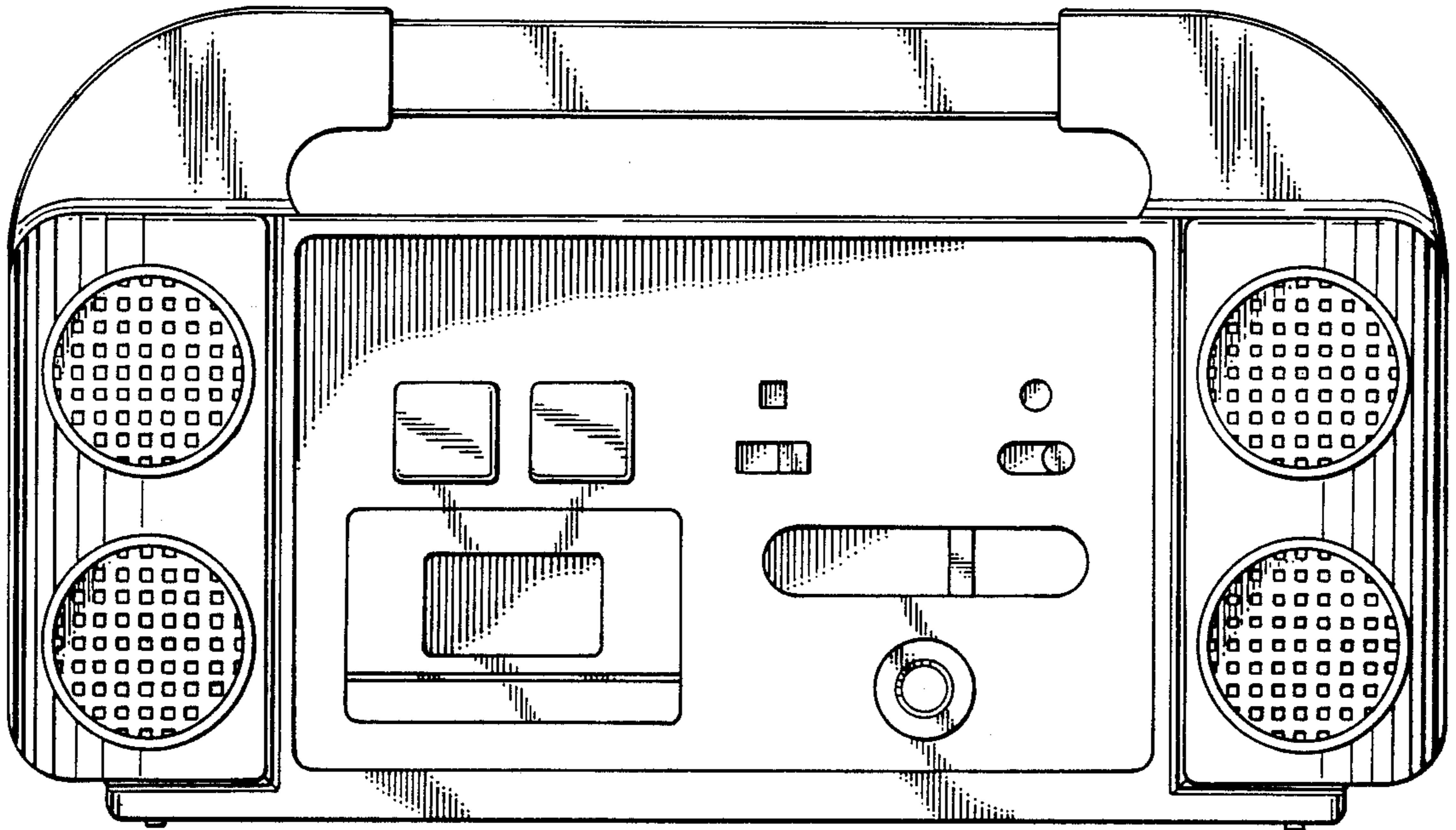


FIG. 2.

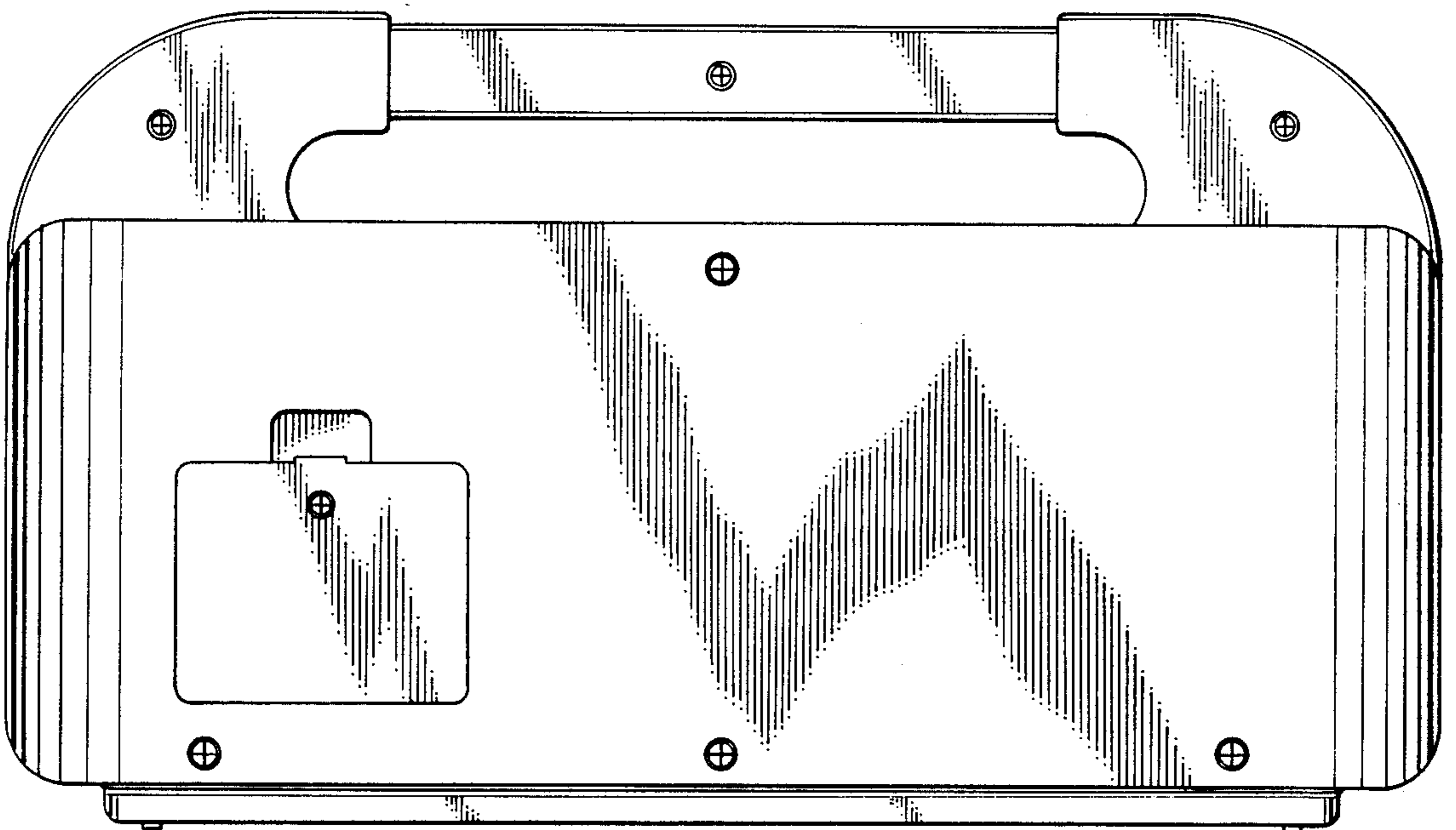


FIG. 3.

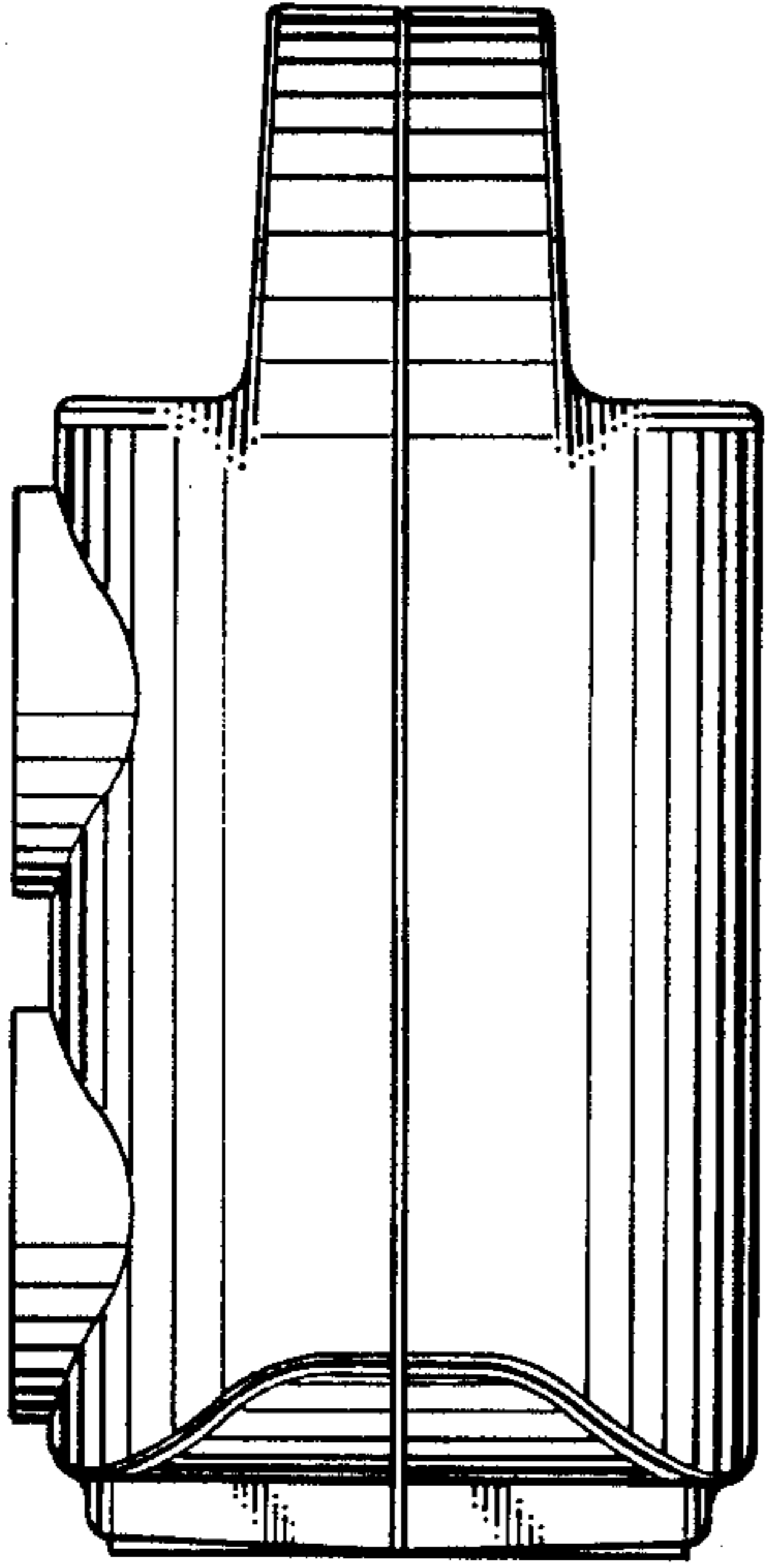


FIG. 4.

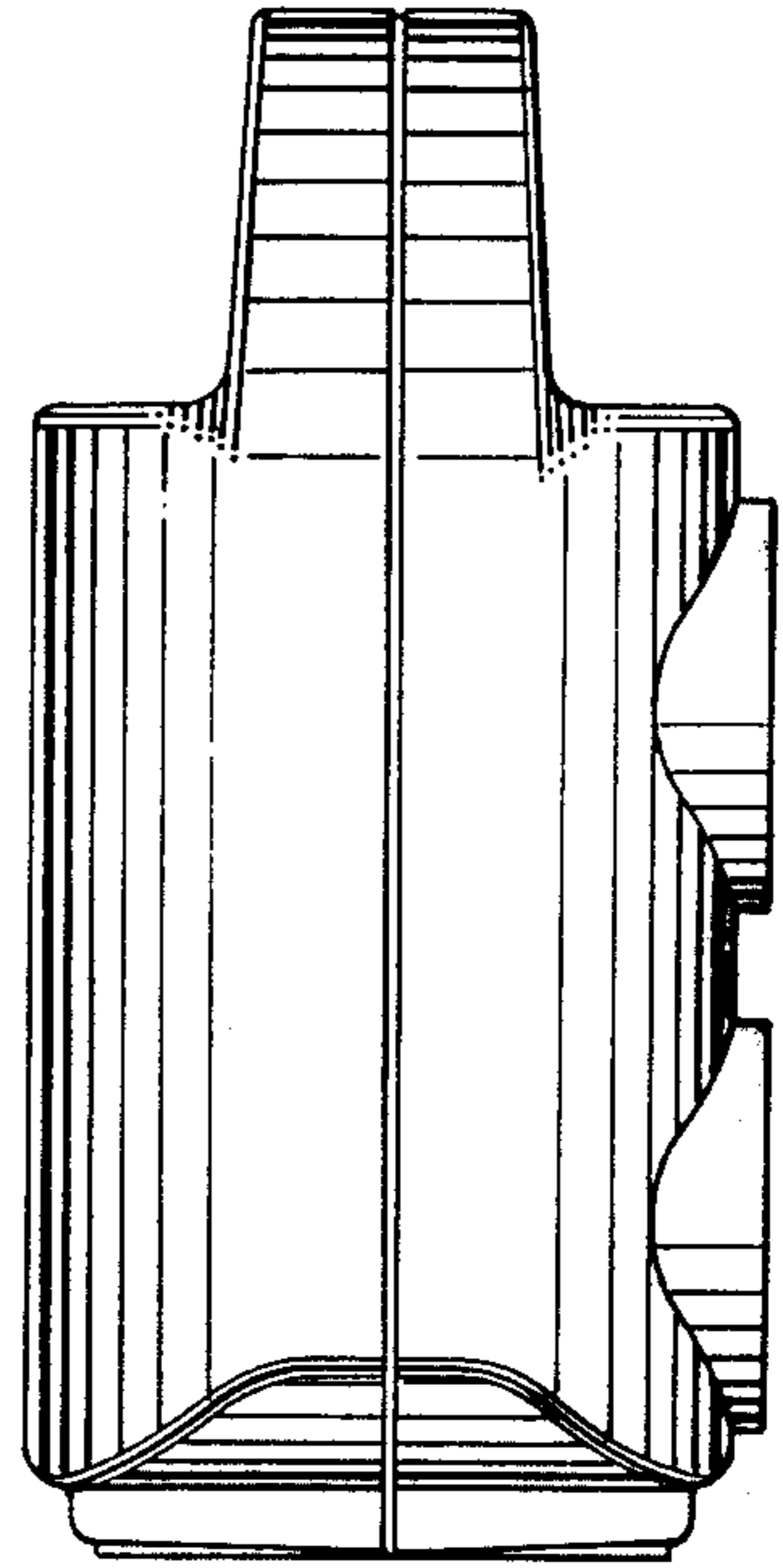


FIG. 5.

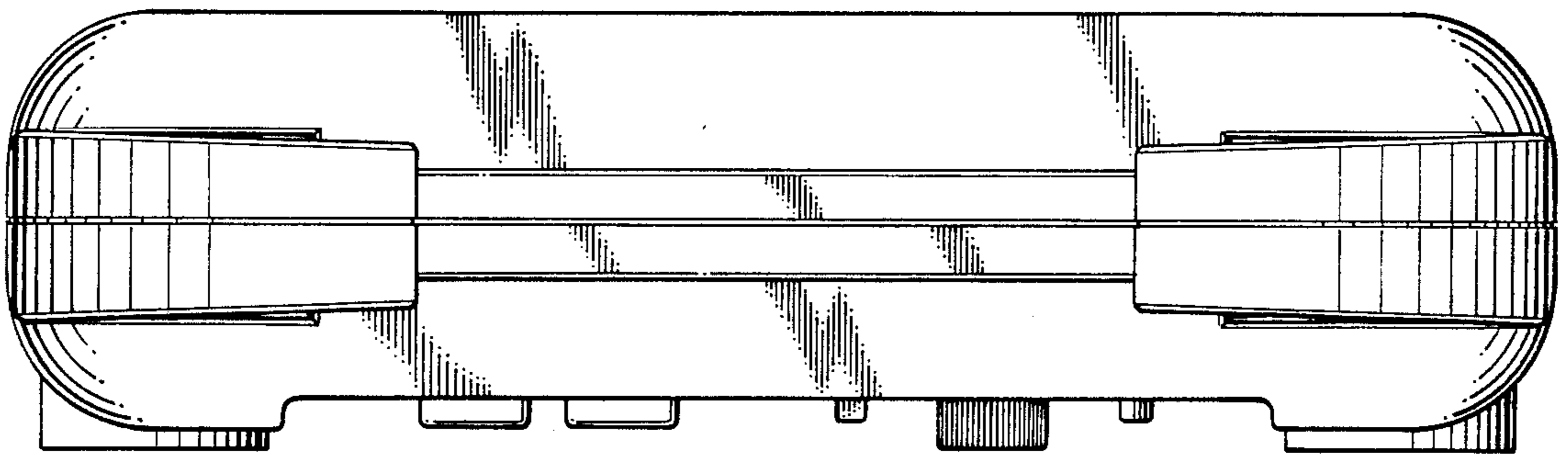


FIG. 6.

