

[54] CALCULATOR

[76] Inventor: William H. K. Chu, No. 106, Wan-Shun Liao, Shen-Keng Hsiang, Taipei Hsien, Taiwan, 22202

[\*\*] Term: 14 Years

[21] Appl. No.: 1,984

[22] Filed: Jan. 8, 1987

[52] U.S. Cl. .... D18/7

[58] Field of Search ..... D18/1, 2, 6, 7, 11, D18/12; D10/2, 15, 30; D14/100, 106, 107; 200/5 A; 235/61 R; 340/365, 700; 364/706-710

[56] References Cited

U.S. PATENT DOCUMENTS

- D. 236,269 8/1975 Shu-Keung ..... D18/11
- D. 299,251 1/1989 Endo et al. .... D18/7

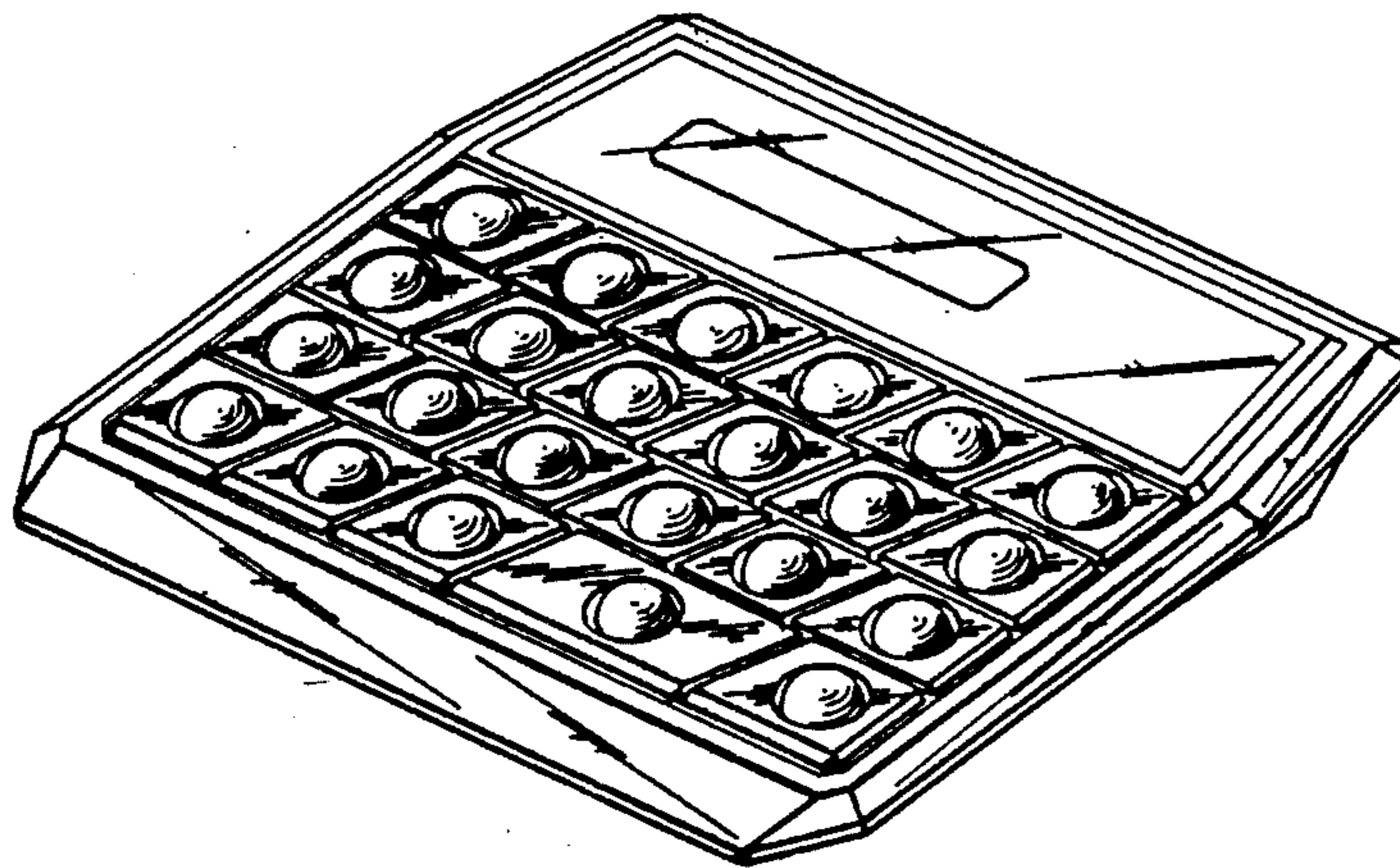
Primary Examiner—Nelson C. Holtje  
Assistant Examiner—Caron D. Veynar  
Attorney, Agent, or Firm—Fleit, Jacobson, Cohn, Price, Holman & Stern

[57] CLAIM

The ornamental design for a calculator, as shown and described.

DESCRIPTION

FIG. 1 is a top, right perspective view of a calculator showing my new design;  
 FIG. 2 is a rear elevational view thereof;  
 FIG. 3 is a top plan view thereof;  
 FIG. 4 is a right side elevational view, the left side elevational view being a mirror image thereof;  
 FIG. 5 is a front elevational view thereof;  
 FIG. 6 is a bottom plan view thereof.



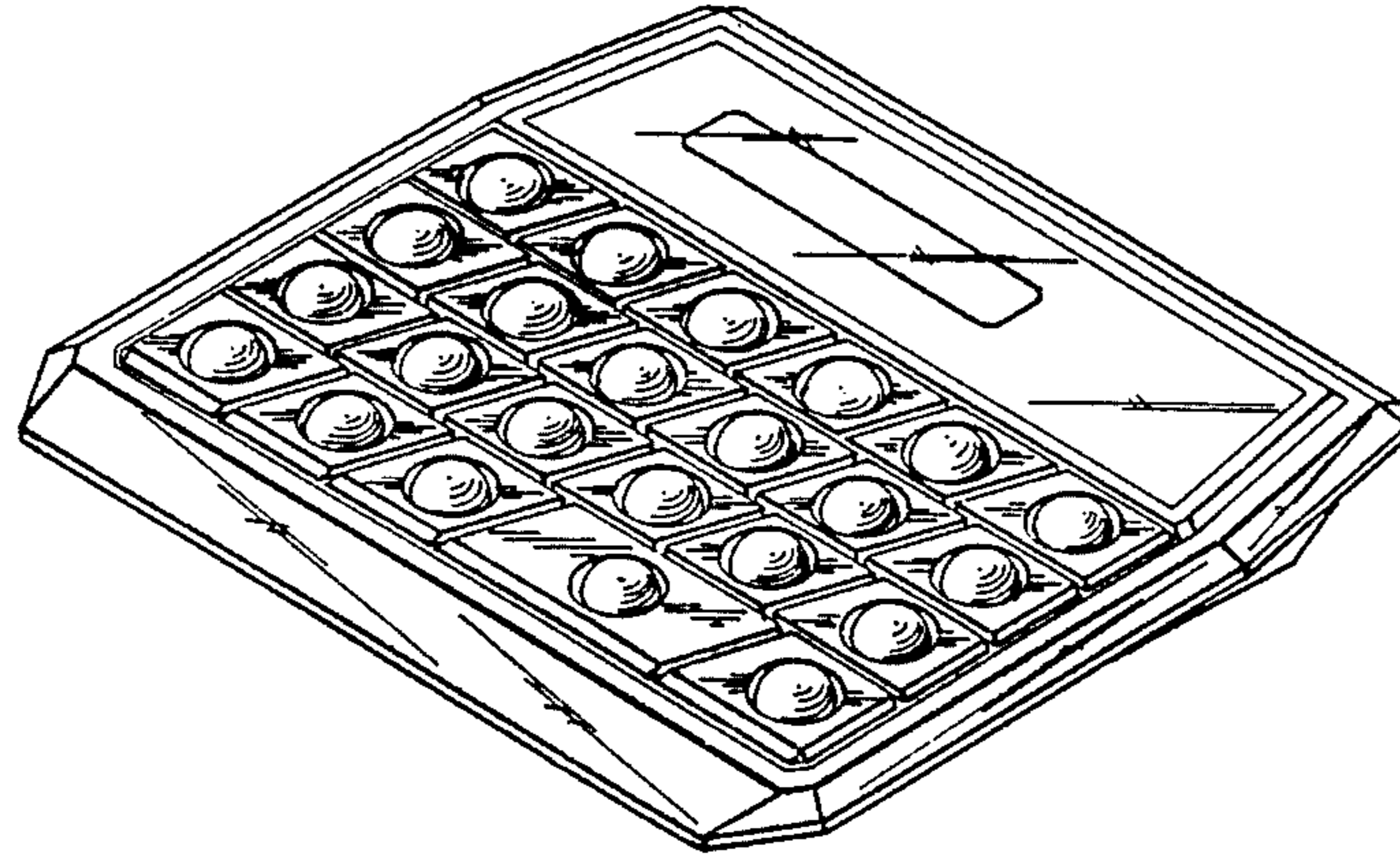


FIG. 1

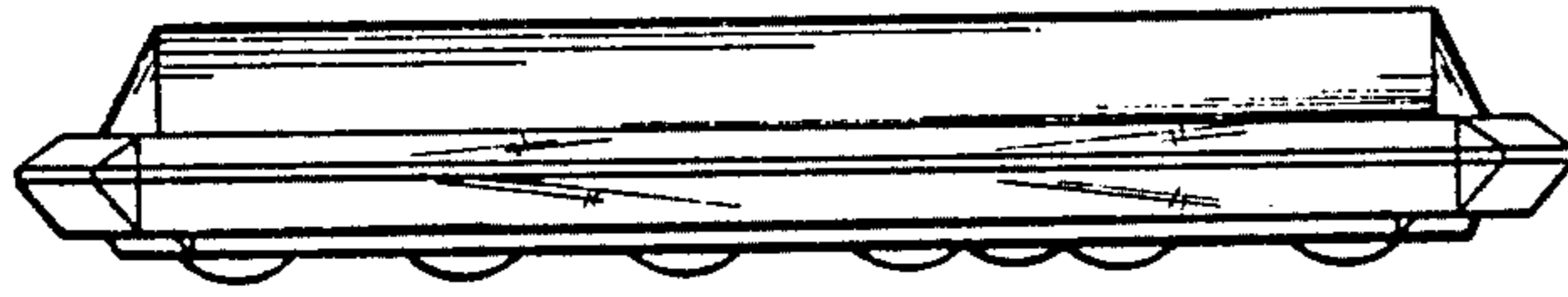


FIG. 2

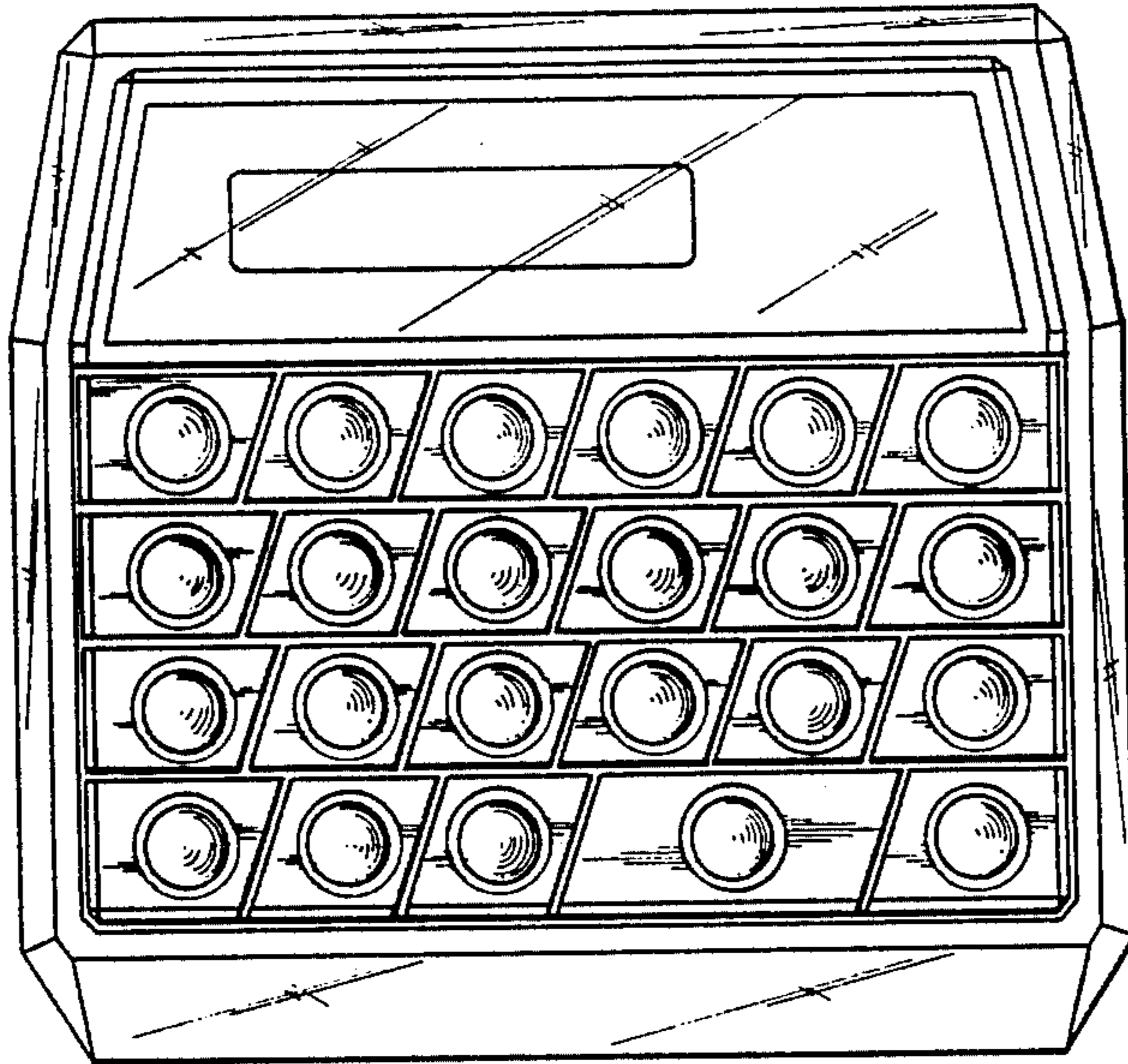


FIG. 3



FIG. 4



FIG. 5

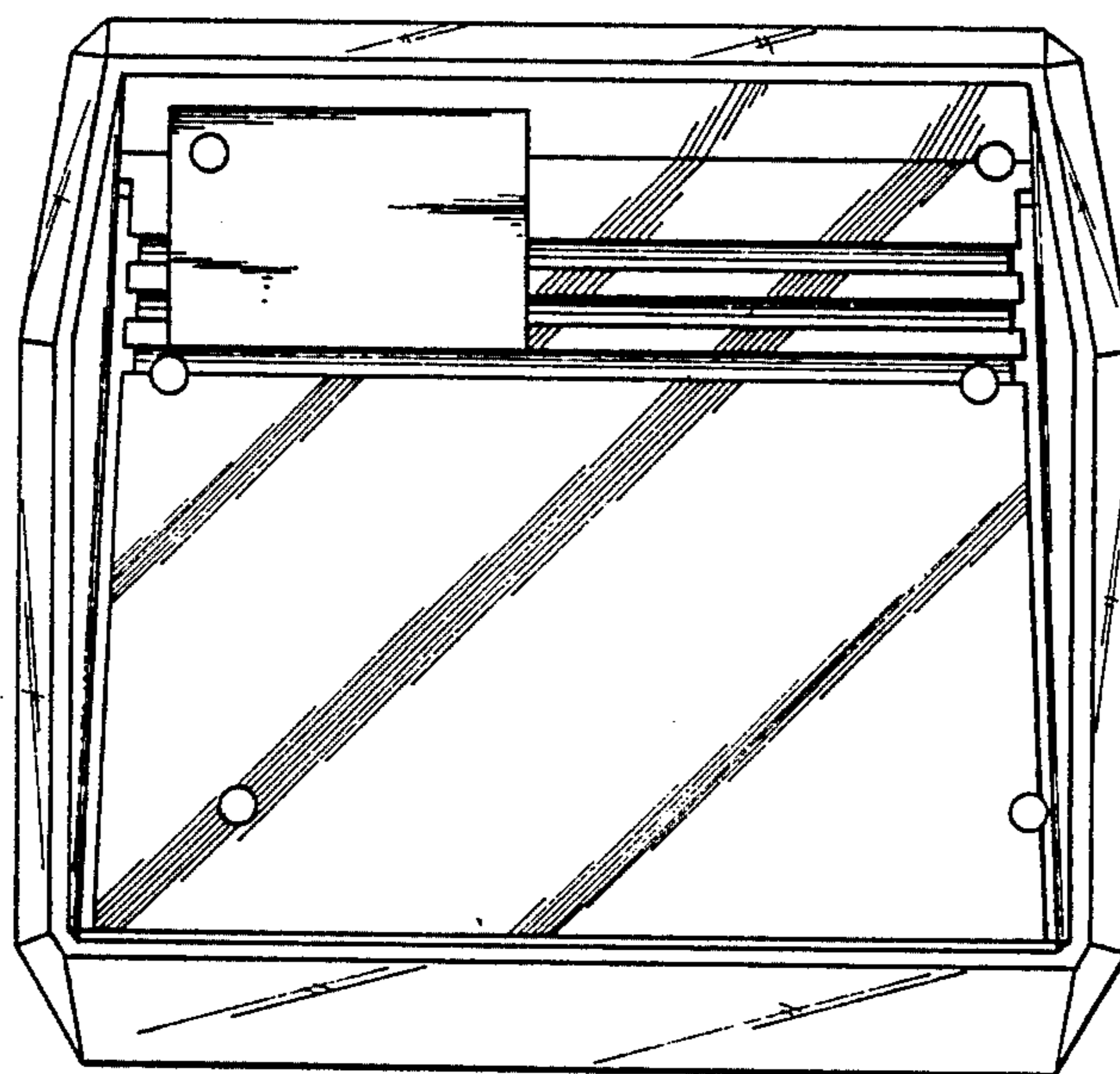


FIG. 6