

[54] GUITAR

[76] Inventor: Keith Strasser, 15 Sandalwood Dr.,
Smithtown, N.Y. 11787

[**] Term: 14 Years

[21] Appl. No.: 29,469

[22] Filed: Mar. 23, 1987

[52] U.S. Cl. D17/18; D17/14

[58] Field of Search D17/14, 18, 19, 20;
84/1.16, 267, 291, 293

[56] References Cited

U.S. PATENT DOCUMENTS

D. 256,368	8/1980	Bolen	D17/14
D. 265,833	8/1982	Sciuto	D17/14
D. 270,254	8/1983	Hardy	D17/14

OTHER PUBLICATIONS

Maintenance and Care of Hand Tools, 1945, p. 39 (item at top right of the page).

Primary Examiner—Bernard Ansher
Assistant Examiner—Adir Aronovich
Attorney, Agent, or Firm—Alfred M. Walker

[57] CLAIM

The ornamental design for a guitar, as shown.

DESCRIPTION

FIG. 1 is a top front perspective view of a guitar showing my new design;
FIG. 2 is a top plan view thereof;
FIG. 3 is front elevation thereof;
FIG. 4 is a left end elevation thereof;
FIG. 5 is a right end elevation view thereof;
FIG. 6 is a rear elevation thereof;
FIG. 7 is a bottom plan view thereof.

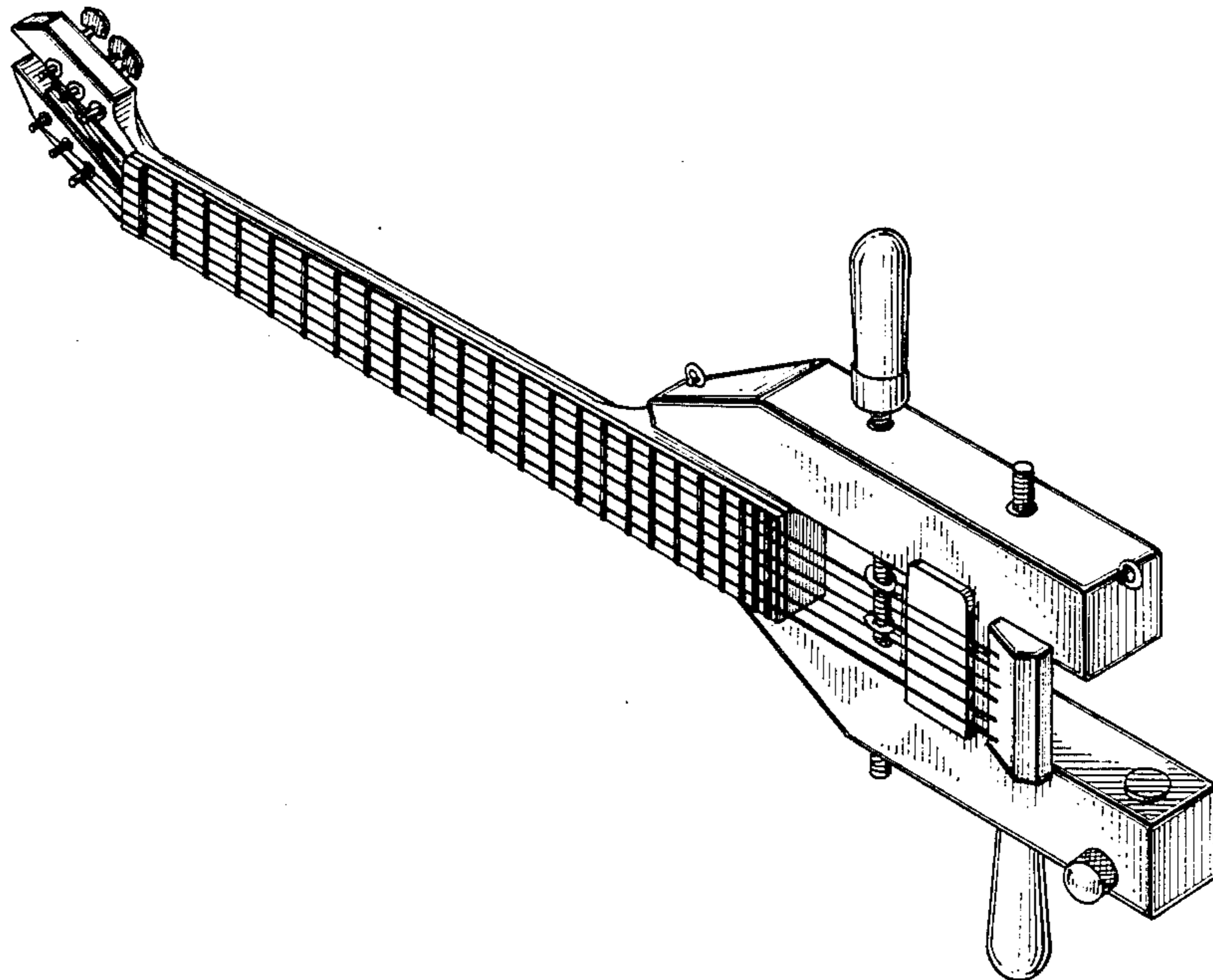


Fig. 1

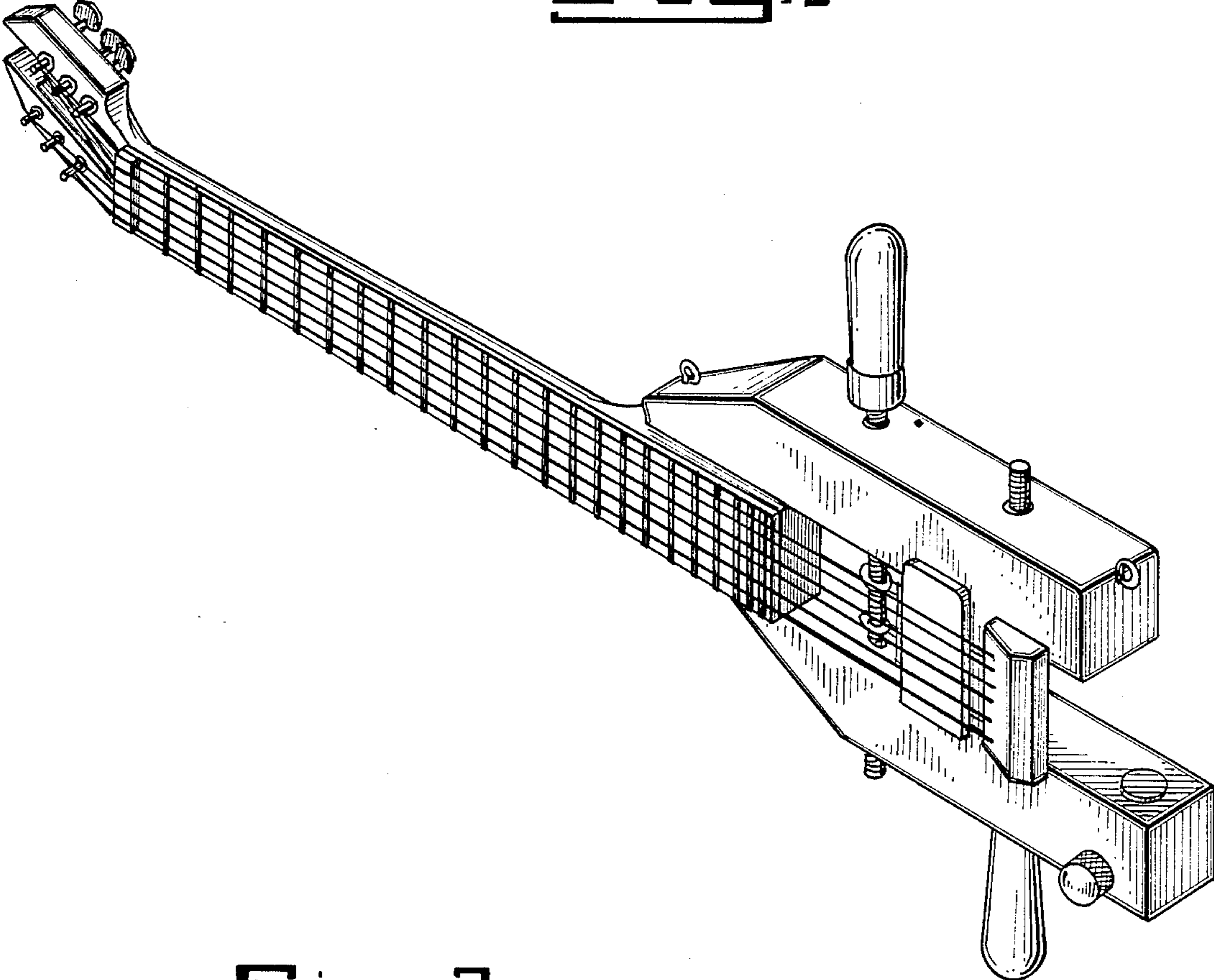


Fig. 2



Fig. 3

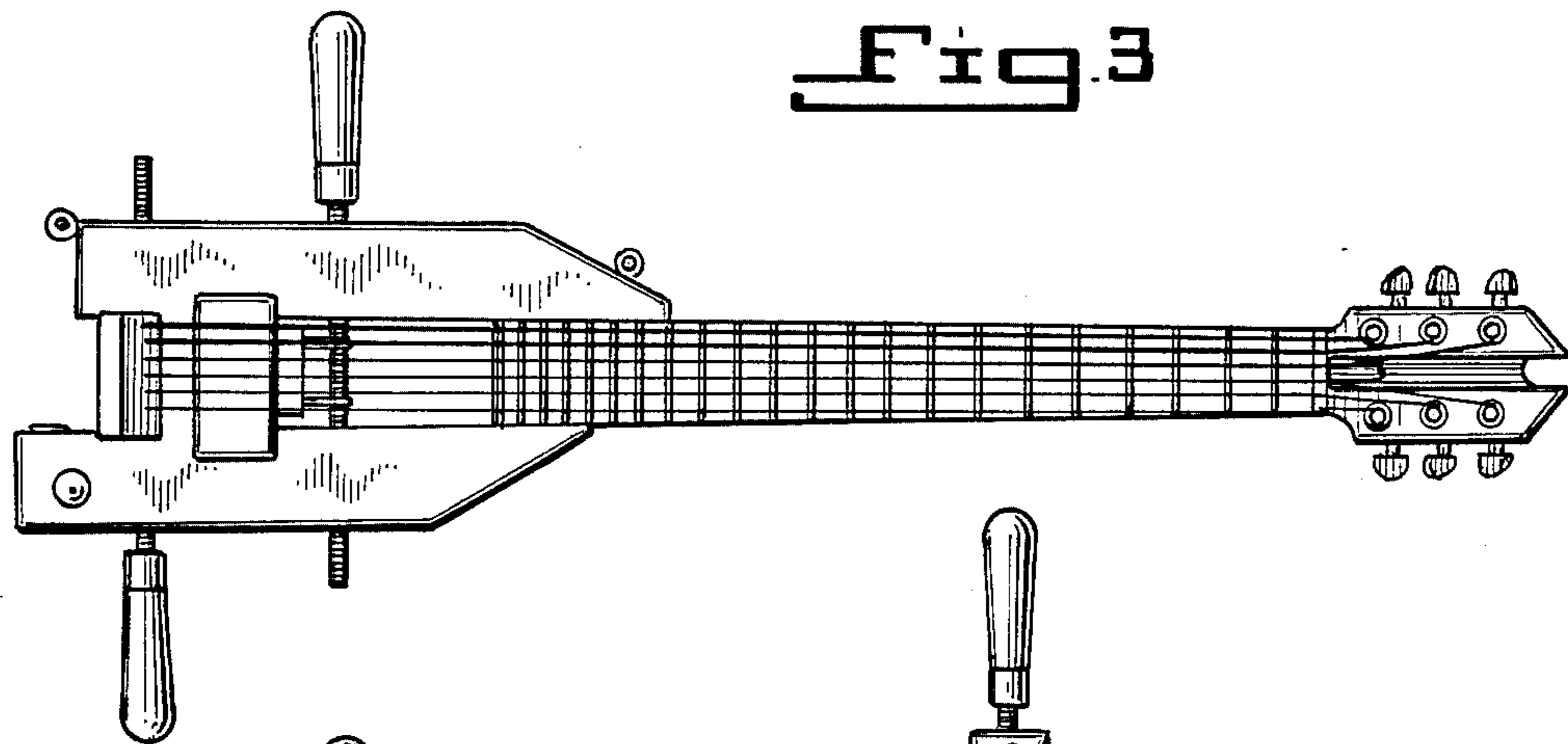


Fig. 4

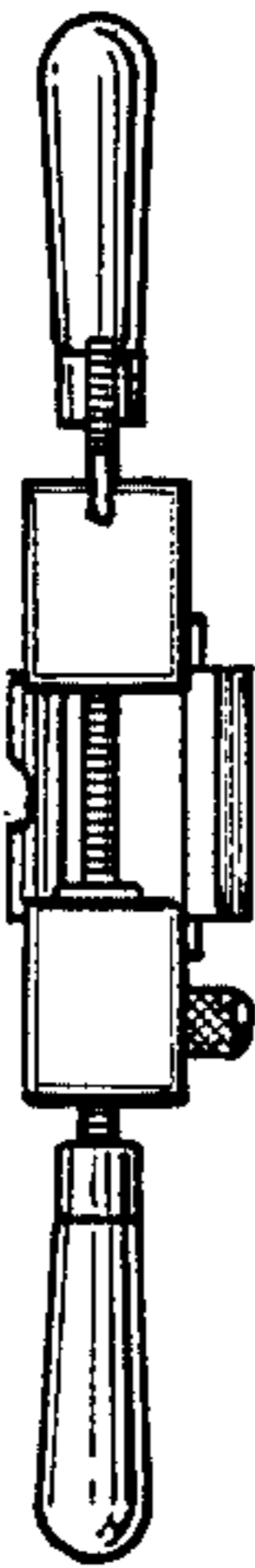


Fig. 5

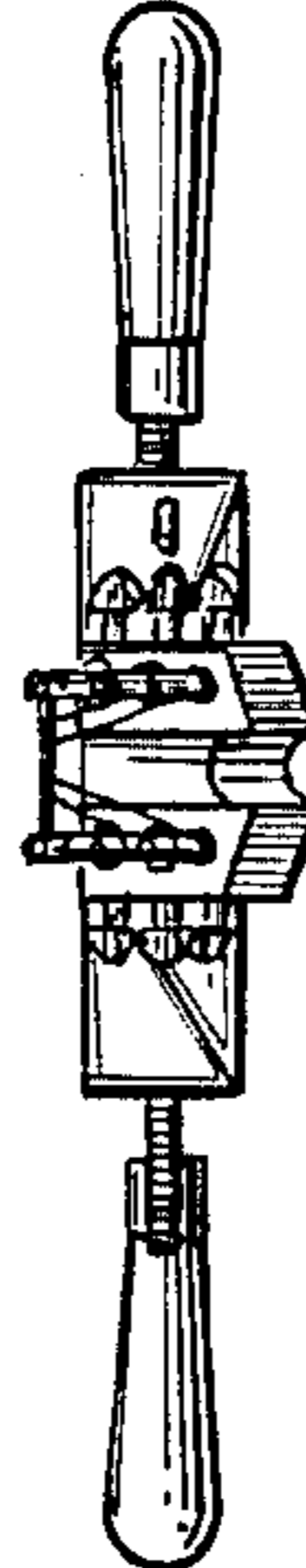


Fig. 6

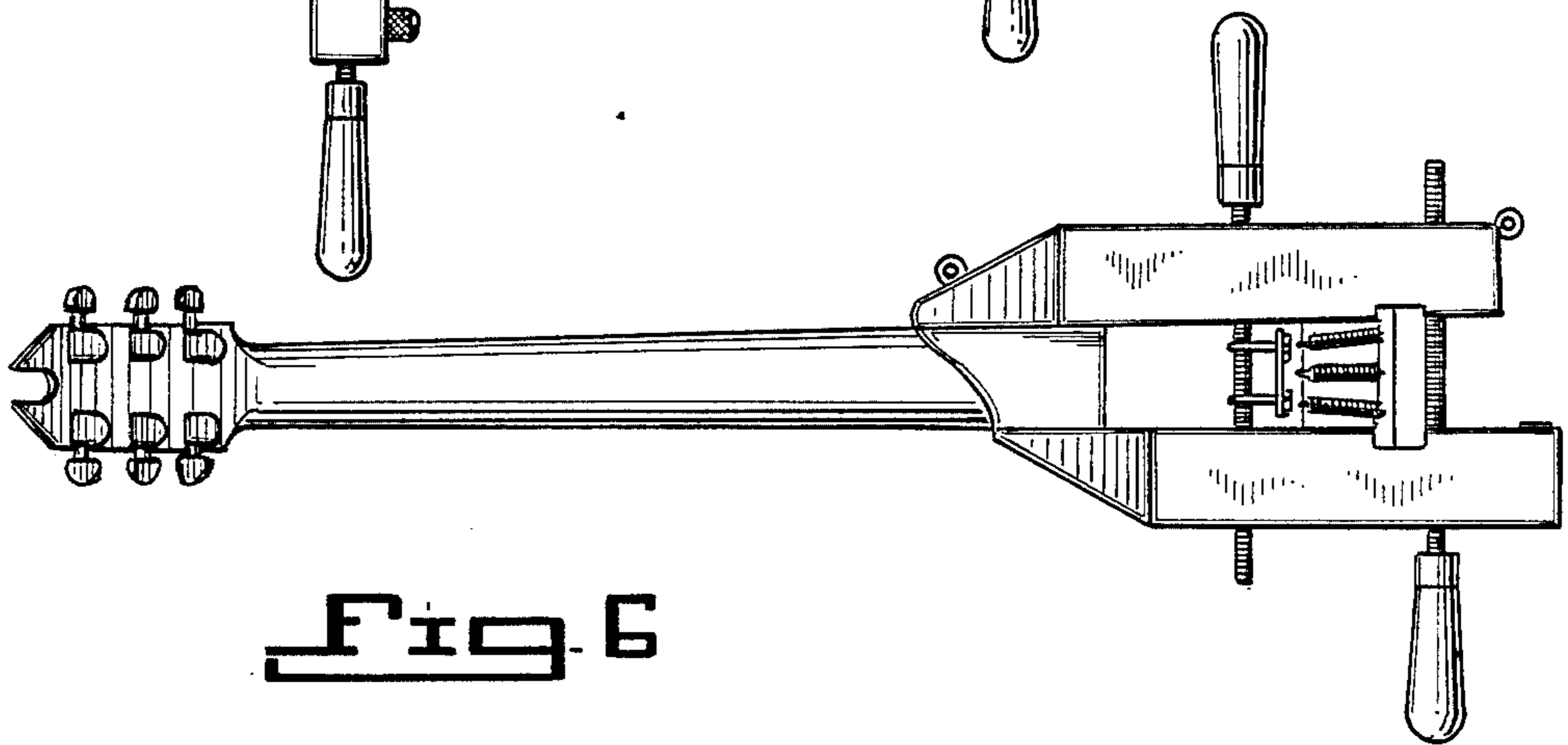


Fig. 7

