

[54] **MICROFILM READER**

4,203,658 5/1980 Peters ..... 353/26 R

[75] **Inventor: Peretz Chaikin, Habika, Israel**

[73] **Assignee: Microvue Products, Habika, Israel**

[\*\*] **Term: 14 Years**

[21] **Appl. No.: 890,525**

[22] **Filed: Jul. 30, 1986**

[52] **U.S. Cl. .... D16/225; D16/221**

[58] **Field of Search ..... D16/221, 223, 224, 225;  
353/74, 75, 77, 79, 119, 122**

**OTHER PUBLICATIONS**

Micro Design, Aug., 1976, front page.

*Primary Examiner*—Bernard Ansher

*Assistant Examiner*—Adir Aronovich

*Attorney, Agent, or Firm*—Browdy and Neimark

[57] **CLAIM**

The ornamental design for a microfilm reader, as shown.

**DESCRIPTION**

FIG. 1 is a top front left side perspective view of a microfilm reader showing my new design;

FIG. 2 is a left side elevational view thereof;

FIG. 3 is a right side elevational view thereof;

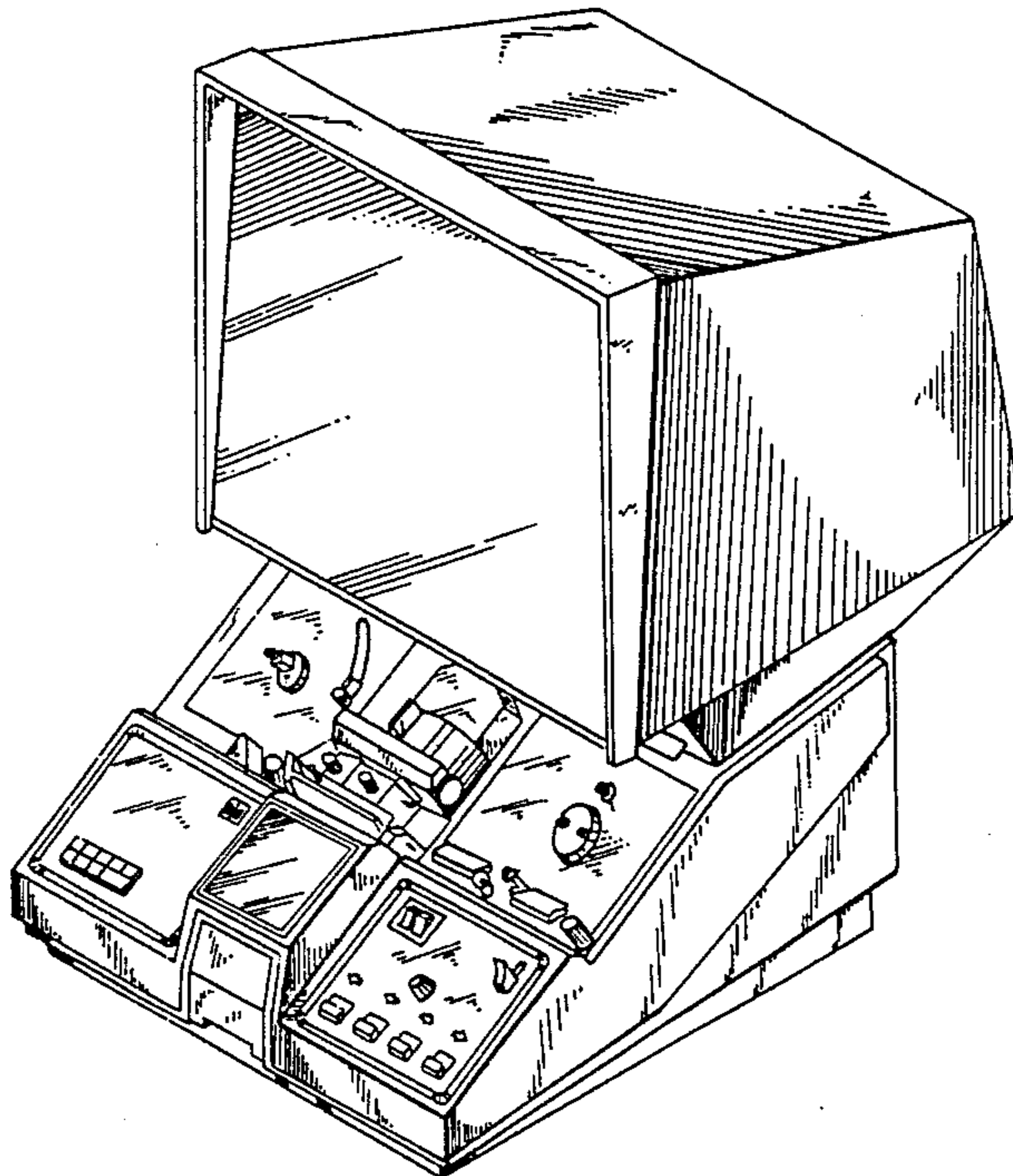
FIG. 4 is a rear side elevational view thereof; and

FIG. 5 is a bottom plan view thereof.

[56] **References Cited**

**U.S. PATENT DOCUMENTS**

D. 247,178	2/1978	Kubnick et al. ....	D16/225
D. 260,998	9/1981	Hall .....	D16/225
D. 264,850	6/1982	Hall .....	D16/225



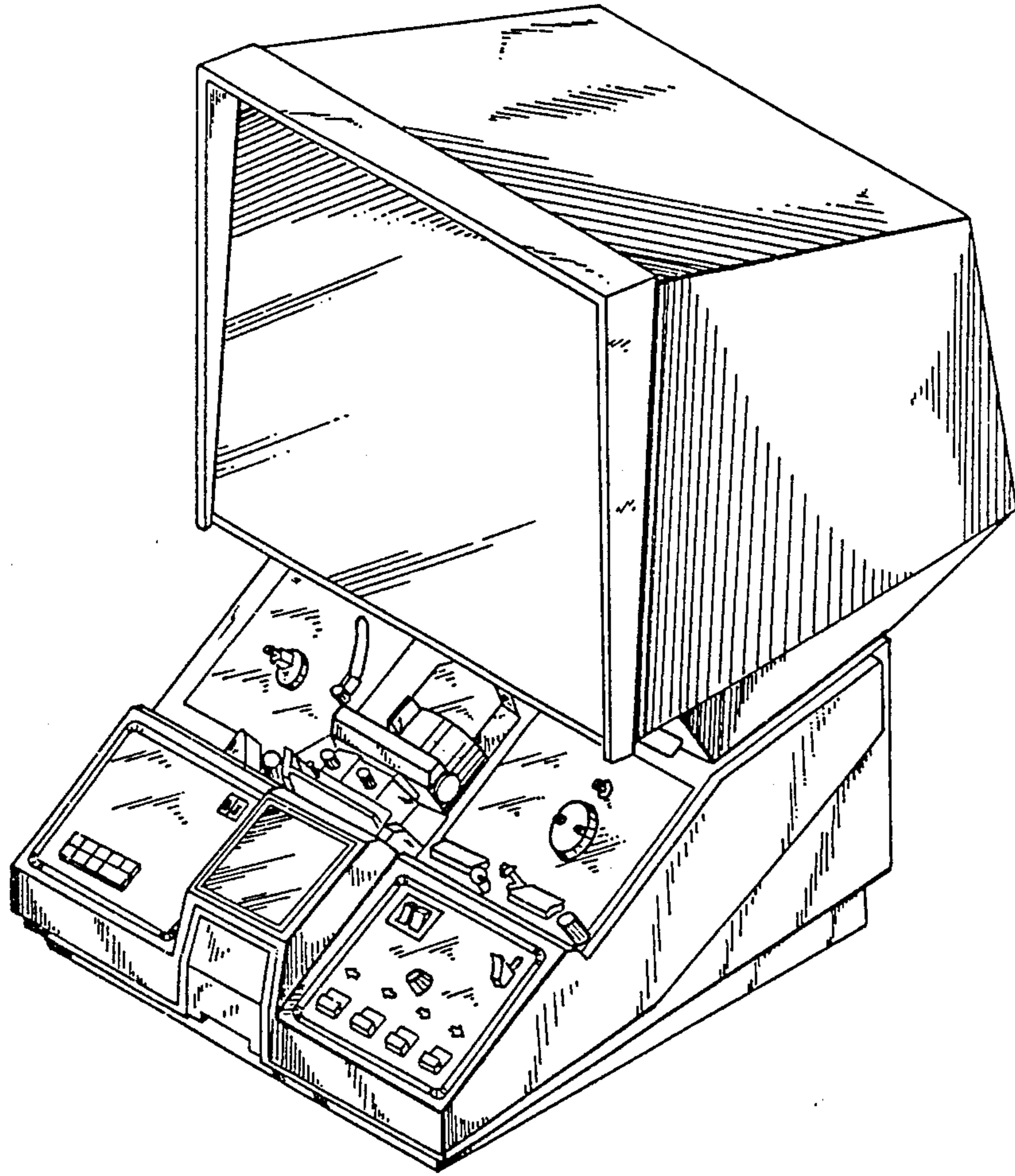


FIG 1

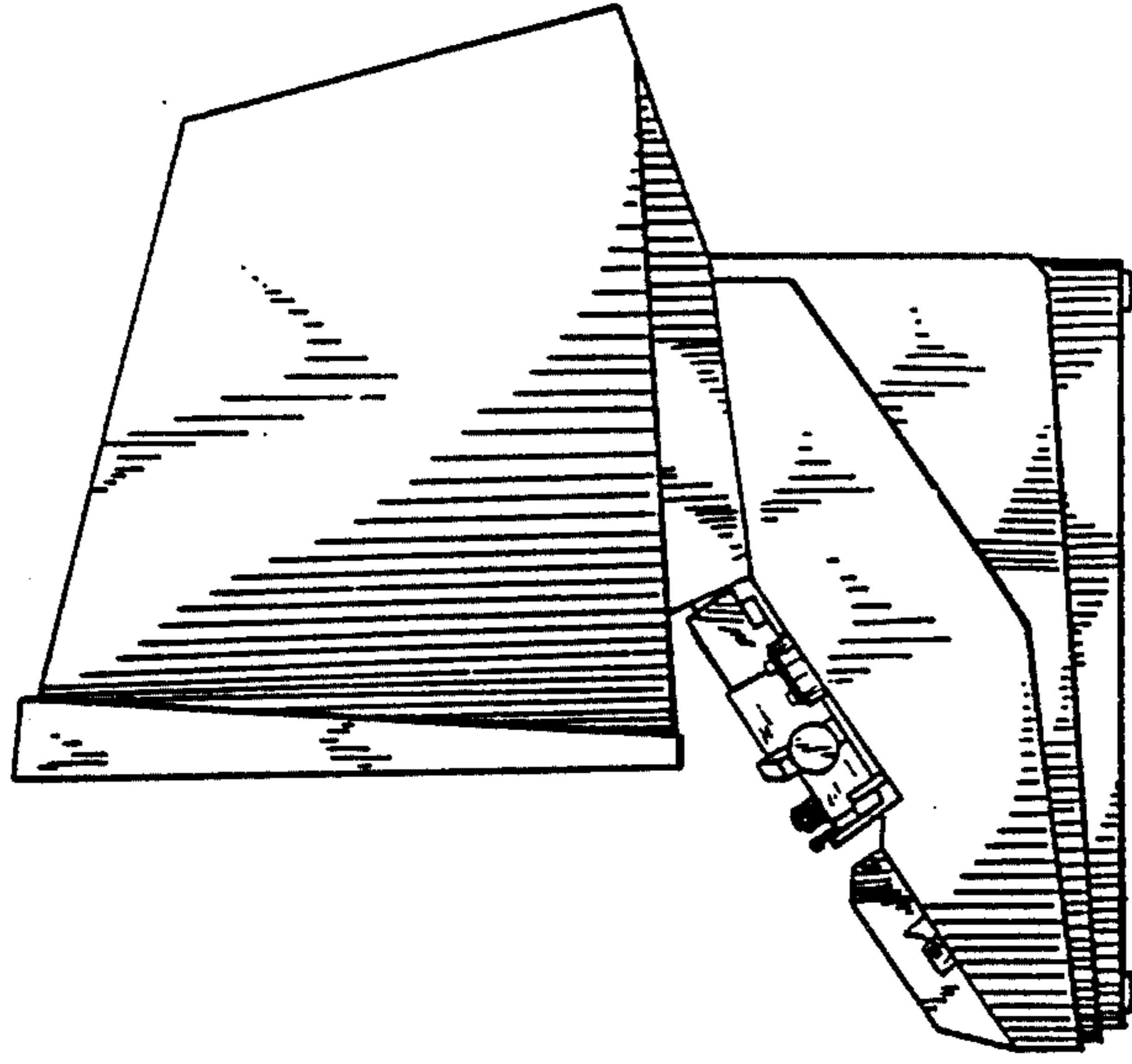


FIG 3

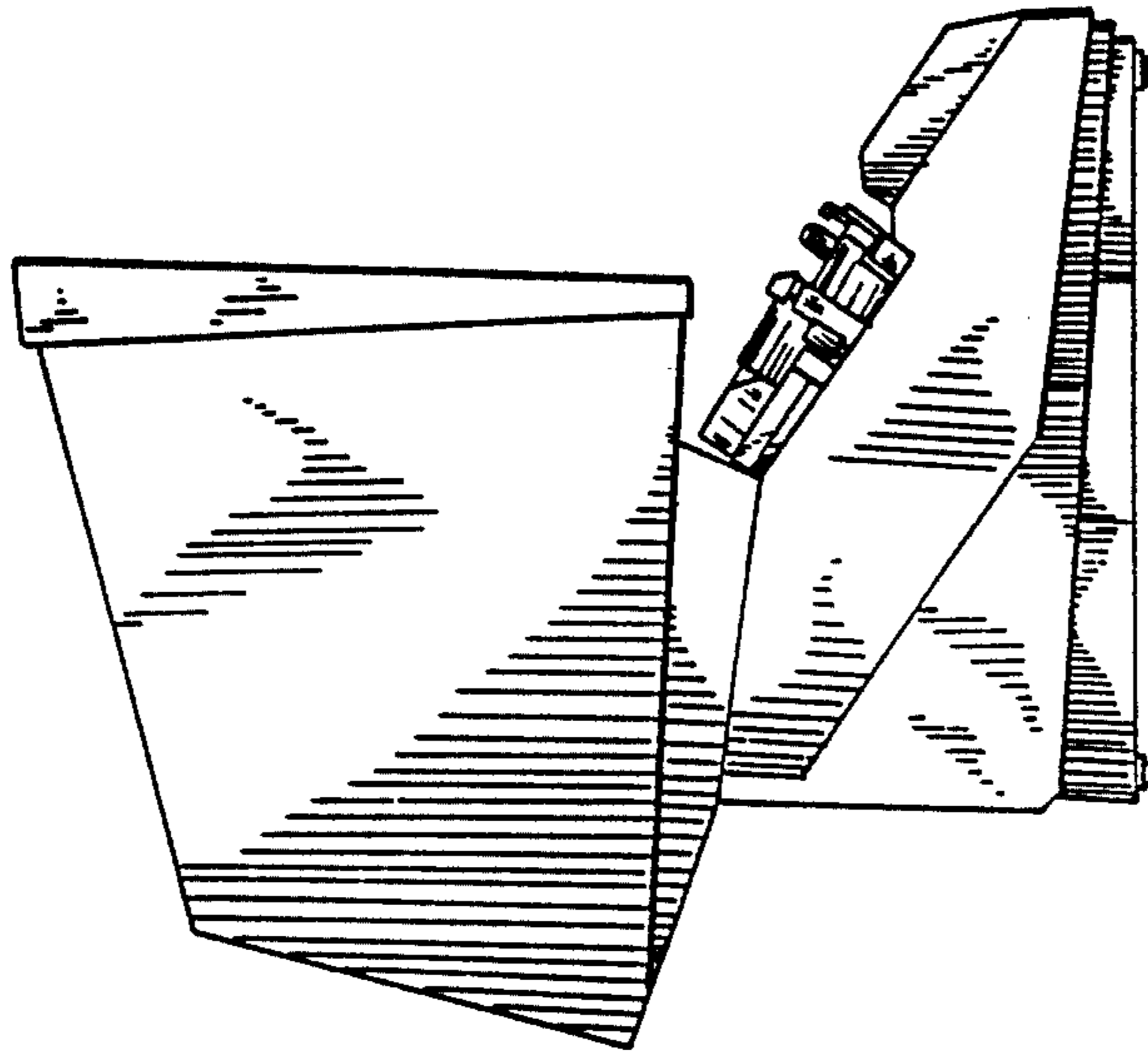


FIG 2

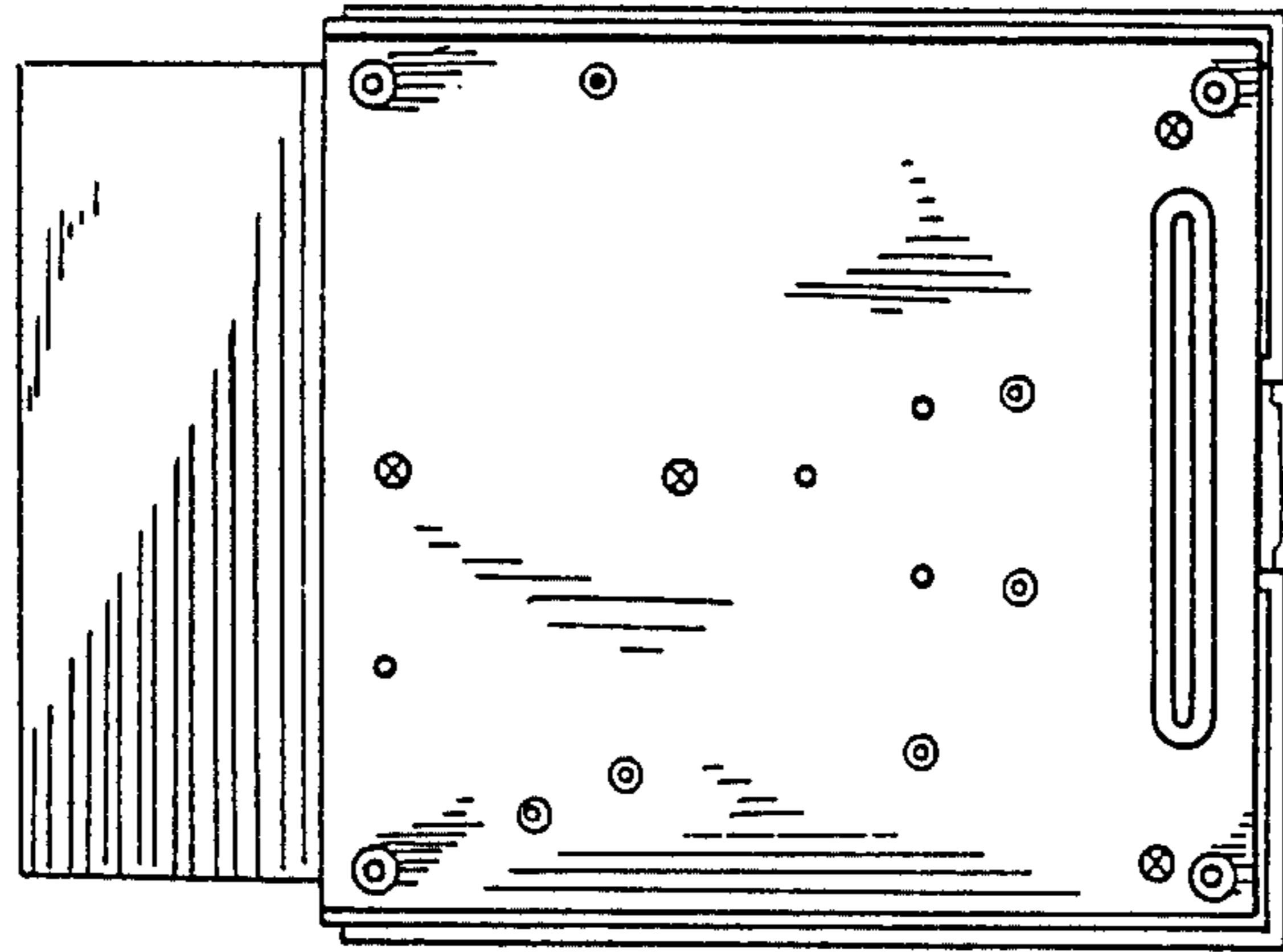


FIG 5

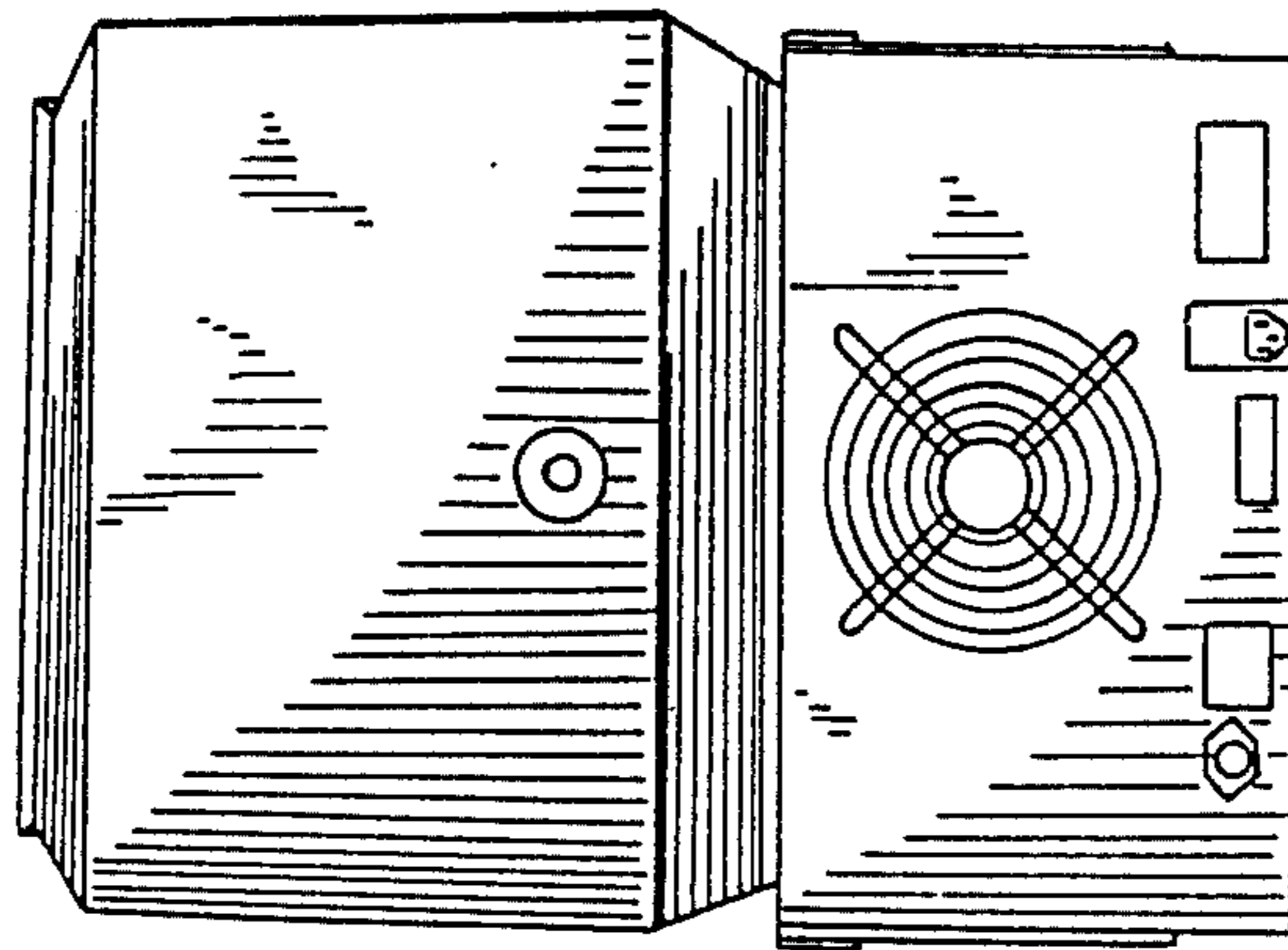


FIG 4