

[54] MACHINE FOR INSERTING PAPER SHEETS INTO ENVELOPES

[75] Inventor: Charles E. Bain, West Dundee, Ill.

[73] Assignee: Bell & Howell Company, Skokie, Ill.

[**] Term: 14 Years

[21] Appl. No.: 34,587

[22] Filed: Apr. 6, 1987

[52] U.S. Cl. D15/199; D15/147

[58] Field of Search 209/584, 900; D15/199, D15/147; D18/34, 99; 53/266 A

[56] References Cited

U.S. PATENT DOCUMENTS

D. 300,747	4/1989	Bain	D15/147
D. 301,150	5/1989	Bain	D15/147
1,738,119	12/1929	Sague	53/266 AX

2,839,880	6/1958	Boughton	53/266 A
3,568,401	3/1971	Bonsch	53/266 A
4,576,287	3/1986	Bingham et al.	209/900 X

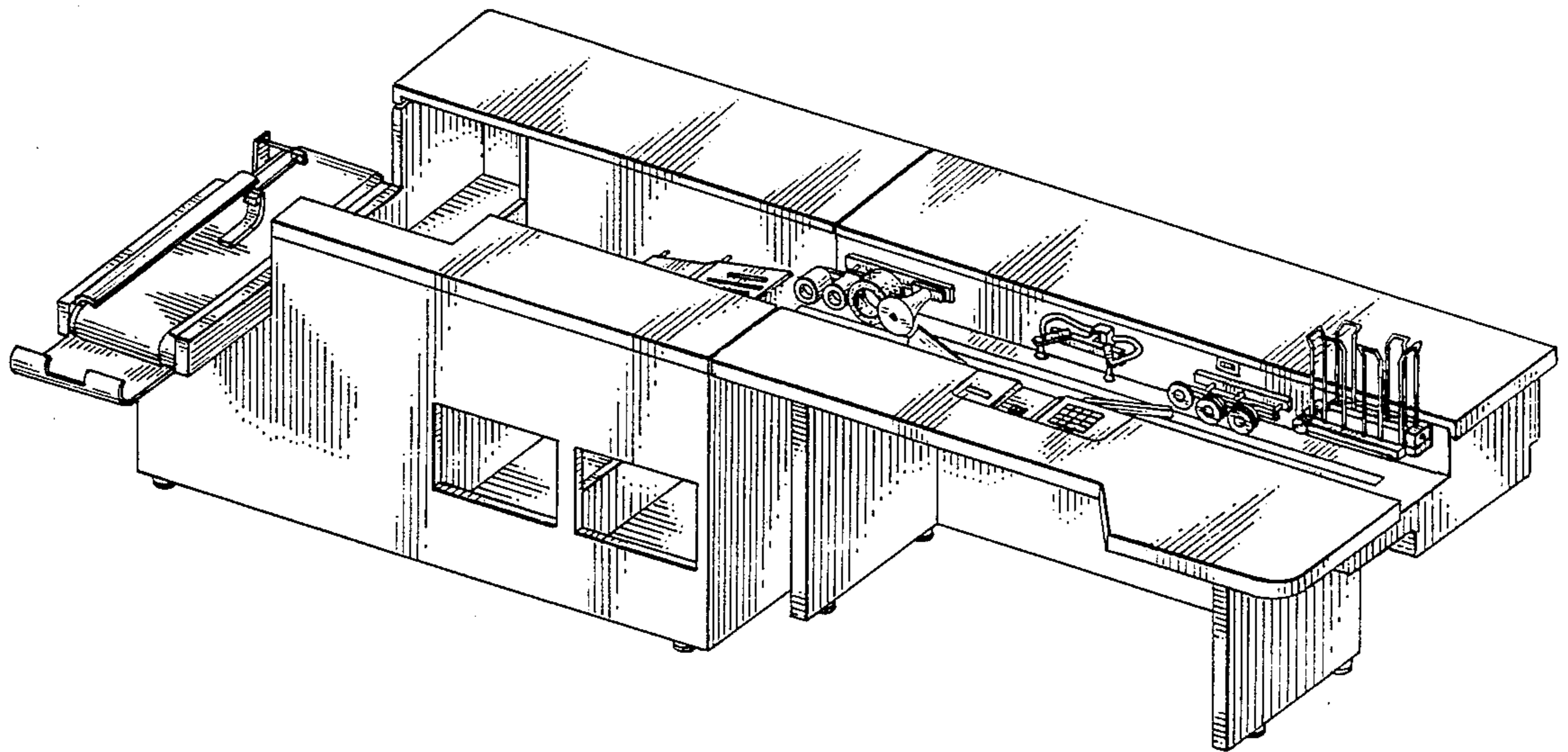
Primary Examiner—Bruce W. Dunkins
Assistant Examiner—Jeffrey Asch
Attorney, Agent, or Firm—Alan B. Samlan

[57] CLAIM

The ornamental design for a machine for inserting paper sheets into envelopes, as shown and described.

DESCRIPTION

FIG. 1 is a front elevational view of a machine for inserting paper sheets into envelopes showing my design;
FIG. 2 is a top plan view thereof;
FIG. 3 is a left side elevational view thereof;
FIG. 4 is a right side elevational view thereof;
FIG. 5 is a perspective view thereof; and
FIG. 6 is a rear elevational view thereof.



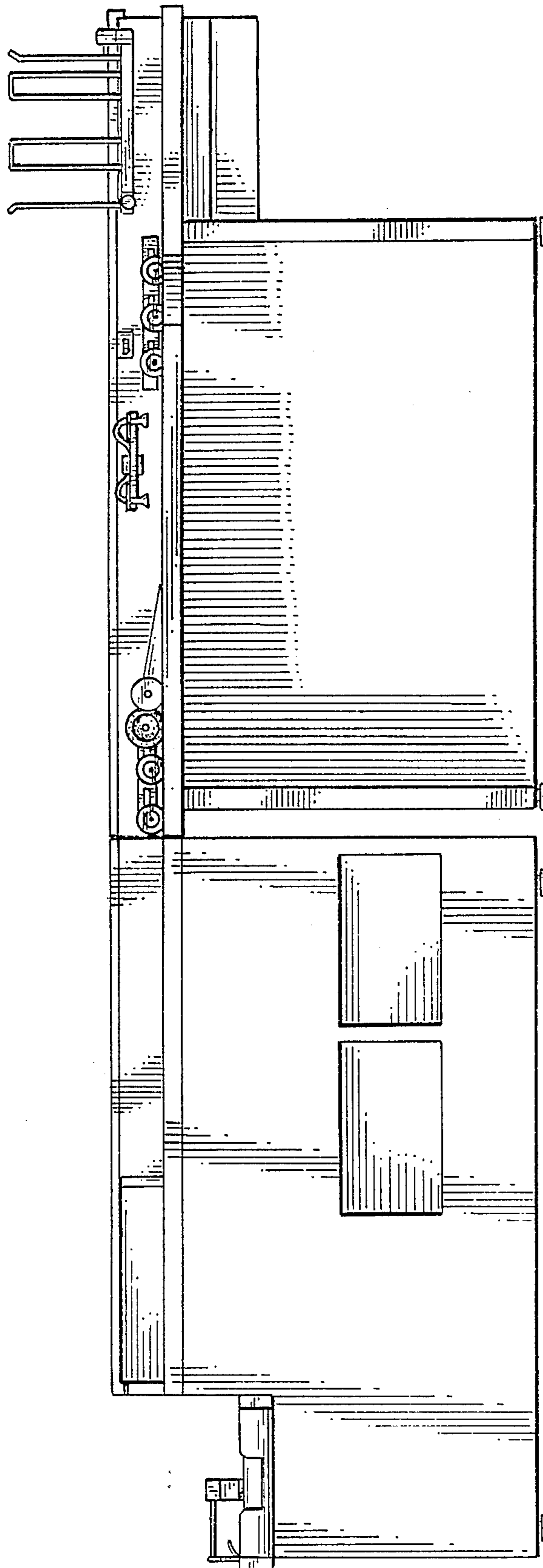


Fig. 1

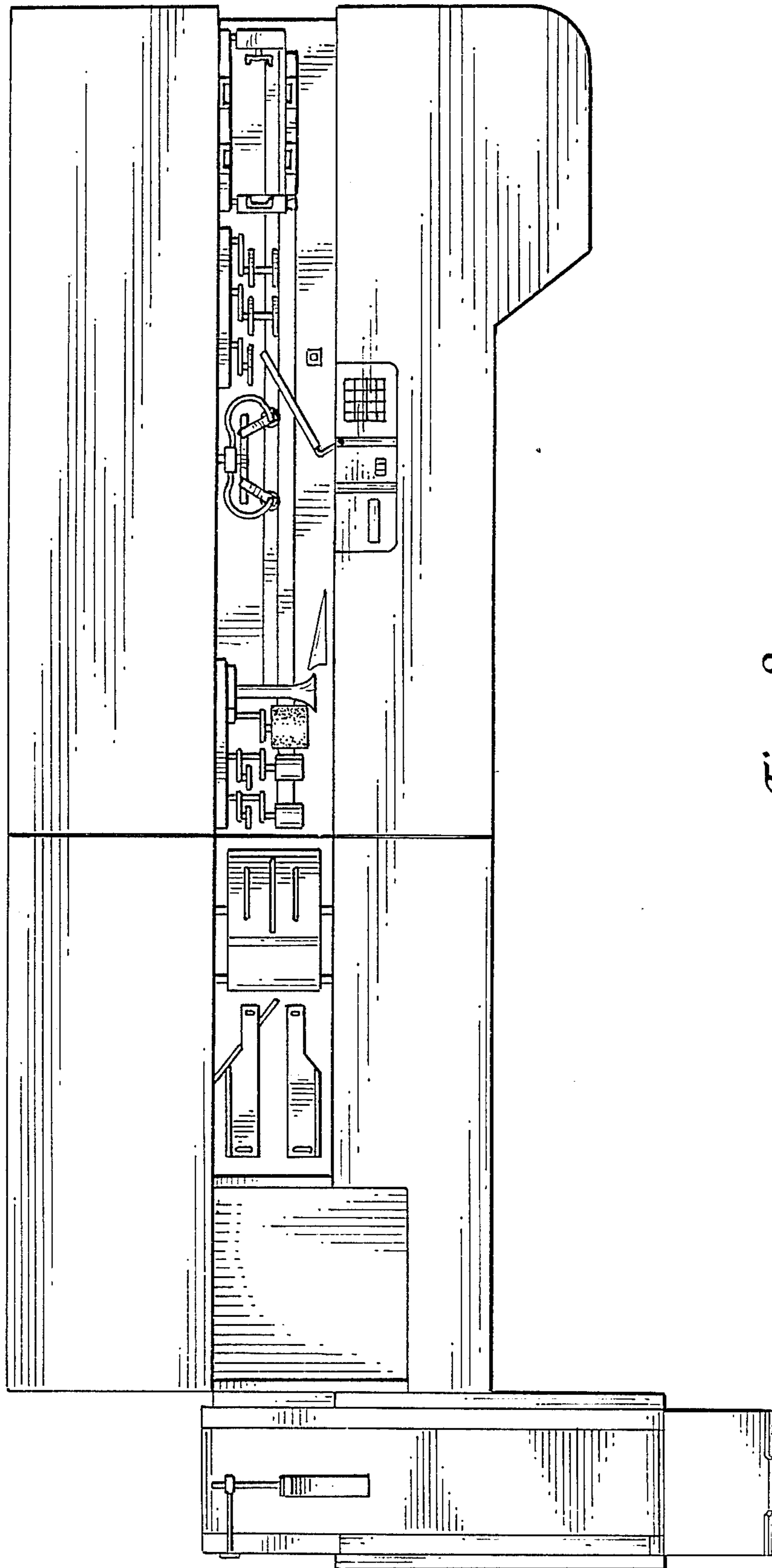


Fig. 2

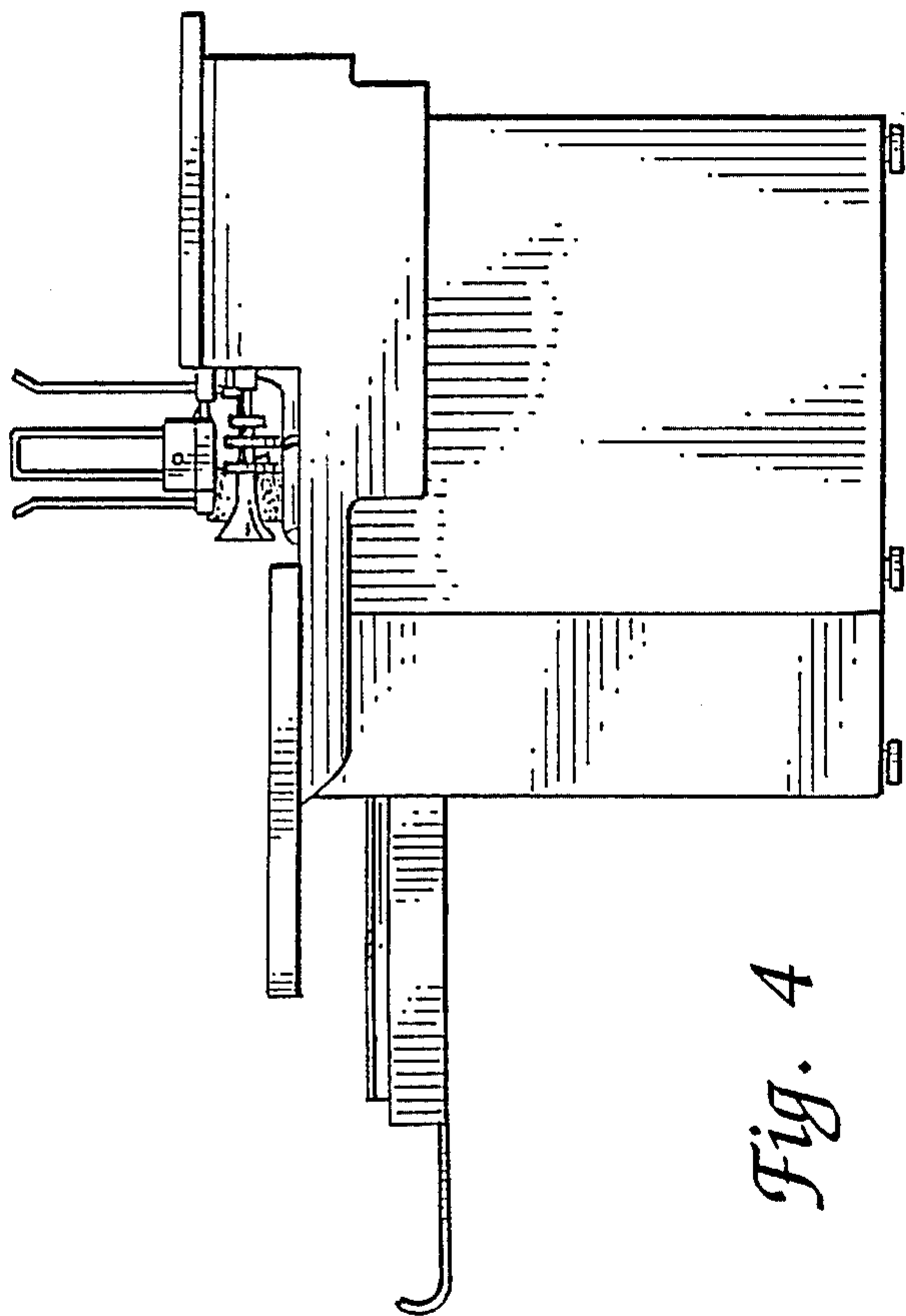


Fig. 4

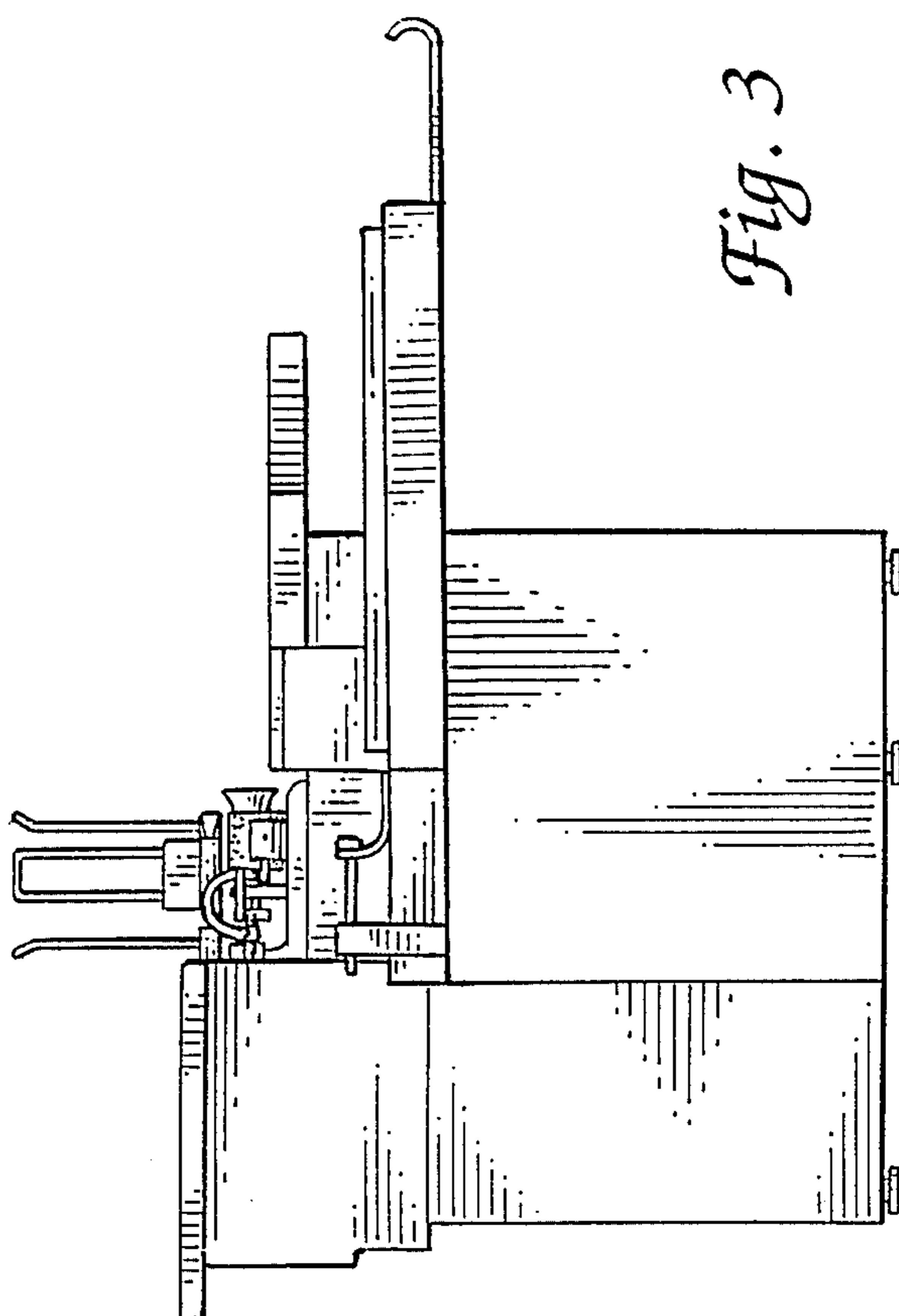


Fig. 3

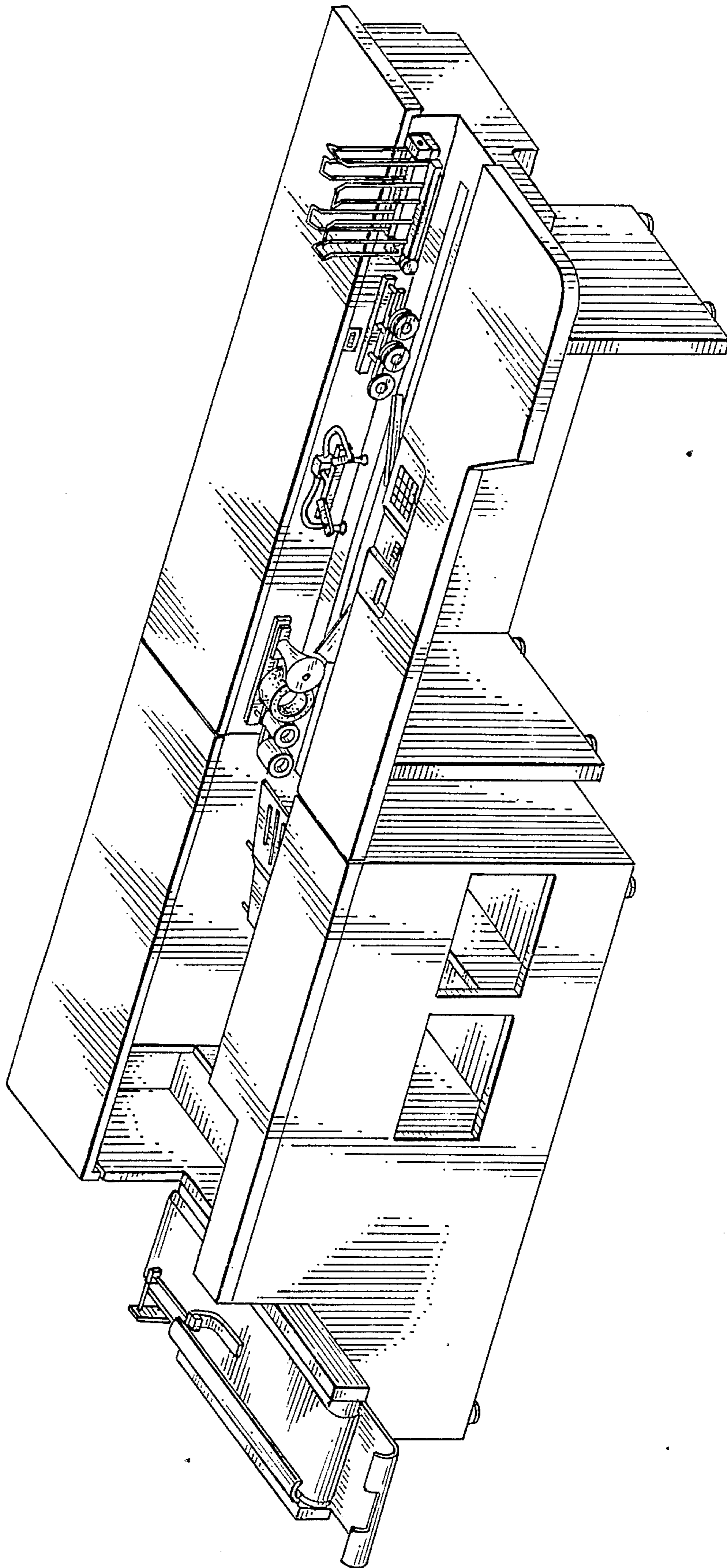


Fig. 5

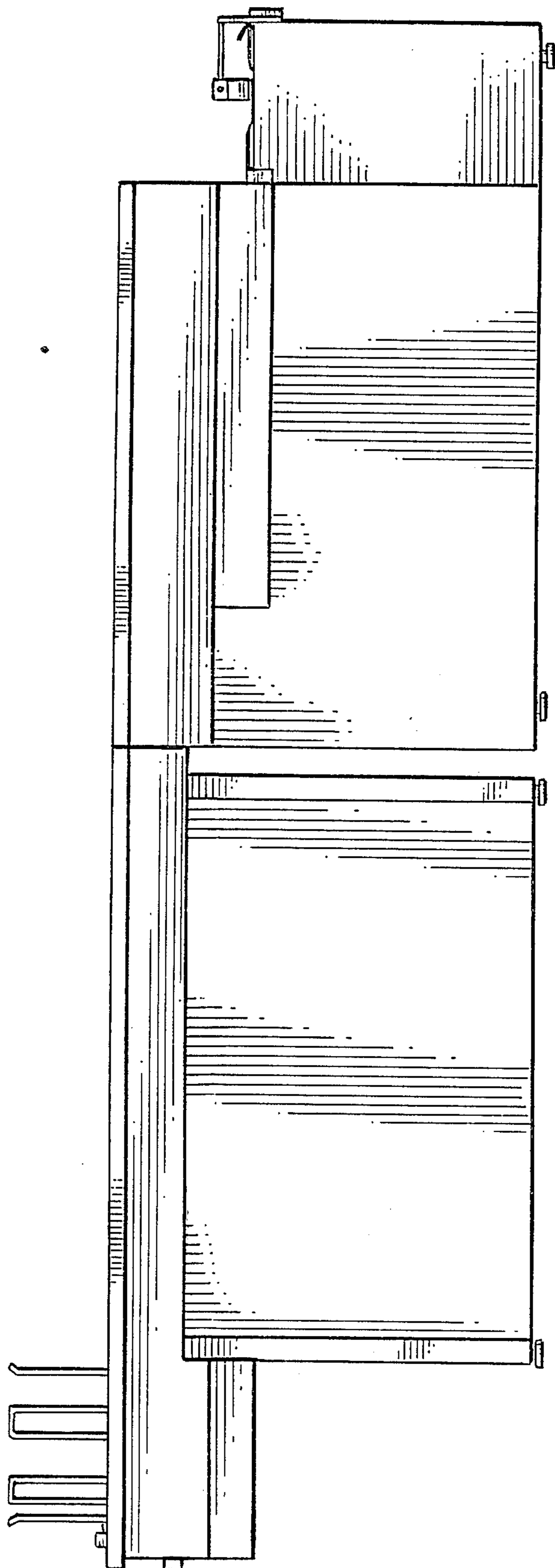


Fig. 6