

[54] NOSE PIECE FOR A PECK DRILL

4,764,060 8/1988 Khurana ..... 408/14

[75] Inventors: Joseph F. Carter; John F. Stewart;  
James A. Maass, all of Lexington,  
S.C.

[73] Assignee: Cooper Industries, Inc., Houston,  
Tex.

[\*\*] Term: 14 Years

[21] Appl. No.: 116,124

[22] Filed: Oct. 30, 1987

[52] U.S. Cl. .... D15/138

[58] Field of Search ..... D15/139, 138, 140, 132;  
408/17, 14, 130, 702, 95, 97; D8/61

[56] References Cited

U.S. PATENT DOCUMENTS

- D. 269,520 6/1983 Braun ..... D15/138 X
- 2,854,870 8/1958 Chaffee et al. .... 408/14 X
- 4,538,943 9/1985 Clifton et al. .... 408/14

OTHER PUBLICATIONS

Aro Equipment Corp. Brochure, p. 1, sec. 3, Model  
PO-52A & p. 5, sec. 3, all.

Primary Examiner—Bruce W. Dunkins

Assistant Examiner—Jeffrey Asch

Attorney, Agent, or Firm—Donald J. Verplancken;

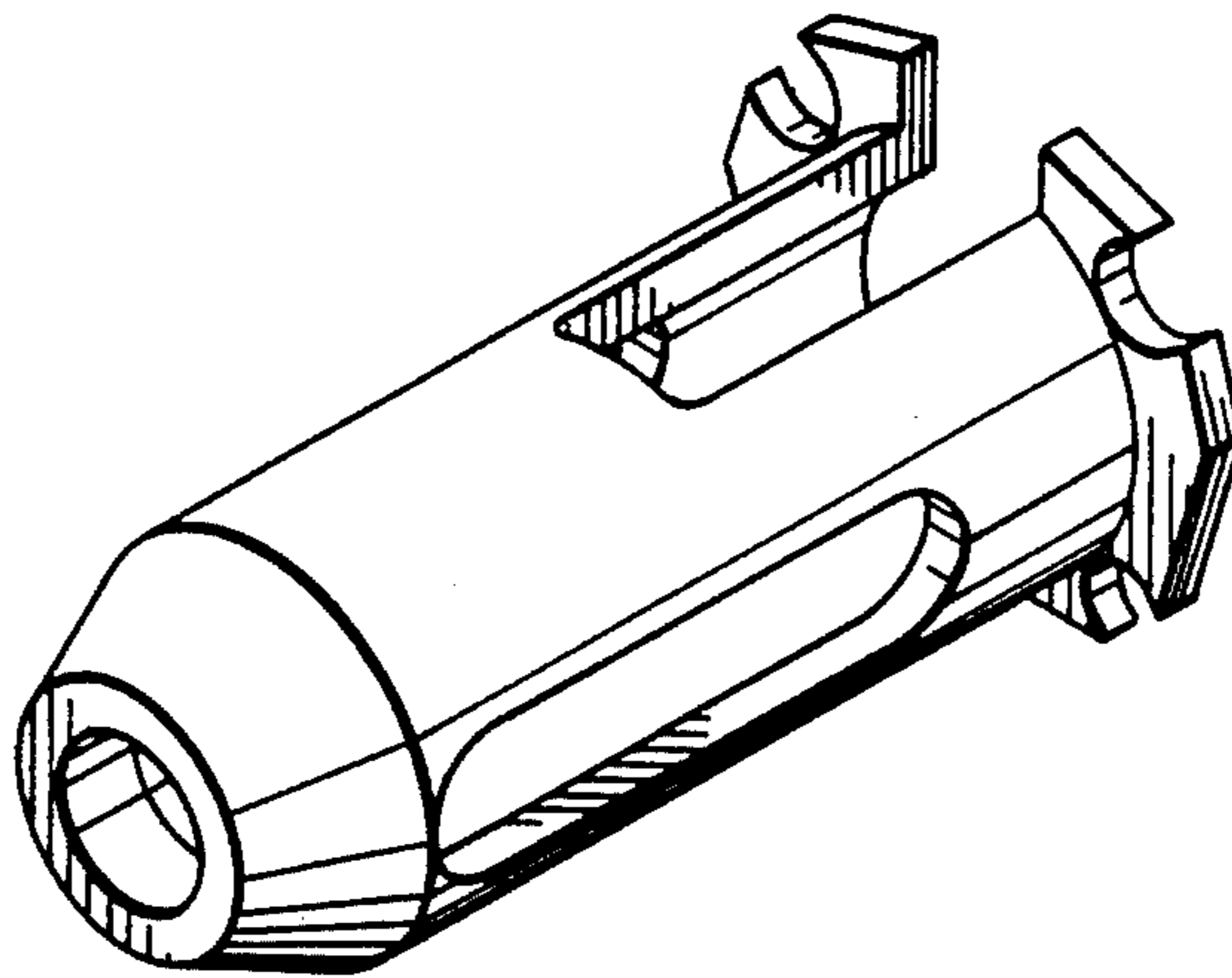
David A. Rose; Ned L. Conley

[57] CLAIM

The ornamental design for a nose piece for a peck drill,  
as shown and described.

DESCRIPTION

FIG. 1 is a front perspective view of a nose piece for a  
drill showing our new design;  
FIG. 2 is a left side elevational view;  
FIG. 3 is a right side elevational view;  
FIG. 4 is a rear elevational view;  
FIG. 5 is a top plan view; and  
FIG. 6 is a bottom plan view thereof.



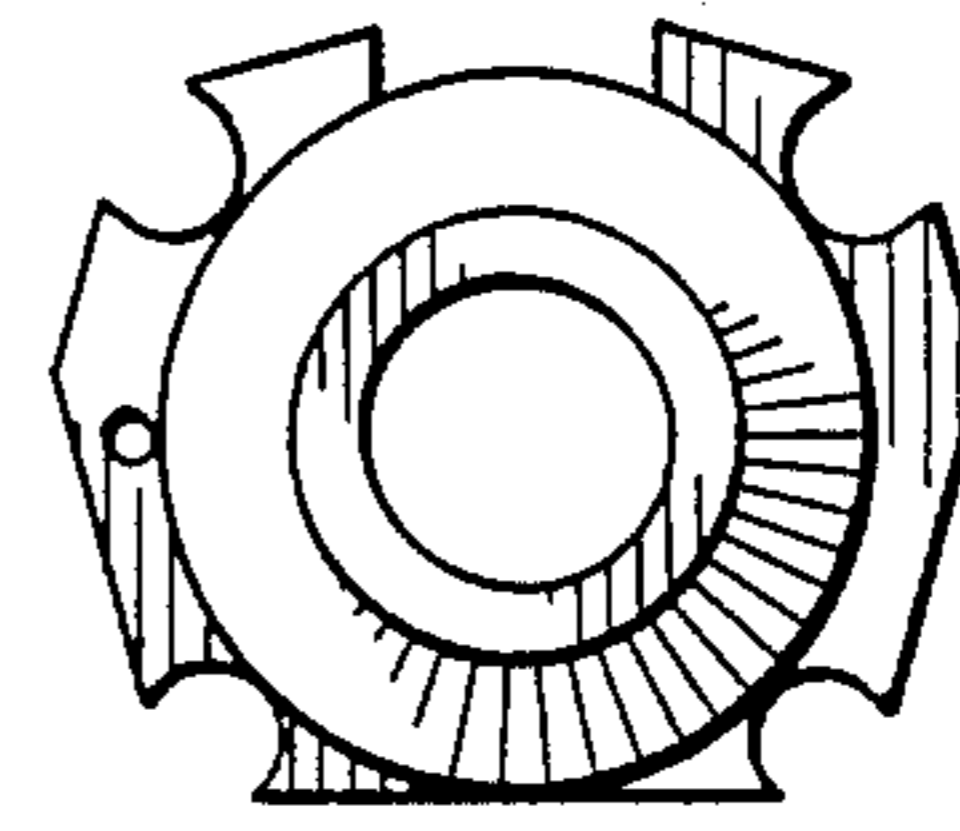
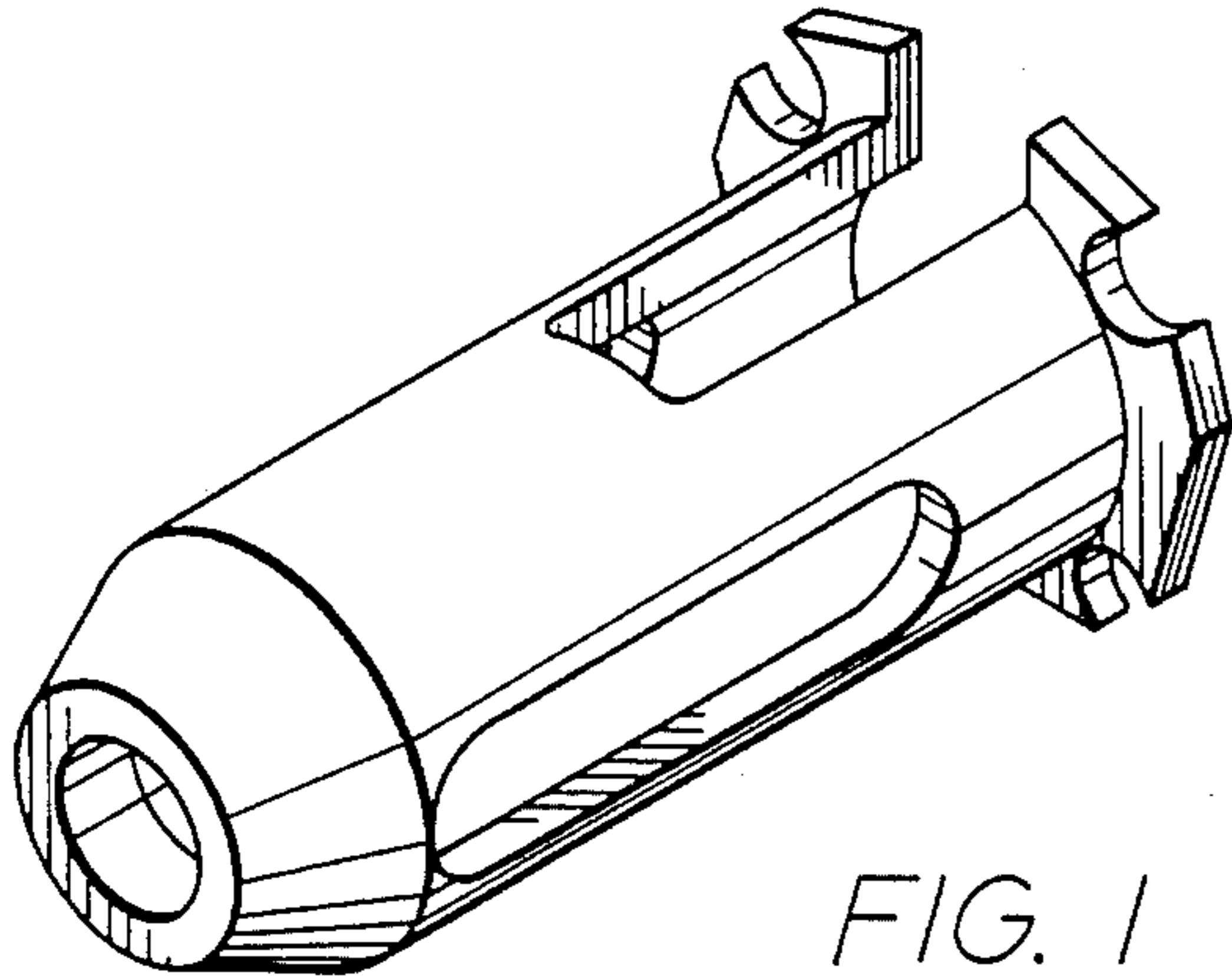


FIG. 2

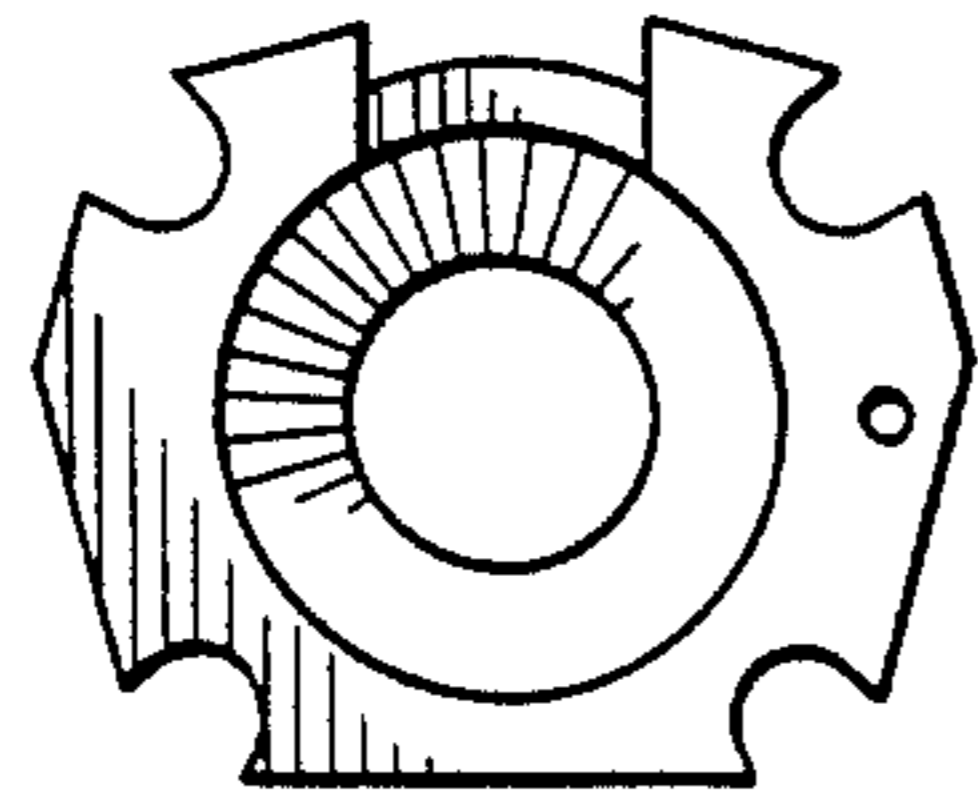


FIG. 3

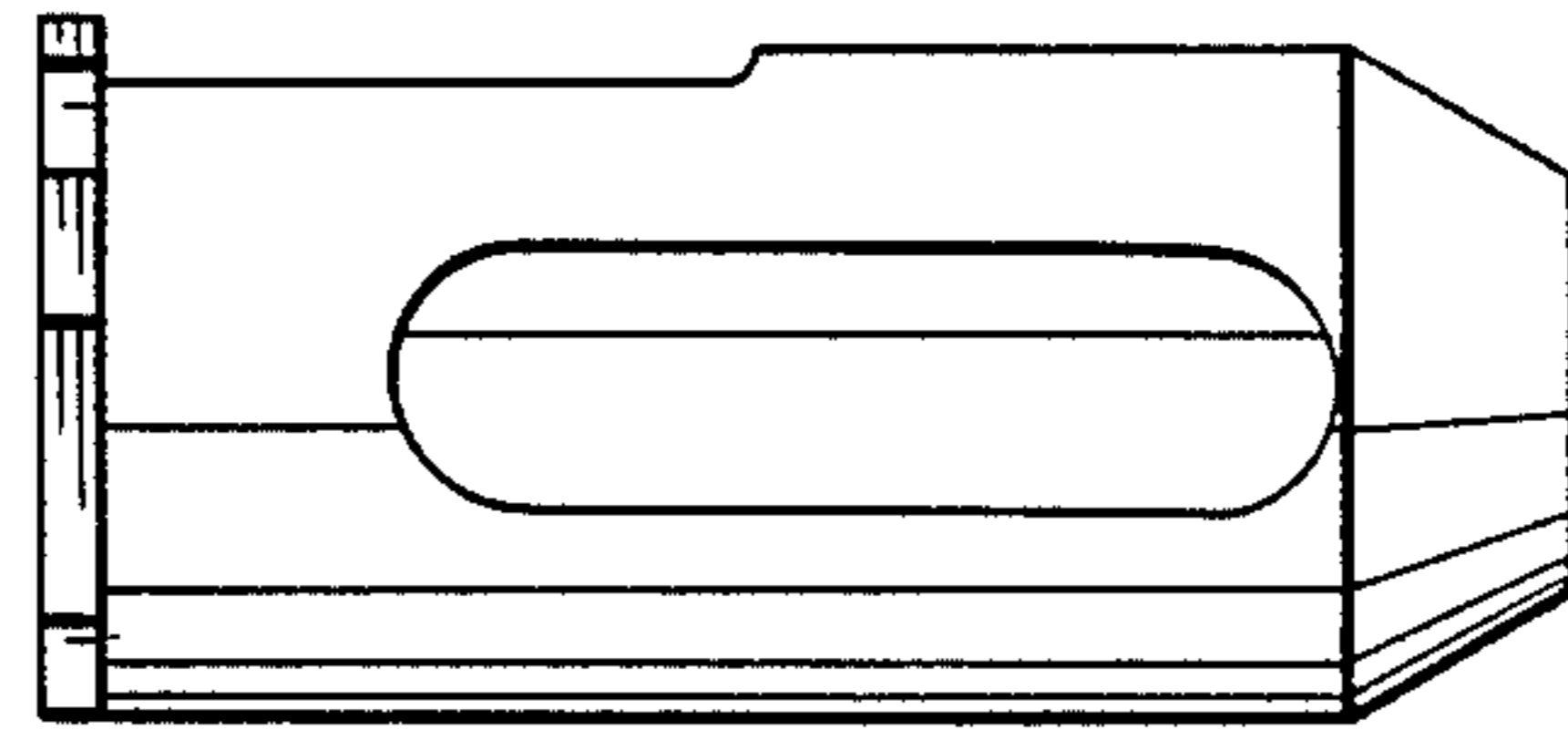


FIG. 4

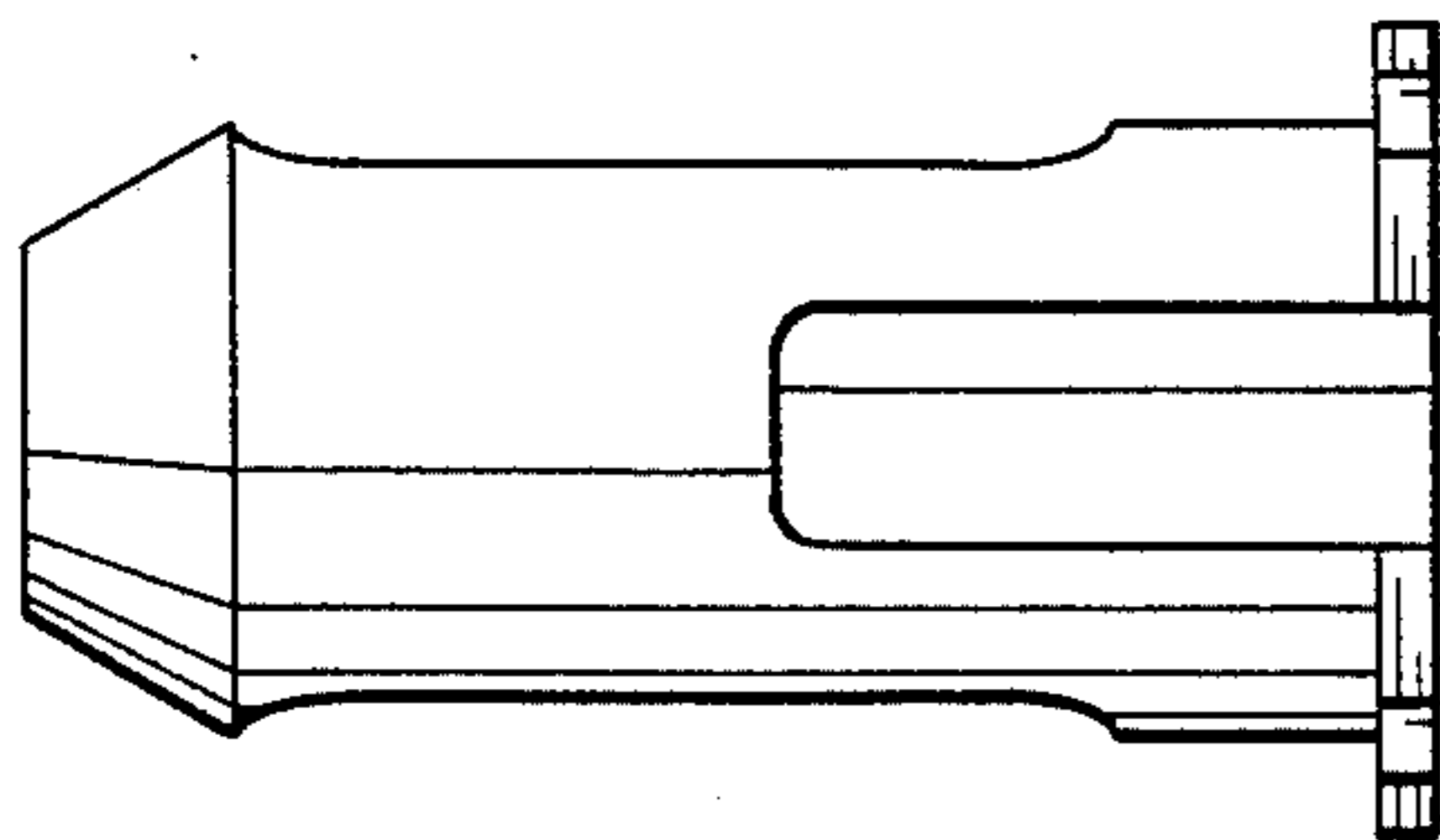


FIG. 5

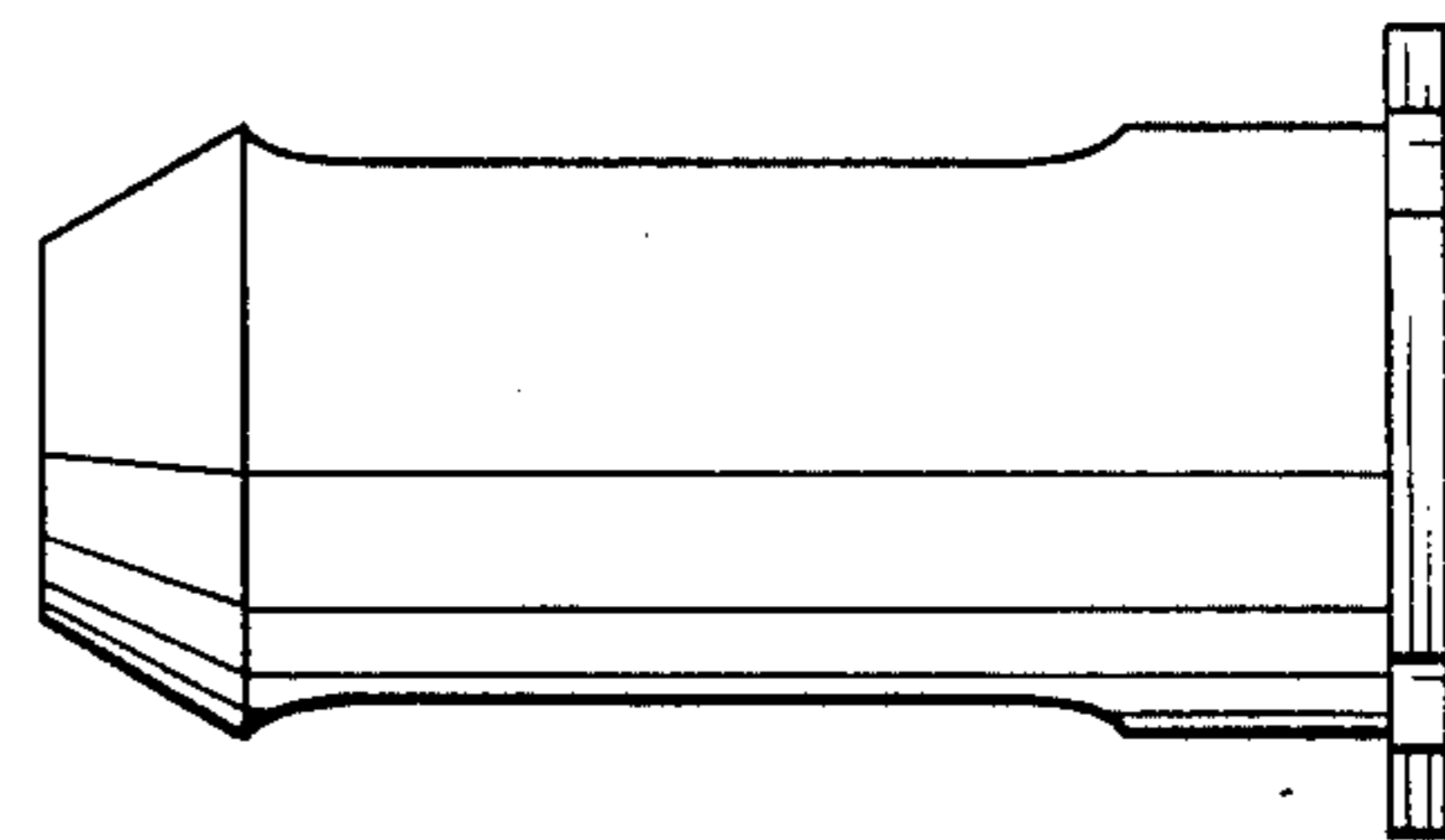


FIG. 6