

[54] BEVERAGE CAN HOLDER FOR A REFRIGERATOR

[76] Inventor: Ray E. Arnatt, 3412 Conrad Ave., San Diego, Calif. 92117

[\*\*] Term: 14 Years

[21] Appl. No.: 34,588

[22] Filed: Apr. 6, 1987

[52] U.S. Cl. .... D15/89

[58] Field of Search ..... D15/79, 89, 90; 211/49.1, 74, 153; 312/132

[56] References Cited

U.S. PATENT DOCUMENTS

D. 102,657	1/1937	Scurlock .....	D15/89
D. 255,242	6/1980	Berman et al. ....	D15/89
D. 261,891	11/1981	Thompson et al. ....	D15/89
2,005,939	6/1935	Hibbard .....	211/153

Primary Examiner—B. J. Bullock  
Assistant Examiner—Sandra Morris  
Attorney, Agent, or Firm—Charles C. Logan, II

[57] CLAIM

The ornamental design for a beverage can holder for a refrigerator, as shown and described.

DESCRIPTION

FIG. 1 is an exploded front perspective view of a beverage can holder for a refrigerator, showing my new design, the indicia shown in broken lines and the rear portion of the sling shown broken away are for illustrative purposes only;

FIG. 2 is a left side view thereof;

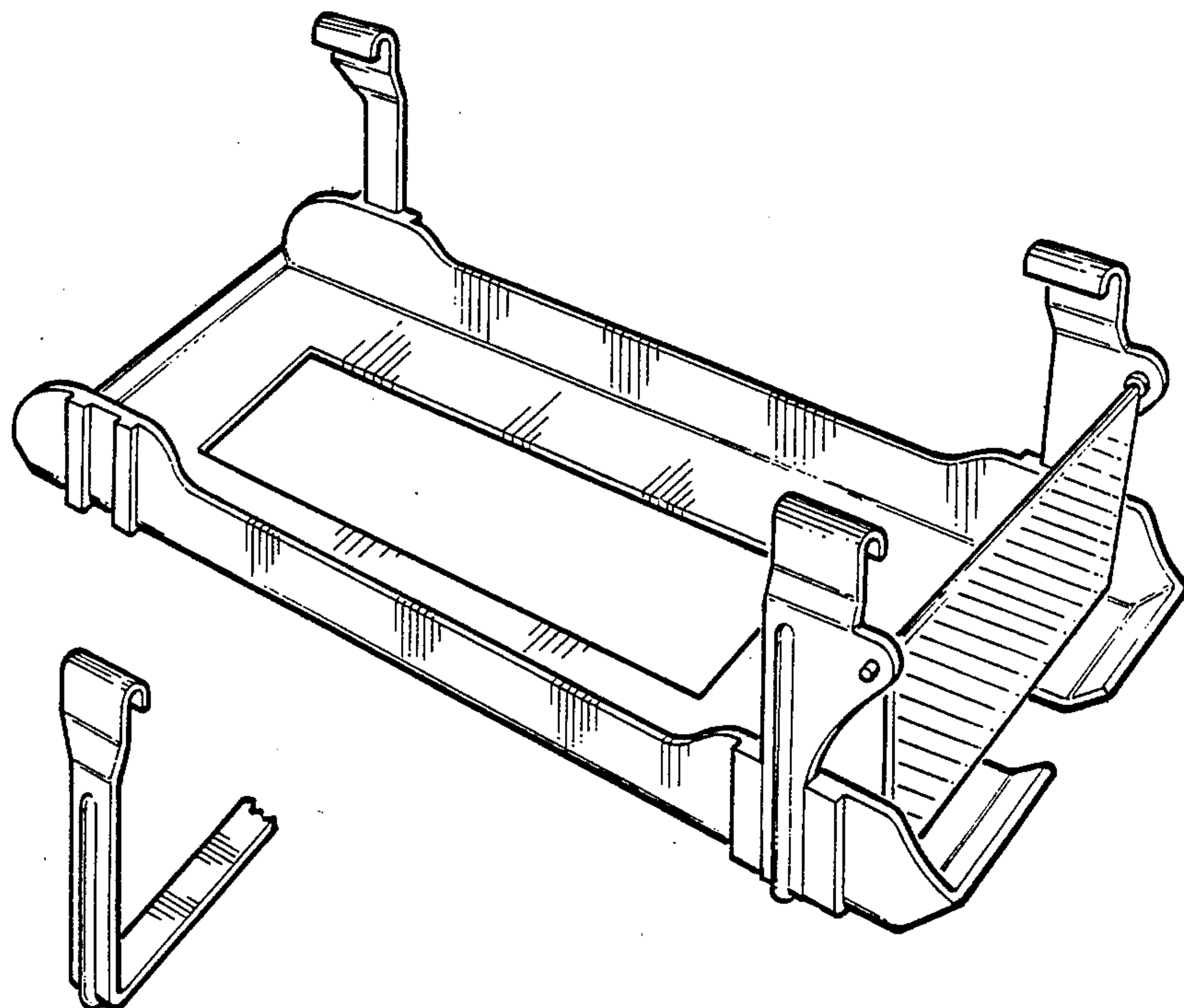
FIG. 3 is a right side view thereof;

FIG. 4 is a top plan view thereof;

FIG. 5 is a bottom plan view thereof;

FIG. 6 is a front elevational view thereof, the indicia shown in broken lines for illustrative purposes only;

FIG. 7 is a rear elevational view thereof.



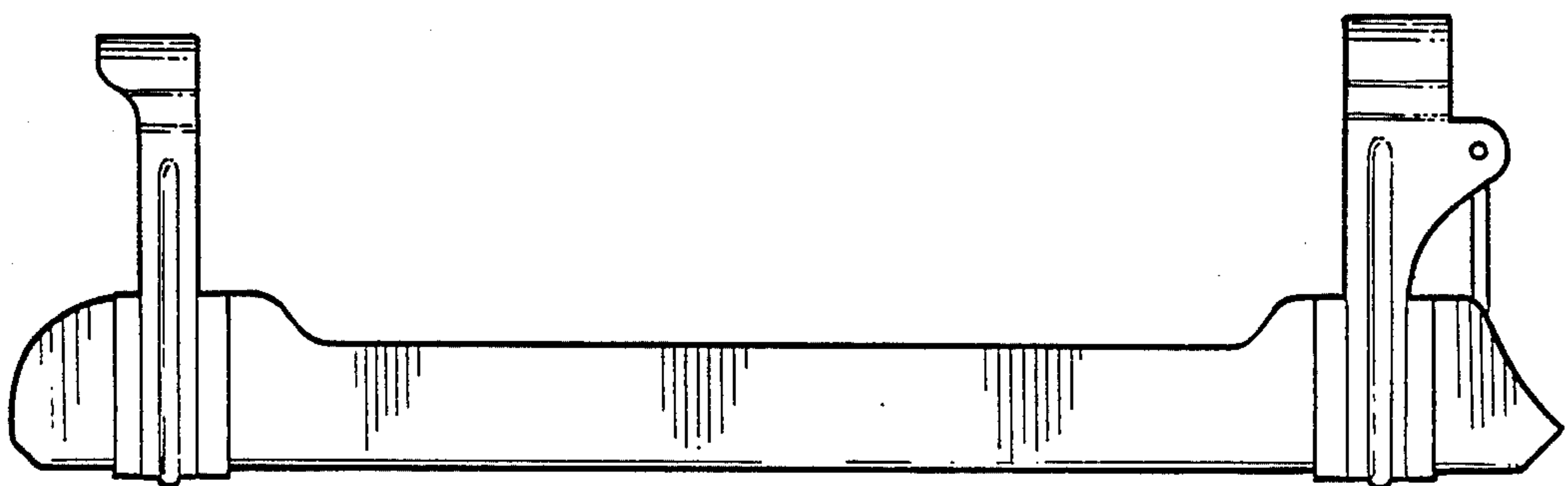
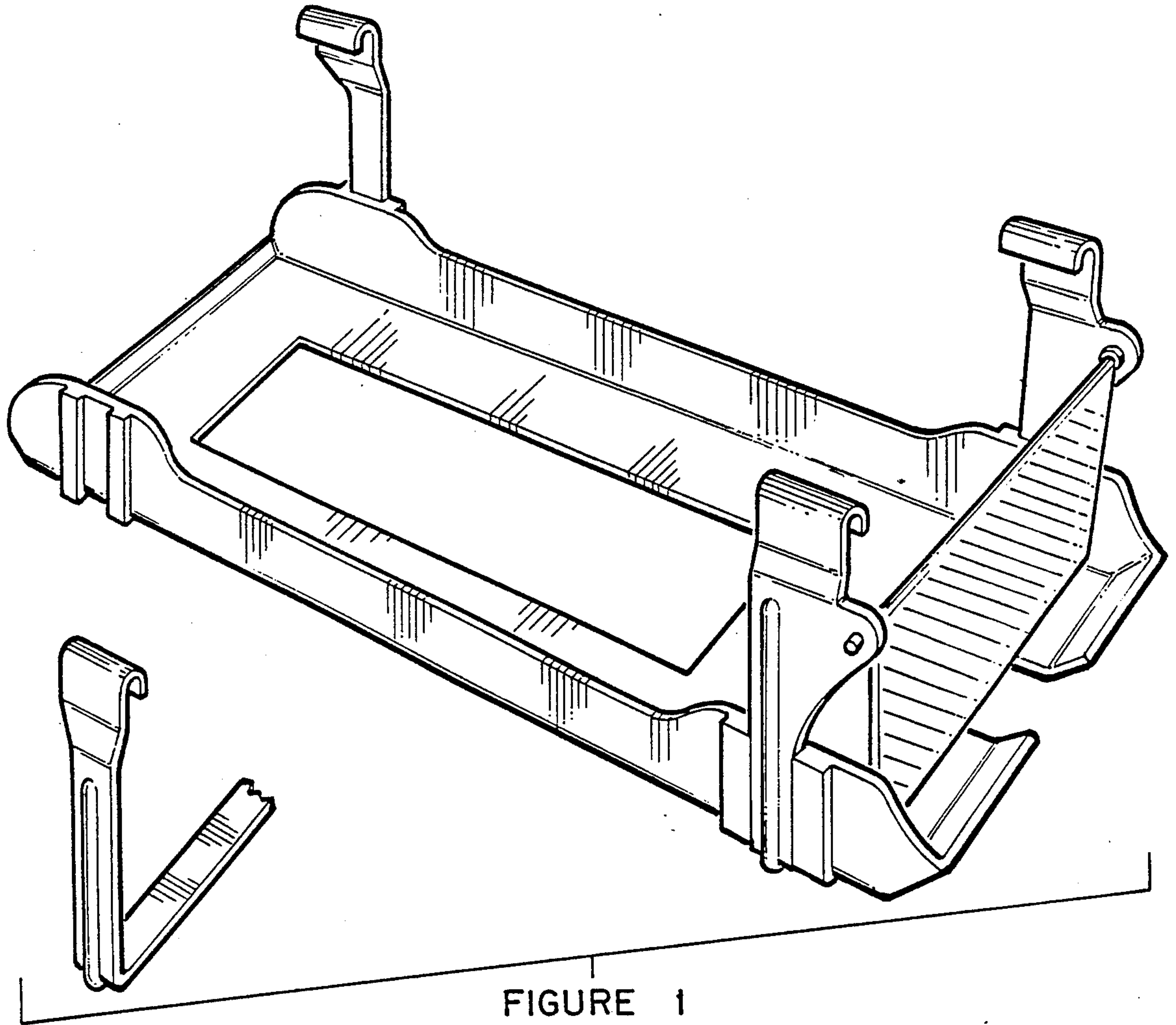


FIGURE 2

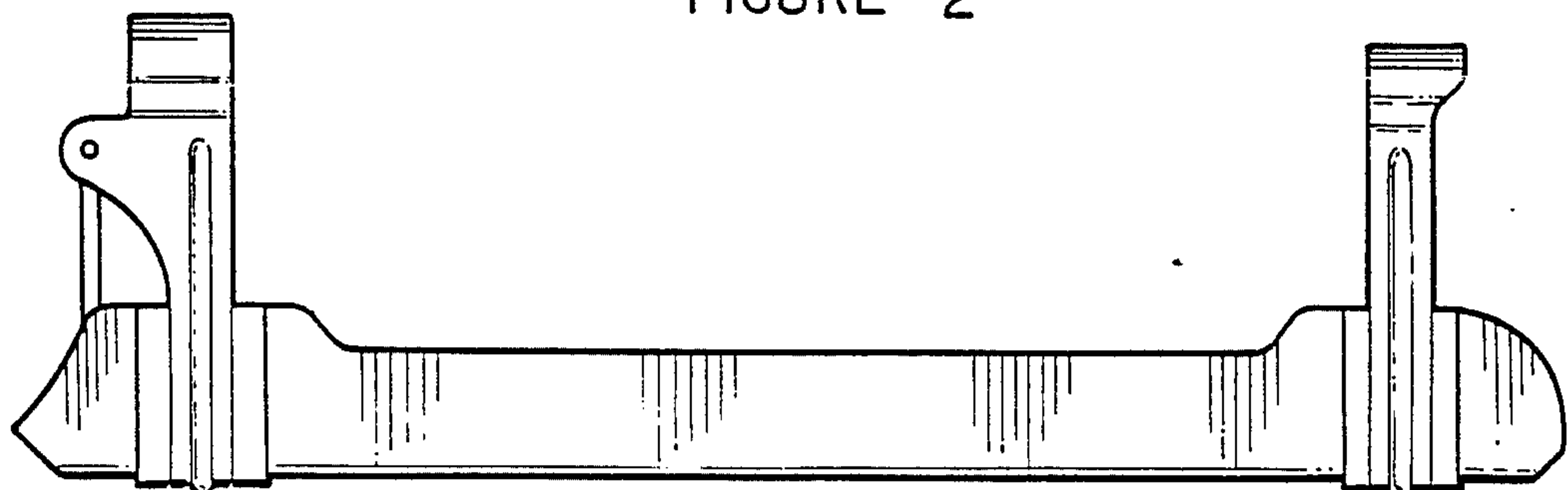


FIGURE 3

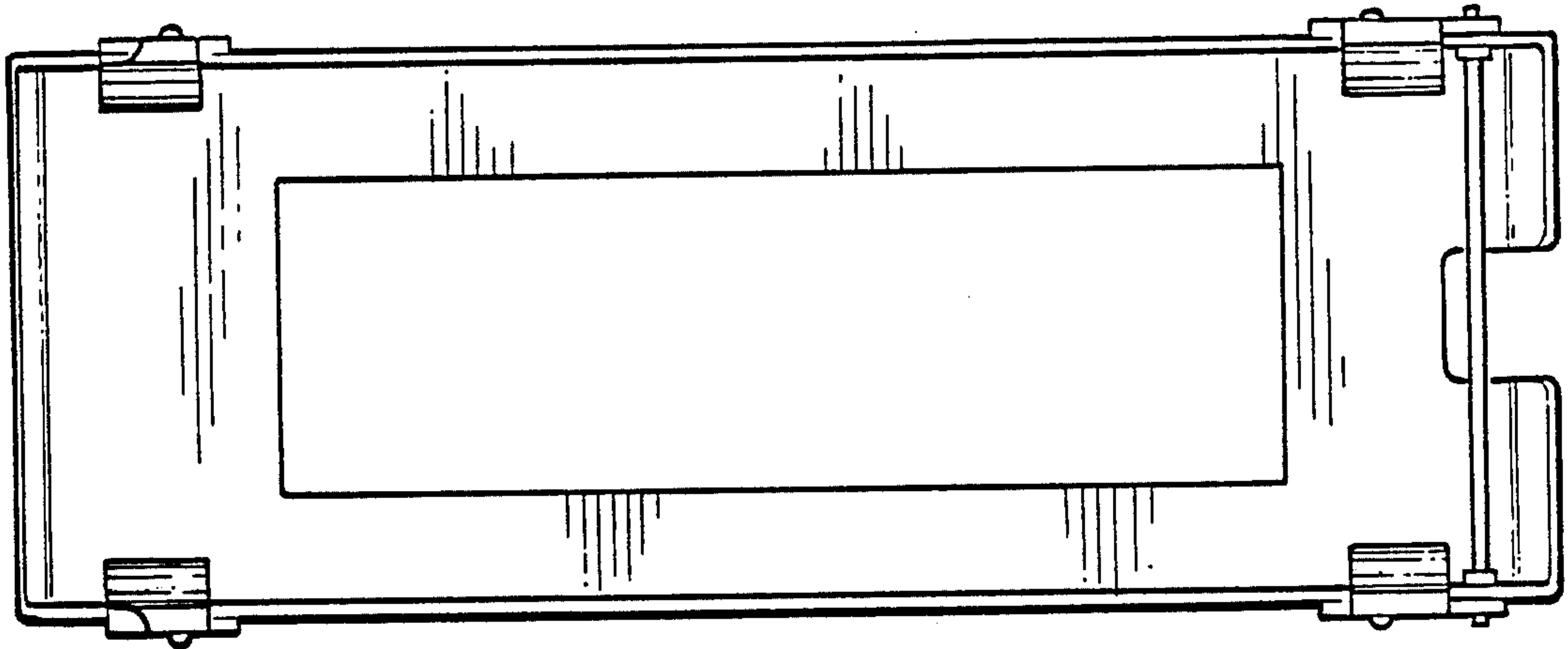


FIGURE 4

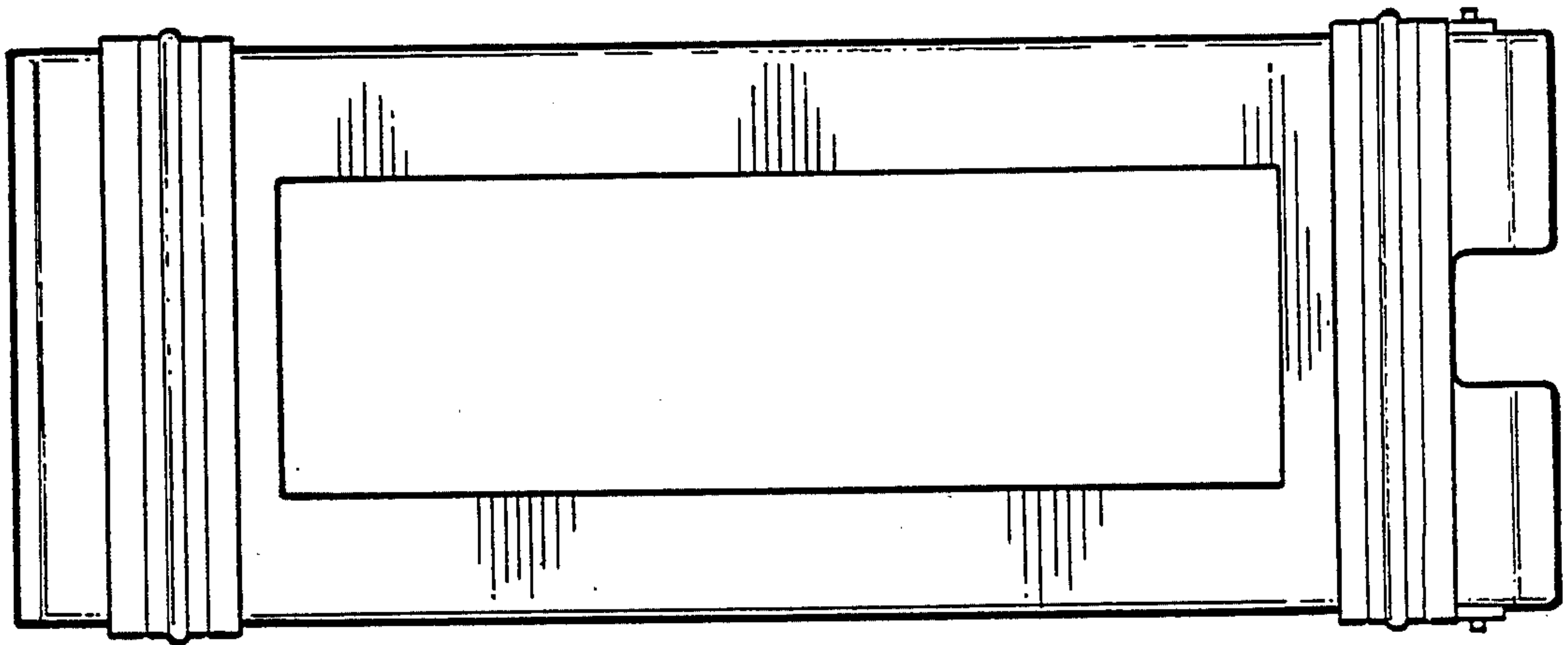


FIGURE 5

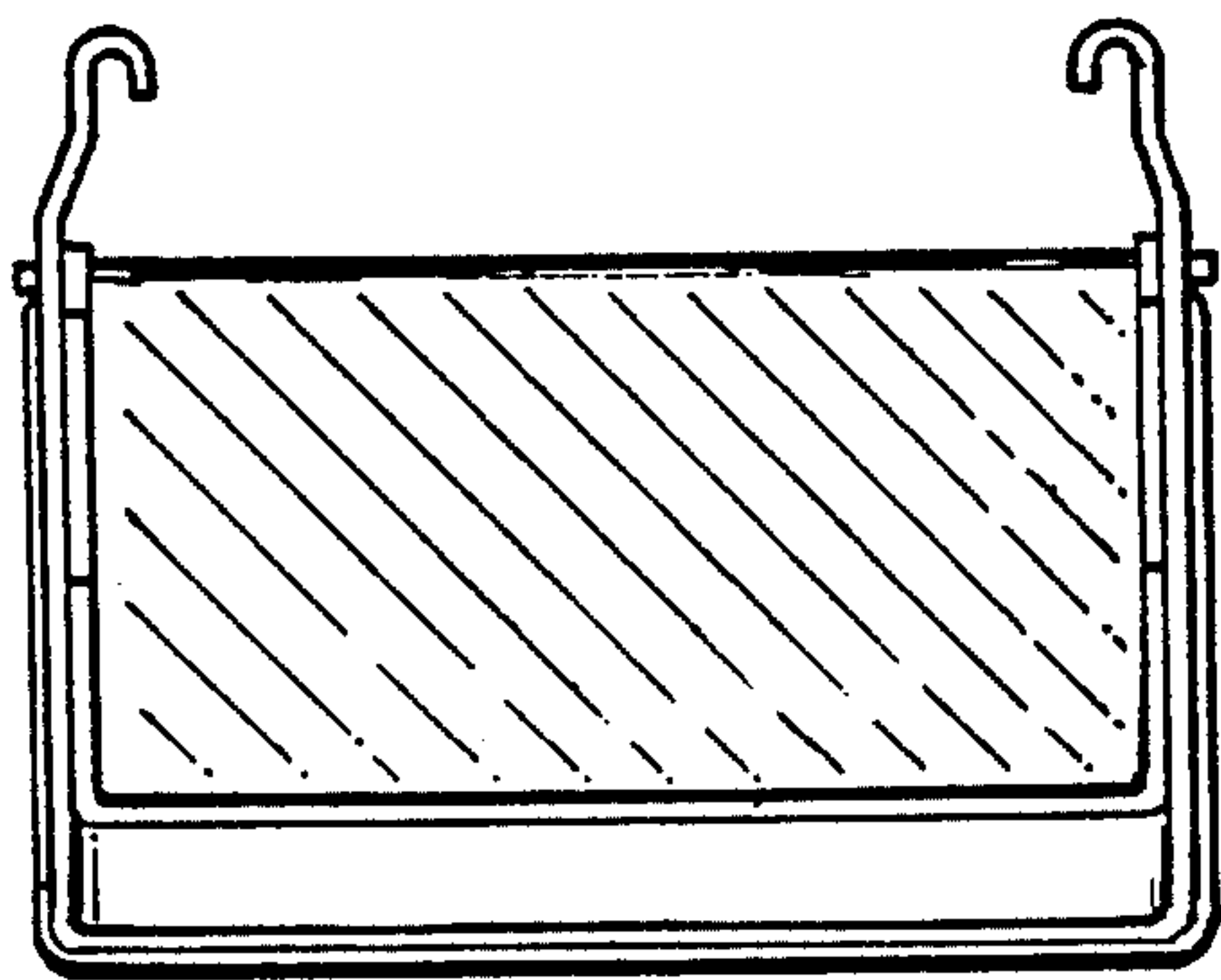


FIGURE 6

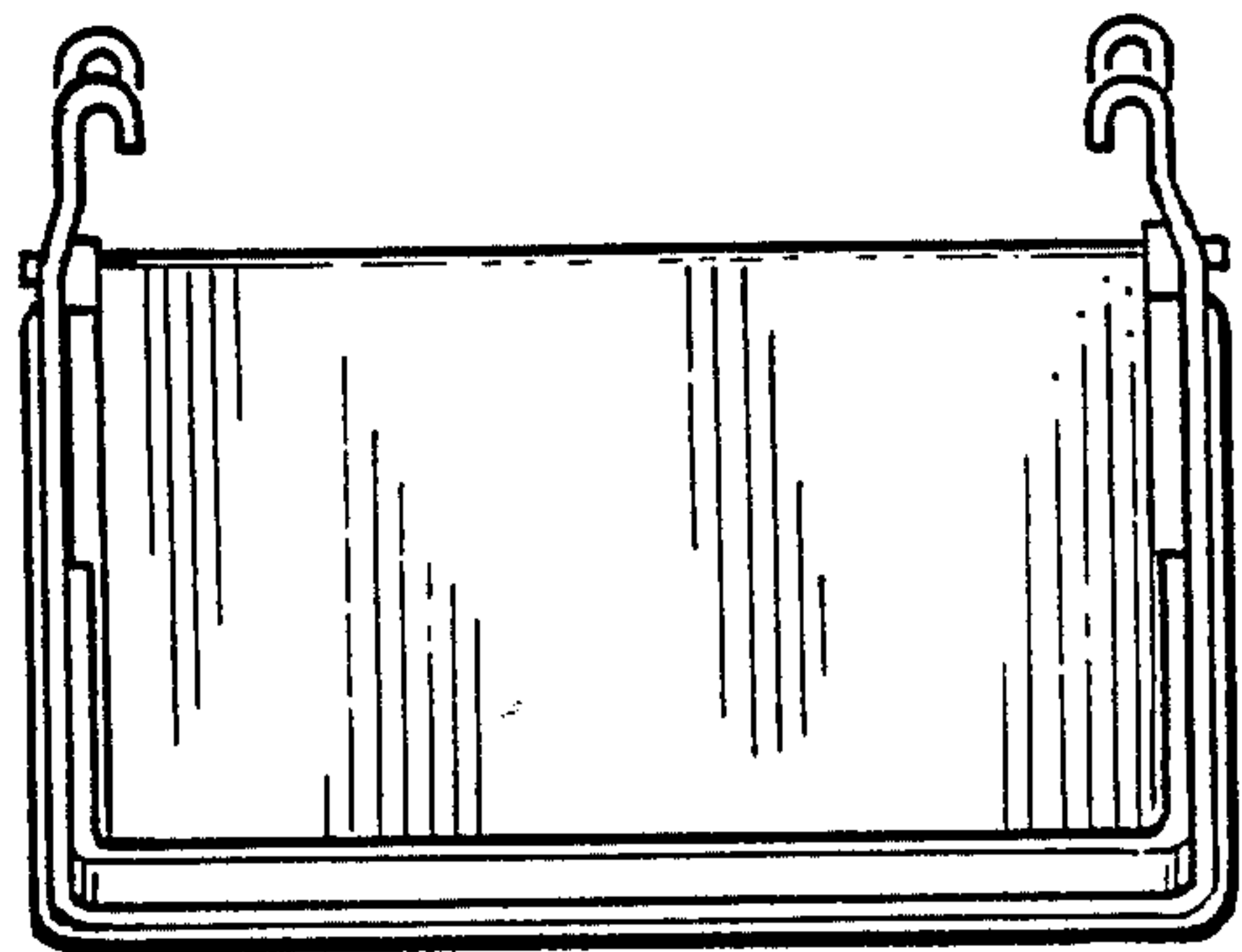


FIGURE 7