

[54] **ROAD PLANER**

[76] **Inventor:** Jerry F. Gilbert, 3545 E. Main St.,
Grand Prairie, Tex. 75050

[**] **Term:** 14 Years

[21] **Appl. No.:** 39,664

[22] **Filed:** Apr. 17, 1987

[52] **U.S. Cl.** D15/23; D15/24

[58] **Field of Search** D15/10, 22, 23, 24;
37/87, 108 R; 299/39; 404/90, 122

[56] **References Cited**
U.S. PATENT DOCUMENTS

D. 258,887 4/1981 Swisher et al. D15/24
4,186,968 2/1980 Barton 299/39

FOREIGN PATENT DOCUMENTS

2442348 3/1976 Fed. Rep. of Germany 404/90

Primary Examiner—B. J. Bullock
Assistant Examiner—Sandra Morris
Attorney, Agent, or Firm—Marcus L. Bates

[57] **CLAIM**

The ornamental design for a road planer, as shown and described.

DESCRIPTION

FIG. 1 is a left front perspective view of a road planer, showing my new design;
FIG. 2 is a left rear perspective view thereof;
FIG. 3 is a right front perspective view thereof;
FIG. 4 is a top plan view thereof;
FIG. 5 is a bottom plan view thereof.

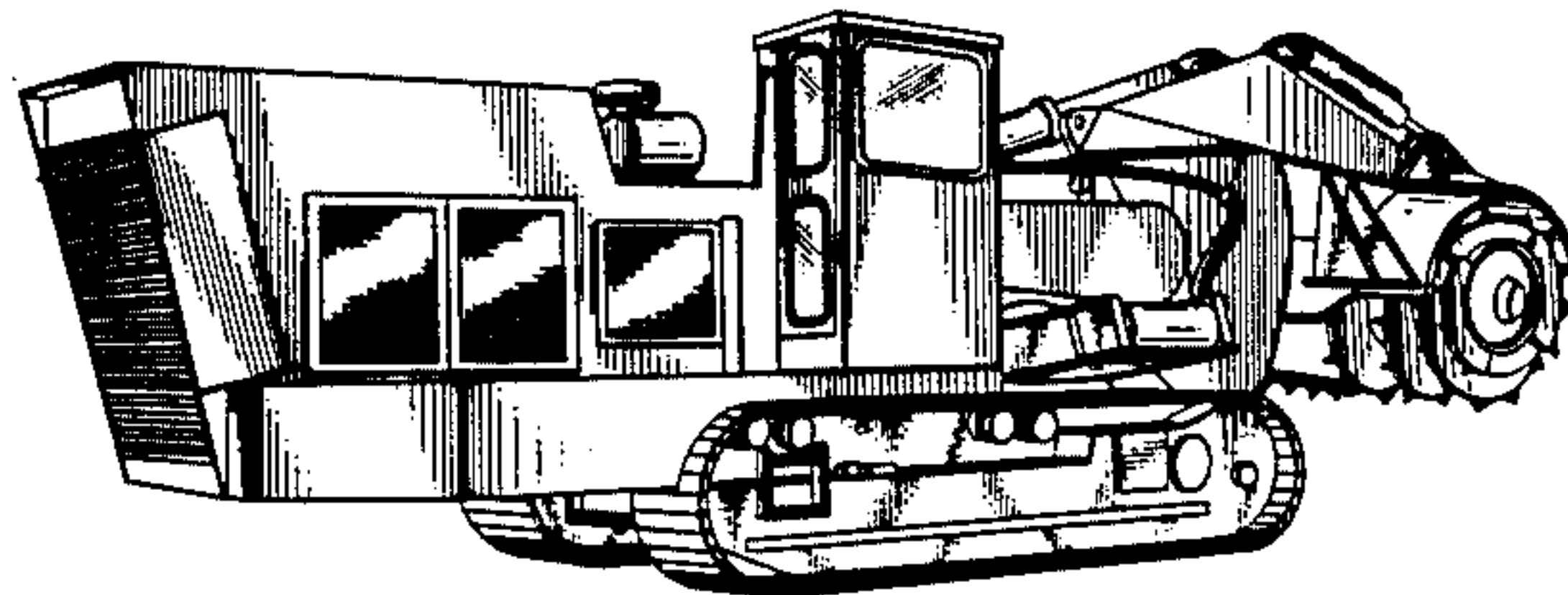
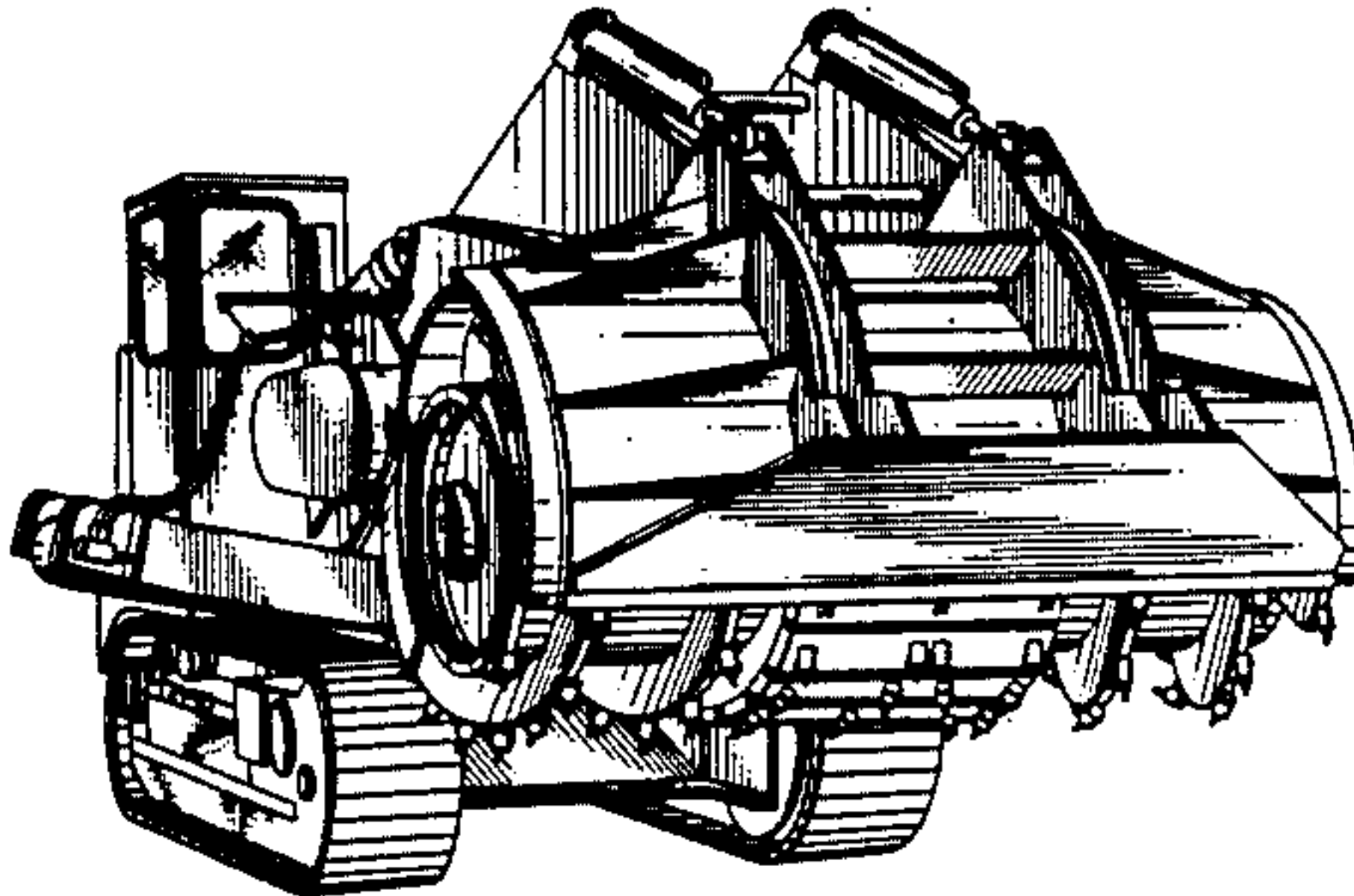


FIG. 1

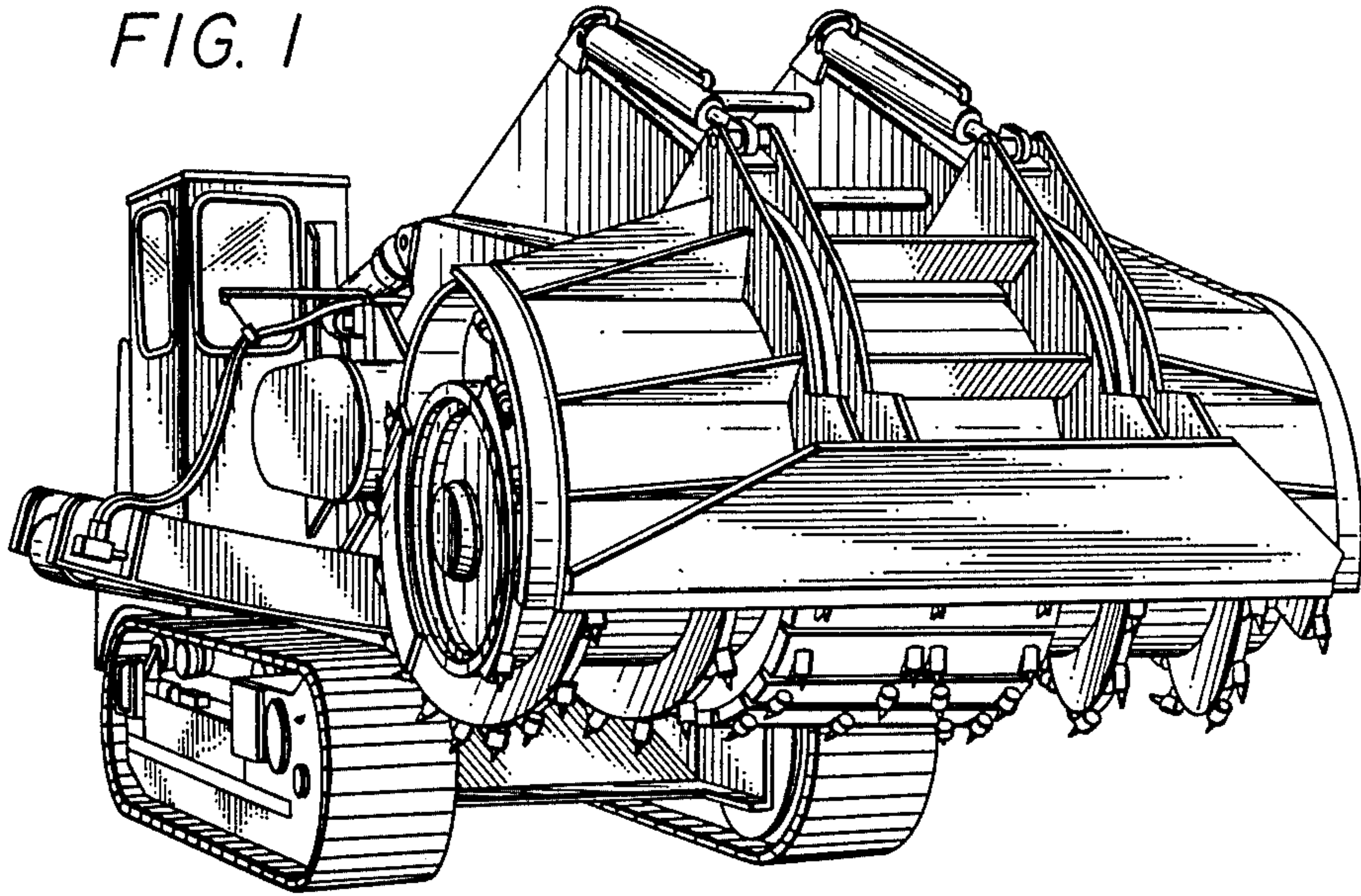


FIG. 2

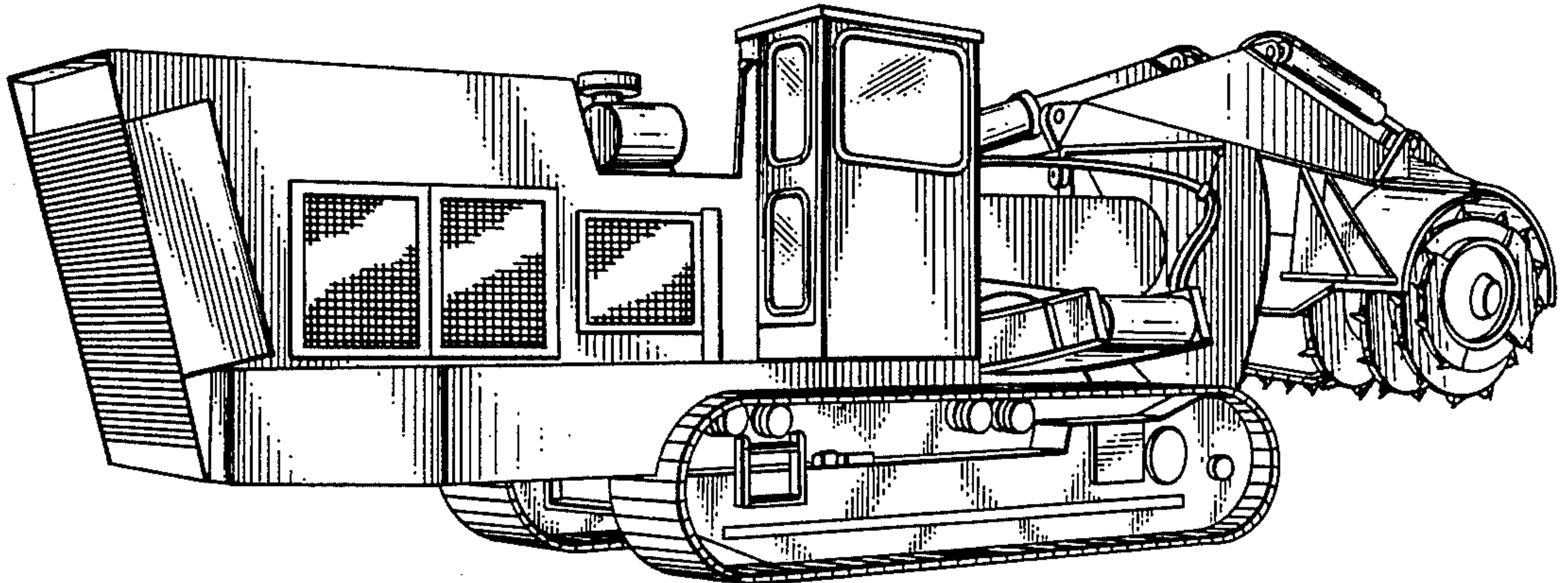
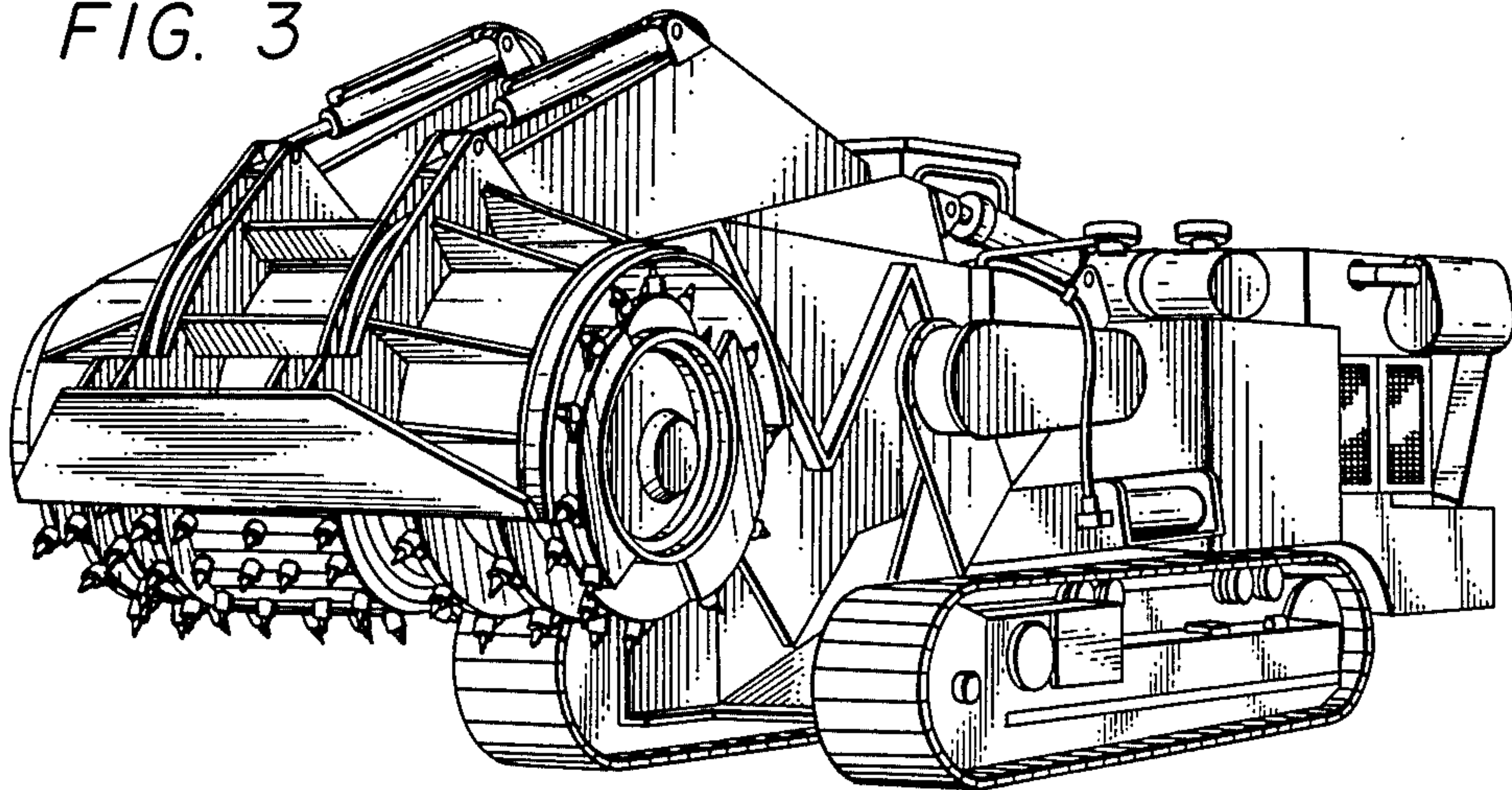


FIG. 3



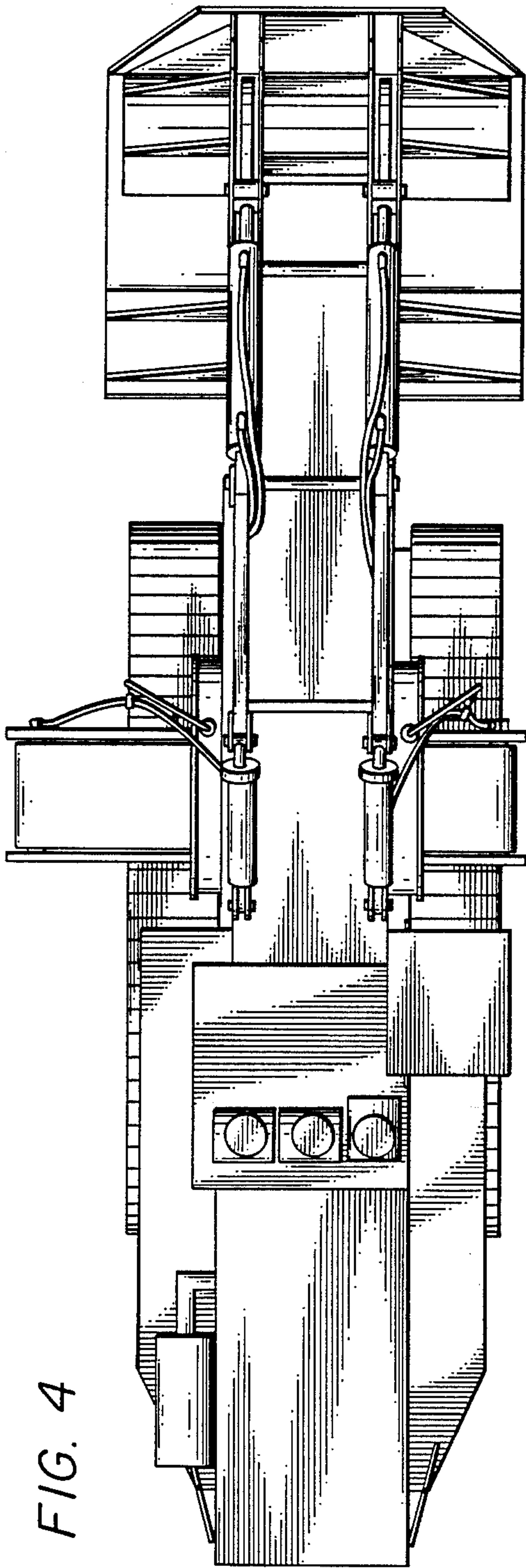


FIG. 4

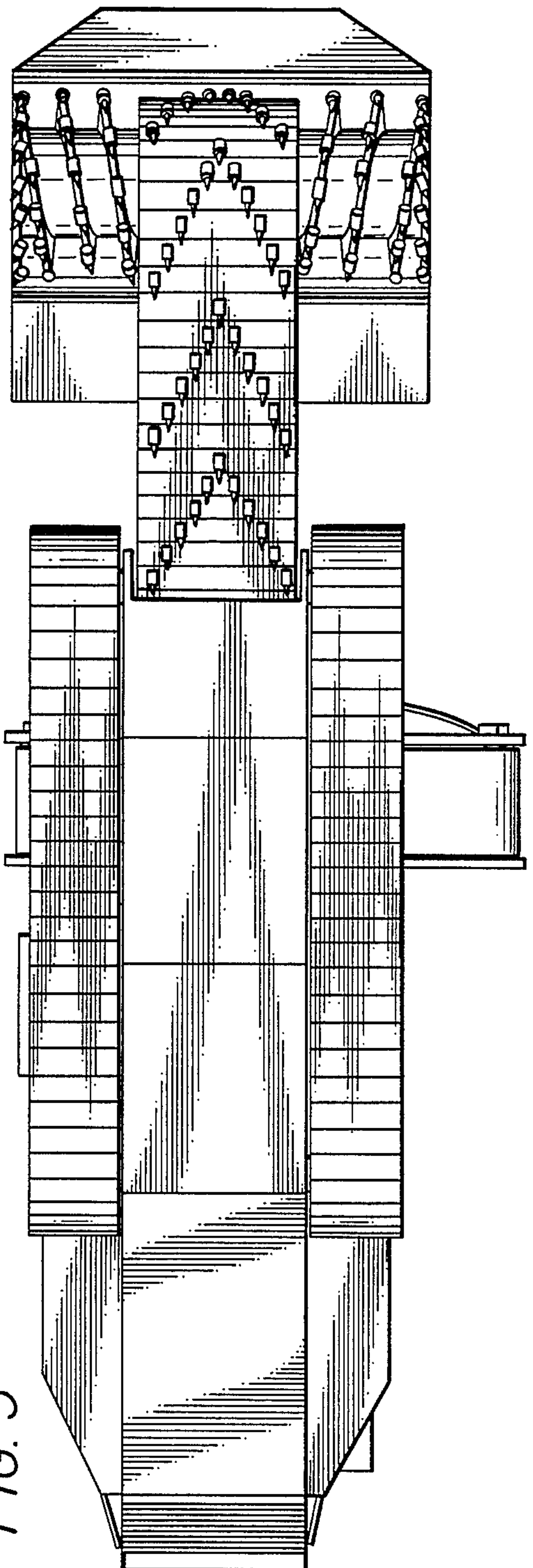


FIG. 5