

[54] ADJUSTABLE COPY HOLDER FOR COMPUTERS

4,801,120 1/1989 Gregoire 248/441.1

[75] Inventor: Bradley M. Nemeth, San Francisco, Calif.

[73] Assignee: Wendell R. Brooks, Inc., Ft. Worth, Tex.

[**] Term: 14 Years

[21] Appl. No.: 384,455

[22] Filed: Jul. 24, 1989

[52] U.S. Cl. D14/114; D19/88; D19/90

[58] Field of Search D14/100, 106, 113, 114, D14/115; D8/373, 380, 381; 248/917-925, 447.1, 300, 121, 442.2, 475.1, 447, 441.1, 122, 123.1, 127, 126, 176, 152, 201, 277; 211/86, 119.12; D19/86, 88; D6/512, 567, 419, 449; 24/455, 488, 67.1, 67.5; 40/341, 358, 354

[56] References Cited

U.S. PATENT DOCUMENTS

D. 301,044	5/1989	Judd	D19/86 X
4,568,052	2/1986	Solomon et al.	248/447 X
4,569,498	2/1986	Ermanski	248/447.1 X
4,747,572	5/1988	Weber	248/442.2

OTHER PUBLICATIONS

Global Computer Supplies, 1986, p. 58, Electric Copy Holder Computer Box.

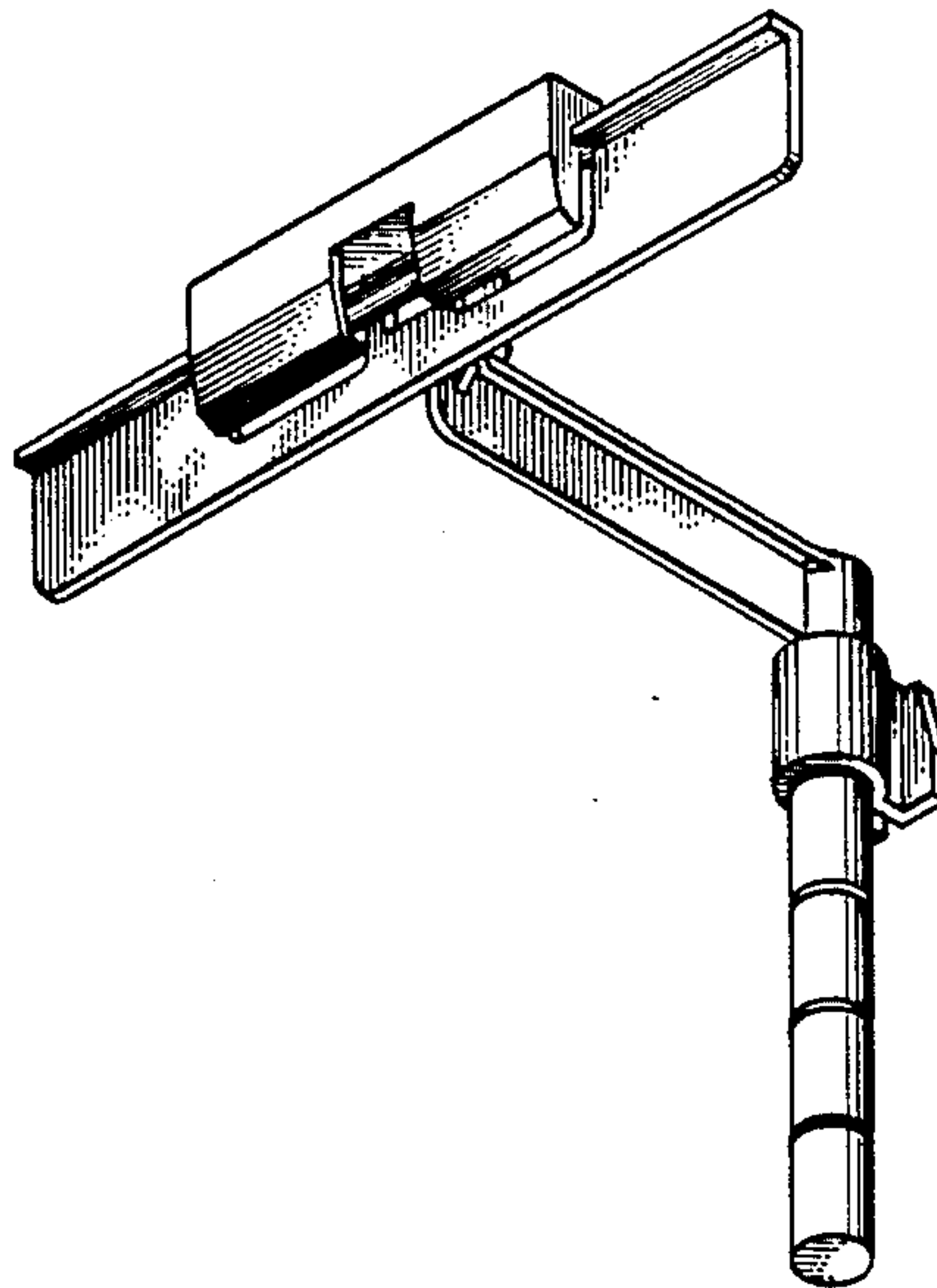
Primary Examiner—Susan J. Lucas
Assistant Examiner—Freda S. Nunn
Attorney, Agent, or Firm—James E. Bradley

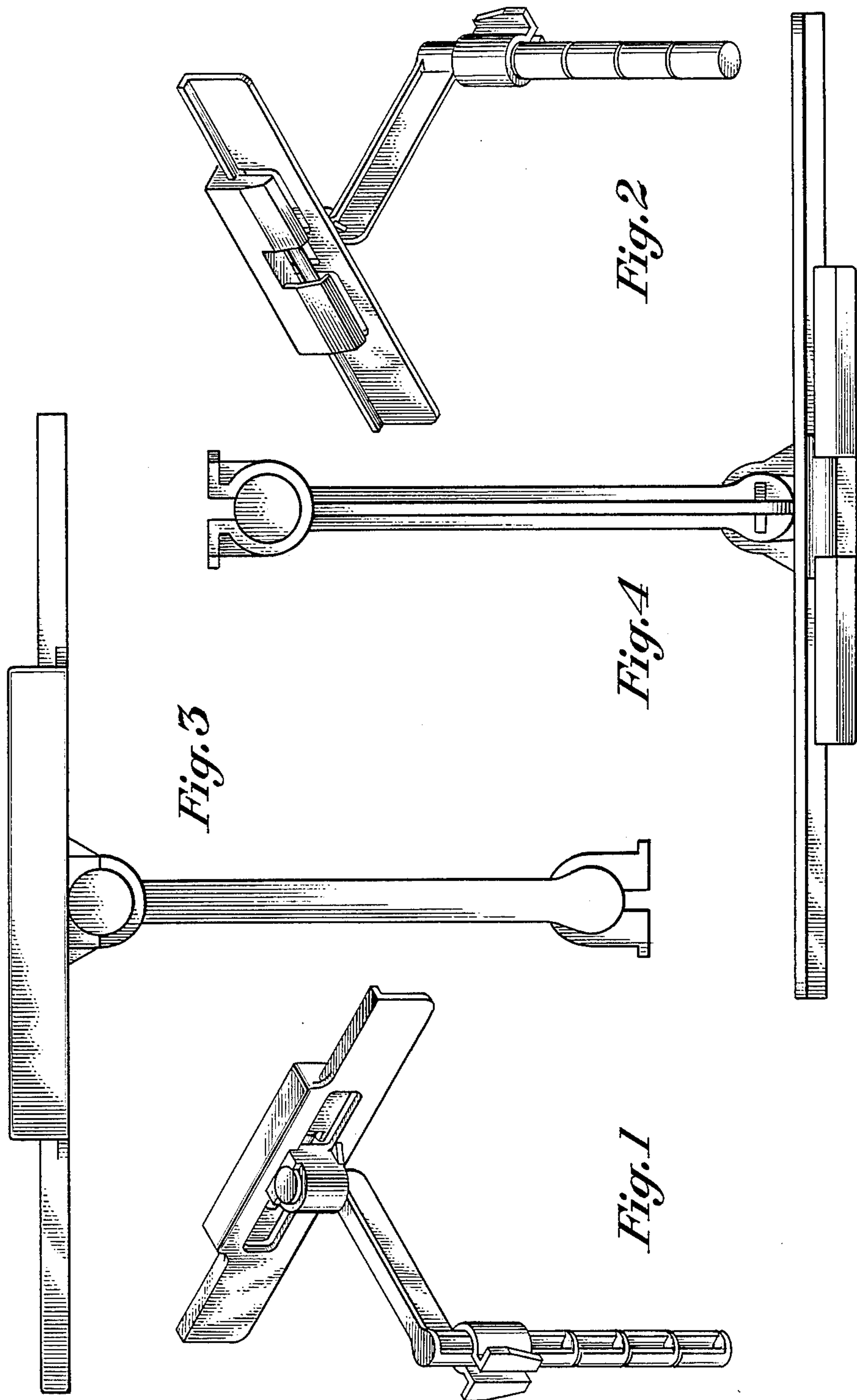
[57] CLAIM

The ornamental design for a adjustable copy holder for computers, as shown and described.

DESCRIPTION

FIG. 1 is a rear perspective view of an adjustable copy holder for computers showing my new design;
FIG. 2 is a front perspective view thereof;
FIG. 3 is a top plan view thereof on an enlarged scale;
FIG. 4 is a bottom plan view thereof on an enlarged scale;
FIG. 5 is a back elevational view thereof on an enlarged scale;
FIG. 6 is an inverted front elevational view thereof on an enlarged scale;
FIG. 7 is a right side elevational view thereof on an enlarged scale as seen in FIG. 2;
FIG. 8 is a left side elevational view thereof on an enlarged scale as seen in FIG. 2.





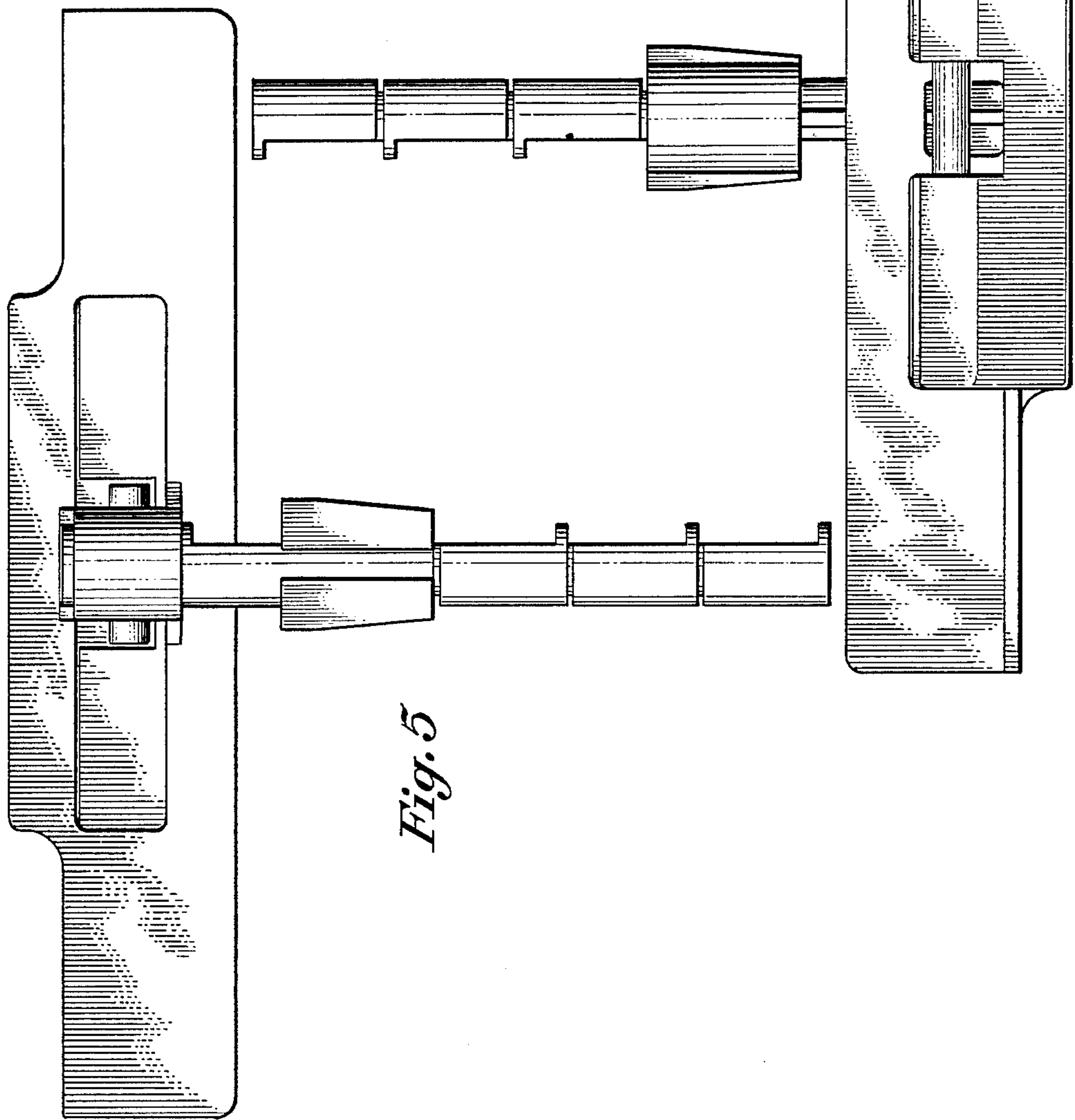


Fig. 5

Fig. 6

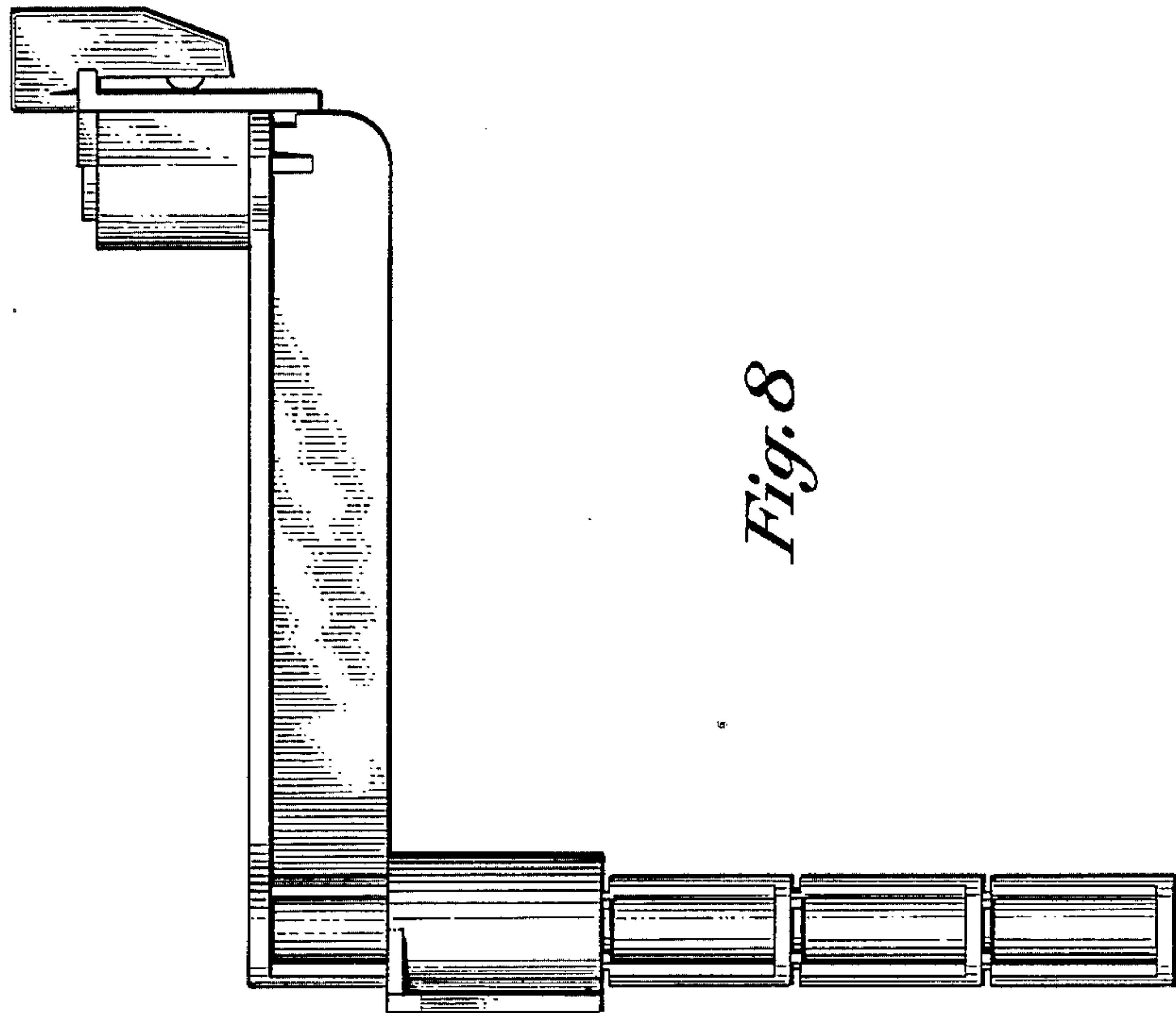


Fig. 8

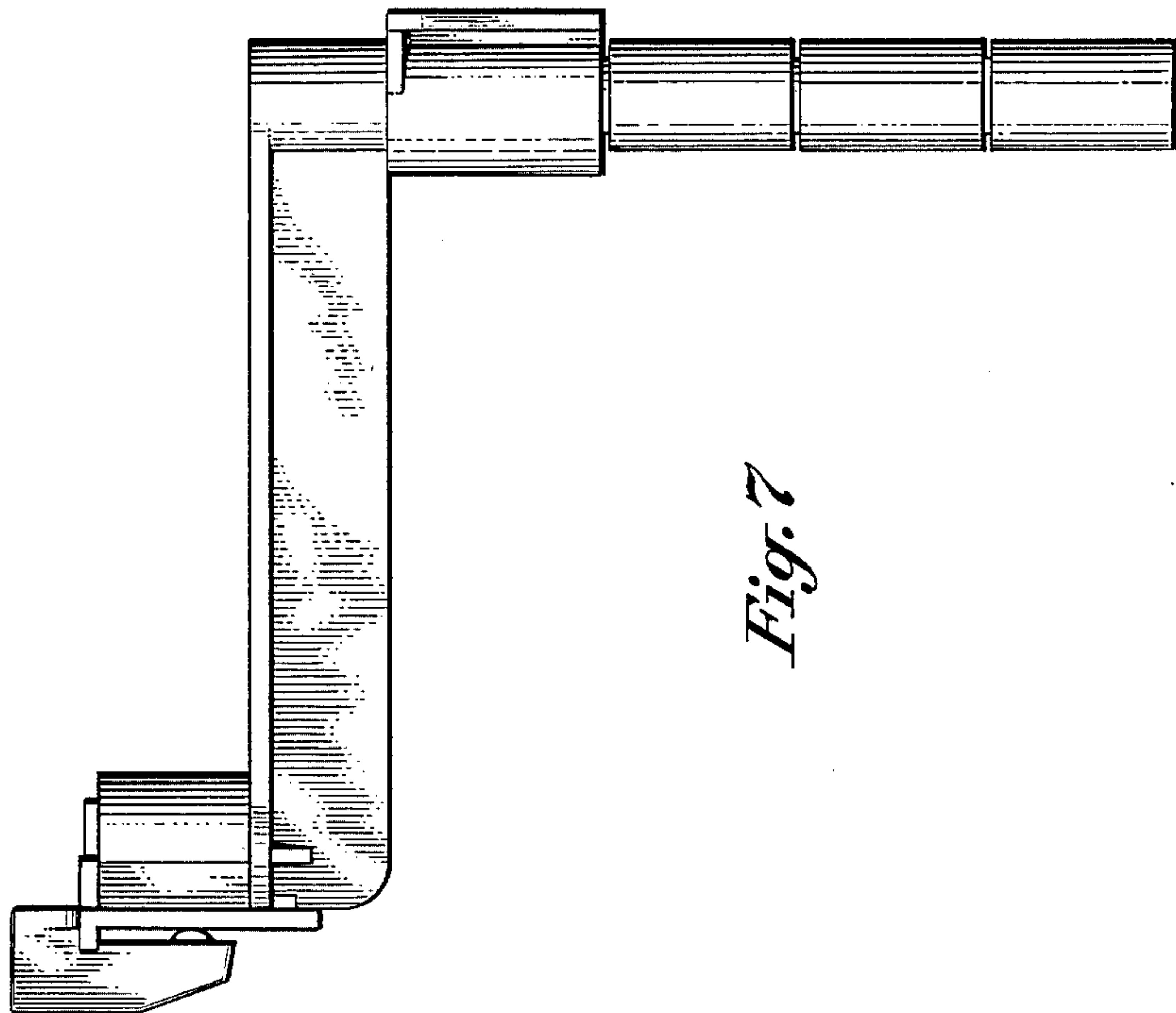


Fig. 7