

[54] MAGNETIC DISC DRIVE WITH COUPLING MEMBER FOR A WORD PROCESSOR

[75] Inventors: Kazumi Osaka; Shinsaku Hino; Tatsumi Wada, all of Osaka, Japan

[73] Assignee: Sharp Corporation, Osaka, Japan

[**] Term: 14 Years

[21] Appl. No.: 269,981

[22] Filed: Nov. 10, 1988

[30] Foreign Application Priority Data

May 13, 1988 [JP] Japan 63-19040

[52] U.S. Cl. D14/109; D14/114

[58] Field of Search D14/100-117; D13/40, 41; 360/97-99, 133; 361/380, 390-394; 364/900; 369/291

[56] References Cited

U.S. PATENT DOCUMENTS

- D. 252,273 7/1979 Arjani et al. D14/109
- D. 271,102 10/1983 Manock et al. D14/109
- D. 280,624 9/1985 Swan et al. D14/109
- 4,536,813 8/1985 Saito 360/99.01 X
- 4,663,677 5/1987 Griffith et al. 360/99.06 X

4,823,214 4/1989 Davis 360/291 X

Primary Examiner—Susan J. Lucas
Assistant Examiner—Freda S. Nunn
Attorney, Agent, or Firm—Flehr, Hohbach, Test, Albritton & Herbert

[57] CLAIM

The ornamental design for a magnetic disc drive with coupling member for a word processor, shown and described.

DESCRIPTION

FIG. 1 is a top, front, right side perspective view of a magnetic disc drive with coupling member for a word processor showing our new design;

FIG. 2 is a top plan view thereof on an enlarged scale;

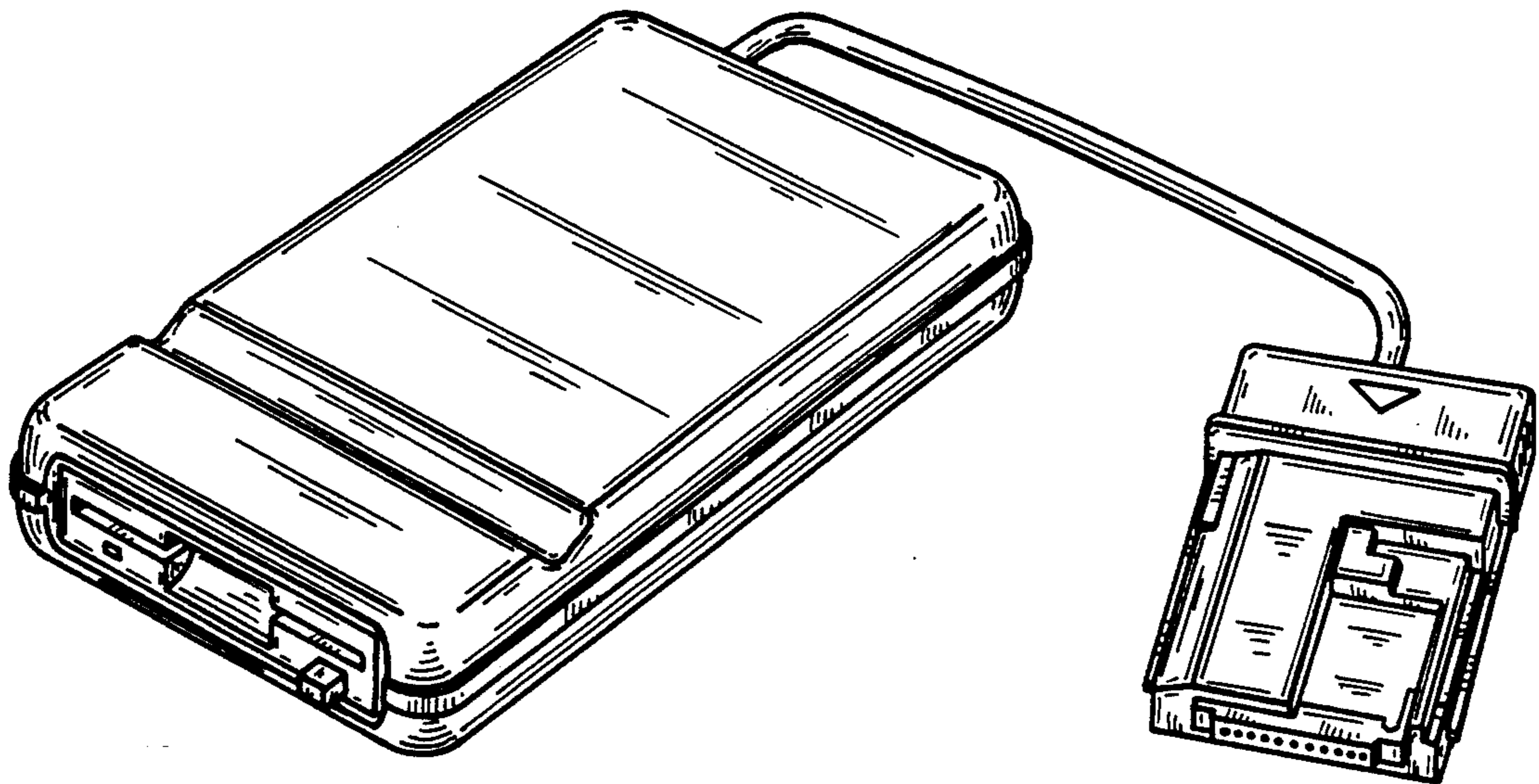
FIG. 3 is a bottom plan view thereof on an enlarged scale;

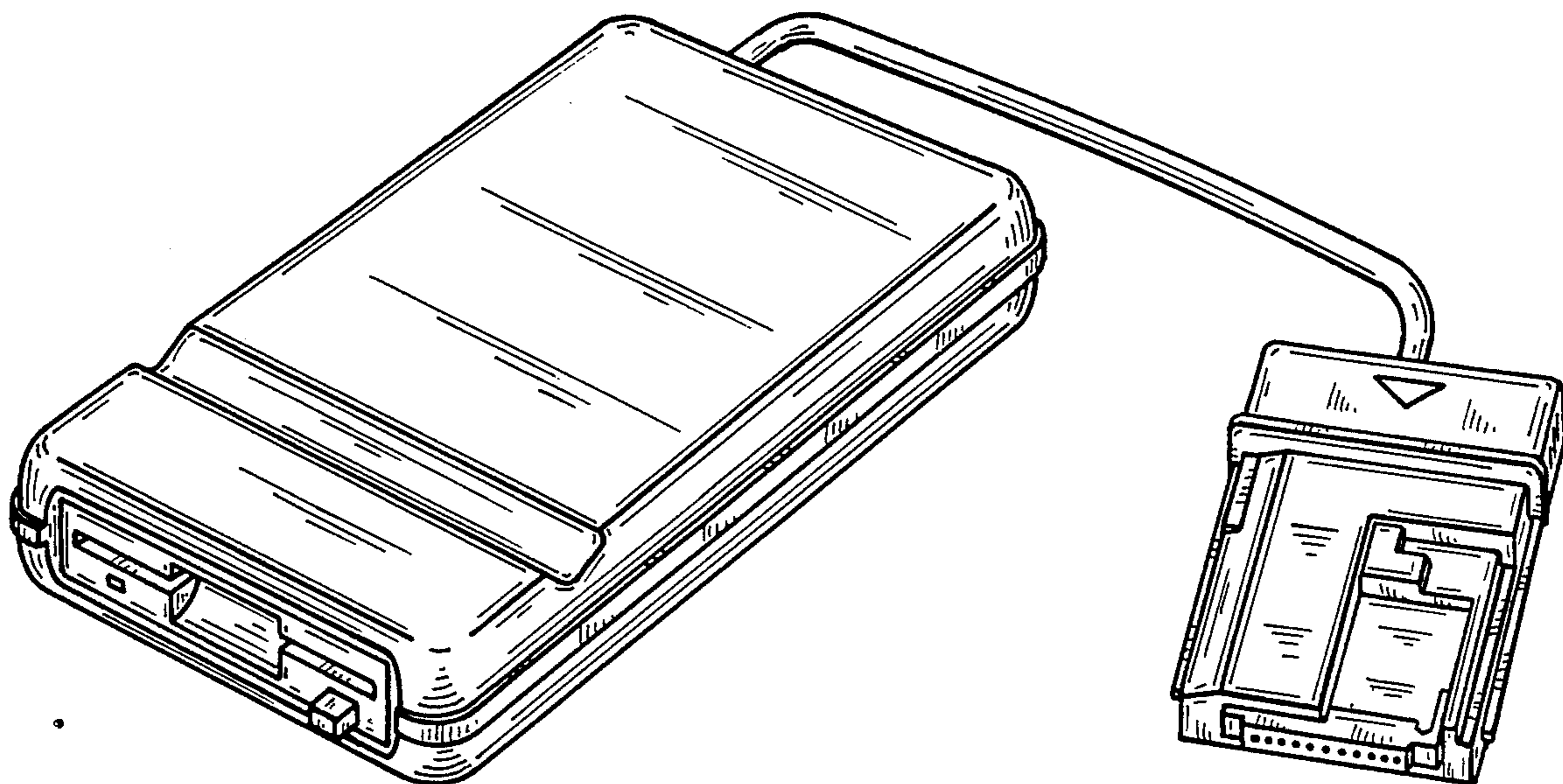
FIG. 4 is a front elevational view thereof on an enlarged scale;

FIG. 5 is a rear elevational view thereof on an enlarged scale;

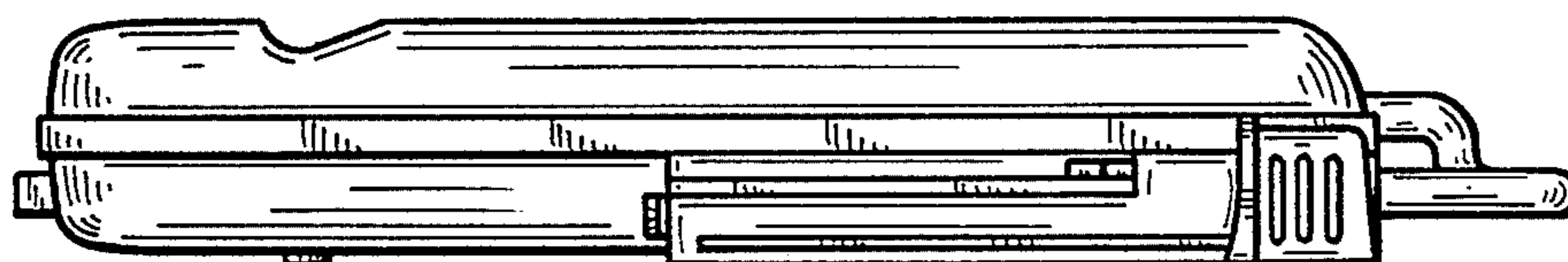
FIG. 6 is a right side elevational view thereof on an enlarged scale; and

FIG. 7 is a left side elevational view thereof on an enlarged scale.

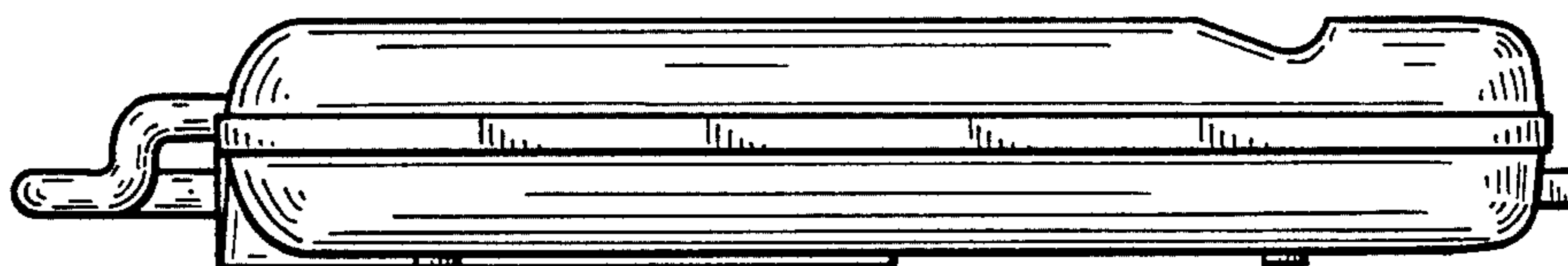




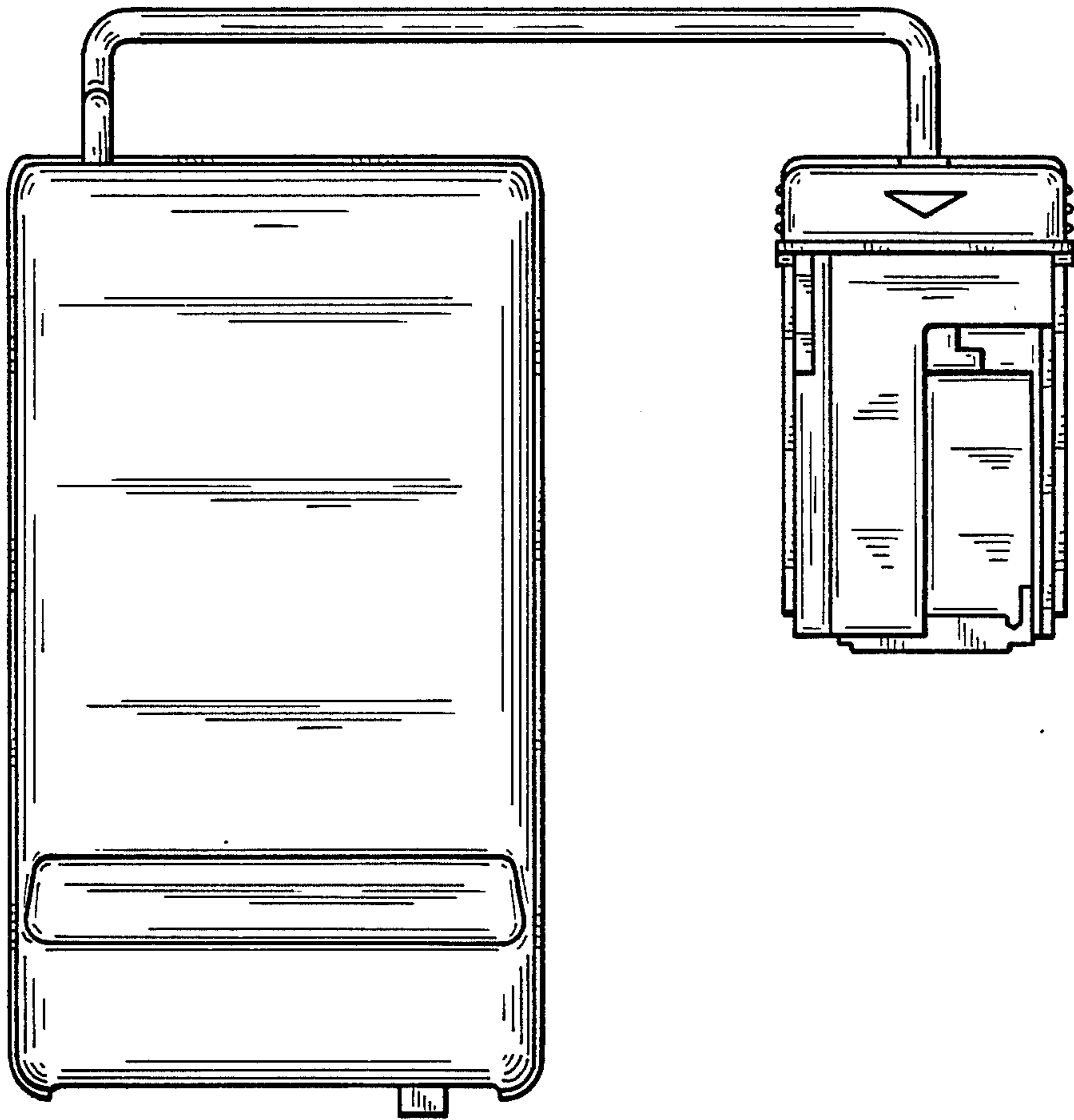
FIG_1



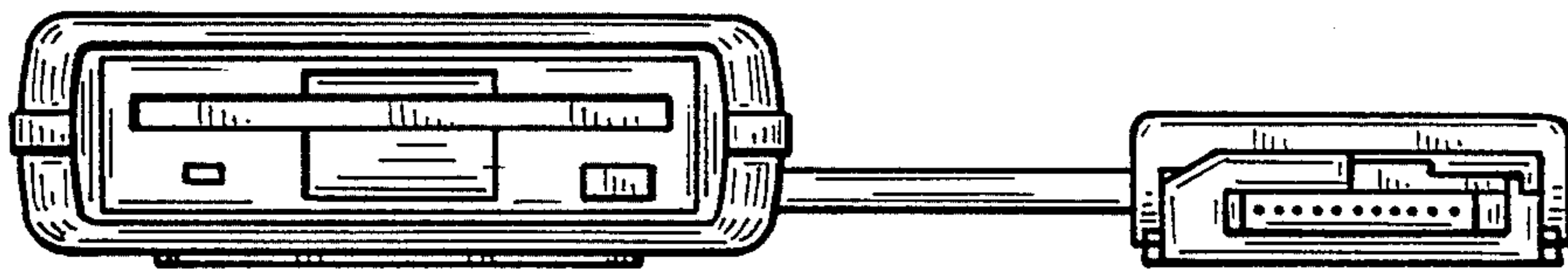
FIG_6



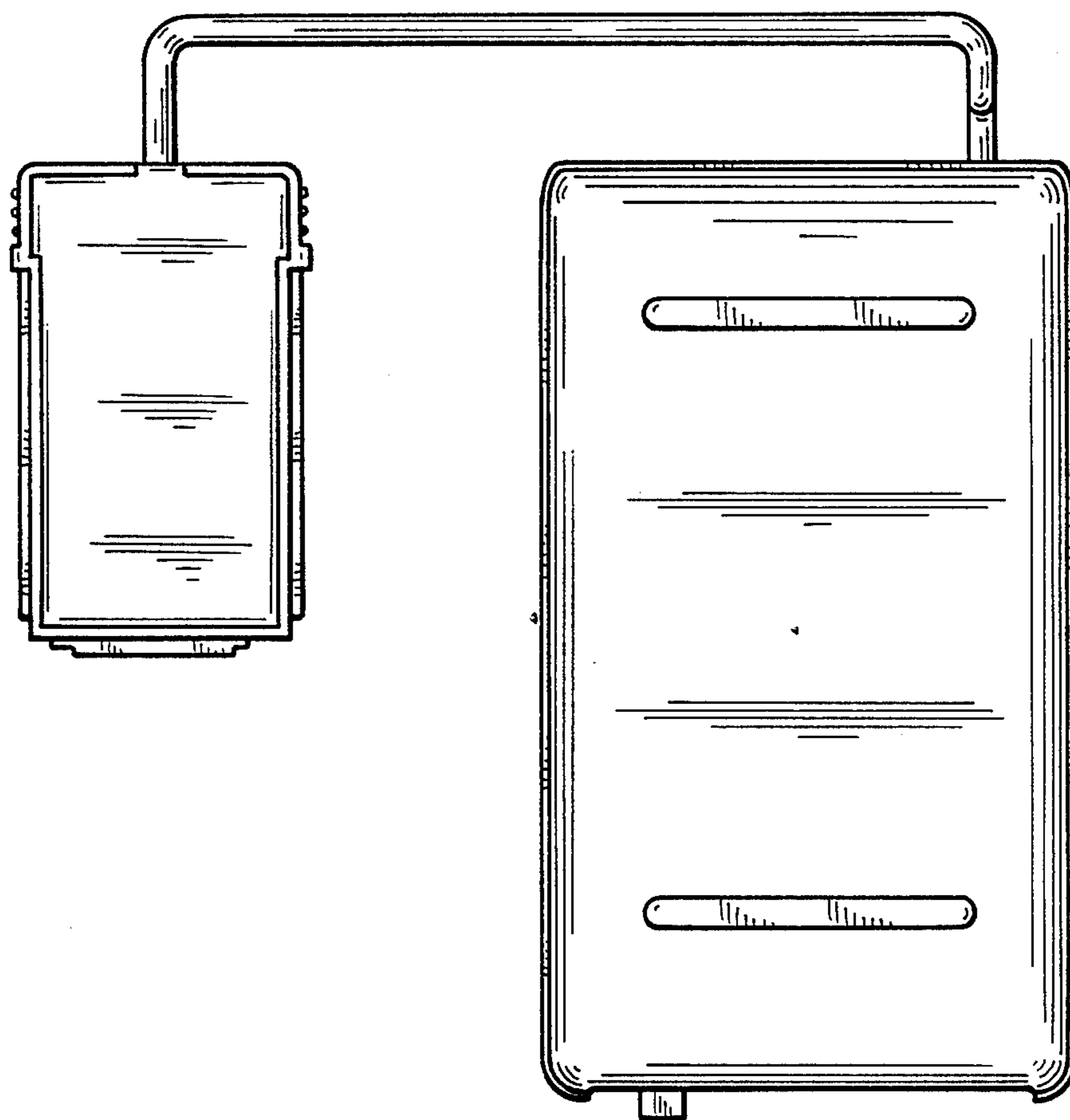
FIG_7



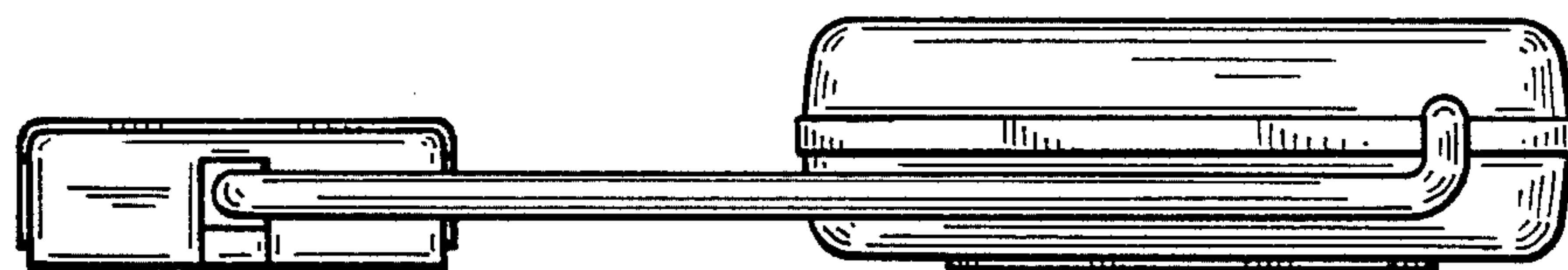
FIG_2



FIG_4



FIG_3



FIG_5