

[54] **PORTABLE COMPUTER**

[75] **Inventors:** Kanji Mizusugi; Hajime Shiozawa; Kouki Fukuda; Yasuhiko Mano, all of Osaka, Japan

[73] **Assignee:** Sharp Corporation, Osaka, Japan

[**] **Term:** 14 Years

[21] **Appl. No.:** 317,796

[22] **Filed:** Feb. 28, 1989

[30] **Foreign Application Priority Data**

Oct. 7, 1988 [JP] Japan 63-39579

[52] **U.S. Cl.** D14/106

[58] **Field of Search** D14/100, 106, 107, 113, D14/115; D18/1, 7, 11, 12; 235/145 A, 145 R; 340/700, 706, 711, 712; 341/22, 23; 358/249, 254; 364/706-710

[56] **References Cited**

U.S. PATENT DOCUMENTS

- D. 291,442 8/1987 Kurihara D14/106
- D. 299,031 12/1988 Sugano D14/106
- D. 303,523 9/1989 Shiozawa et al. D14/106
- D. 306,285 2/1990 Yu D14/106

FOREIGN PATENT DOCUMENTS

685063 8/1986 Japan D14/106

Primary Examiner—Susan J. Lucas
Assistant Examiner—Freda S. Nunn
Attorney, Agent, or Firm—Flehr, Hohbach, Test Albritton & Herbert

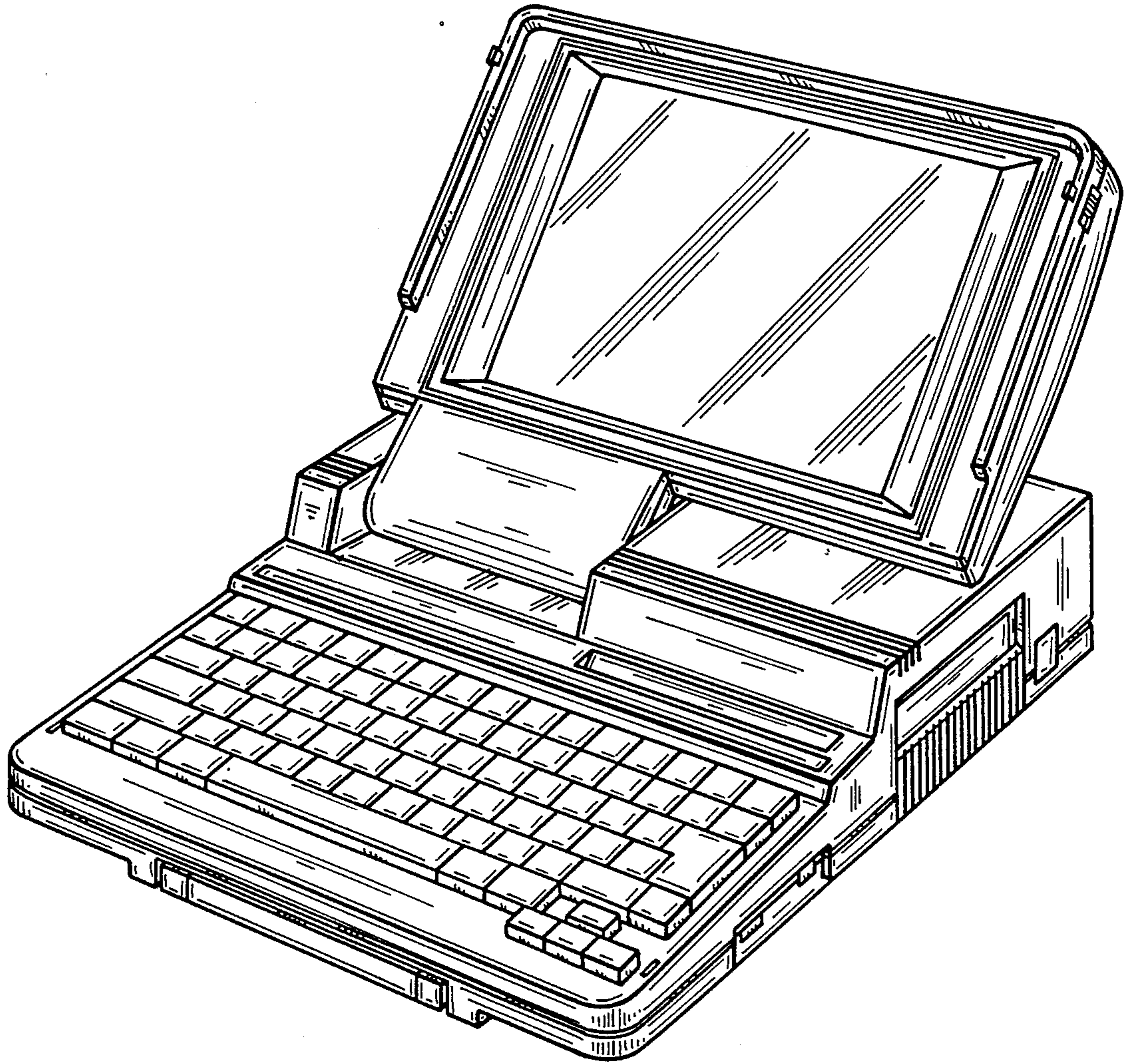
[57] **CLAIM**

The ornamental design for a portable computer, as shown and described.

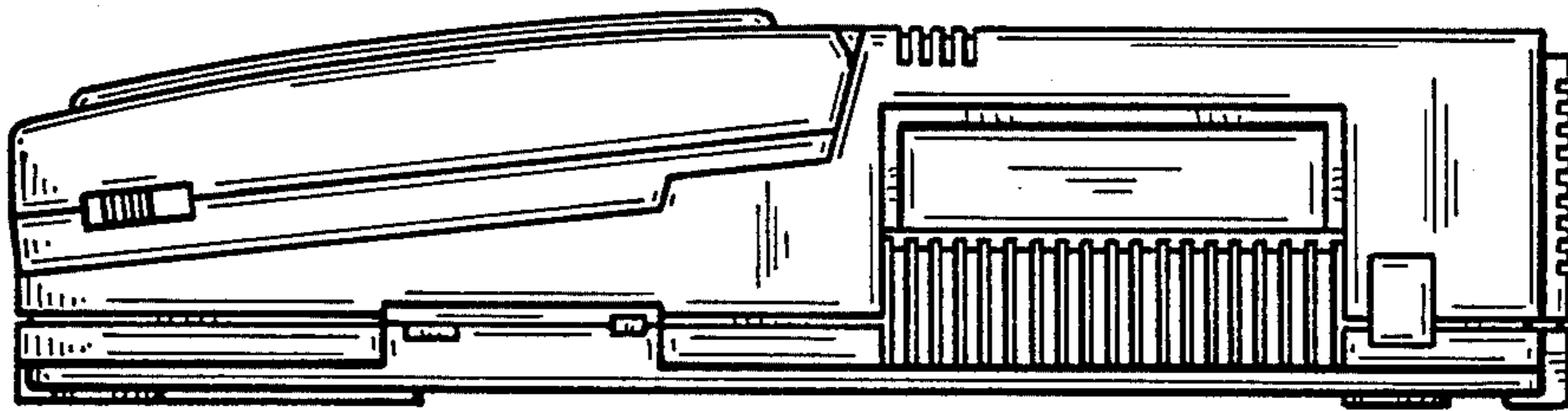
DESCRIPTION

FIG. 1 is a perspective view of a portable computer showing our new design;
 FIG. 2 is a front elevational view thereof;
 FIG. 3 is a rear elevational view thereof;
 FIG. 4 is a top plan view thereof;
 FIG. 5 is a bottom plan view thereof;
 FIG. 6 is a right side elevational view thereof on an enlarged scale;
 FIG. 7 is a left side elevational view thereof on an enlarged scale;
 FIG. 8 is a top plan view thereof with the display closed;
 FIG. 9 is a front elevational view thereof with the display closed; and
 FIG. 10 is a right side elevational view thereof on an enlarged scale with the display closed.

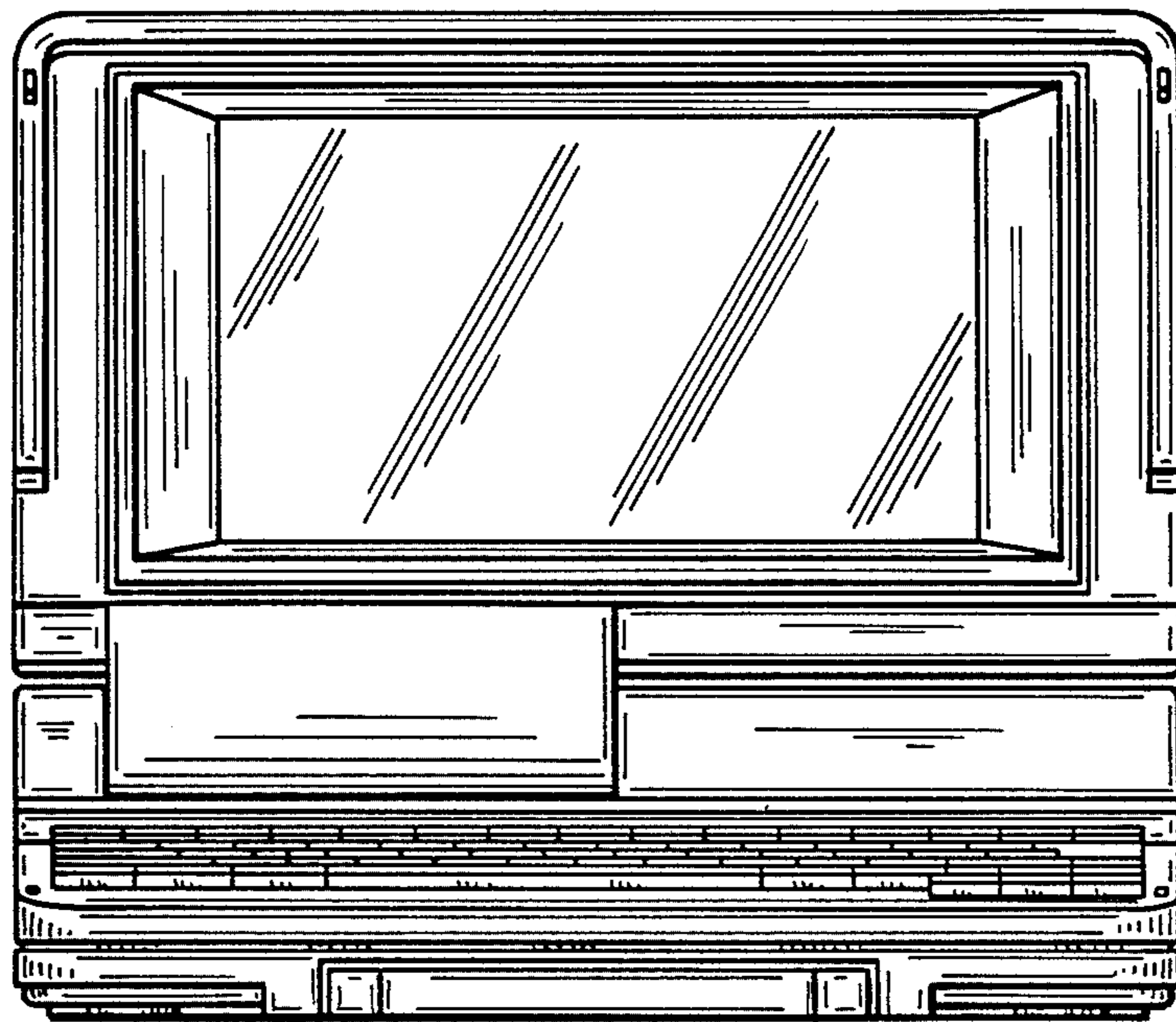




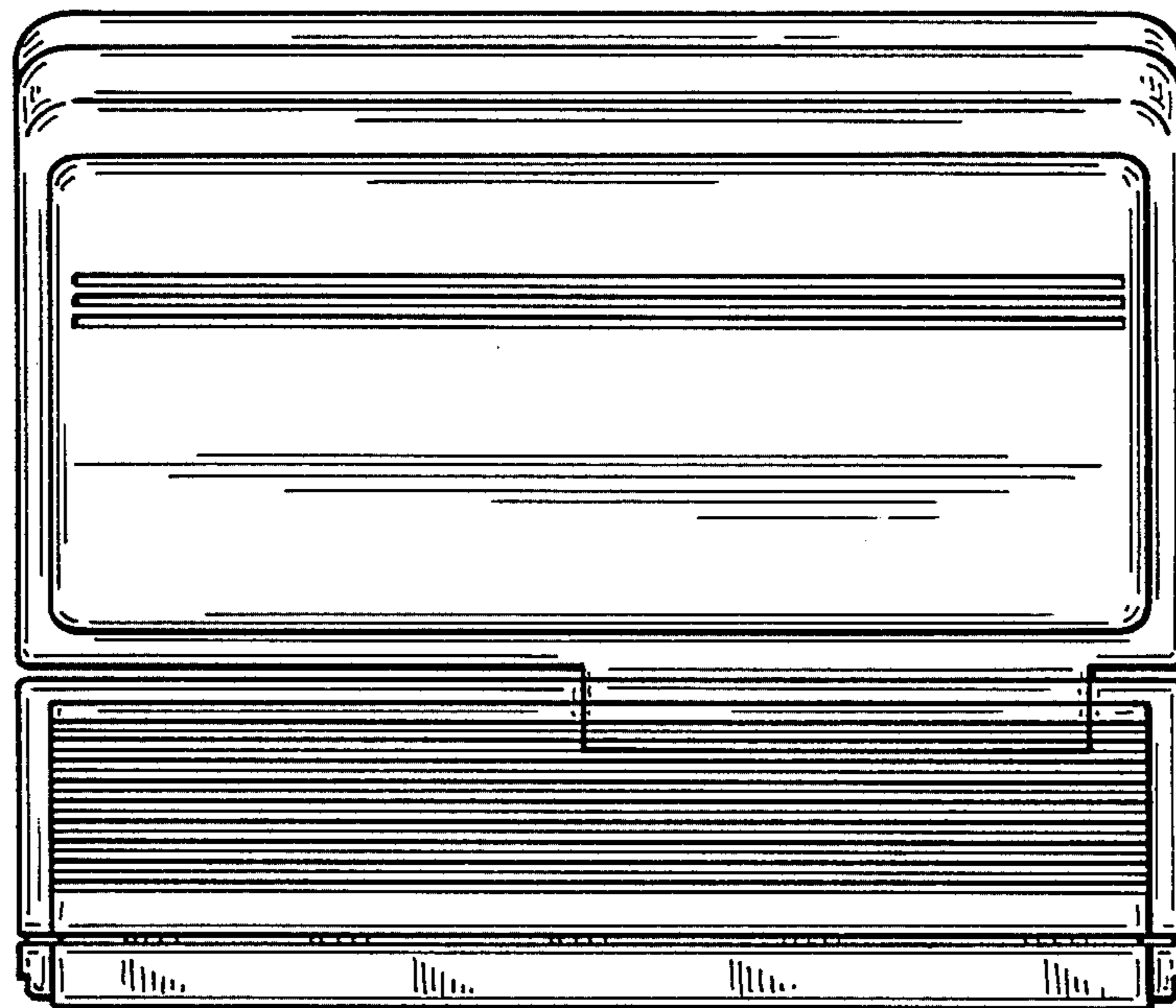
FIG_1



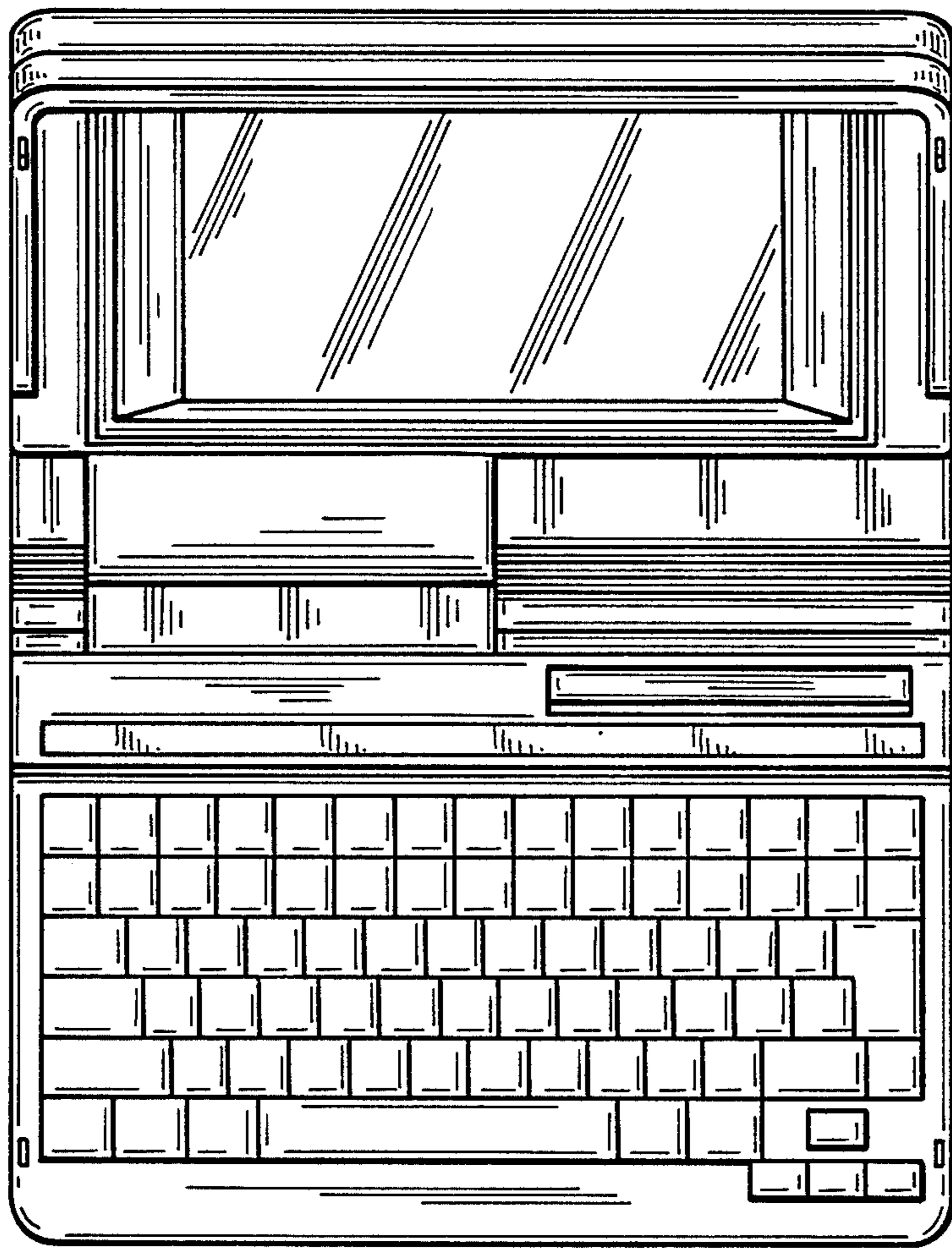
FIG_10



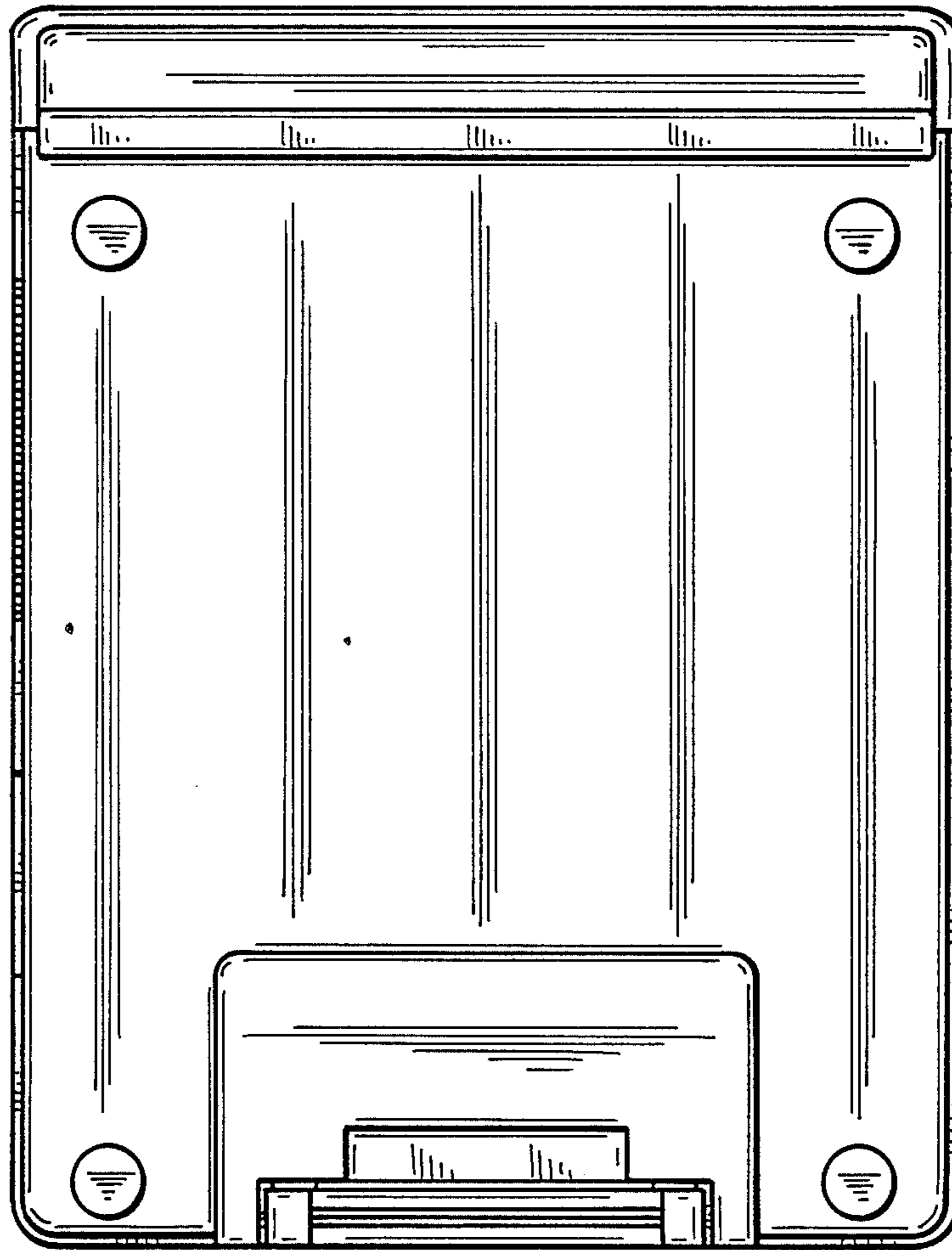
FIG_2



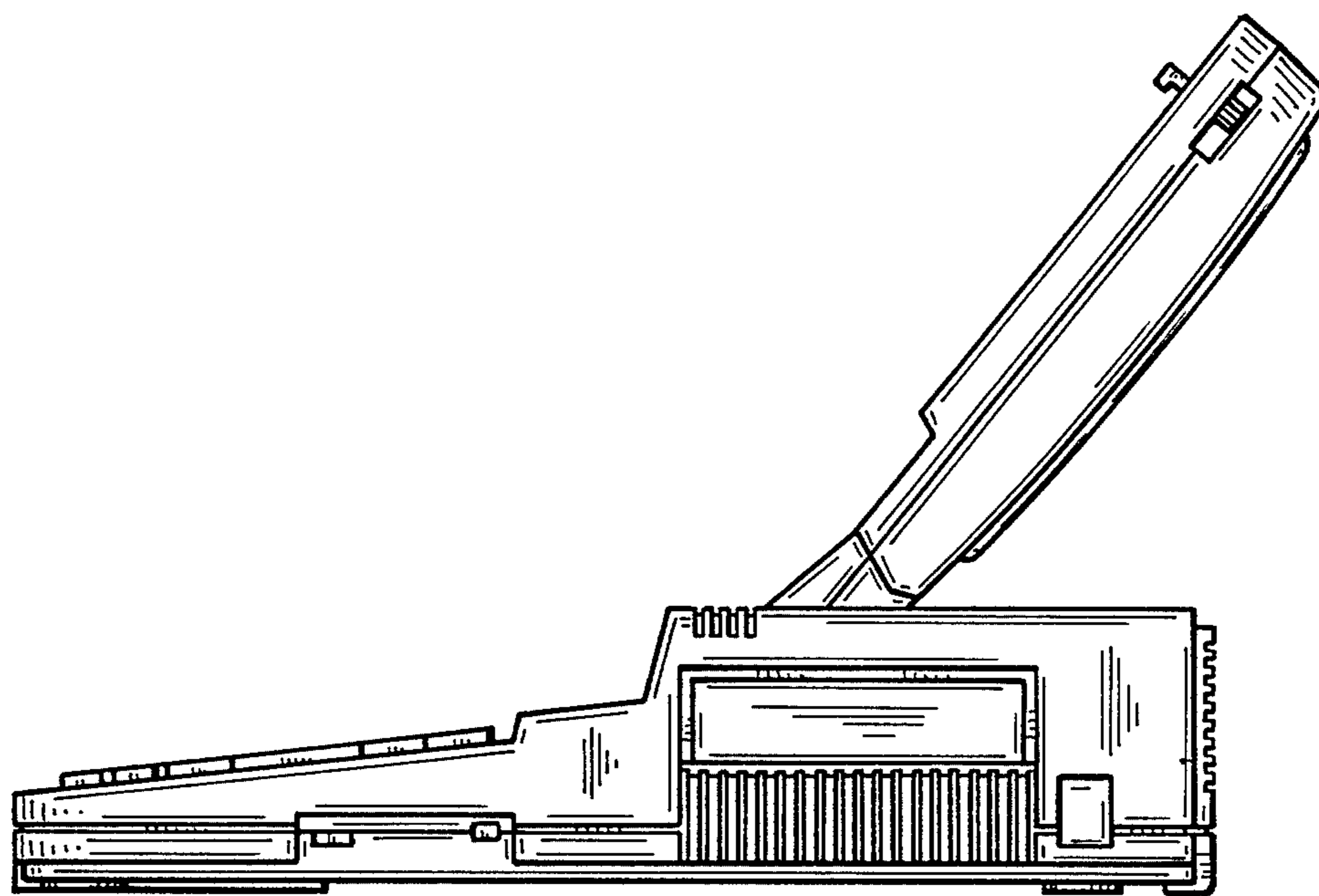
FIG_3



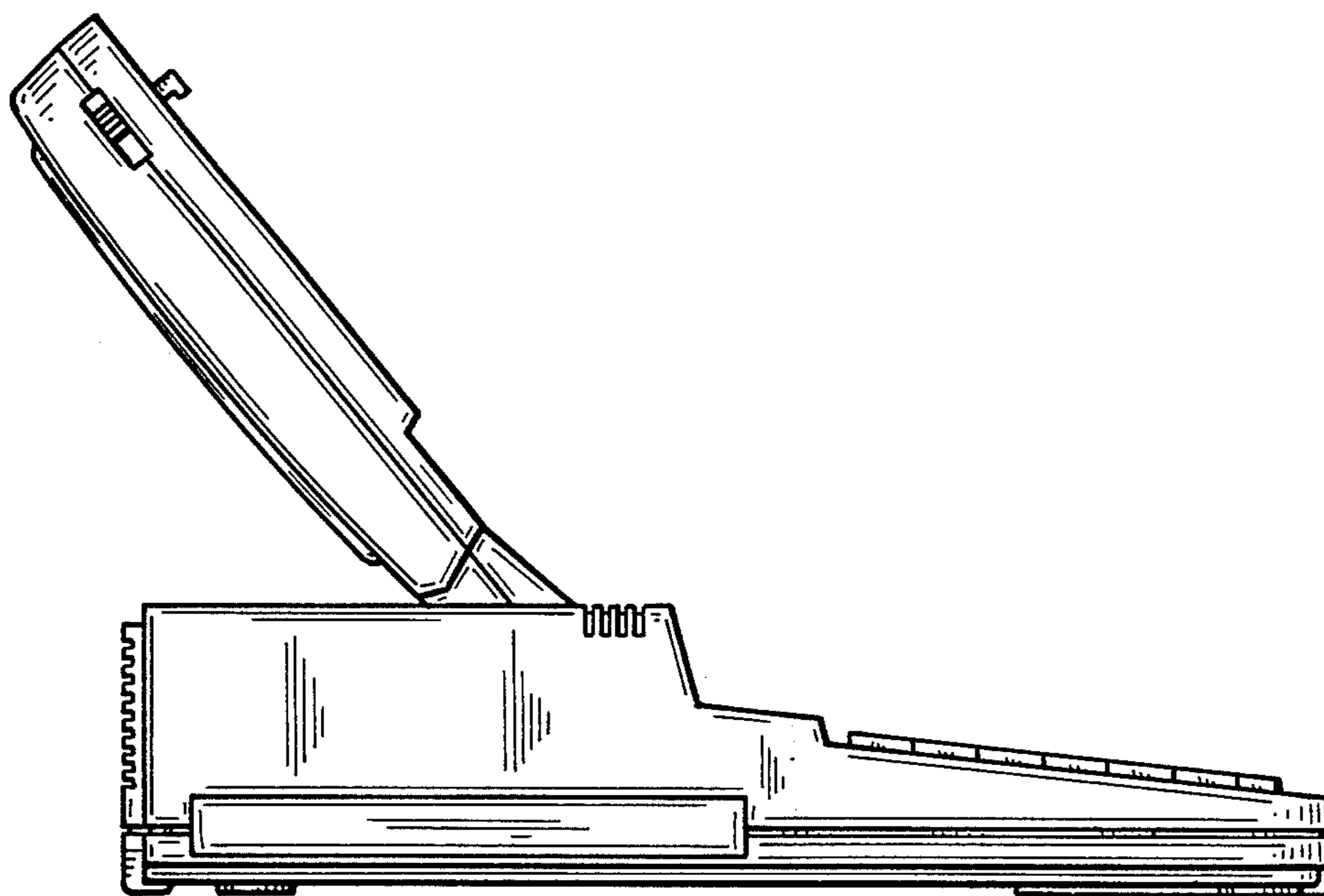
FIG_4



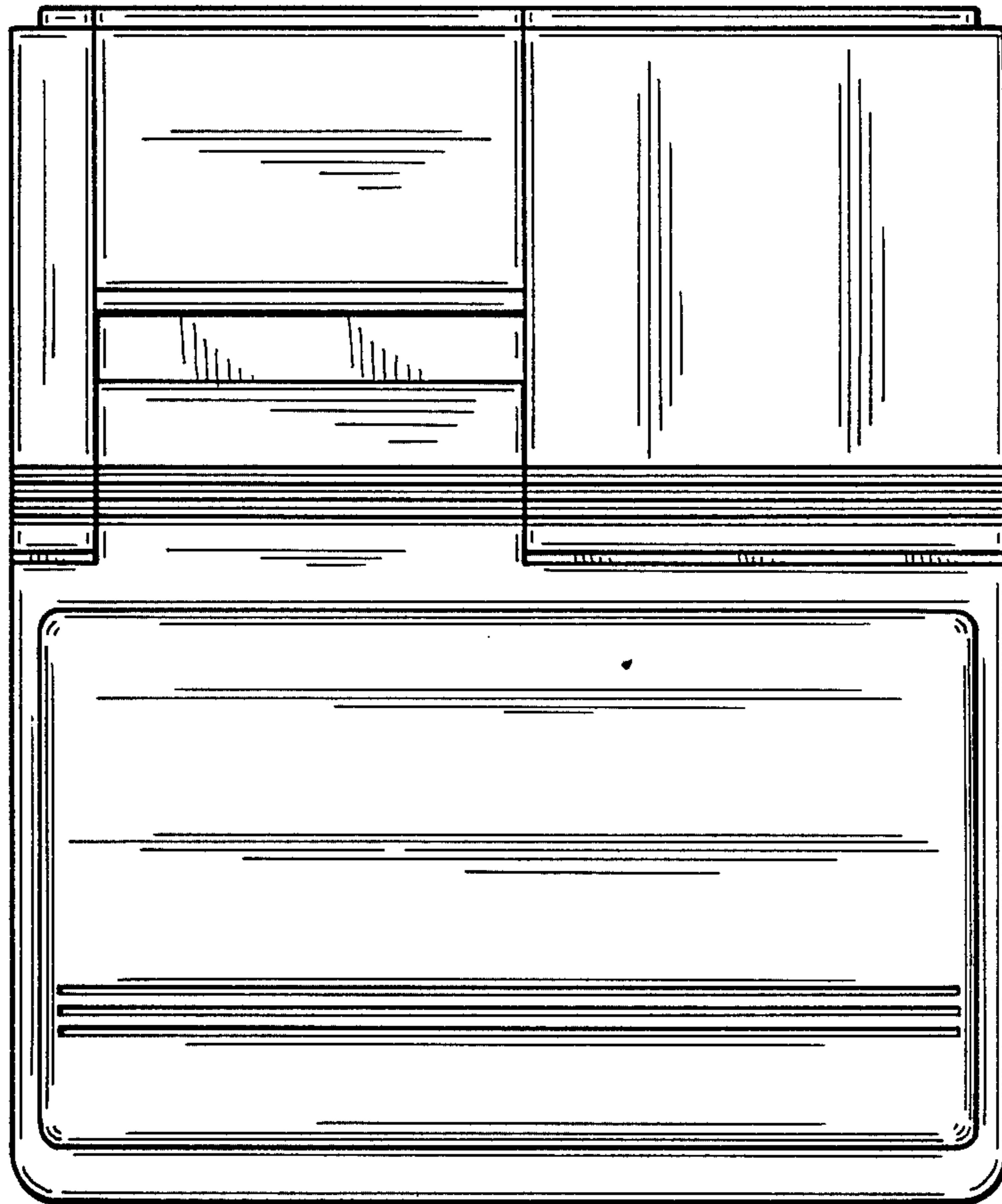
FIG_5



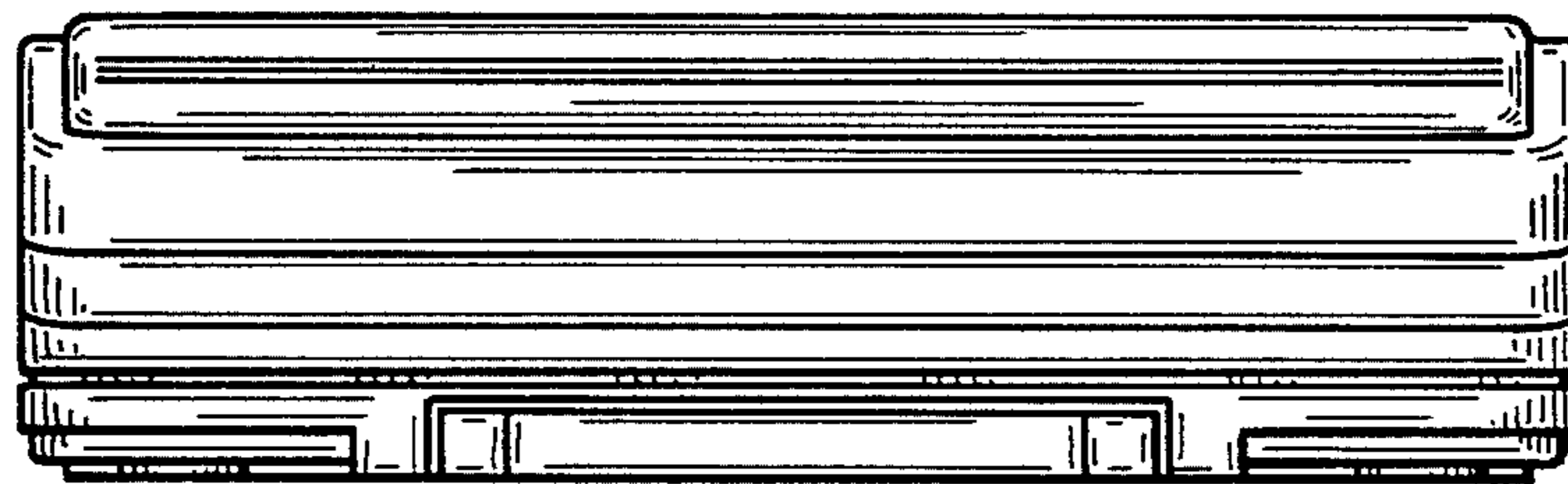
FIG_6



FIG_7



FIG_8



FIG_9