

[54] TELESCOPING AUTOMOBILE DOOR GUARD

[76] Inventor: Wayne E. Bailey, P.O. Box 4, Woodbridge, Va. 22194-0004

[**] Term: 14 Years

[21] Appl. No.: 177,032

[22] Filed: Apr. 4, 1988

[52] U.S. Cl. D12/167

[58] Field of Search D12/190, 167; D25/136; 293/1, 126, 128; 428/31

[56] References Cited

U.S. PATENT DOCUMENTS

D. 217,959	7/1970	Bott	D12/190
3,506,294	4/1970	Newman	293/128
3,659,887	5/1972	Marquette	D12/190
3,752,521	8/1973	Lafebre	293/128
4,220,365	9/1980	Foster et al.	293/128

Primary Examiner—James M. Gandy

Attorney, Agent, or Firm—Richard C. Litman

[57] CLAIM

The ornamental design for a telescoping automobile door guard, as shown and described.

DESCRIPTION

FIG. 1 is a front perspective view of a telescoping automobile door guard showing my new design in position of use on an automobile which is shown in broken lines for illustrative purposes only and forms no part of the claimed design;

FIG. 2 is a greatly enlarged perspective view thereof in exploded condition;

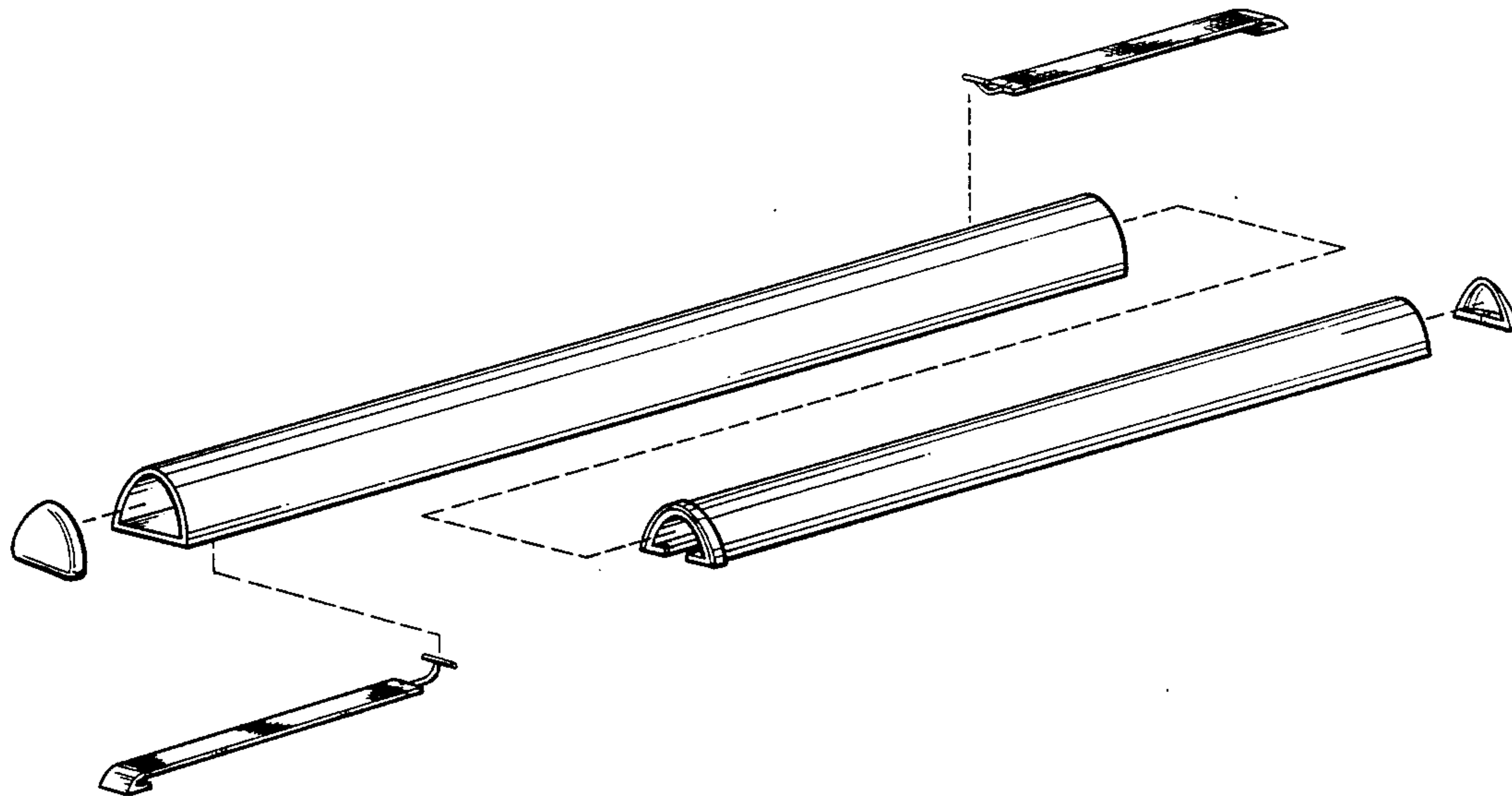
FIG. 3 is an enlarged front elevation view thereof in fully retracted condition;

FIG. 4 is a rear elevation view of FIG. 3;

FIG. 5 is a right end elevation view of FIG. 3;

FIG. 6 is a left end elevation view of FIG. 3; and

FIG. 7 is a rear elevation view of one of the elastic securing members of the door guard shown separately for clarity of illustration.



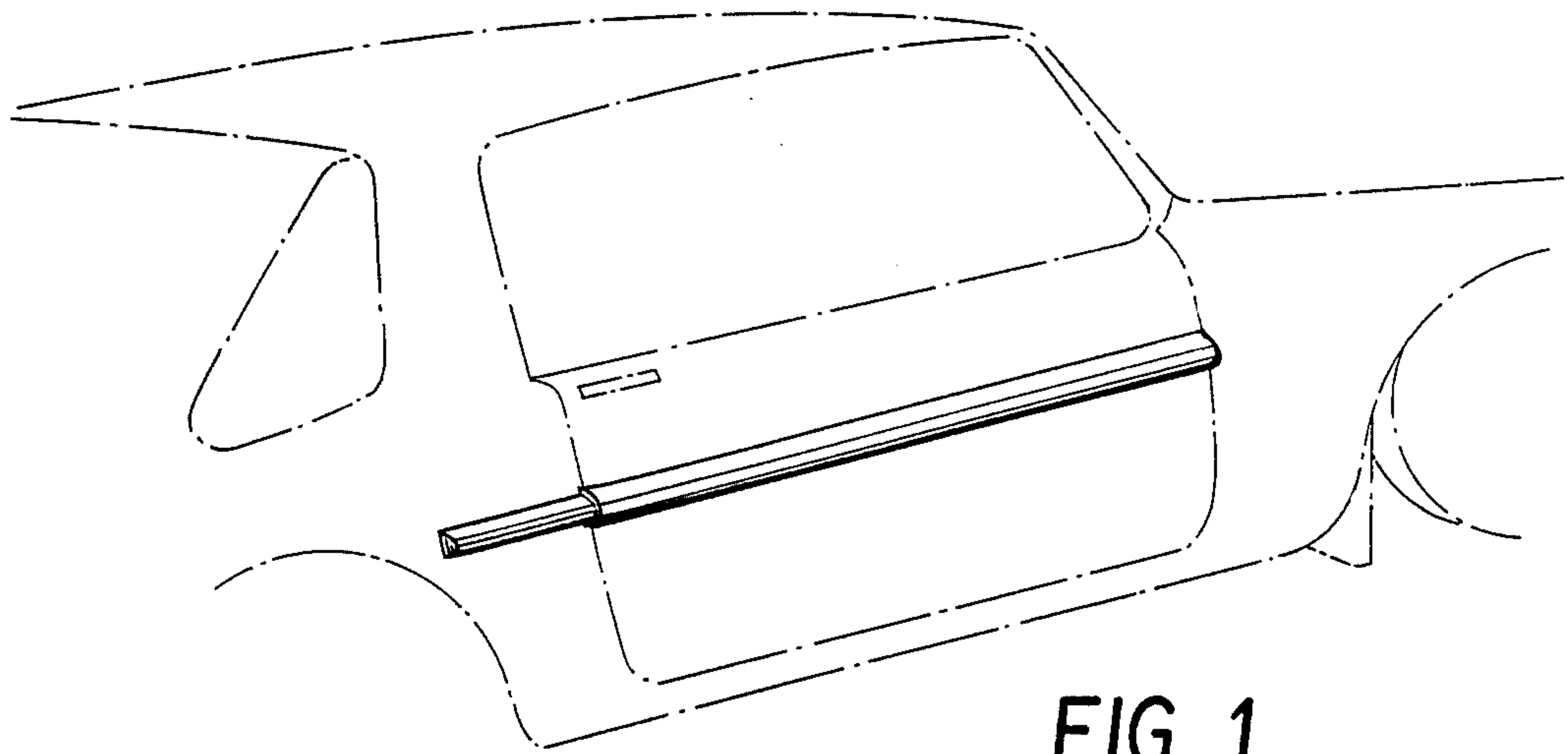


FIG. 1

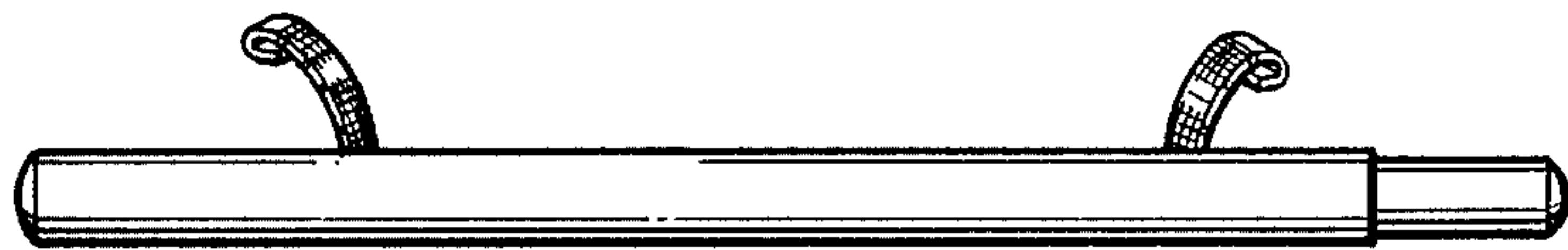


FIG. 3

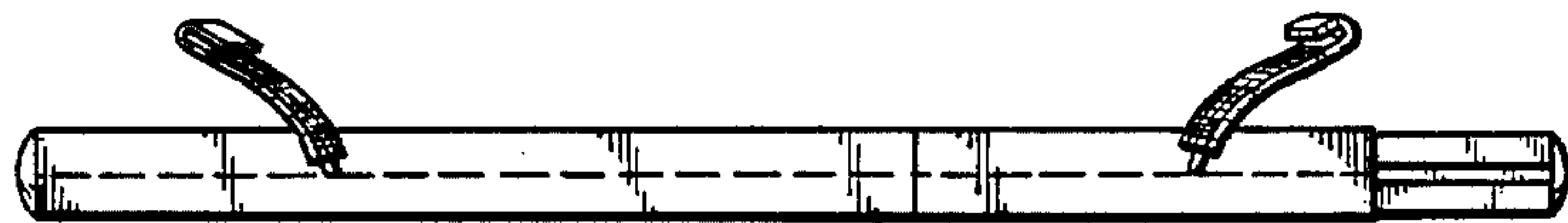


FIG. 4



FIG. 5



FIG. 6



FIG. 7

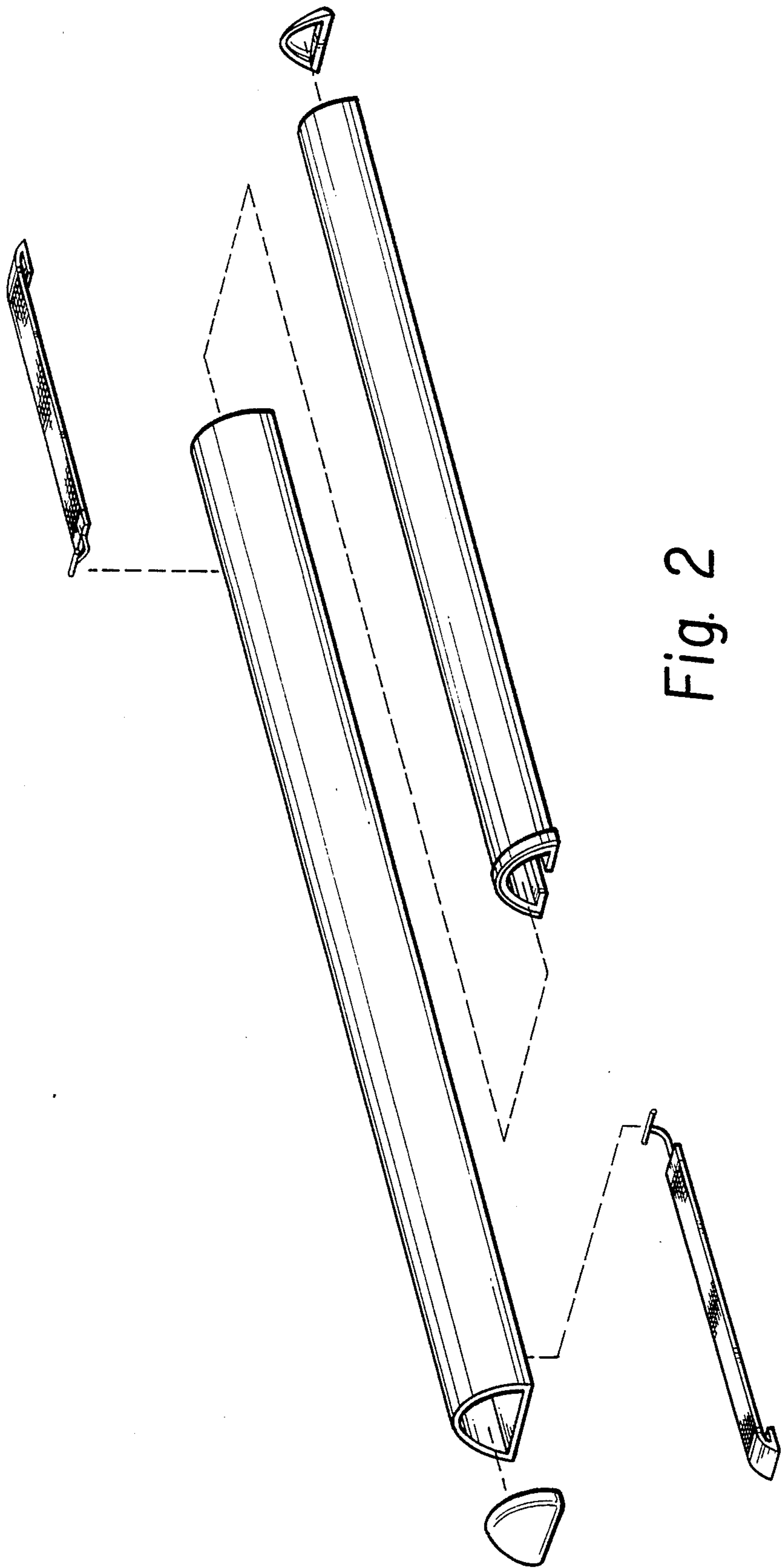


Fig. 2