

[54] FOLDING POLE STRETCHER

[76] Inventors: Glenn F. Hare, 2924 Whispering Winds Dr., Las Vegas, Nev.; Michael Boyden, 1663 Diamond St. #4, San Diego, Calif. 92109

[**] Term: 14 Years

[21] Appl. No.: 114,522

[22] Filed: Oct. 28, 1987

[52] U.S. Cl. D12/128; D12/132

[58] Field of Search D12/128, 132; 5/82 R, 5/81 R, 81 C, 82 B, 82

[56] References Cited

U.S. PATENT DOCUMENTS

D. 301,021	5/1989	Dommerud	D12/128
2,226,306	12/1940	Ettinger	5/82
3,110,912	11/1963	Propst	5/82
3,956,781	5/1976	Reemelin	5/82 R

4,037,871	6/1977	Bourgraf et al.	296/20
4,670,921	6/1987	Auni et al.	5/82 R

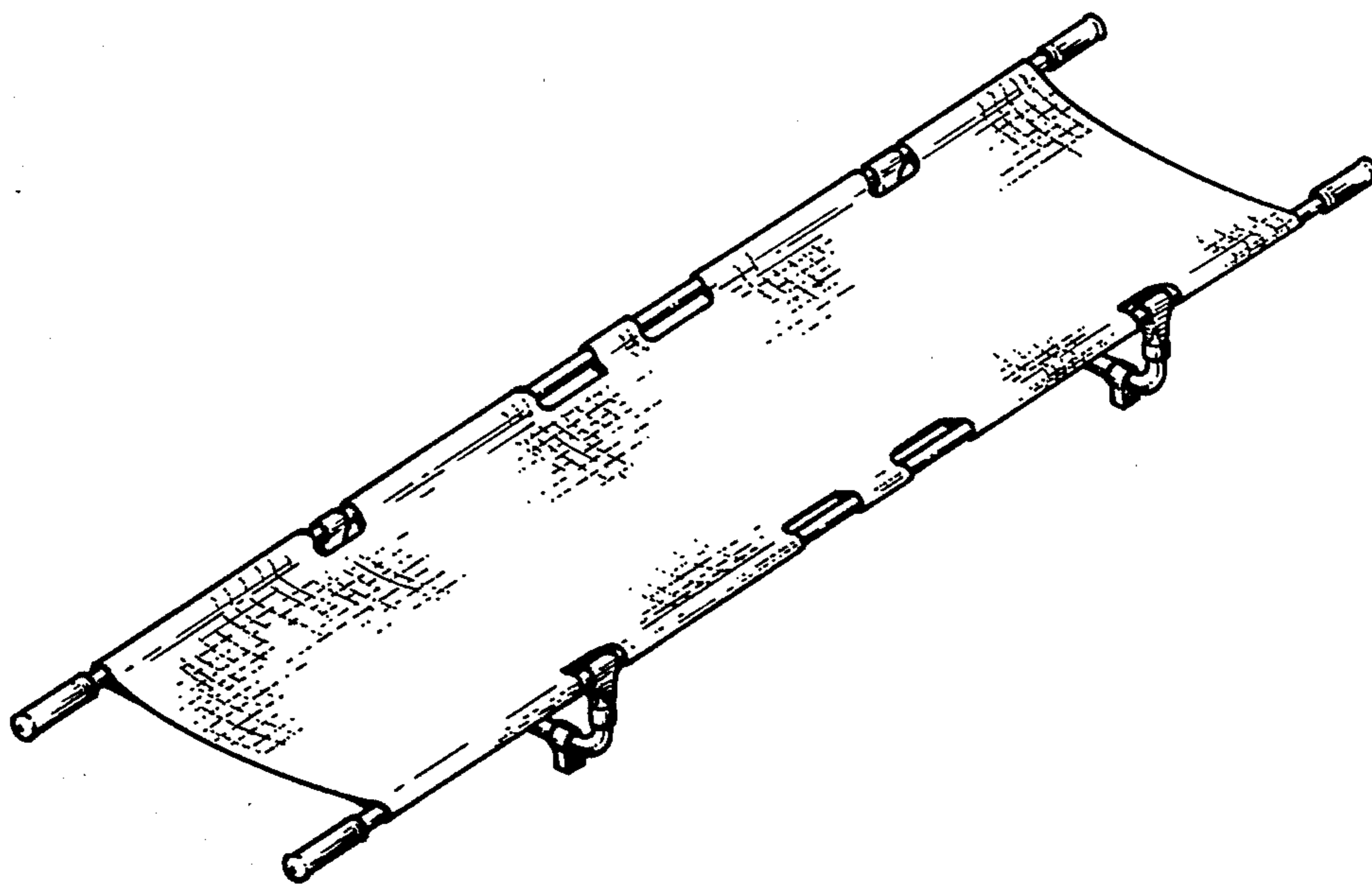
Primary Examiner—Wallace R. Burke
Assistant Examiner—Kay H. Chin
Attorney, Agent, or Firm—Nydegger & Harshman

[57] CLAIM

The ornamental design for a folding pole stretcher, as shown and described.

DESCRIPTION

FIG. 1 is a front elevational view of a folding pole stretcher showing our new design; FIG. 2 is a top plan view thereof; FIG. 3 is a side elevational view thereof, the opposite side view being a mirror image of that shown; FIG. 4 is a top perspective view thereof; FIG. 5 is a bottom perspective view thereof; and FIG. 6 is a perspective view thereof in a folded configuration.



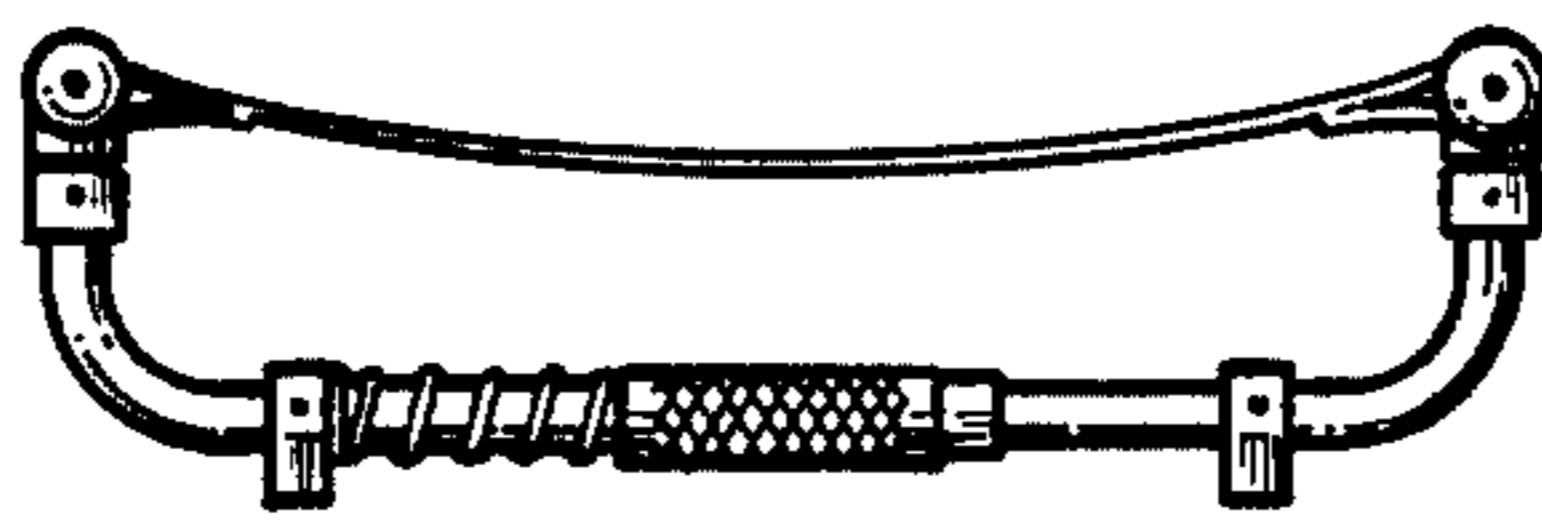


FIG. 1

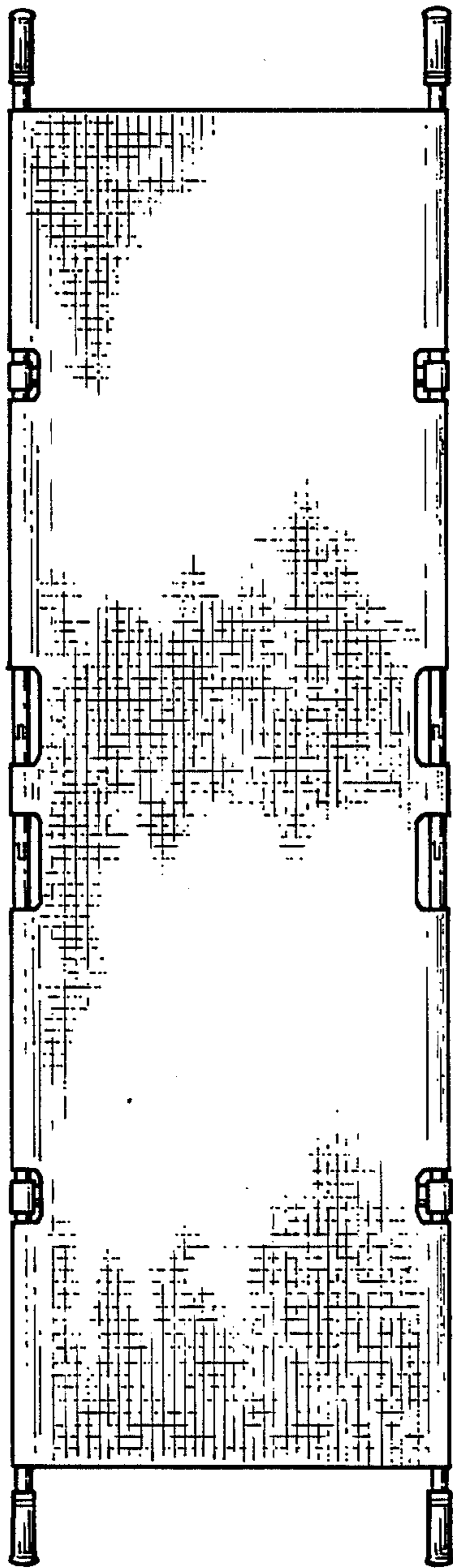


FIG. 2

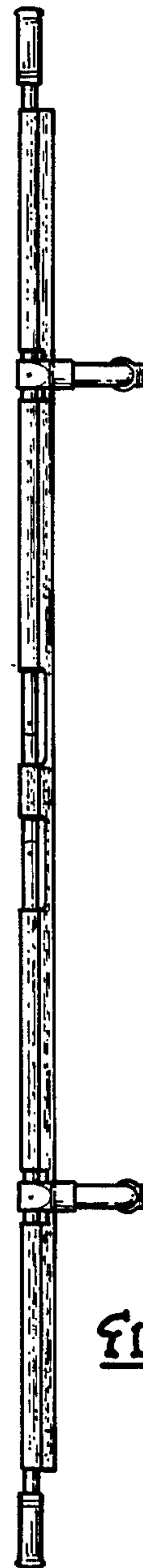


FIG. 3

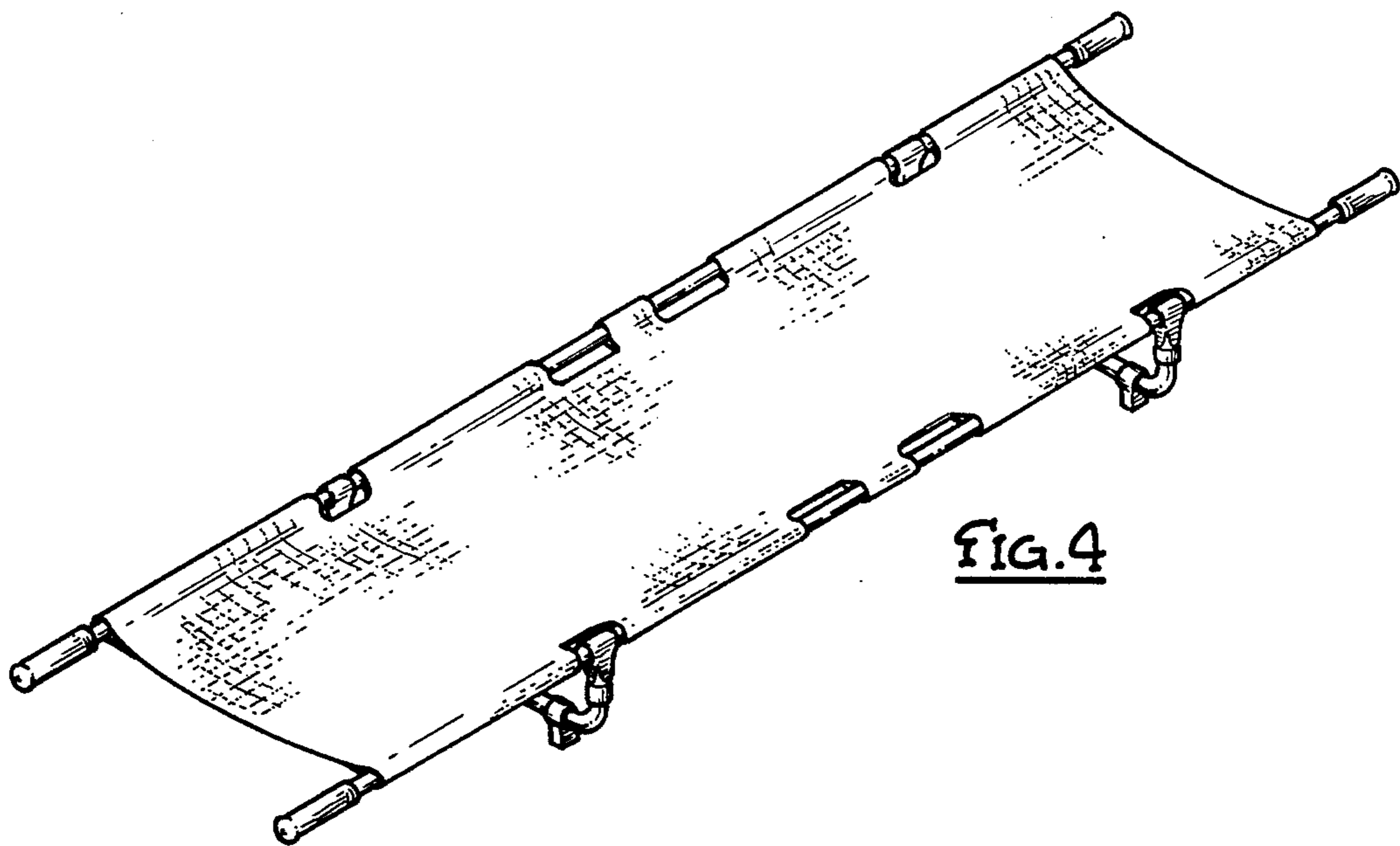


FIG. 4

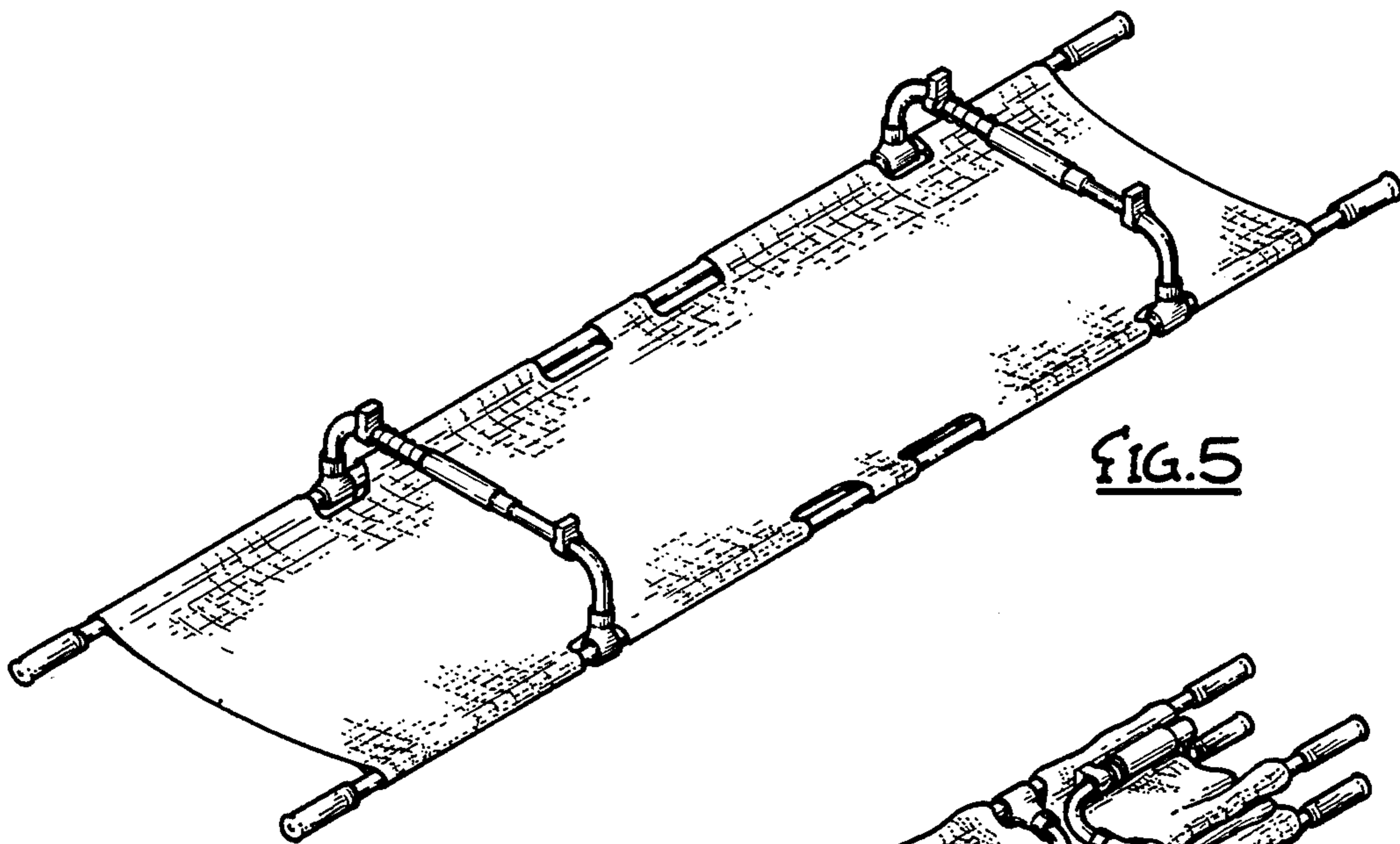


FIG. 5

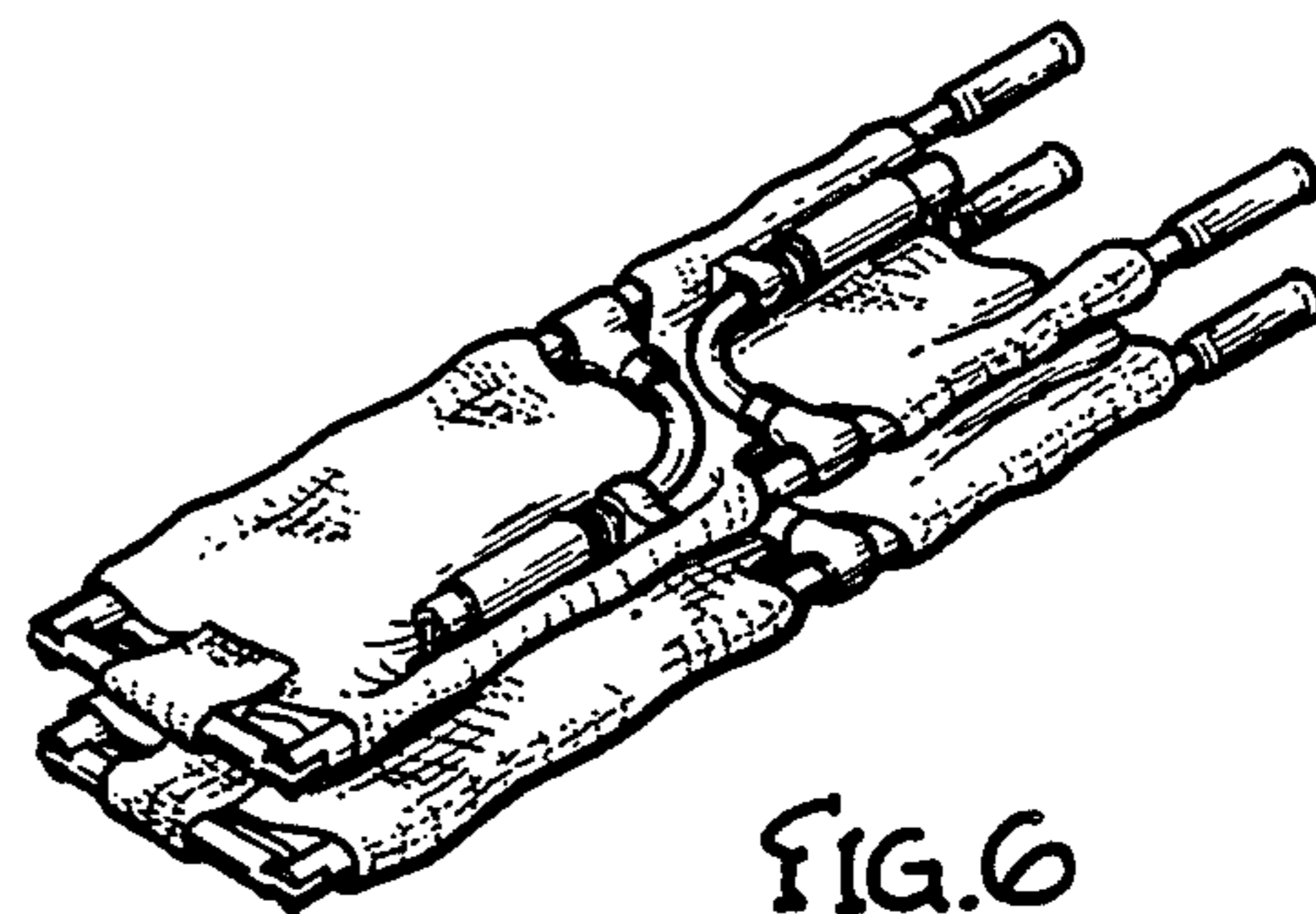


FIG. 6