

[54] **PORTABLE CONTROL HOUSING FOR GAS PURGING SYSTEM**

[75] **Inventors: Jagadisan Krishnamurthy, Mountain View; Noland E. Vogt, Woodside, both of Calif.**

[73] **Assignee: Semi-jGas Systems, Inc., San Jose, Calif.**

[\*\*] **Term: 14 Years**

[21] **Appl. No.: 76,554**

[22] **Filed: Jul. 22, 1987**

[52] **U.S. Cl. .... D10/81**

[58] **Field of Search .... D10/81; D13/35; D14/111; D24/1.1, 17, 21, 81; 55/97, 98, 99, 105, 106, 220, 270, 279, DIG. 34; 73/19, 23-30; 128/635; 340/500, 540, 603, 632, 633, 634, 697, 825.06, 825.1-825.18, 825.29, 825.36, 825.37; 422/62, 98, 104, 105, 119**

[56] **References Cited**

**U.S. PATENT DOCUMENTS**

Re. 28,915 7/1976 Ogden et al. .... 340/634 X

D. 206,458 12/1966 Canterbury ..... D10/81  
D. 238,181 12/1975 Roller ..... D13/35  
D. 275,851 10/1984 Bambeck ..... D13/35  
D. 282,531 2/1986 Schmidt et al. .... D10/81 X  
D. 296,823 7/1988 Kuwa et al. .... D10/81 X  
4,562,723 1/1986 Hubner ..... 340/633 X  
4,816,822 3/1989 Vache et al. .... 340/825.15

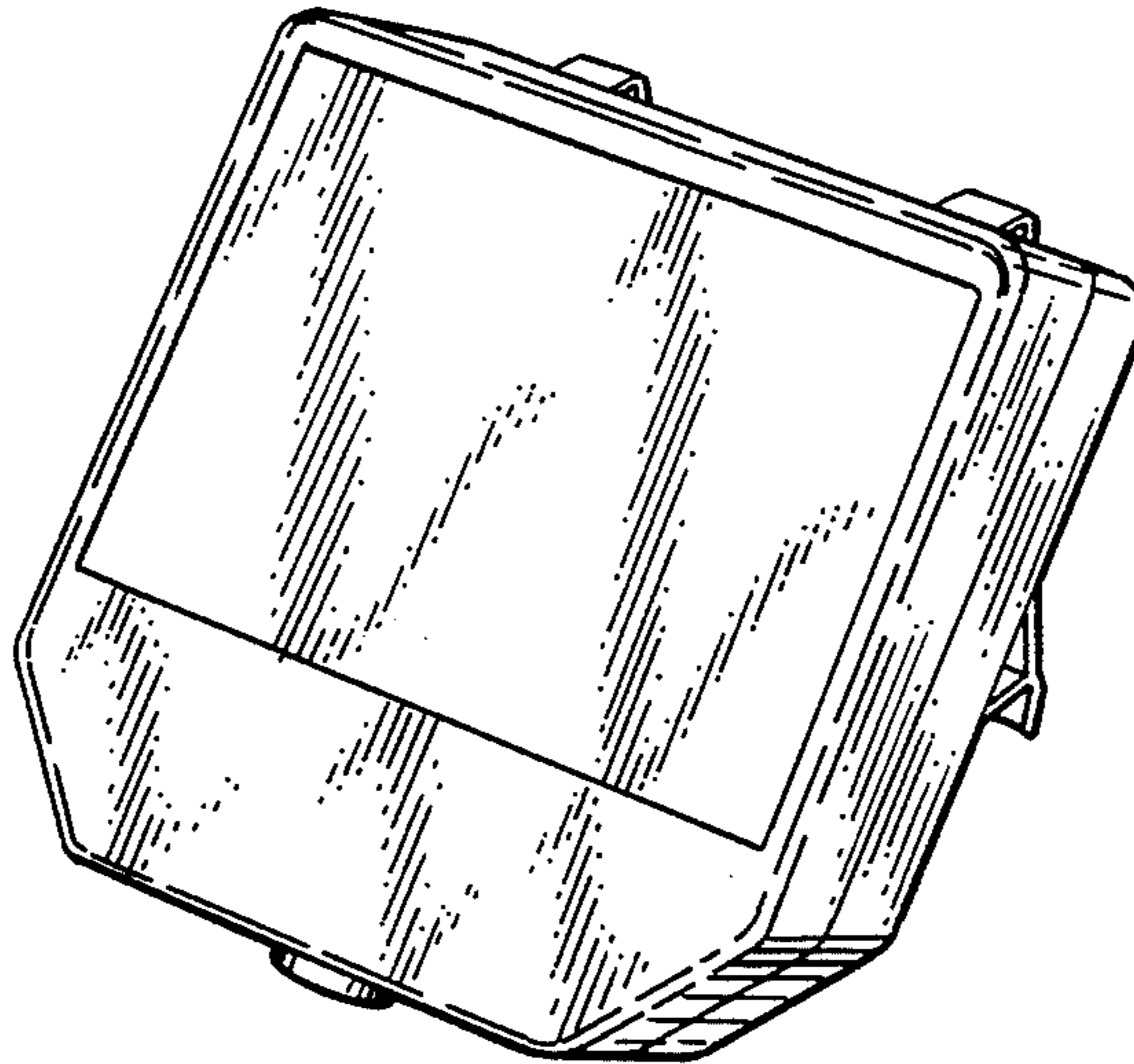
*Primary Examiner*—Nelson C. Holtje  
*Assistant Examiner*—Antoine D. Davis  
*Attorney, Agent, or Firm*—Thomas E. Schatzel

[57] **CLAIM**

The ornamental design for a portable control housing for a gas purging system, as shown and described.

**DESCRIPTION**

FIG. 1 is a top, front, and right side perspective view of a portable control housing for a gas purging system showing our new design;  
FIG. 2 is a left side elevational view, the right side elevational view being a mirror image;  
FIG. 3 is a front elevational view;  
FIG. 4 is a rear elevational view;  
FIG. 5 is a top plan view; and  
FIG. 6 is a bottom plan view thereof.



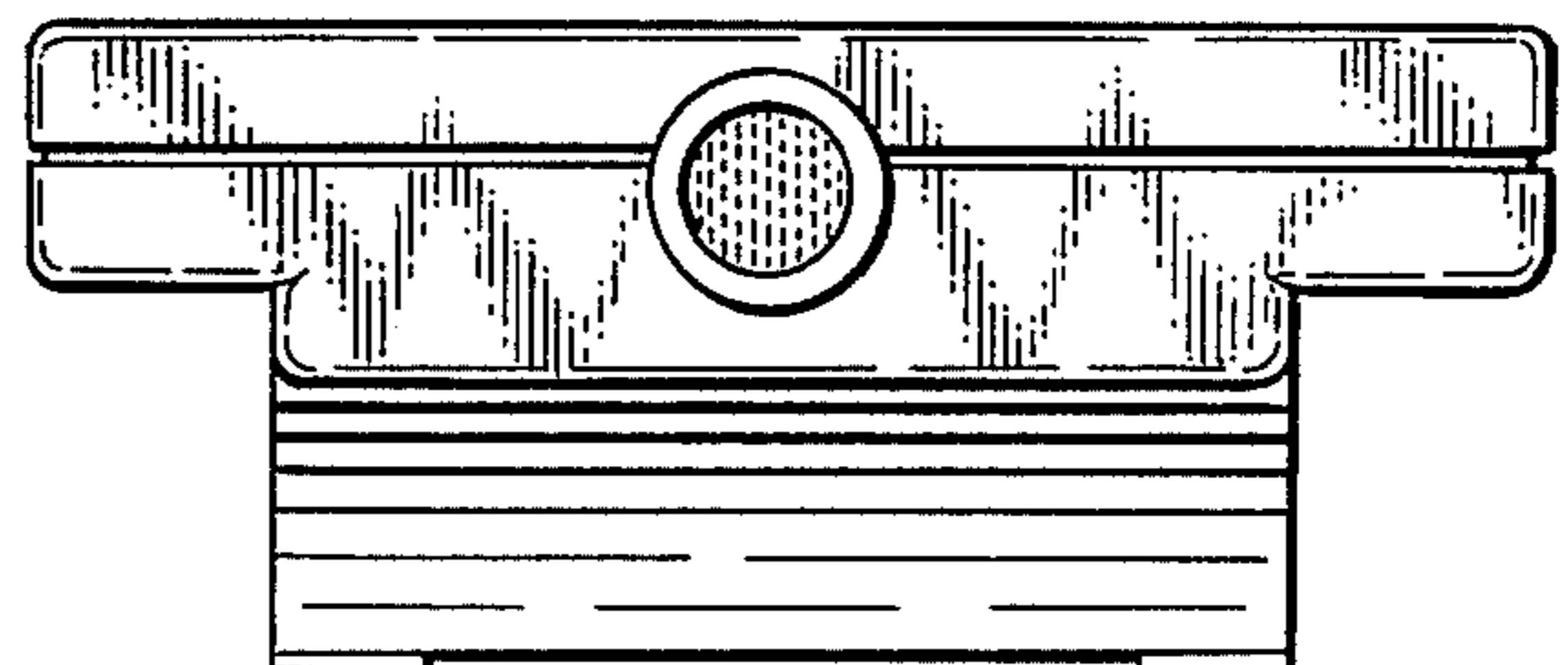
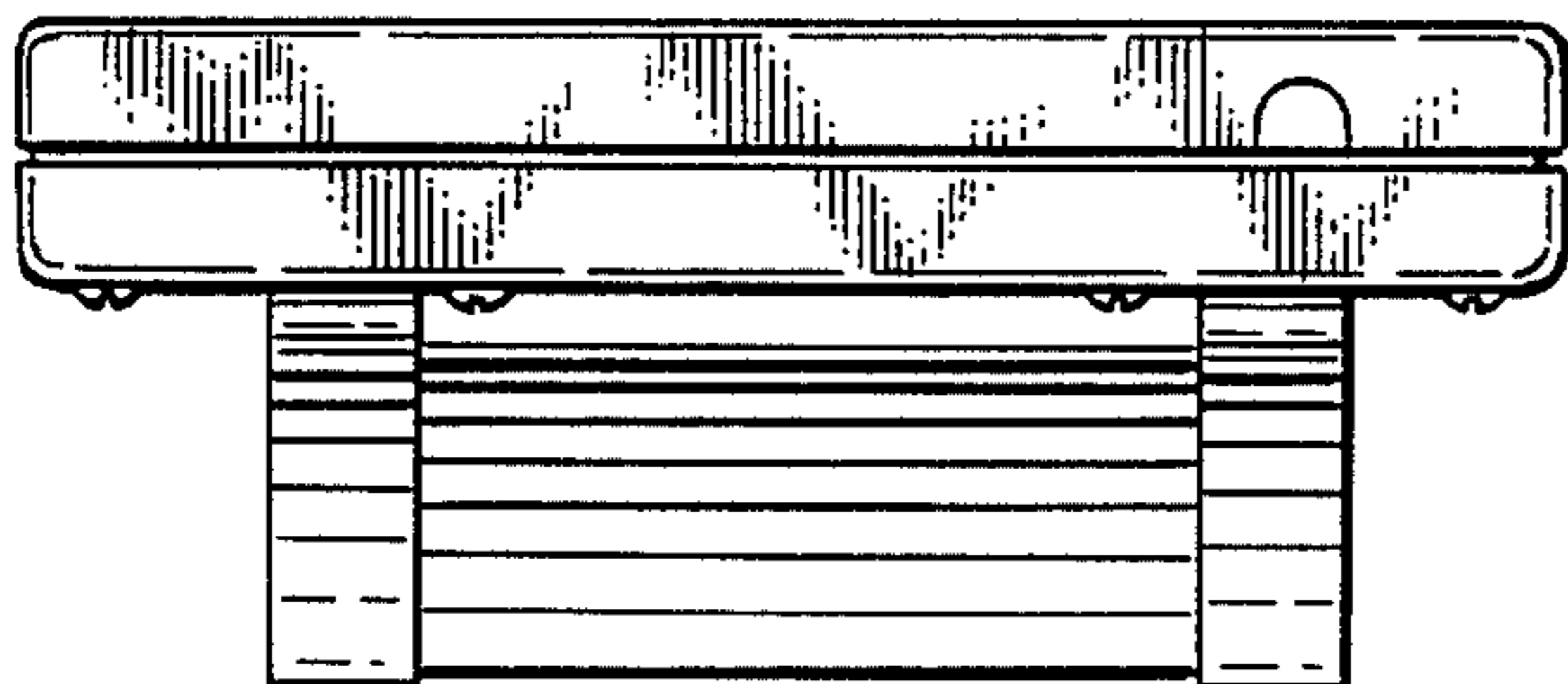
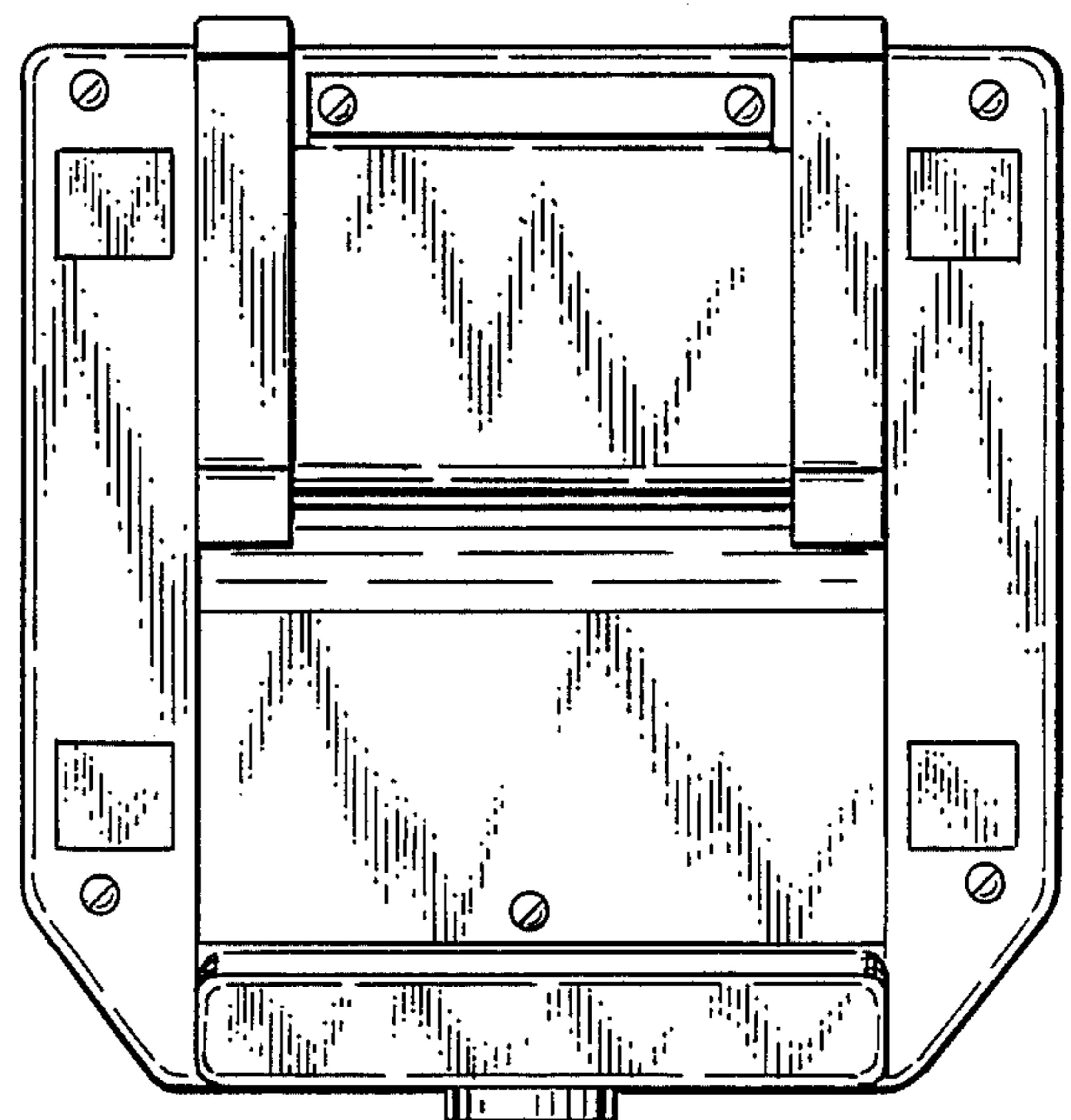
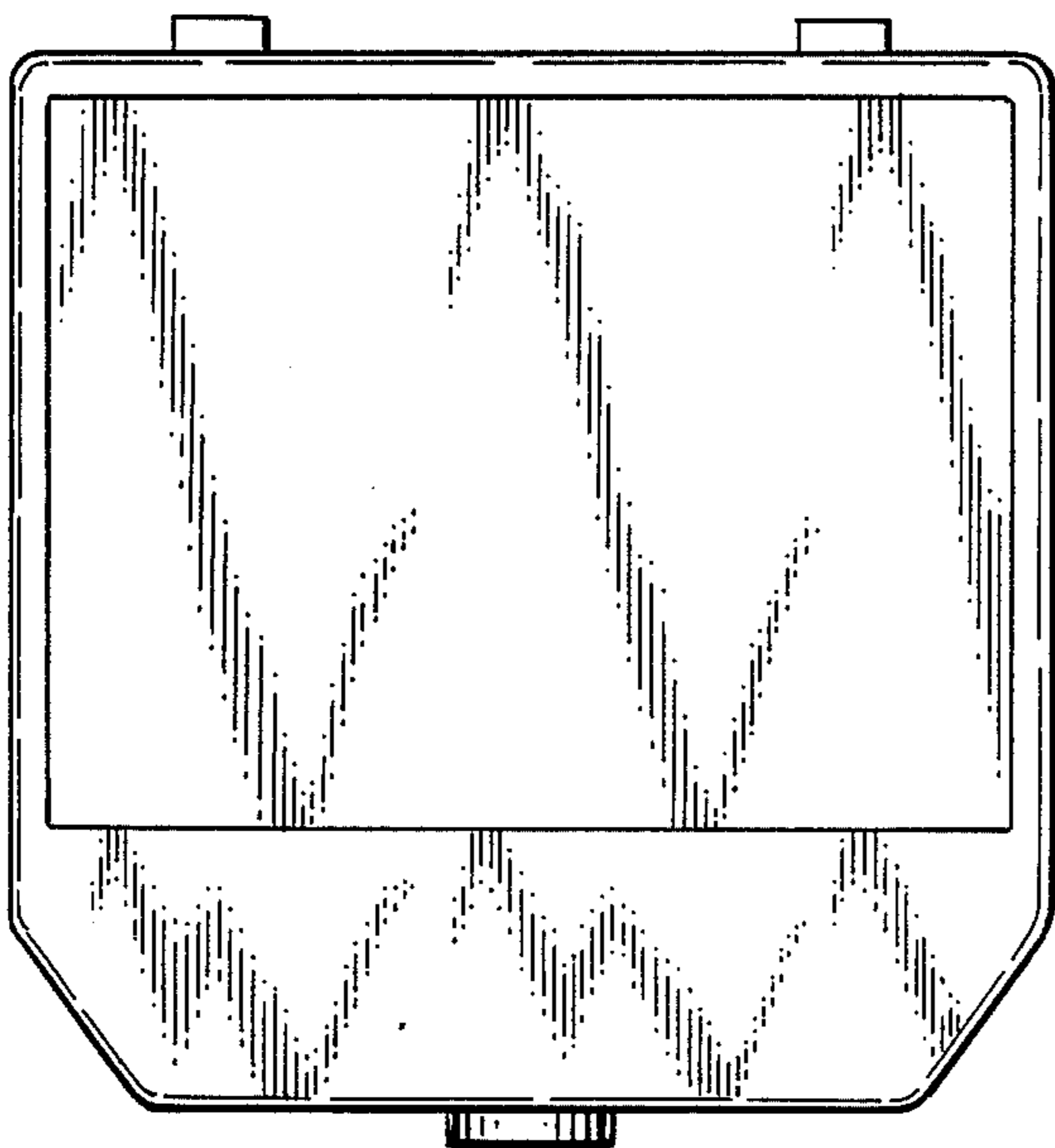
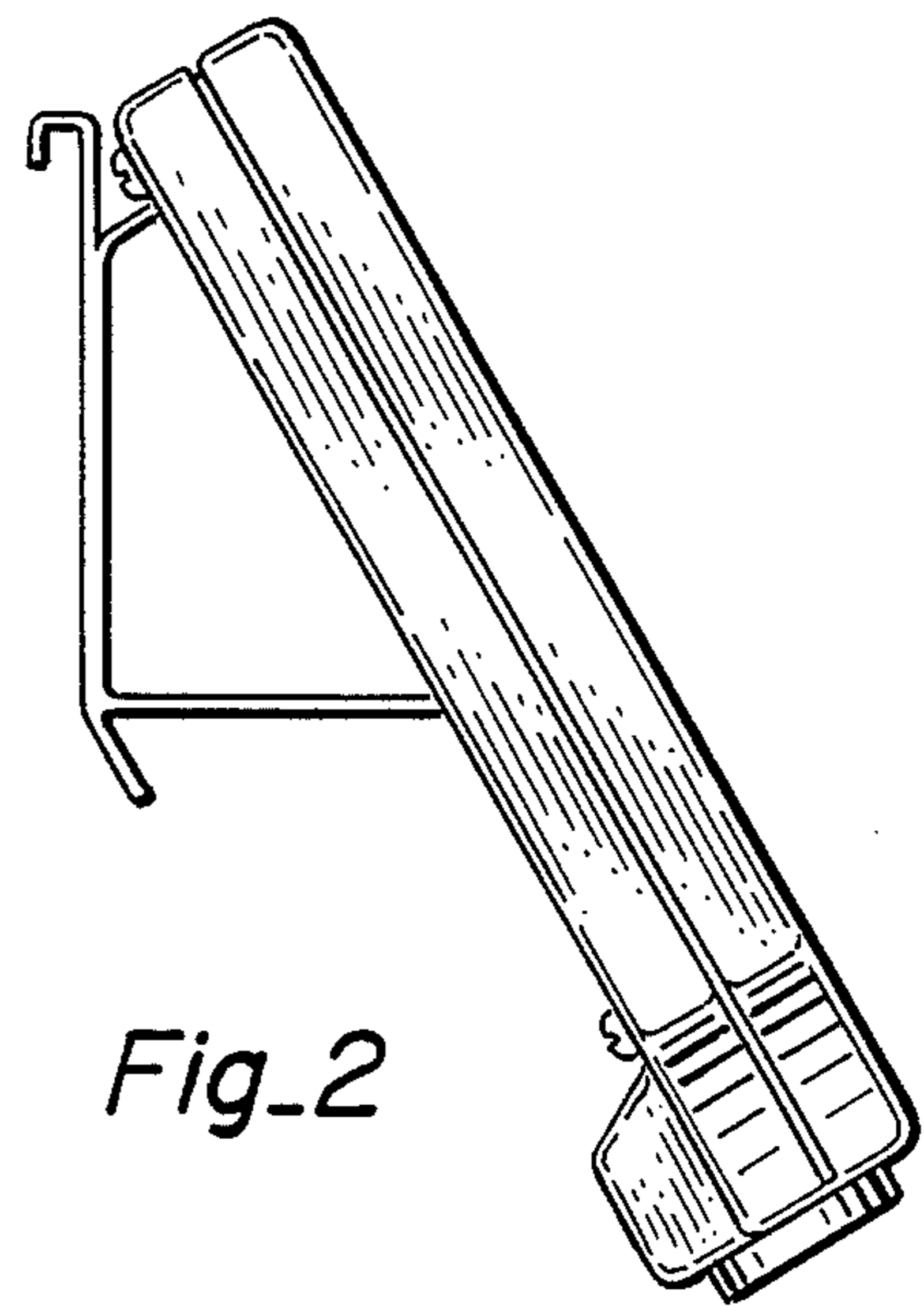
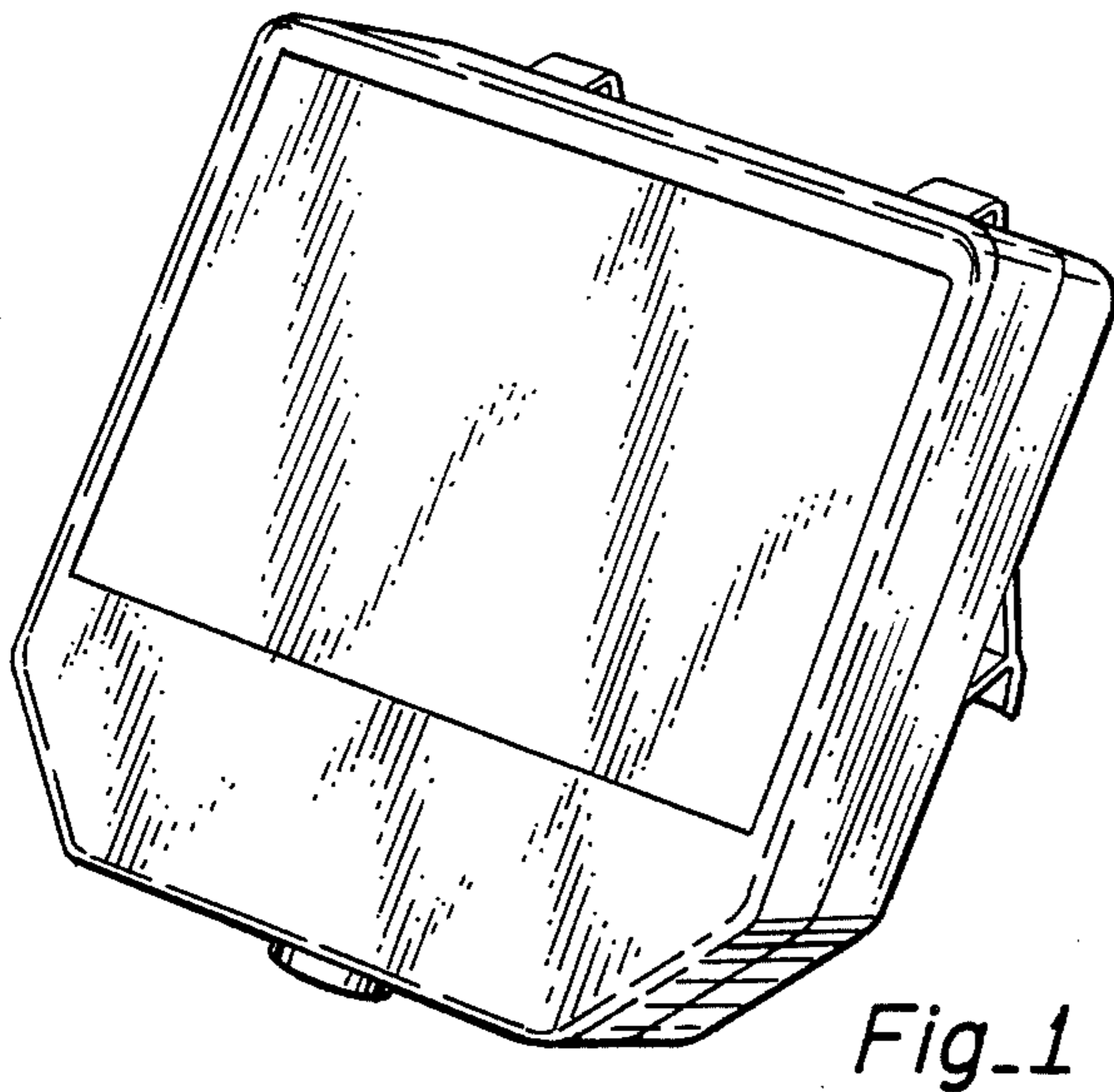


Fig. 5

Fig. 6

UNITED STATES PATENT AND TRADEMARK OFFICE  
**CERTIFICATE OF CORRECTION**

PATENT NO. : DES. 309,584

DATED : JULY 31, 1990

INVENTOR(S) : JAGADISAN KRISHNAMURTHY; NOLAND E. VOGT

It is certified that error appears in the above-identified patent and that said Letters Patent is hereby corrected as shown below:

First page, column 1, name of Assignee reads:  
Semi-jGas Systems, Inc. - Should read "Semi-Gas Systems, Inc."

**Signed and Sealed this  
Twenty-ninth Day of October, 1991**

*Attest:*

HARRY F. MANBECK, JR.

*Attesting Officer*

*Commissioner of Patents and Trademarks*